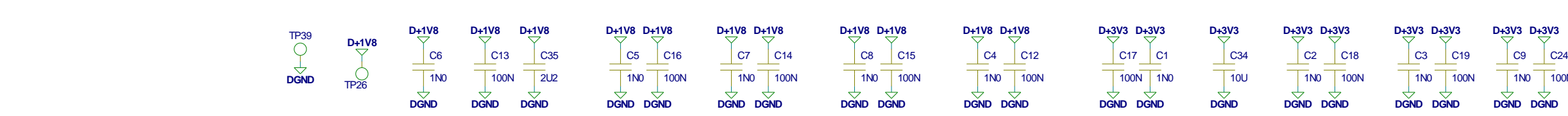
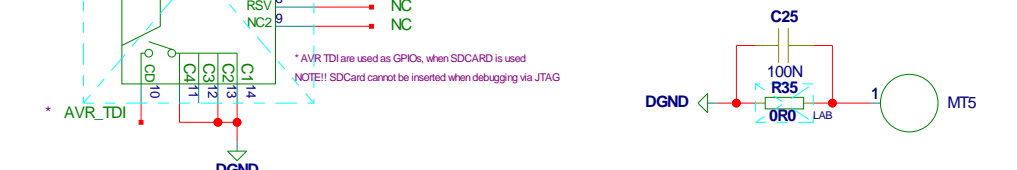
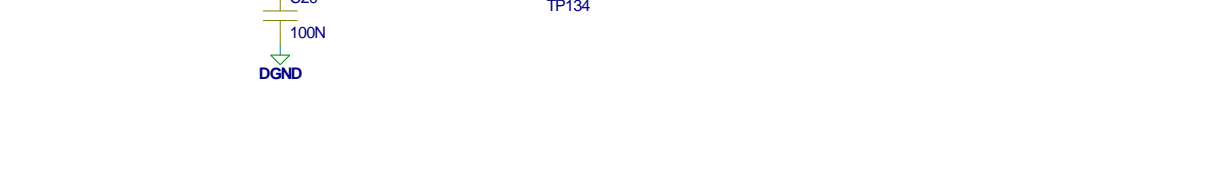
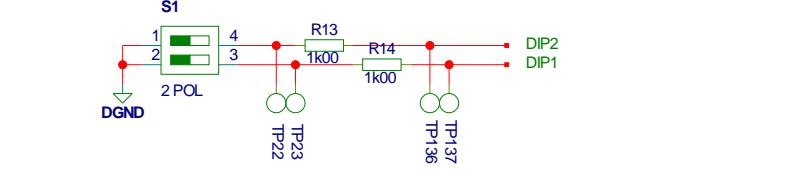
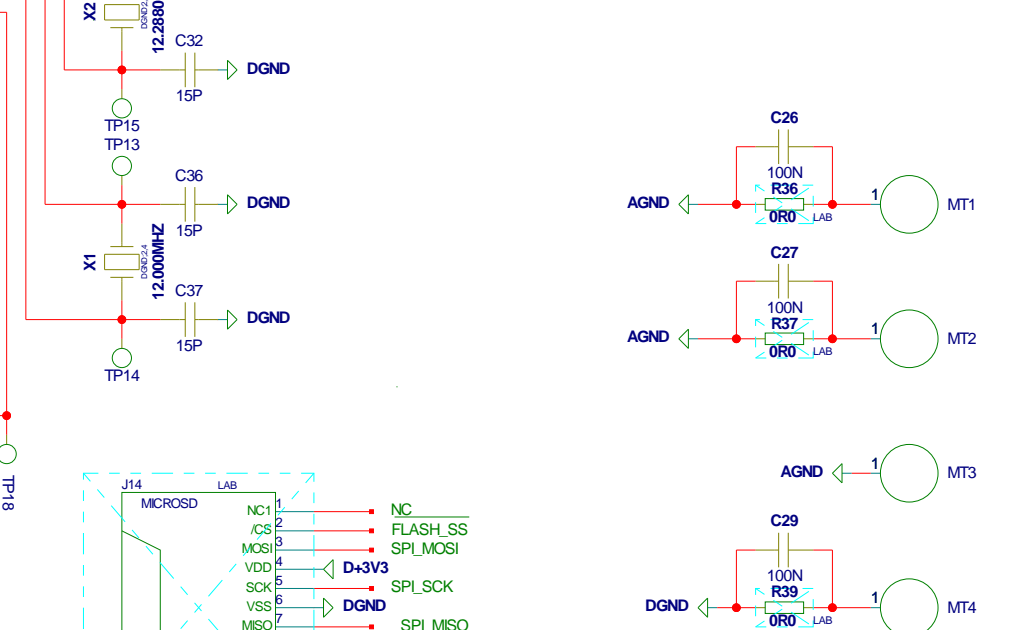
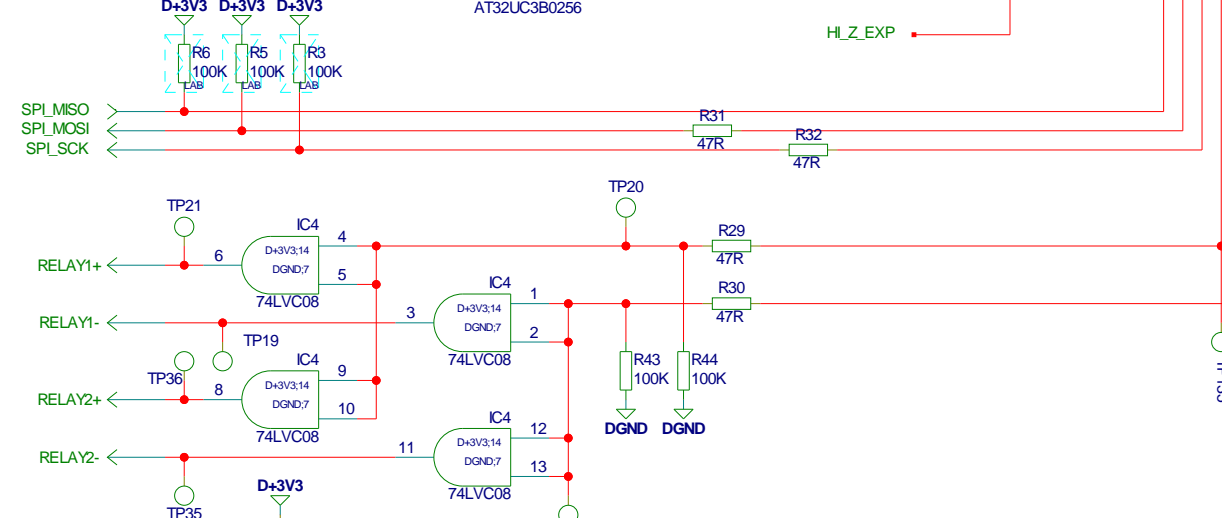
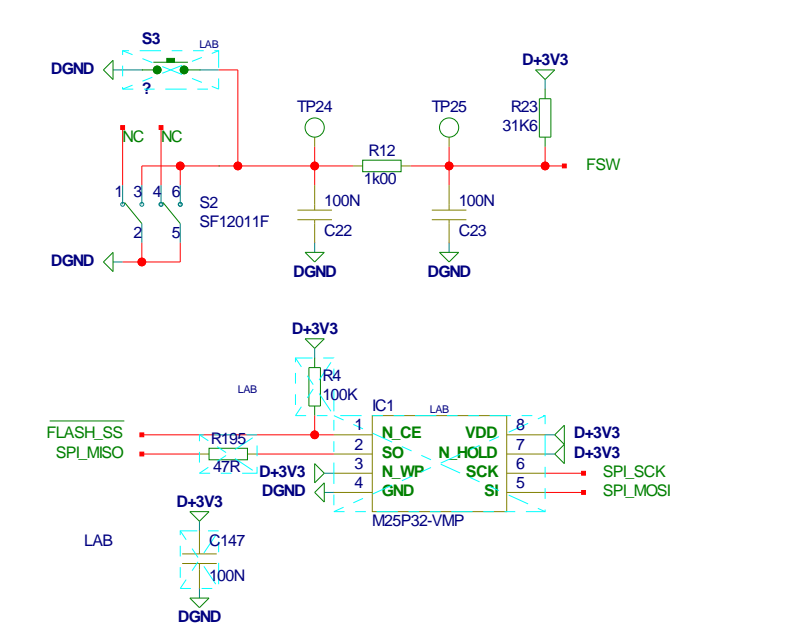
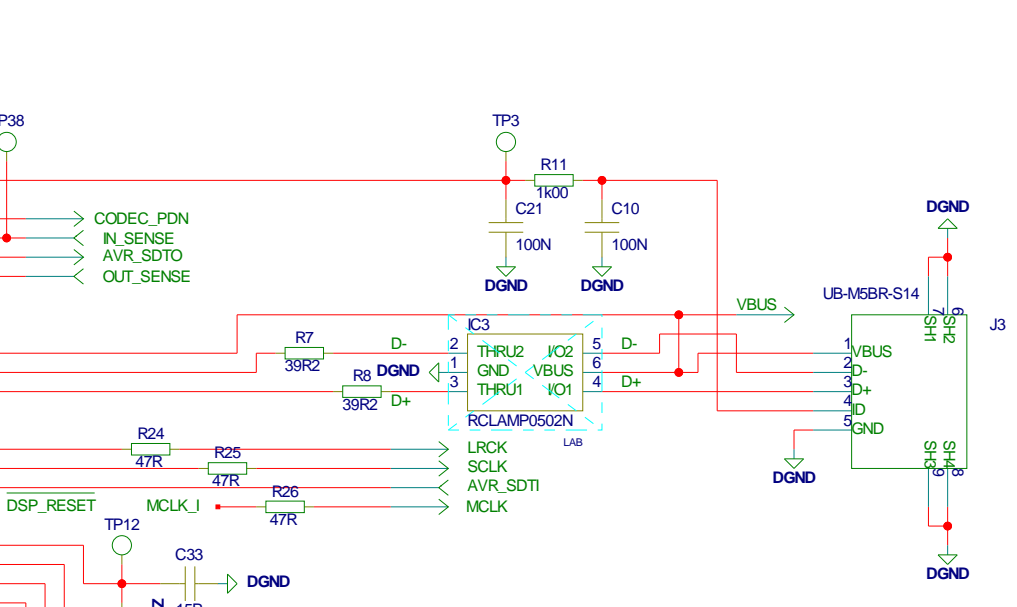
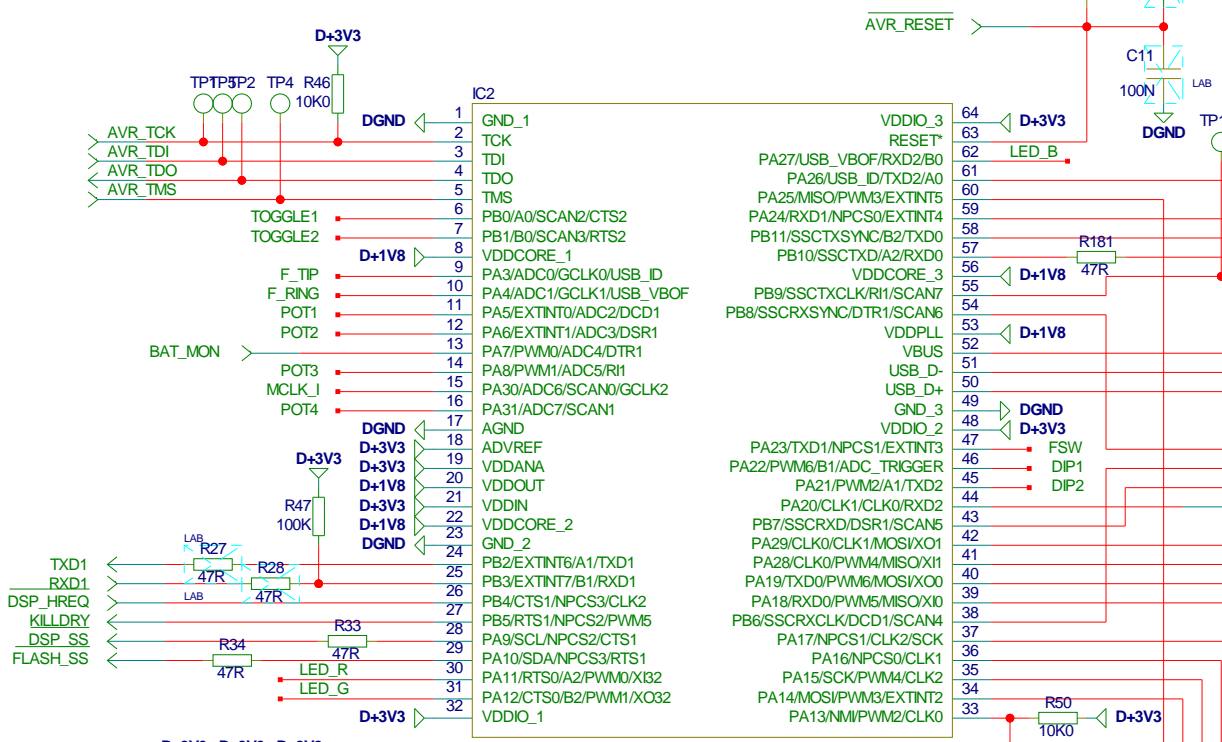
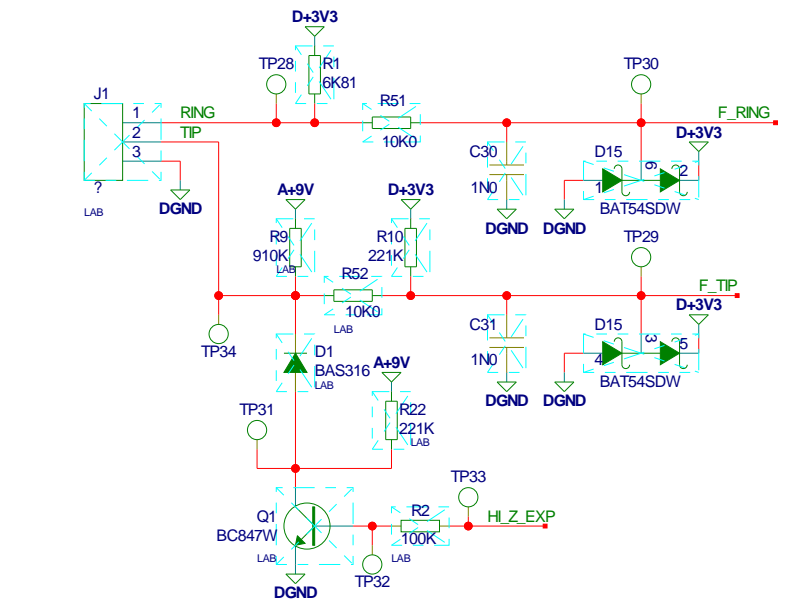
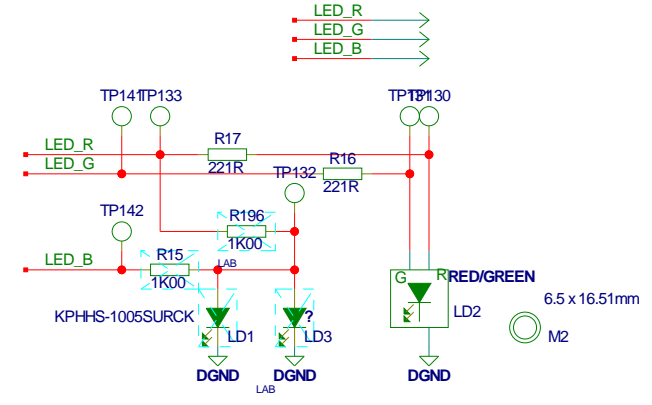
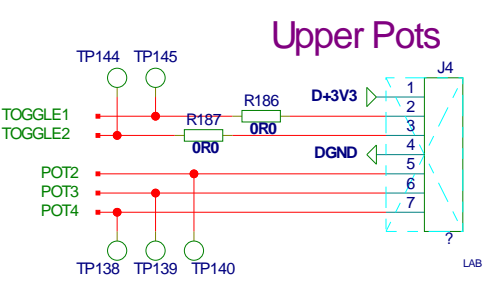
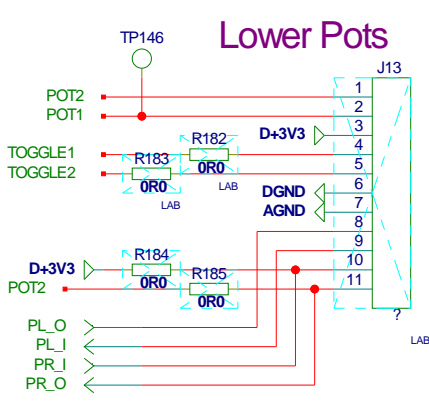


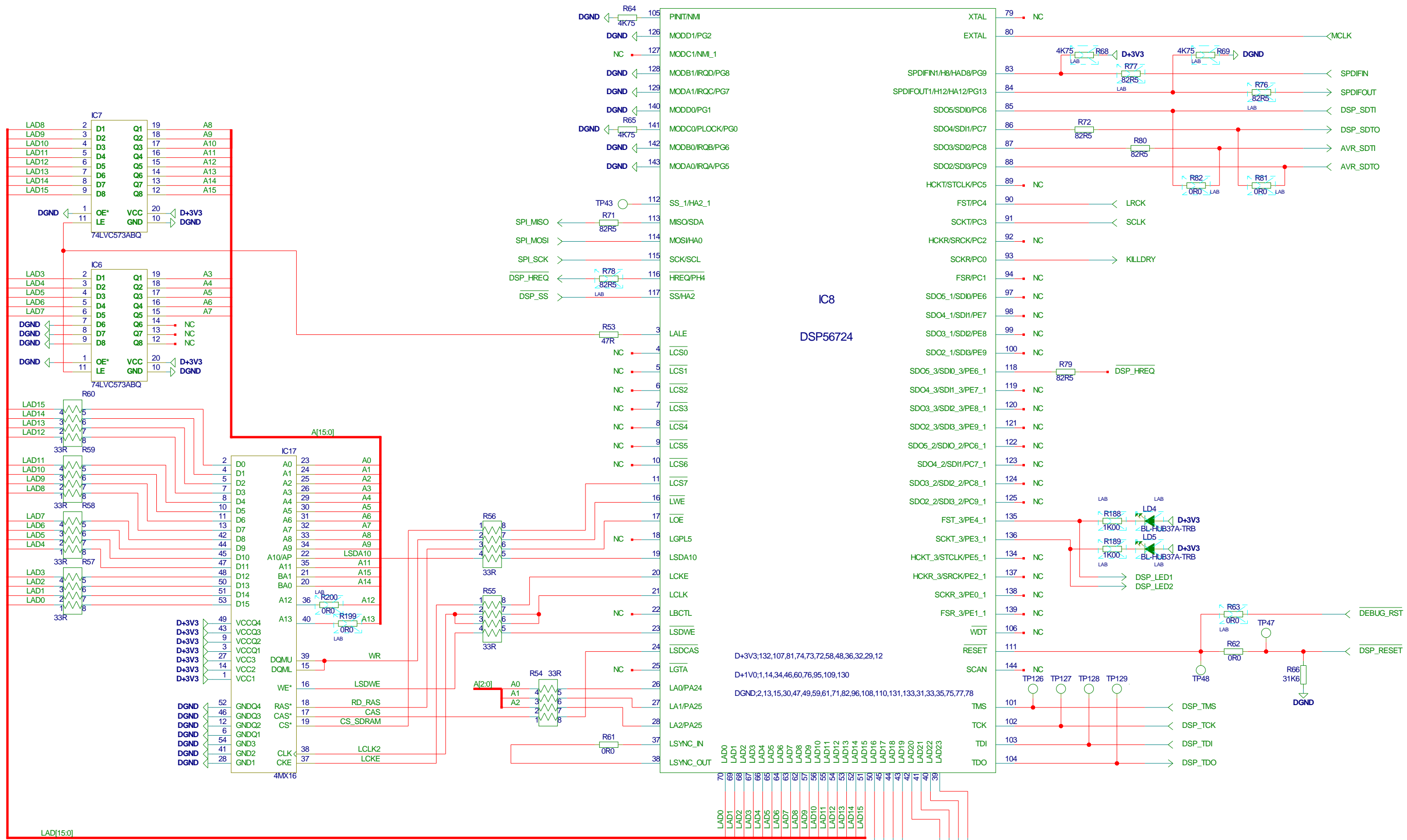
M1
P22381-B

AlterEgo Reverb

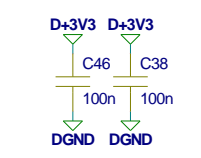
TC Electronic A/S		Designer
ERIK MAINBOARD 724		HJE/PRO
OVERVIEW		
Number	Revision	Previous page
P22381	BHA	XX
Date	Filename	Page / of
9-8-2011_9:10	P22381-B_H	1 / 6



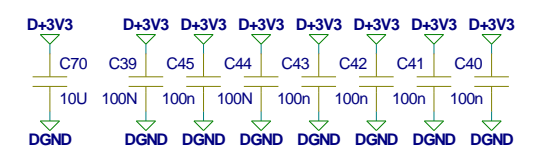
TC Electronic A/S		Designer	HJE/PRO
Title	ERIK MAINBOARD 724	Module title	UC_AND_CONNECTS
Number	P22381	Revision	BHA
Date	9-8-2011 9:10	Filename	UC_AND_CONNECTS_H_1
		Page / of	1 / 6



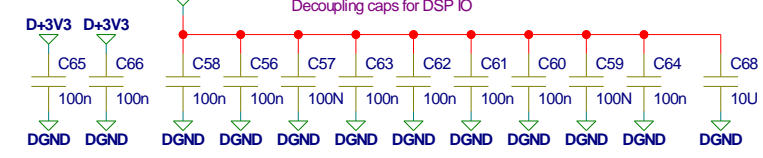
Decoupling caps for Latch



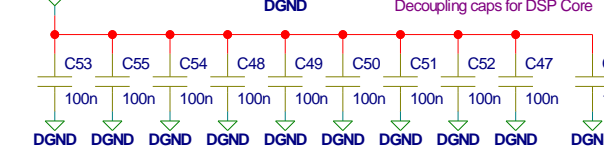
Decoupling caps for SDRAM



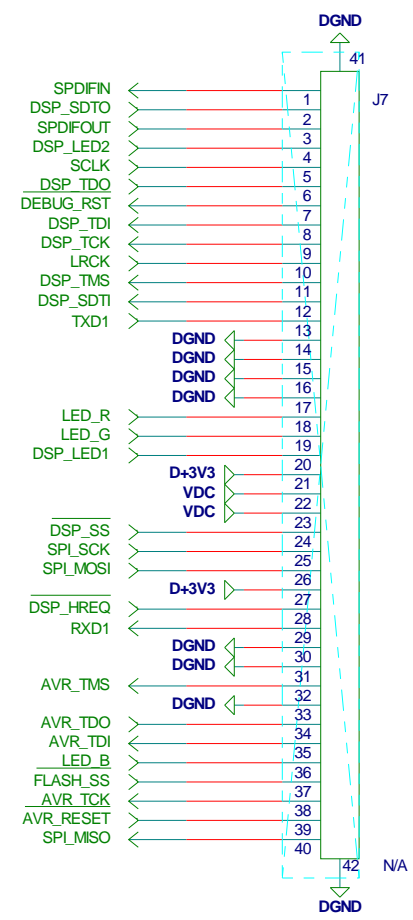
Decoupling caps for DSP IO



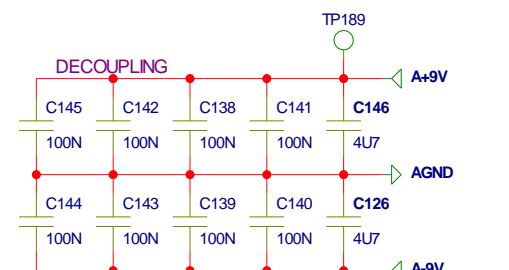
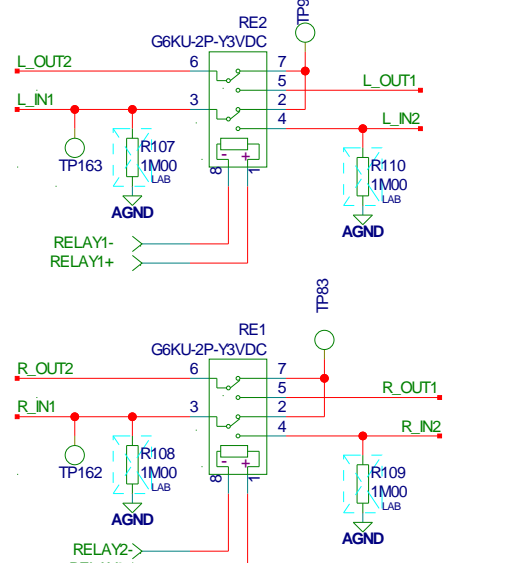
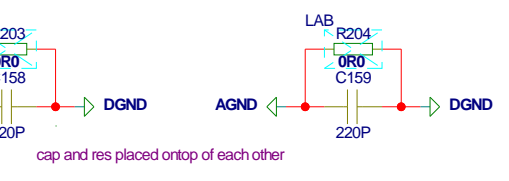
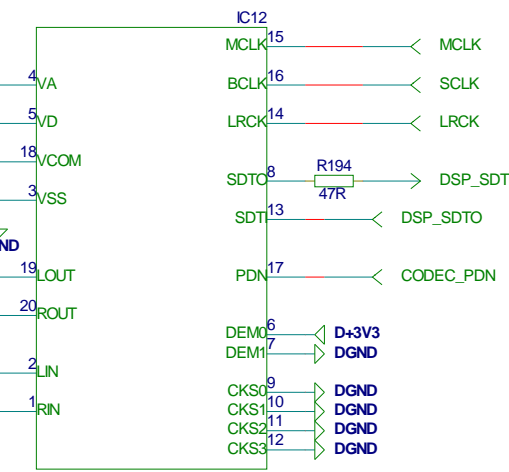
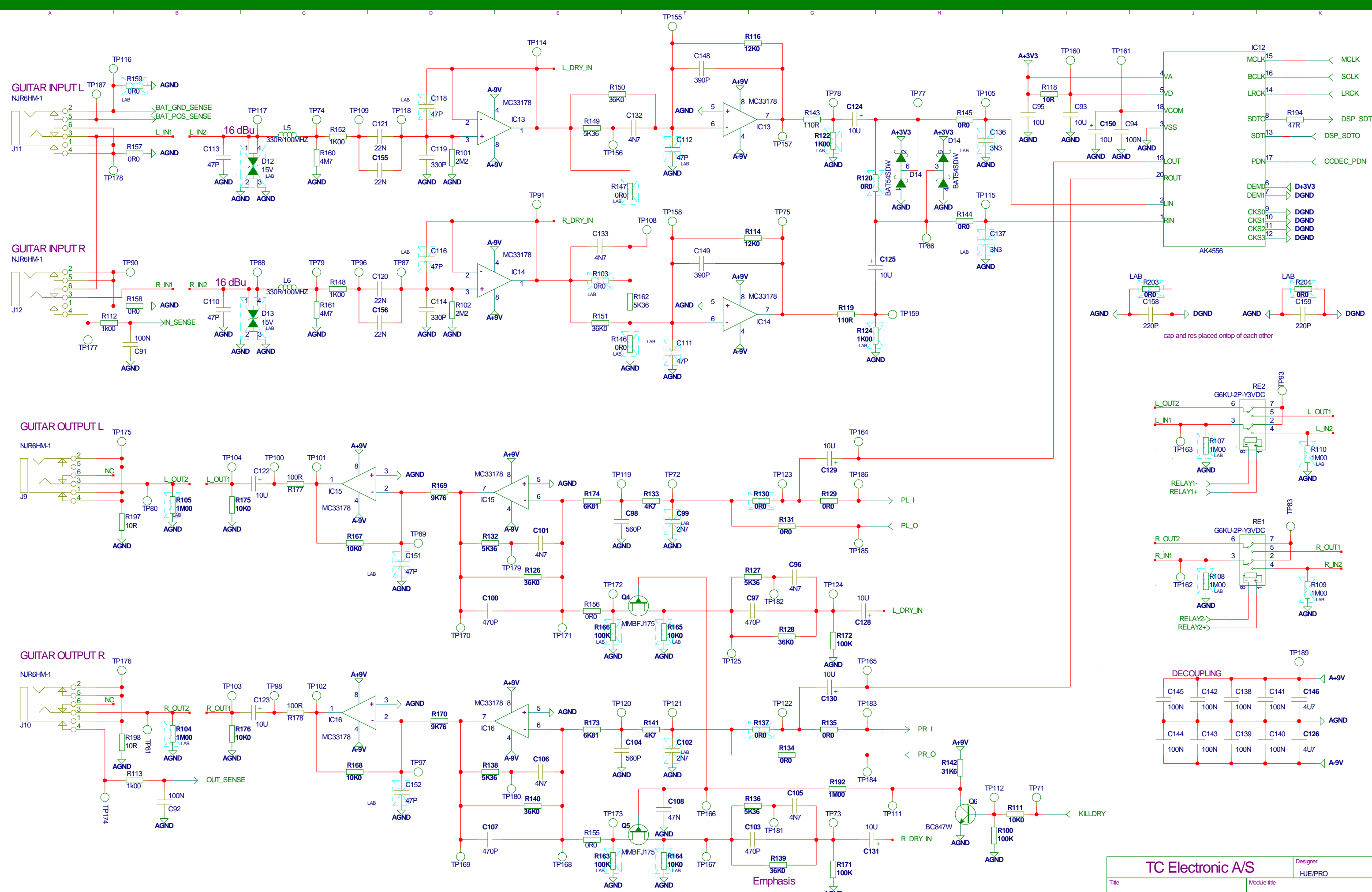
Decoupling caps for DSP Core



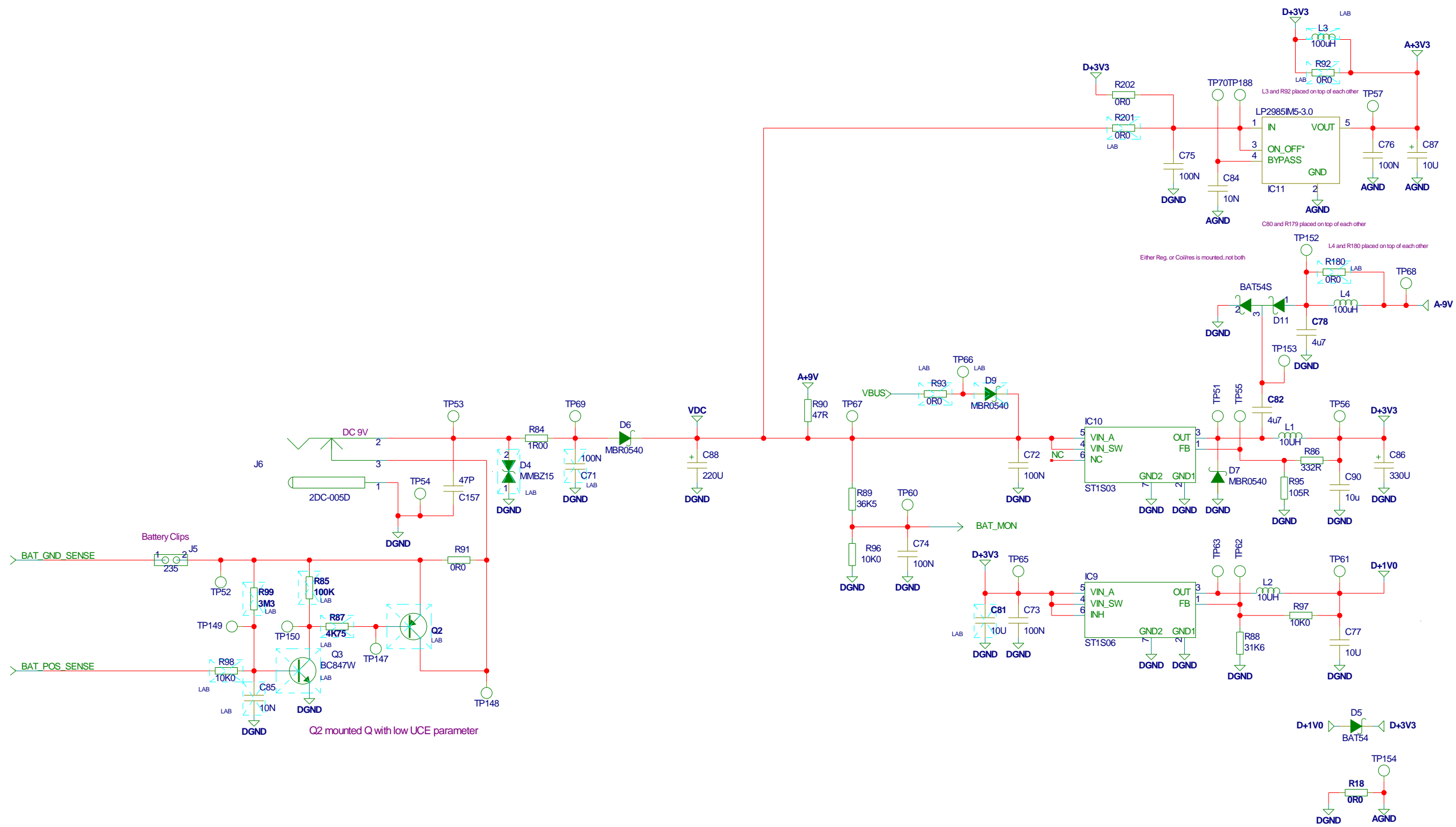
TC Electronic A/S		Designer	HJE/PRO
Title	ERIK MAINBOARD 724	Module title	DSP SECTION
Number	P22381	Revision	BHA
Date	9-8-2011 9:10	Filename	DSP724_H_1
		Previous page	2
		Page / of	3 / 6



TC Electronic A/S		Designer HJE/PRO
Title ERIK MAINBOARD 724		Module title DEBUG CONNECTOR
Number P22381	Revision BHA	Previous page 3
Date 9-8-2011 9:11	Filename DEBUGINTERFACE_H_1	Page / of 4 / 6



TC Electronic A/S		Designer	HJE/PRO
Title		Module title	
ERK MAINBOARD 724		ANALOG SECTION	
Number	Revision	Previous page	
P22381	BHA	4	
Date	Filename	Page / of	
9-8-2011_9:11	ANALOG_H_1	5 / 6	



TC Electronic A/S		Designer HJE/PRO
Title ERIK MAINBOARD 724		Module title POWER SUPPLY
Number P22381	Revision BHA	Previous page 5
Date 9-8-2011_9:10	Filename POWER_H_1	Page / of 6 / 6