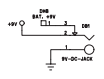
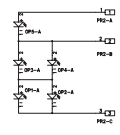
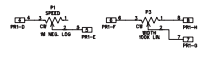
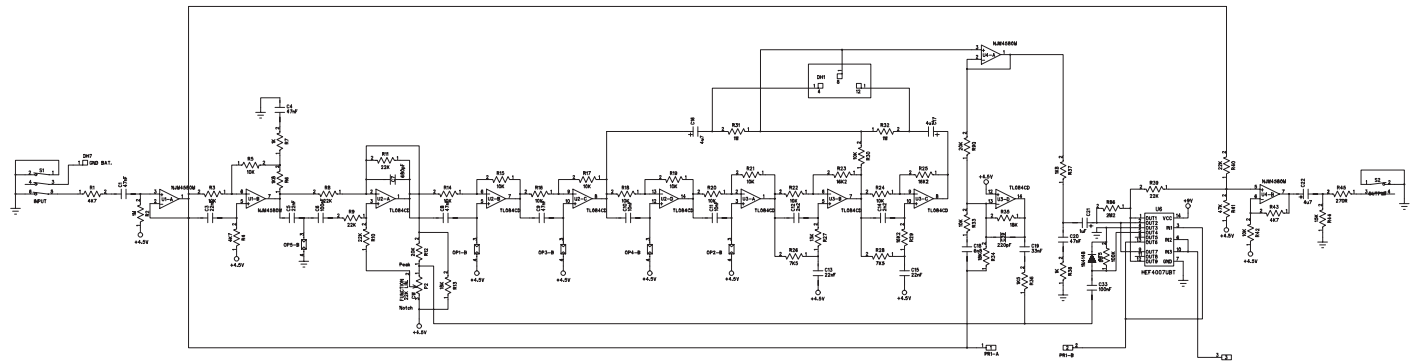


6 5 4 3 2 1

REVISION RECORD			
REV	ECO NO.	APPROVED	DATE



DRAWN: 06-09-06		DATED:		COMPANY:	
CHECKED:		DATED:		TITLE: TC Phaser	
QUALITY CONTROL:		DATED:		CODE: A3	DRAWING NO: V2.3
RELEASED:		DATED:		SCALE:	SHEET: OF 1 sheet