

6

5

4

3

2

1

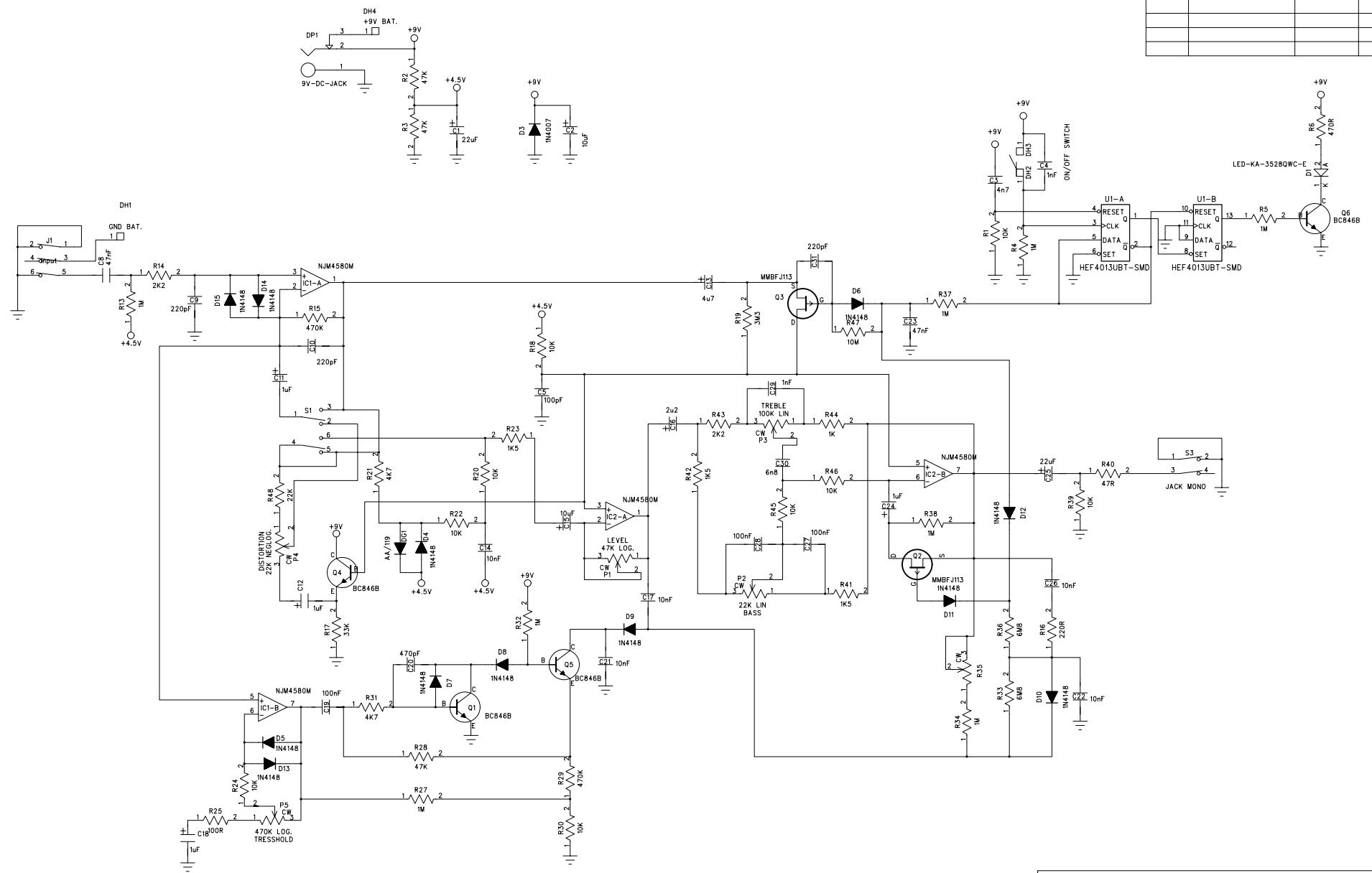
D

C

B

A

| REVISION RECORD |         |           |       |
|-----------------|---------|-----------|-------|
| LTR             | ECO NO: | APPROVED: | DATE: |
|                 |         |           |       |
|                 |         |           |       |
|                 |         |           |       |



COMPANY: \_\_\_\_\_

TITLE: **Classic Booster + Distortion**

|                  |        |
|------------------|--------|
| DRAWN:           | DATED: |
| CHECKED:         | DATED: |
| QUALITY CONTROL: | DATED: |
| RELEASED:        | DATED: |

|        |           |                     |      |
|--------|-----------|---------------------|------|
| CODE:  | SIZE:     | DRAWING NO:         | REV: |
|        | <b>A3</b> | <b>V2.7</b>         |      |
| SCALE: |           | SHEET: OF S. JENSEN |      |