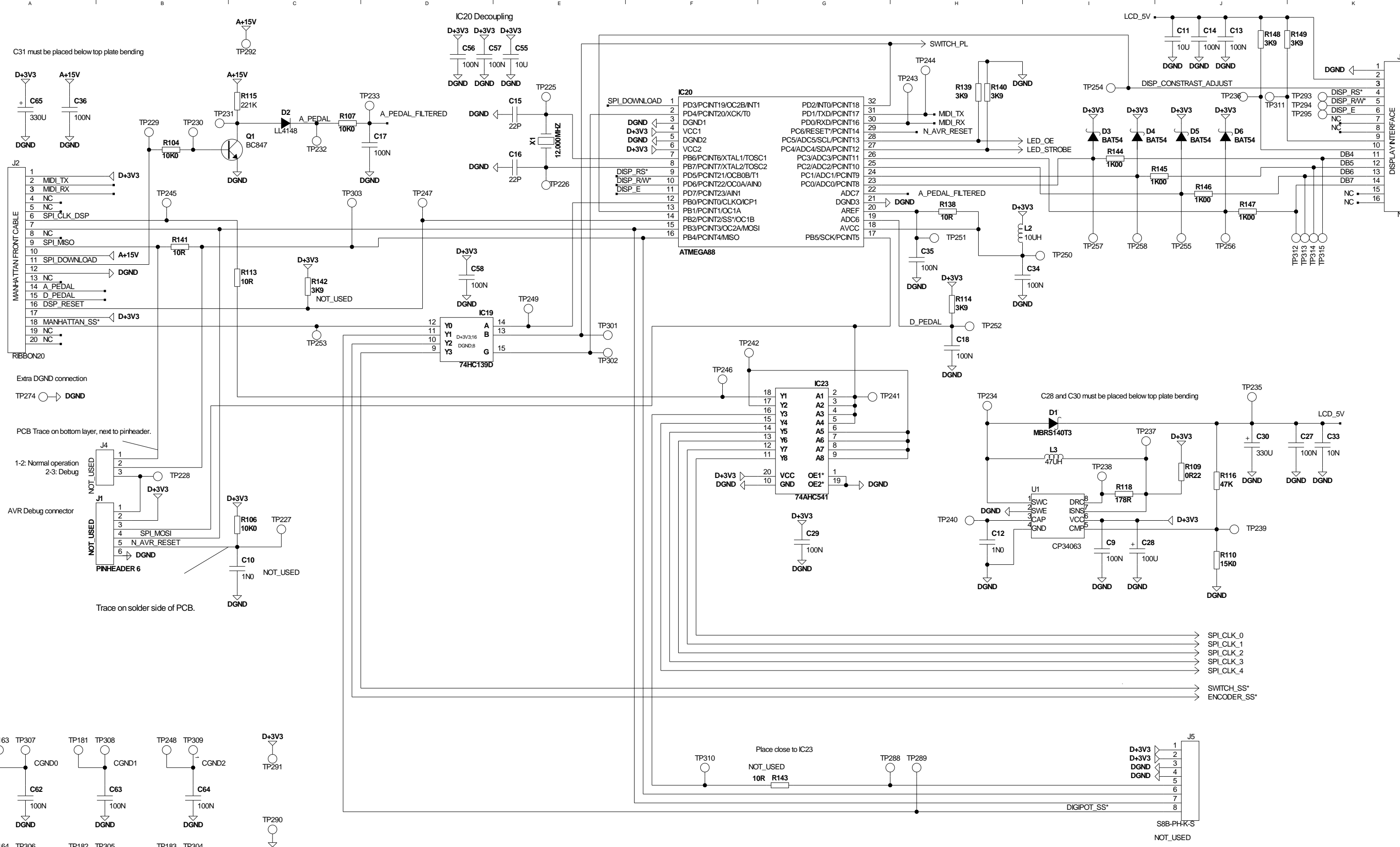


DISP1  
MC2402A-SYL

M2  
P16517-B

<b>TC Electronic A/S</b>		Designer NIMKSA
Title ACOUSTIC CITYFRONT		Module title P16517-B
Number P16517	Revision BAB	Previous page
Date 23-4-2007_10:19	Filename P16517-B	Page / of 1 / 6



C31 must be placed below top plate bending

Extra DGND connection

PCB Trace on bottom layer, next to pinheader.

1-2: Normal operation  
2-3: Debug

AVR Debug connector

Trace on solder side of PCB.

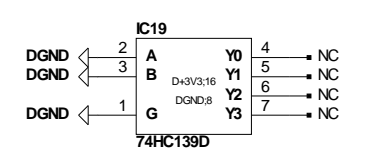
Place close to IC23

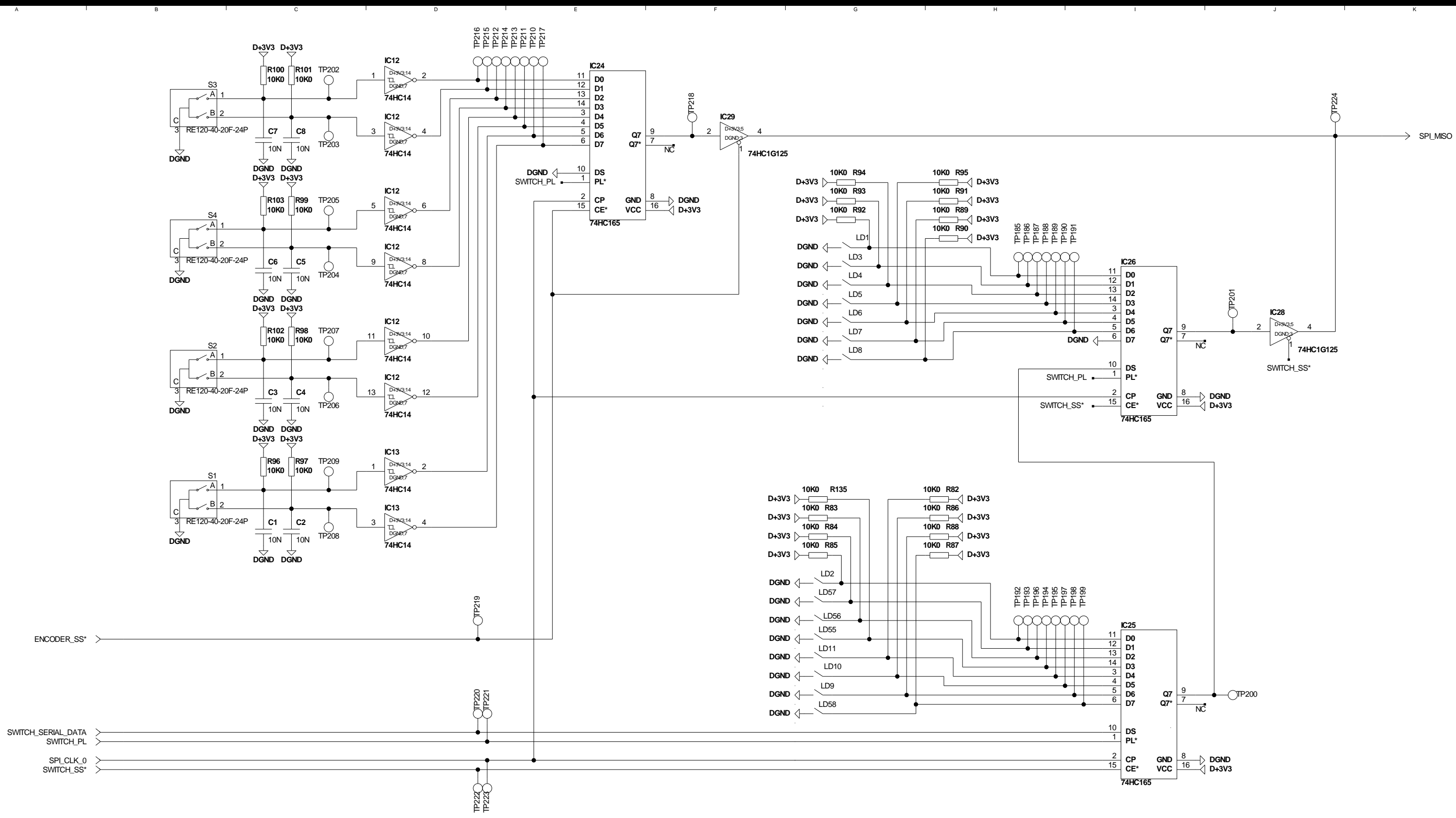
NOT\_USED

NOT\_USED

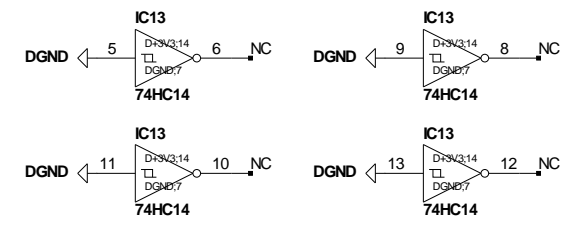
NOT\_USED

### Spare Parts

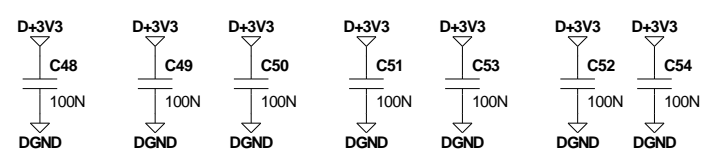




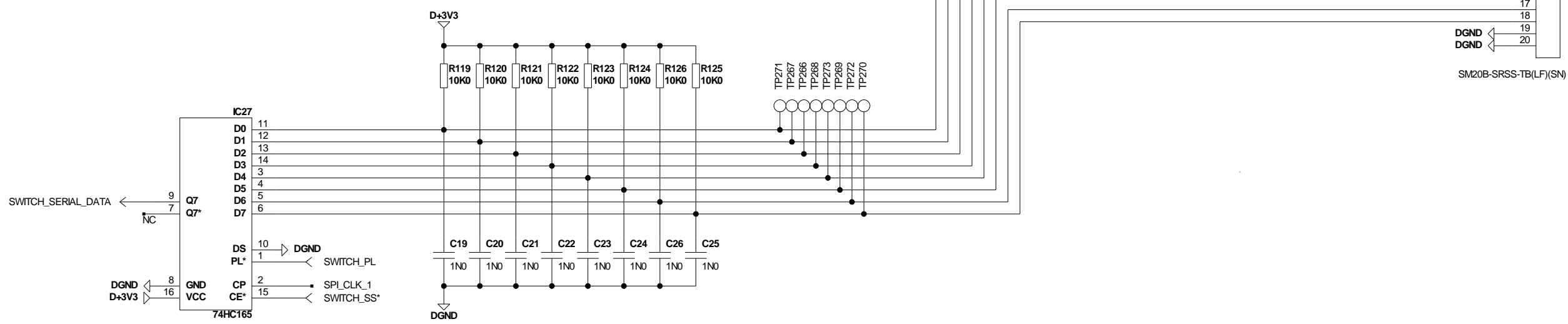
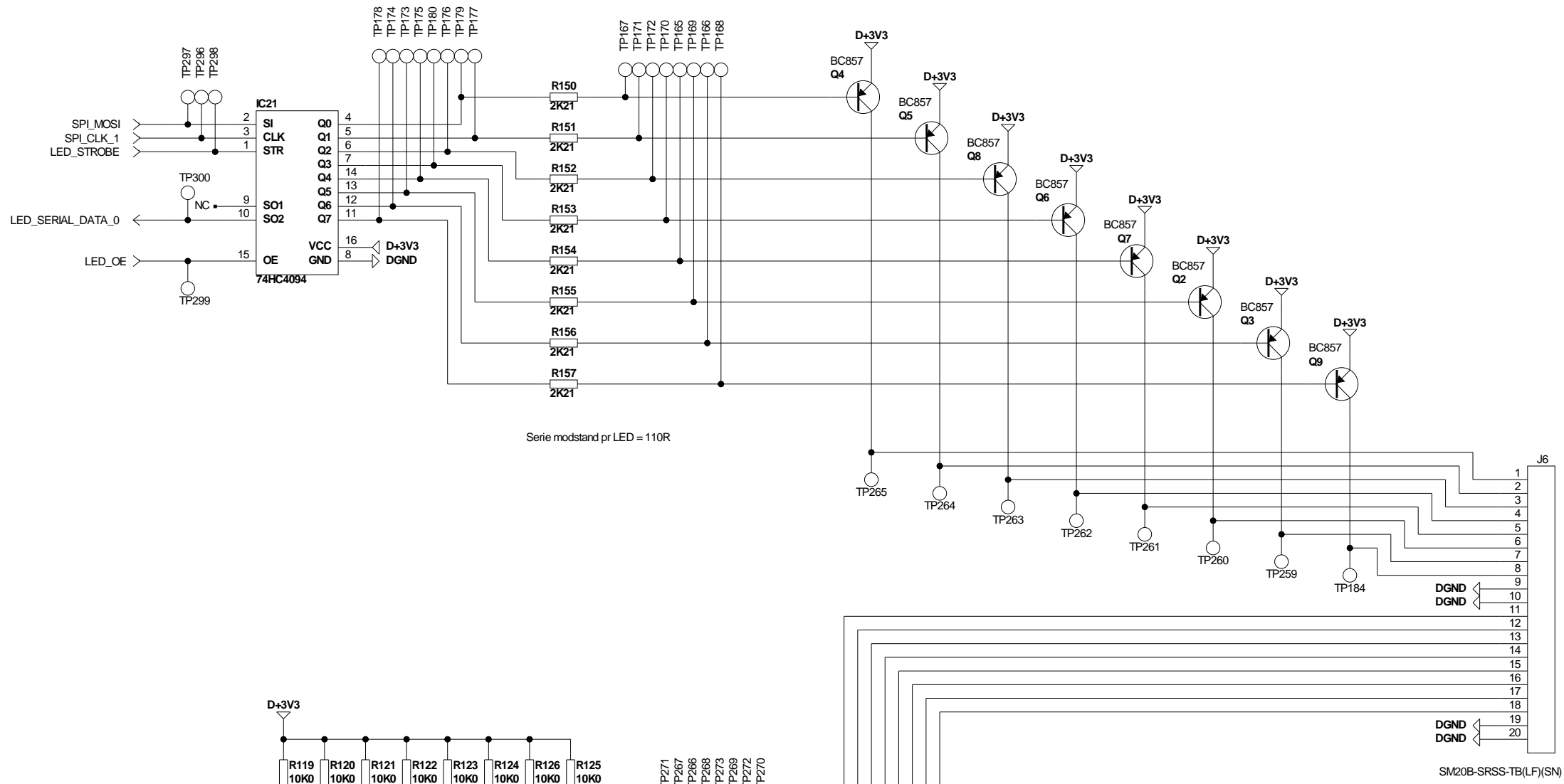
Spare Parts



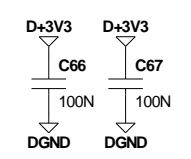
Decoupling for IC12, IC13, IC24, IC25, IC26, IC28 & IC29



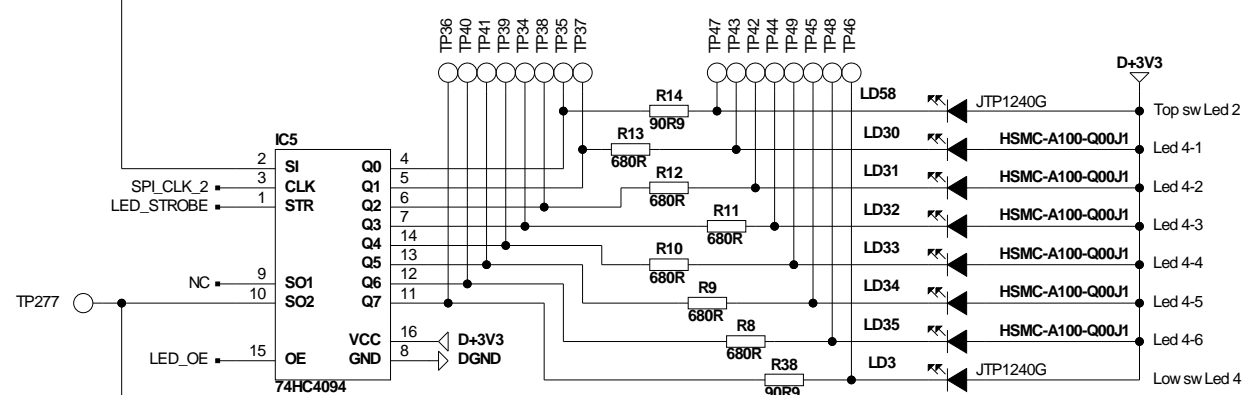
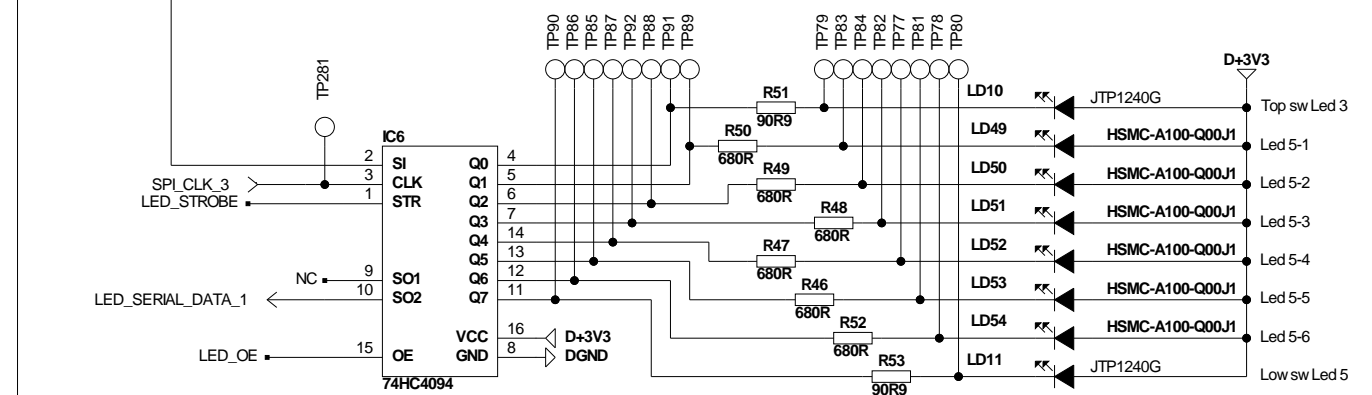
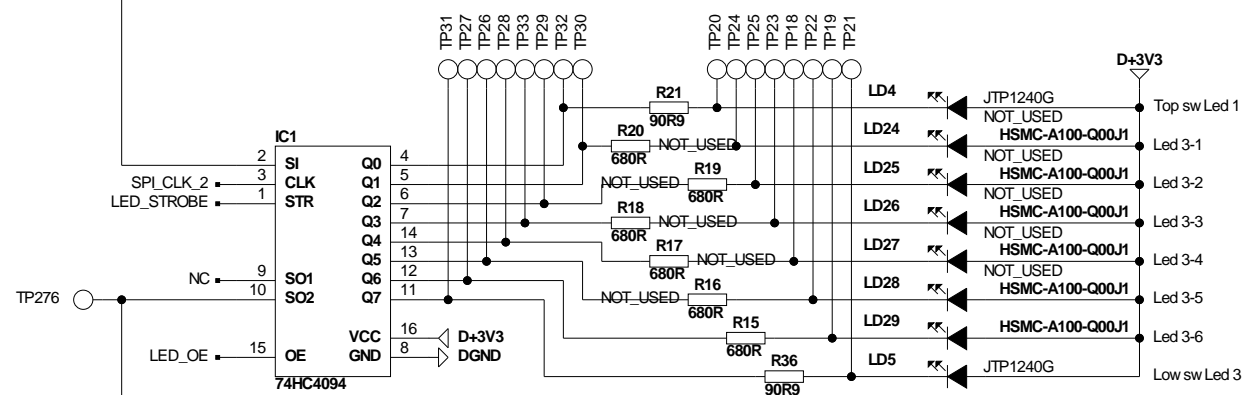
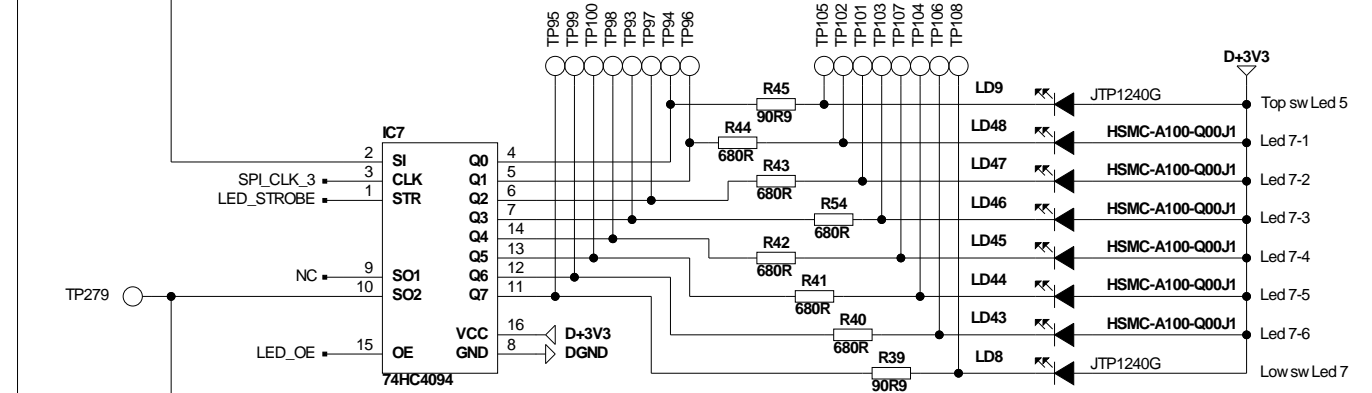
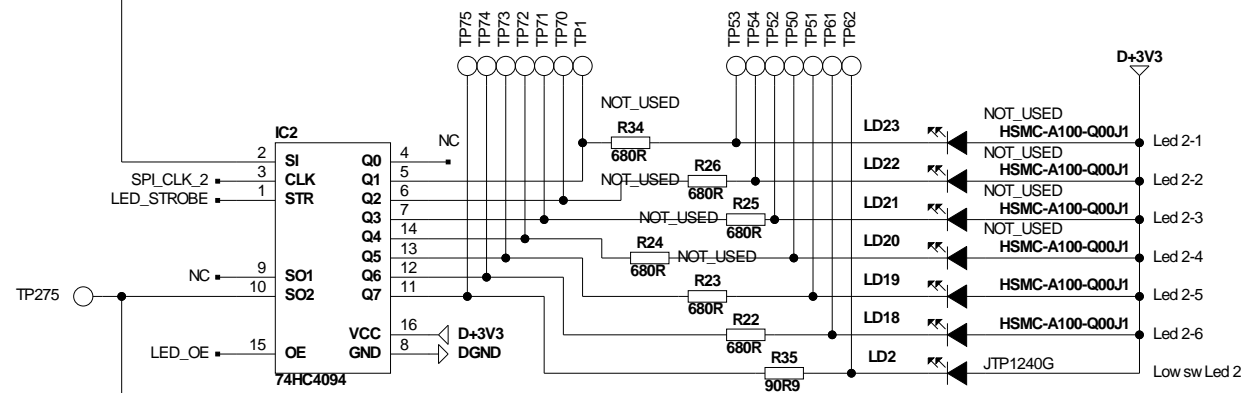
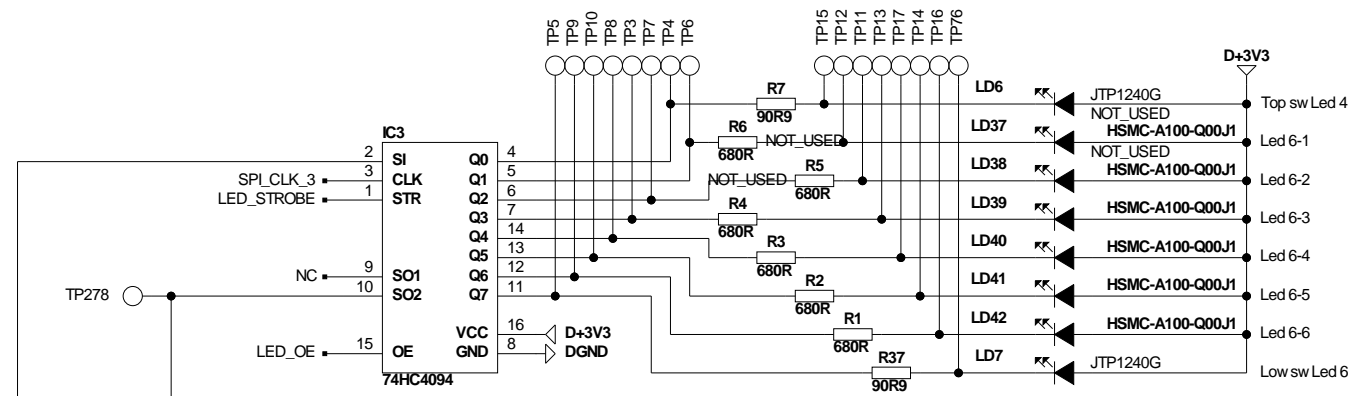
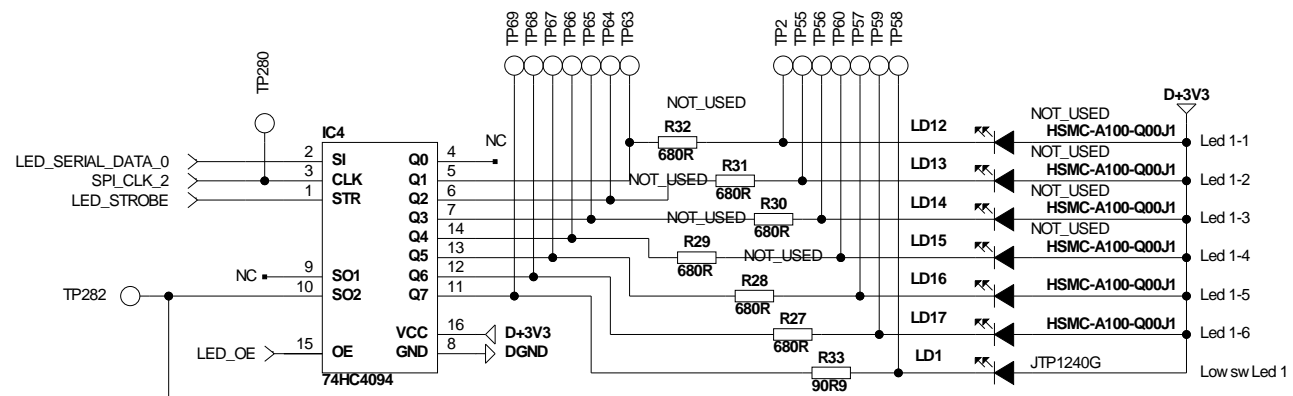
<b>TC Electronic A/S</b>		Designer NIMKSA
Title ACOUSTIC CITYFRONT		Module title ENCODERS AND BUTTONS
Number P16517	Revision BAA	Previous page 1
Date 2-4-2007 14:38	Filename ENCS_AND_BUTTONS	Page / of 3 / 6



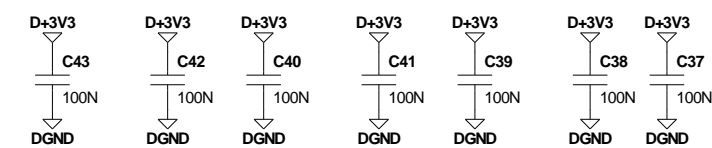
Decoupling for IC21 & IC27



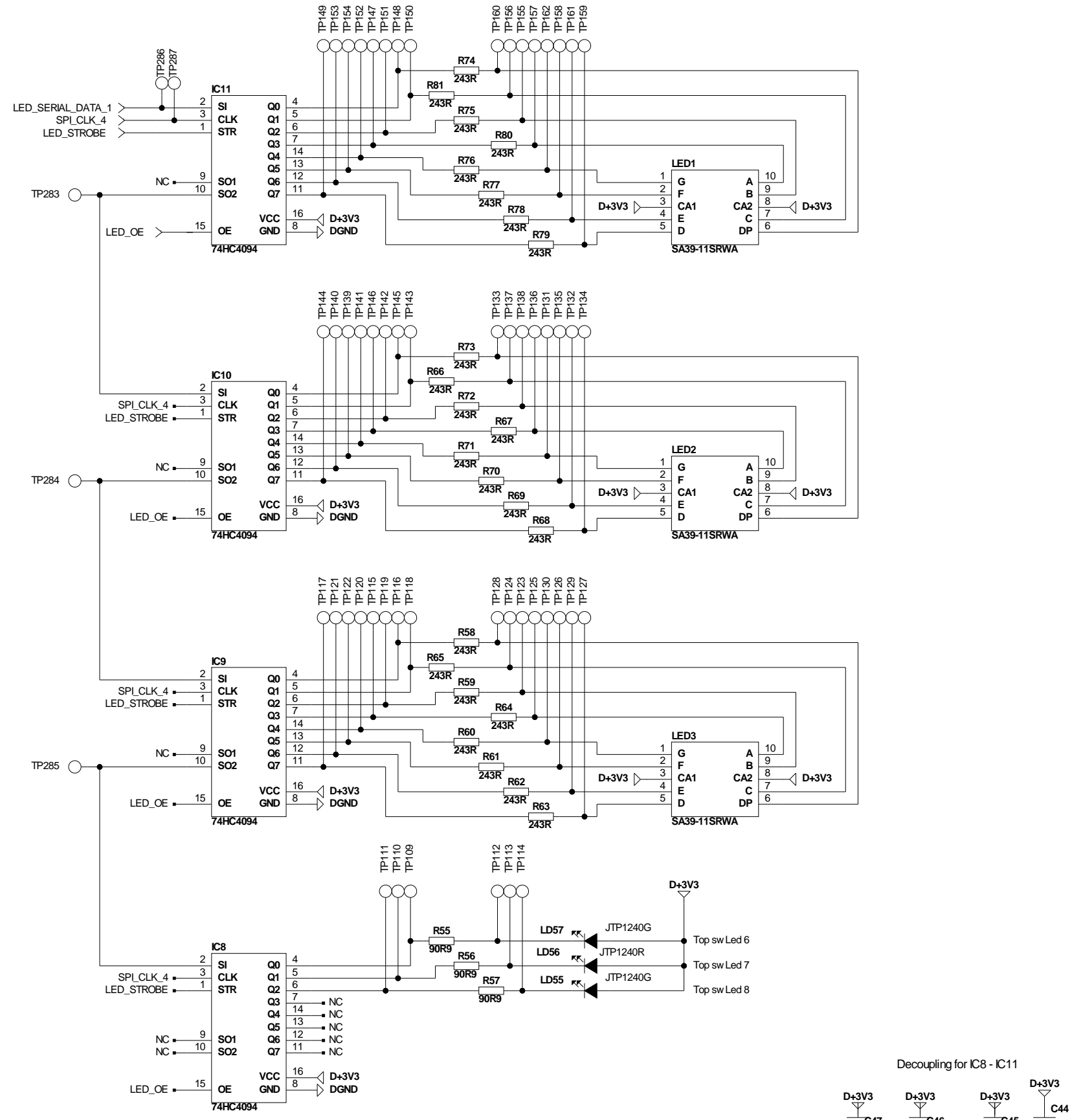
<b>TC Electronic A/S</b>		Designer NIMKSA
Title ACOUSTIC CITYFRONT		Module title FOOTSWITCHES
Number P16517	Revision BAA	Previous page 1
Date 2-4-2007_14:38	Filename FOOTSWITCHES	Page / of 4 / 6



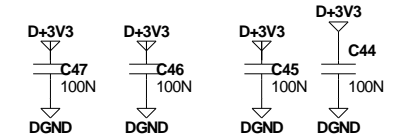
Decoupling for IC1 - IC7



<b>TC Electronic A/S</b>		Designer NIMKSA
Title ACOUSTIC CITYFRONT		Module title LEDS CONTROL
Number 16517	Revision BAA	Previous page 1
Date 23-4-2007_10:17	Filename LEDS_CONTROL	Page / of 5 / 6



Decoupling for IC8 - IC11



<b>TC Electronic A/S</b>		Designer NIMKSA
Title ACOUSTIC CITYFRONT		Module title DISPLAYLEDS
Number 16517	Revision BAA	Previous page 1
Date 2-4-2007_14:38	Filename DISPLAY_LEDS	Page / of 6 / 6