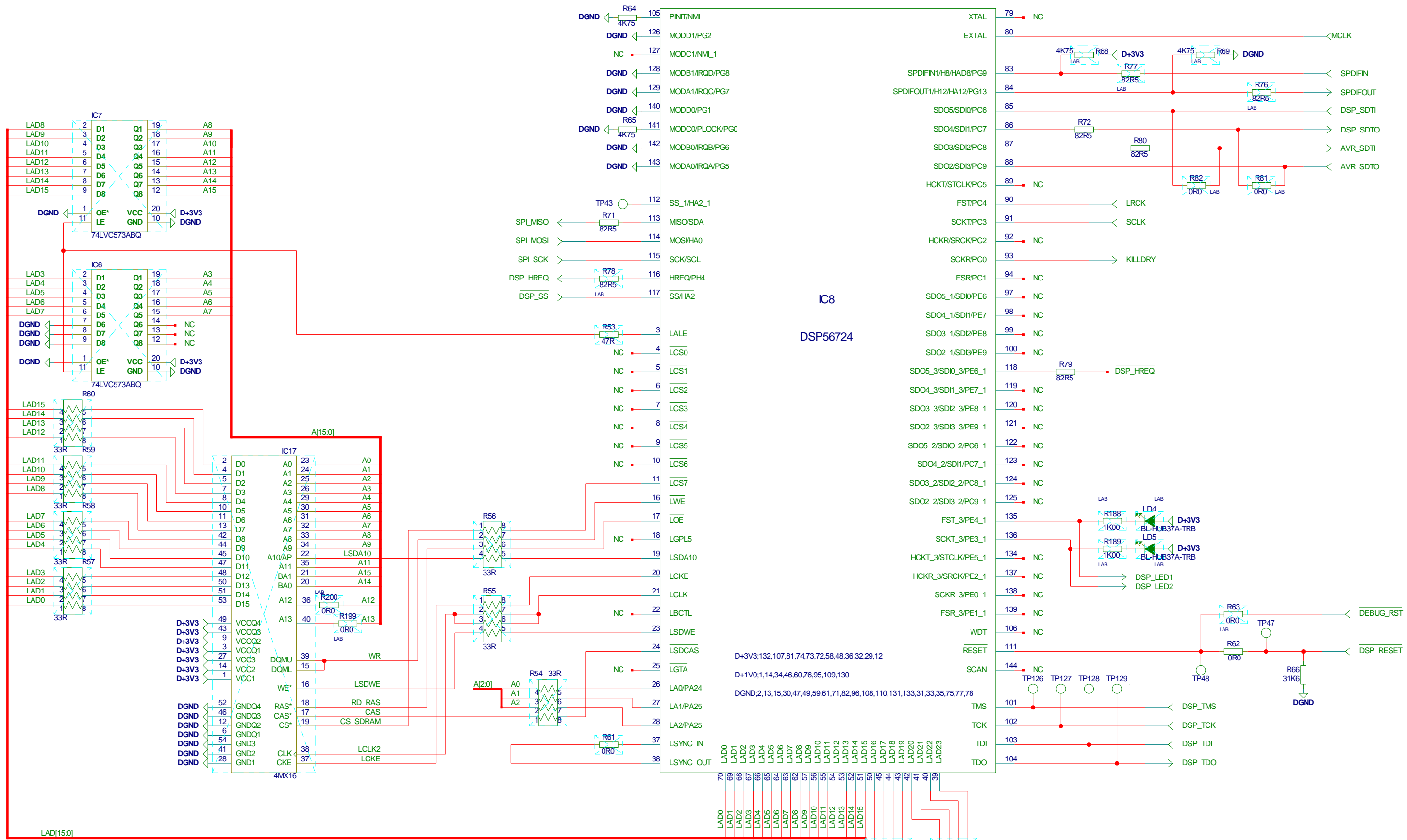


M1
P22381-B

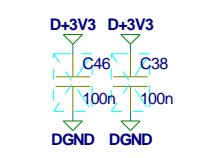
Allan Chorus

Title		Module title	
ERIK MAINBOARD 724		OVERVIEW	
Number	Revision	Previous page	
P22381	BKA	XX	
Date	Filename	Page / of	
9-8-2011_11:14	P22381-B_K	1 / 6	

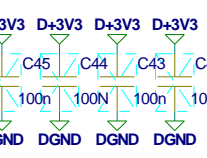
Designer
HJE/PRO



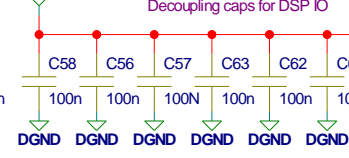
Decoupling caps for Latch



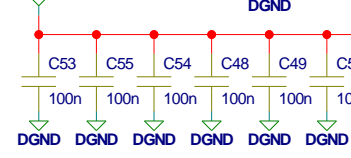
Decoupling caps for SDRAM



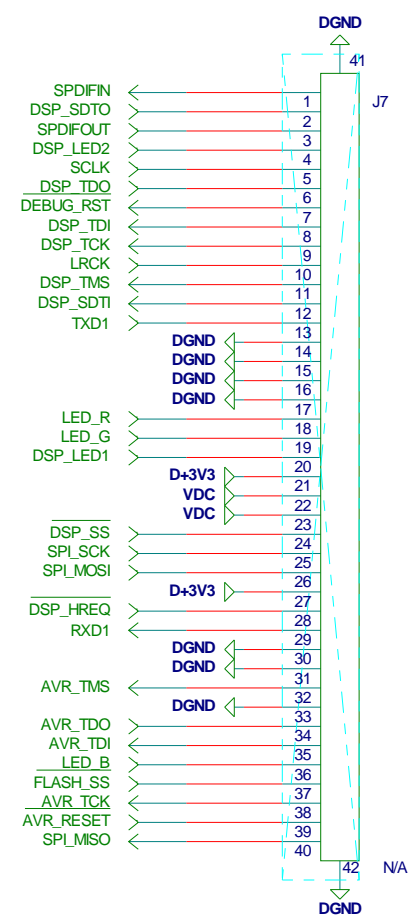
Decoupling caps for DSP IO



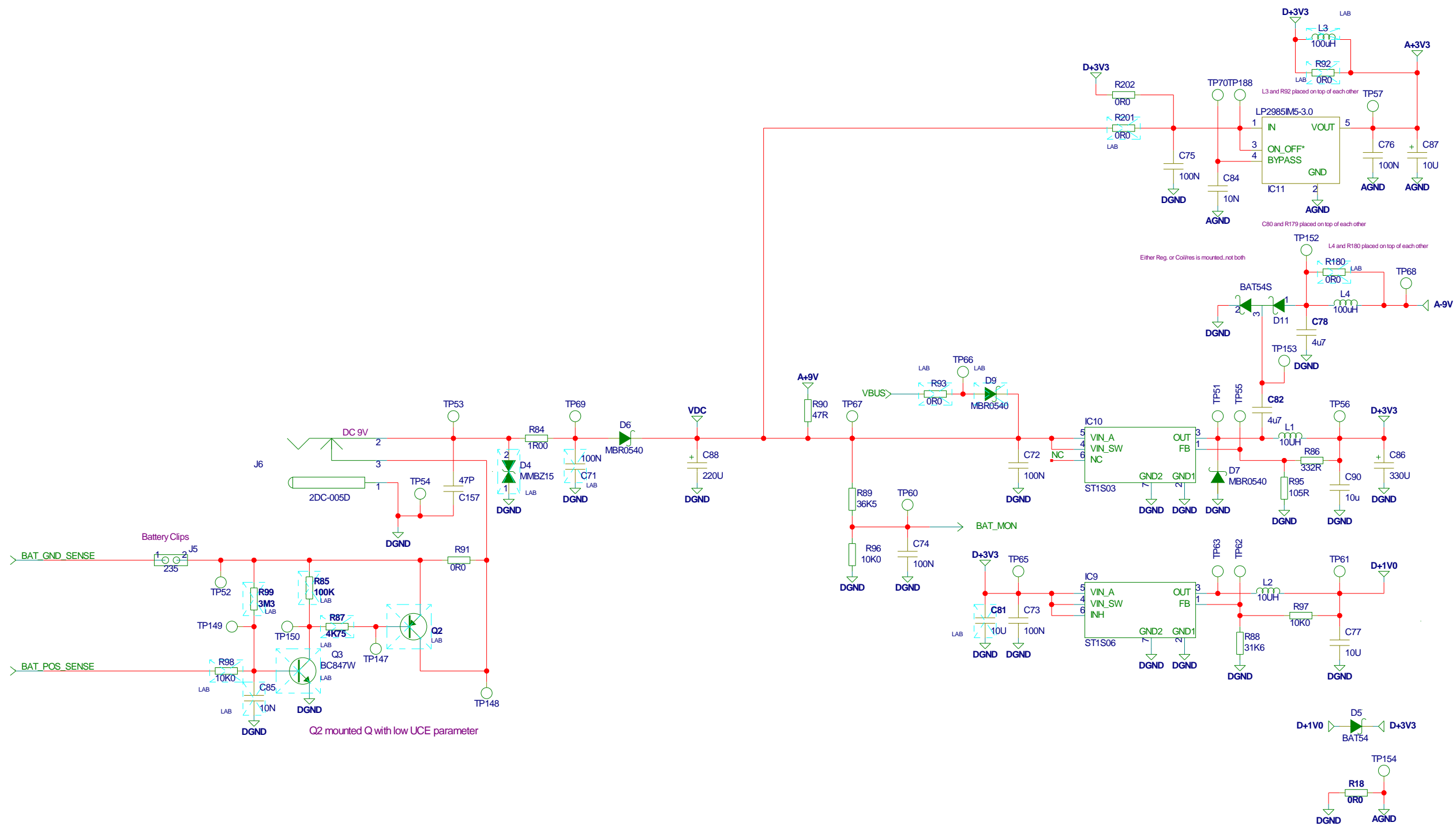
Decoupling caps for DSP Core



TC Electronic A/S		Designer	HJE/PRO
Title		Module title	
ERIK MAINBOARD 724		DSP SECTION	
Number	Revision	Previous page	
P22381	BKA	2	
Date	Filenam	Page / of	
9-8-2011_11:14	DSP724_K_1	3 / 6	



TC Electronic A/S		Designer HJE/PRO
Title ERIK MAINBOARD 724		Module title DEBUG CONNECTOR
Number P22381	Revision BKA	Previous page 3
Date 9-8-2011 11:14	Filename DEBUGINTERFACE_K_1	Page / of 4 / 6



TC Electronic A/S		Designer HJE/PRO
Title ERIK MAINBOARD 724		Module title POWER SUPPLY
Number P22381	Revision BKA	Previous page 5
Date 9-8-2011_11:14	Filename POWER_K_1	Page / of 6 / 6