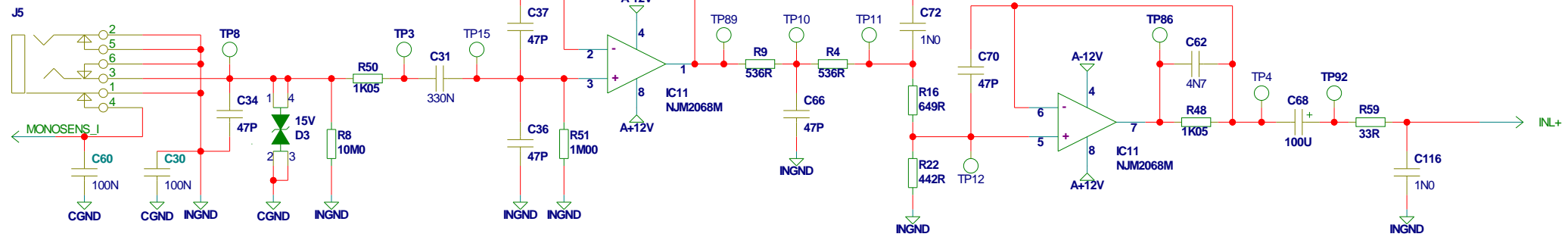


P22612-C
M1

TC Electronic A/S		Designer DKH/SAKHJE
Title NOVA DELAY PGS LIMITED		Module title MAINBOARD
Number P22612_C	Revision CFA	Previous page XX
Date 5-3-2011_12:09	Filename P22612-C	Page / of 1 / 6

GUI 1
RIGHT INPUT



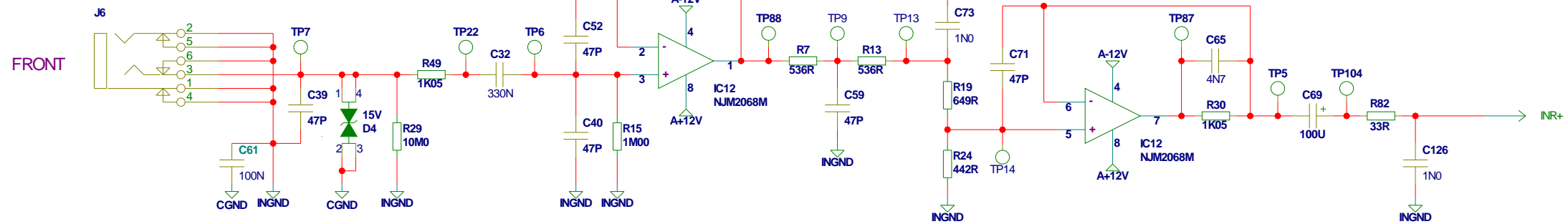
-1 dBFS input level 16 dBu @ gain 0 dB

Attn. 0.19692, -14.11 dB

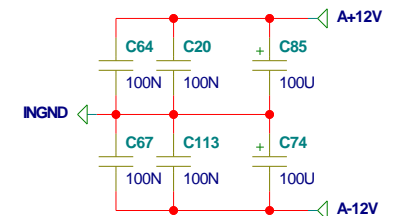
nom. 1.89 dBu

Codec: 0 dBFS = 2.93 dBu, -1 dBFS = 1.93 dBu

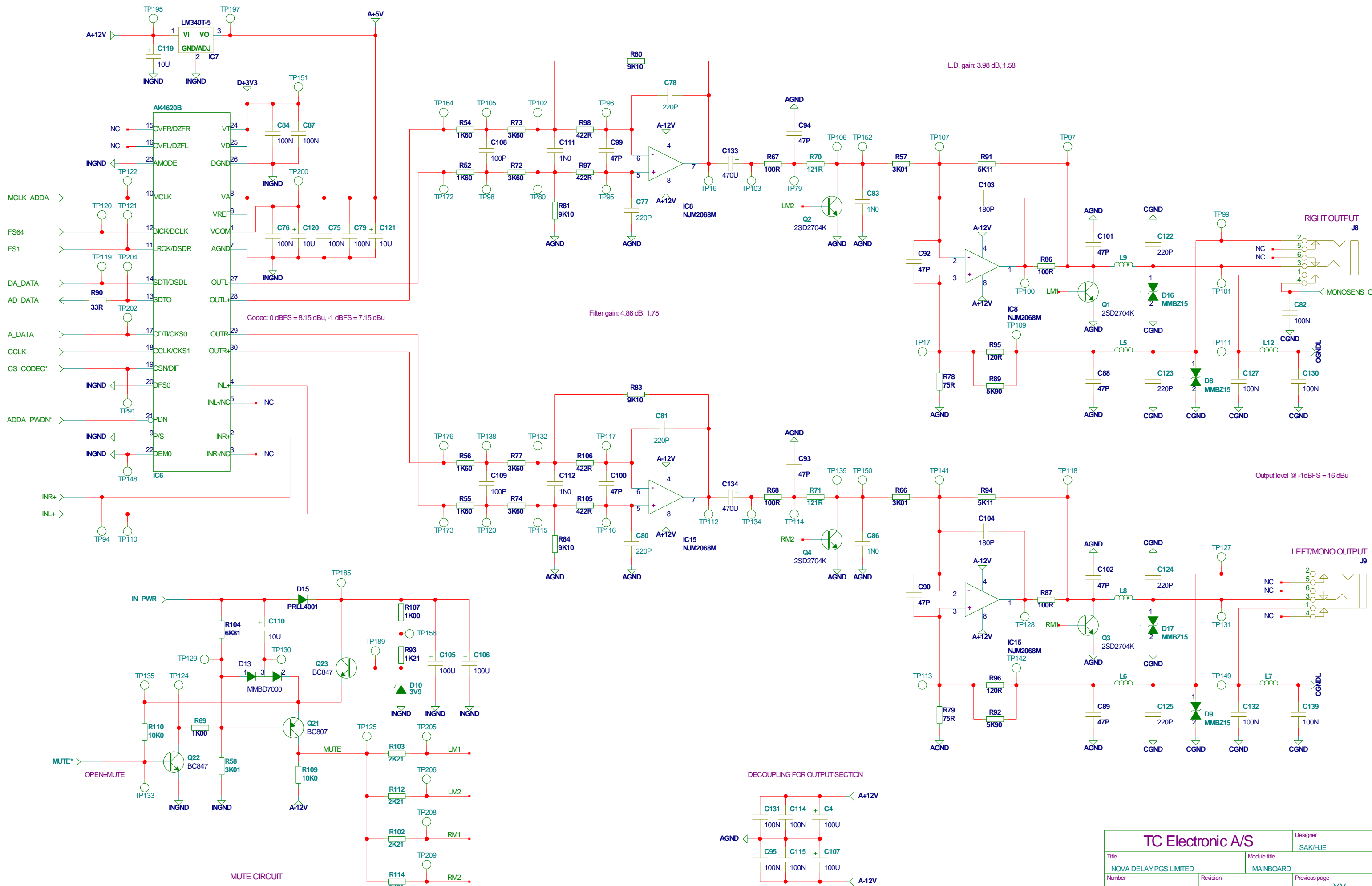
GUI 2
LEFT/MONO INPUT



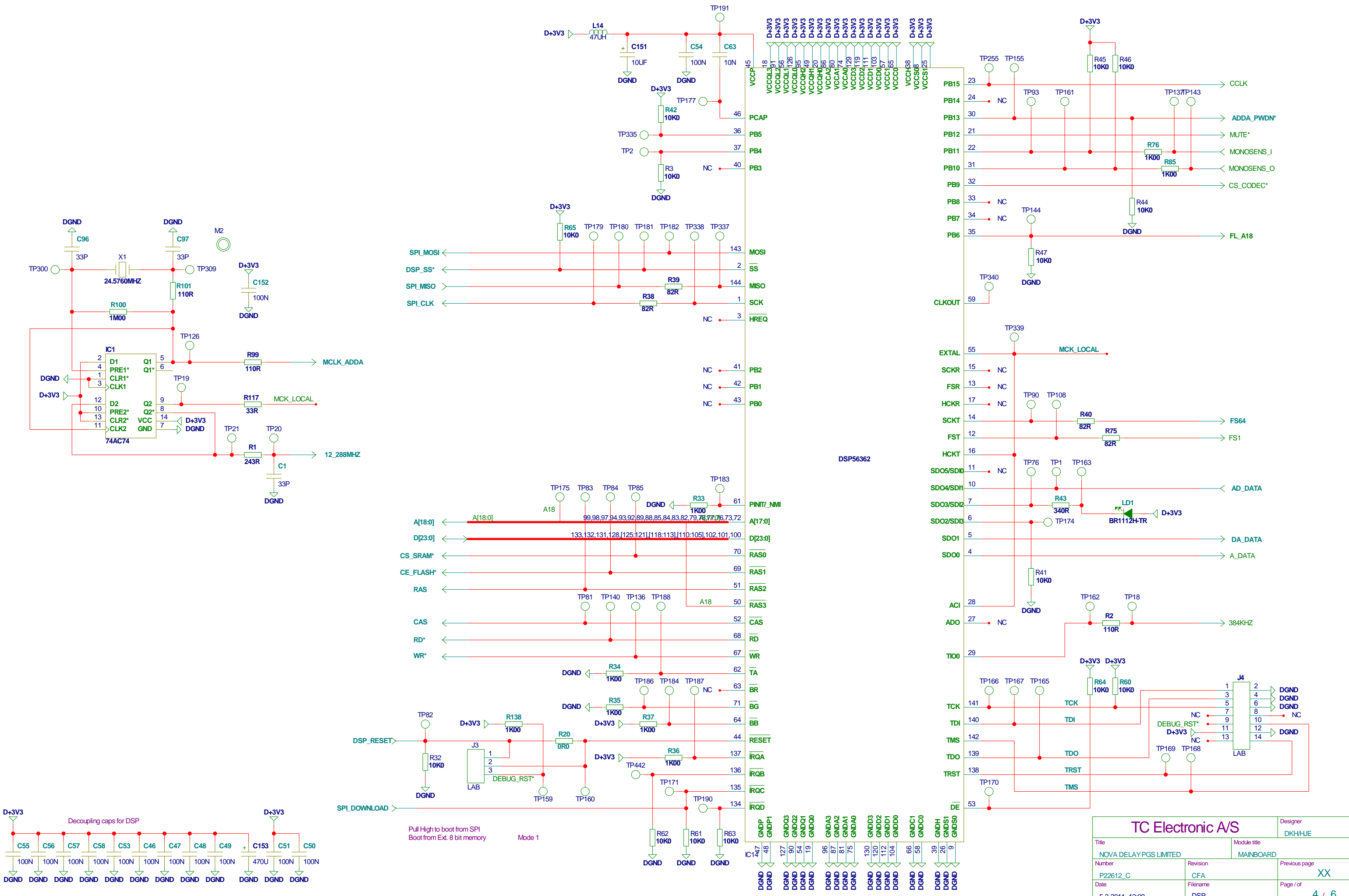
FRONT



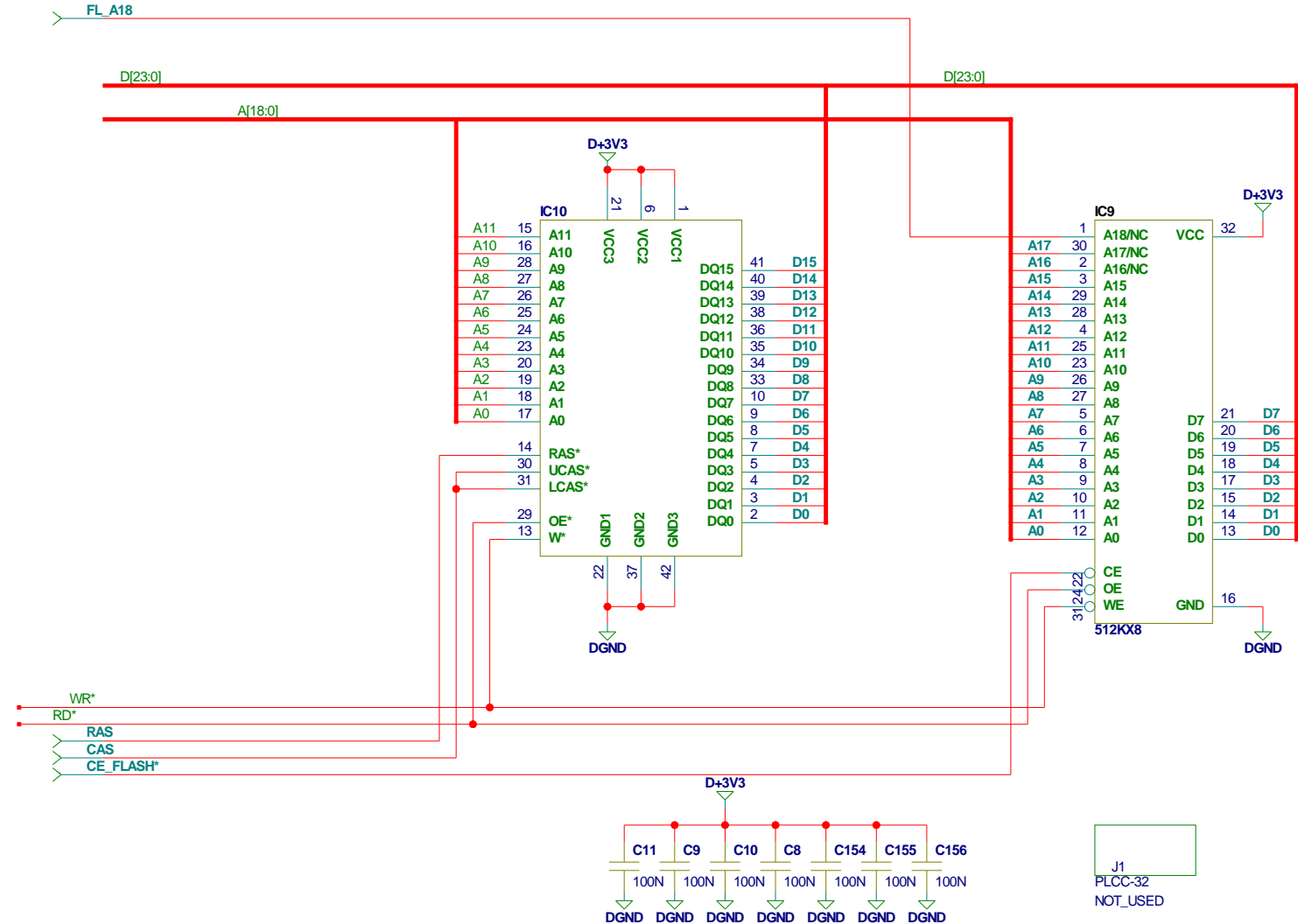
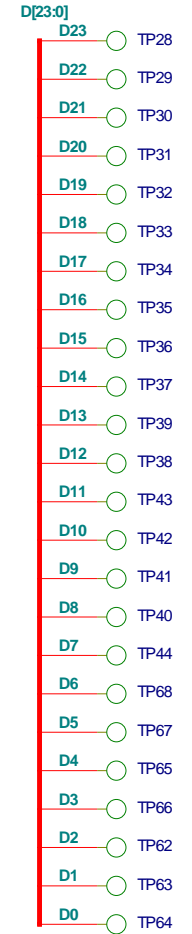
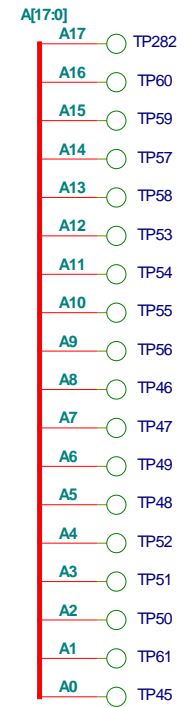
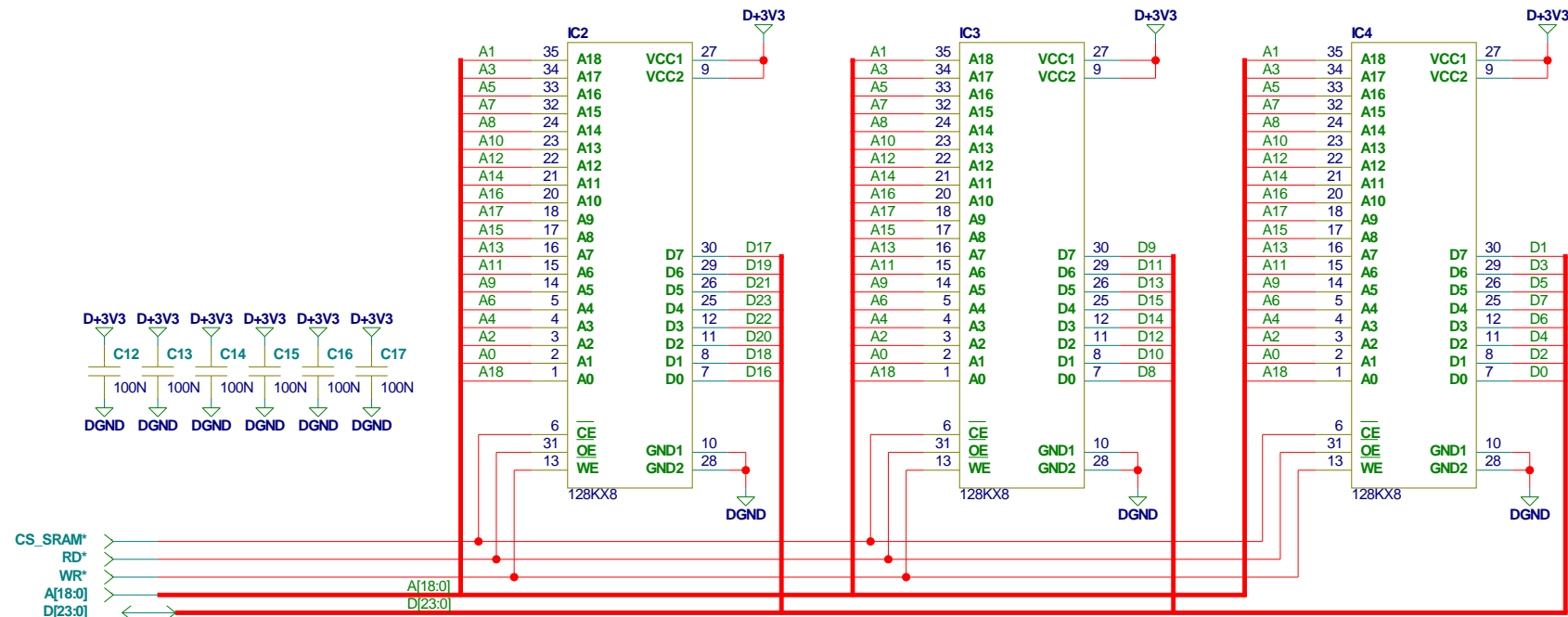
TC Electronic A/S		Designer DKH/HJE
Title NOVA DELAY PGS LIMITED		Module title MAINBOARD
Number P22612_C	Revision CFA	Previous page XX
Date 5-3-2011_12:13	Filename GUITAR_INPUT	Page / of 2 / 6



TC Electronic A/S		Designer SAK/HJE
Title NOVA DELAY PGS LIMITED	Module title MAINBOARD	Previous page XX
Number P22612_C	Revision CFA	Page / of 3 / 6
Date 5-3-2011_12:08	Filername CODEC_A_OUT	

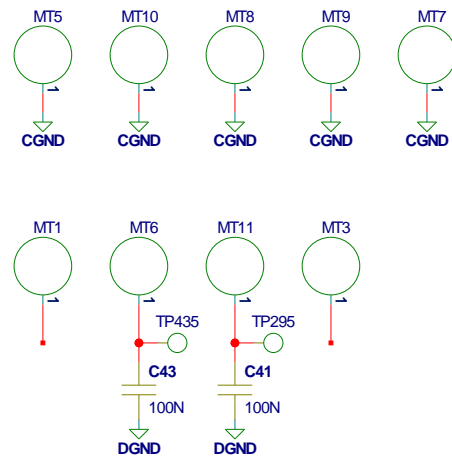
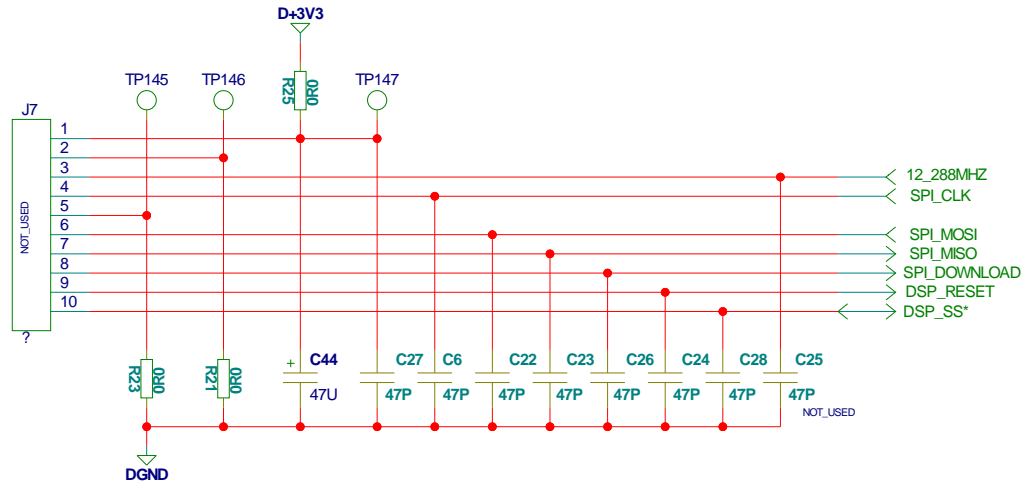


SOJ36/400 mil - 128k/512k



TC Electronic A/S		Designer DKH/HJE
Title NOVA DELAY PGS LIMITED	Module title MAINBOARD	
Number P22612_C	Revision CFA	Previous page XX
Date 5-3-2011_12:20	Filename MEMORY	Page / of 5 / 6

UI Connector



POWER

