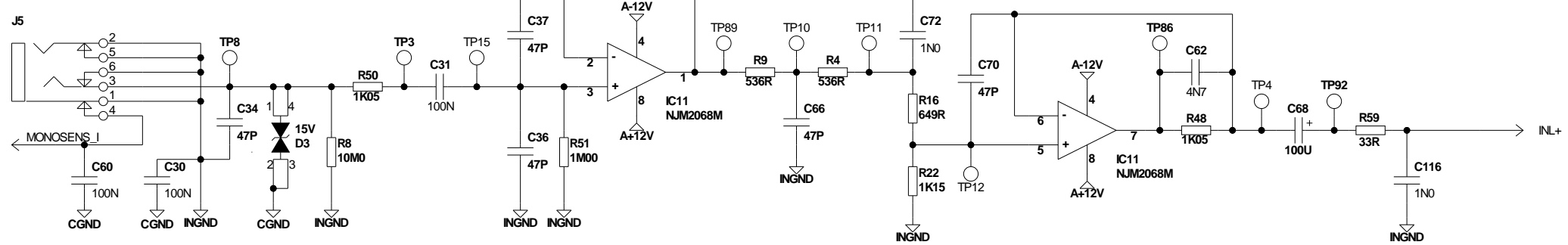


P22612-C
M1

TC Electronic A/S		Designer DKH/SAK
Title HANS_G1		Module title MAINBOARD FOR 3C
Number P22612_C	Revision CBD	Previous page XX
Date 1-24-2008_14:20	Filename P22612-C	Page / of 1 / 6

GUI 1

RIGHT INPUT



-1 dBFS input level 16 dBu @ gain 0 dB

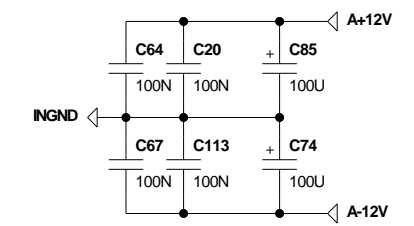
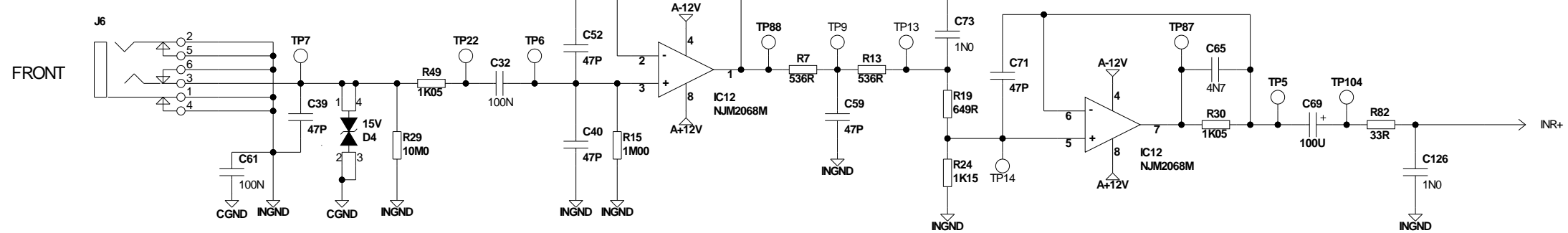
Attn. 0.19692, -14.11 dB

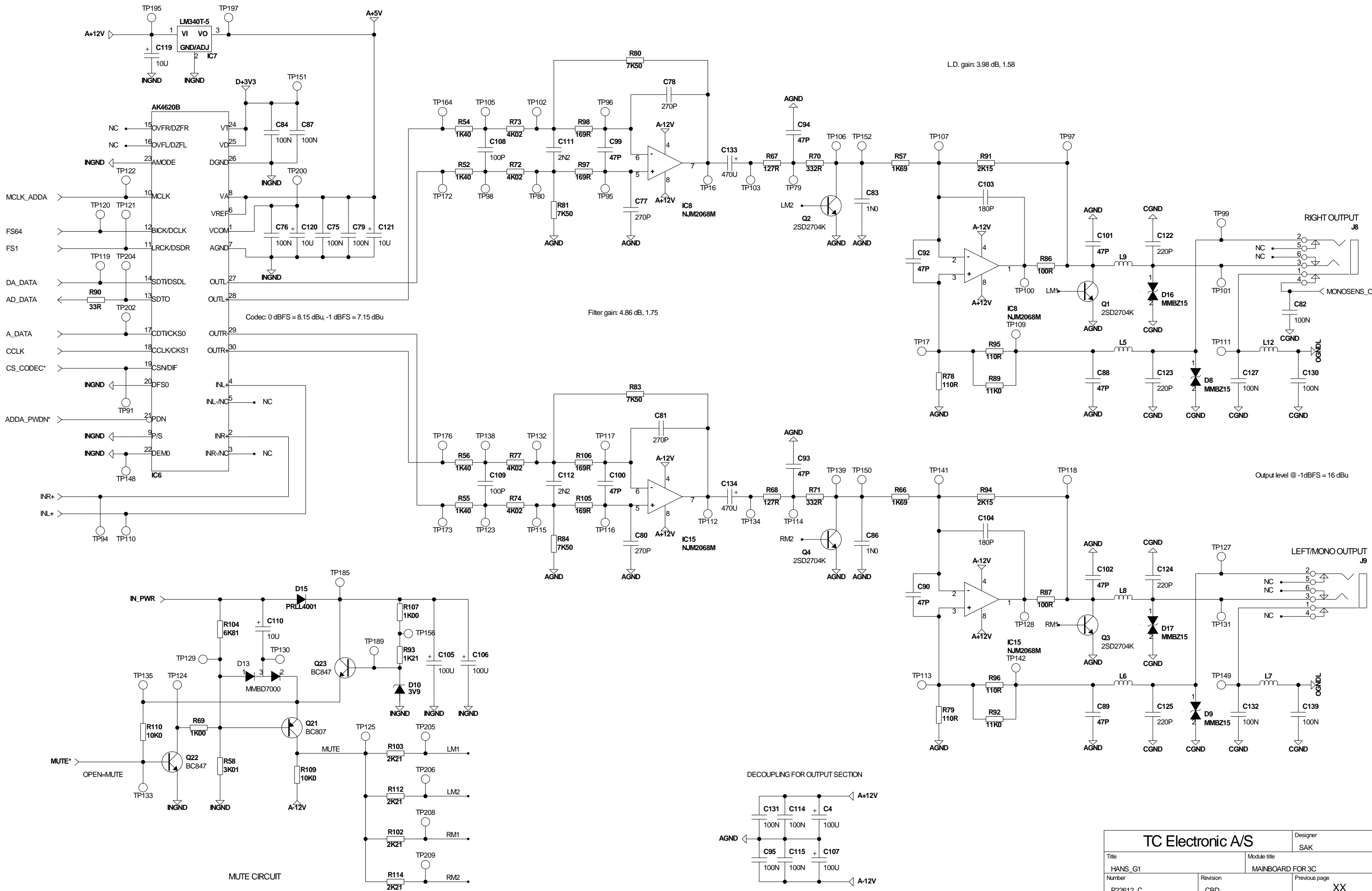
nom. 1.89 dBu

Codec: 0 dBFS = 2.93 dBu, -1 dBFS = 1.93 dBu

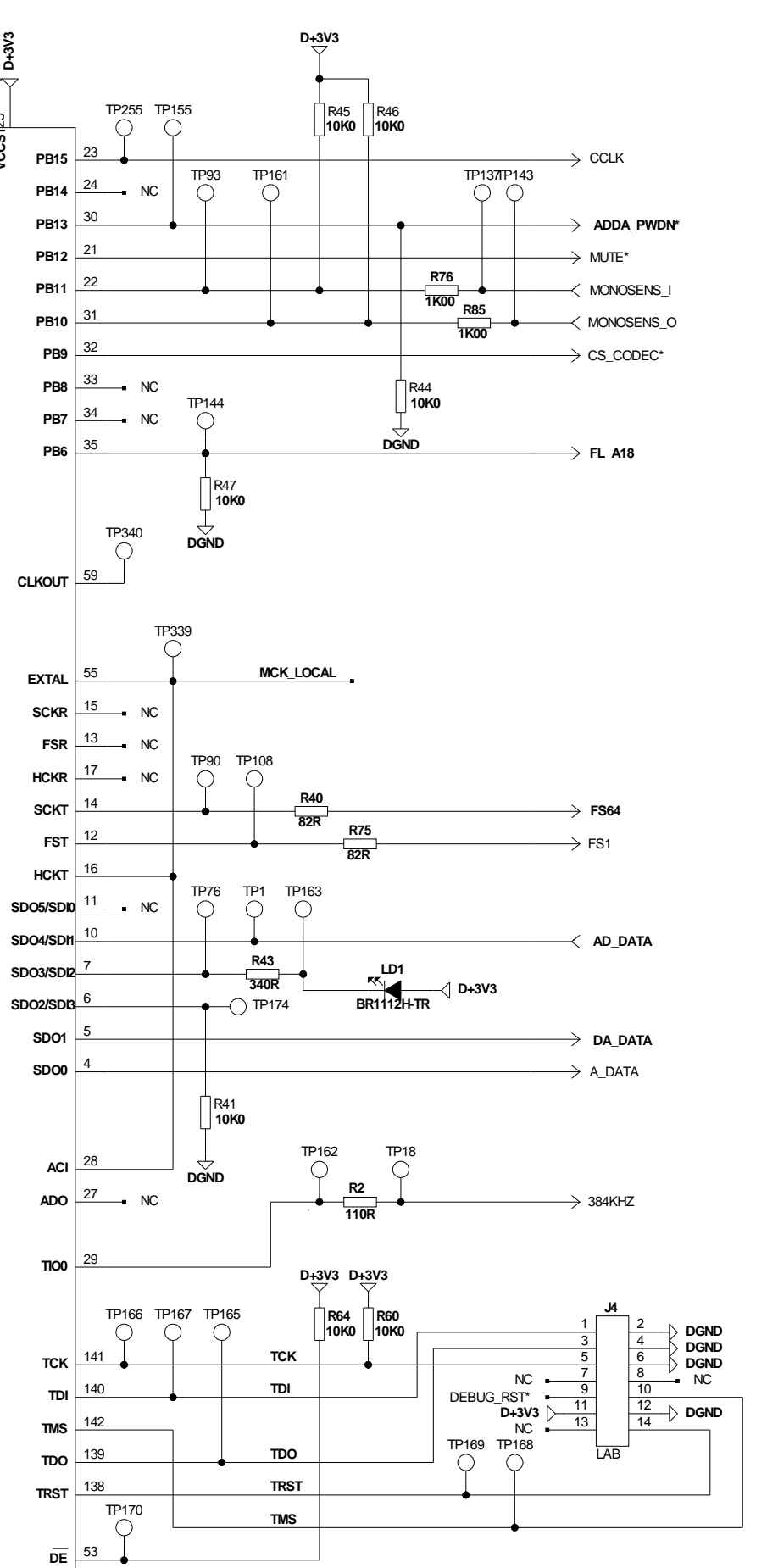
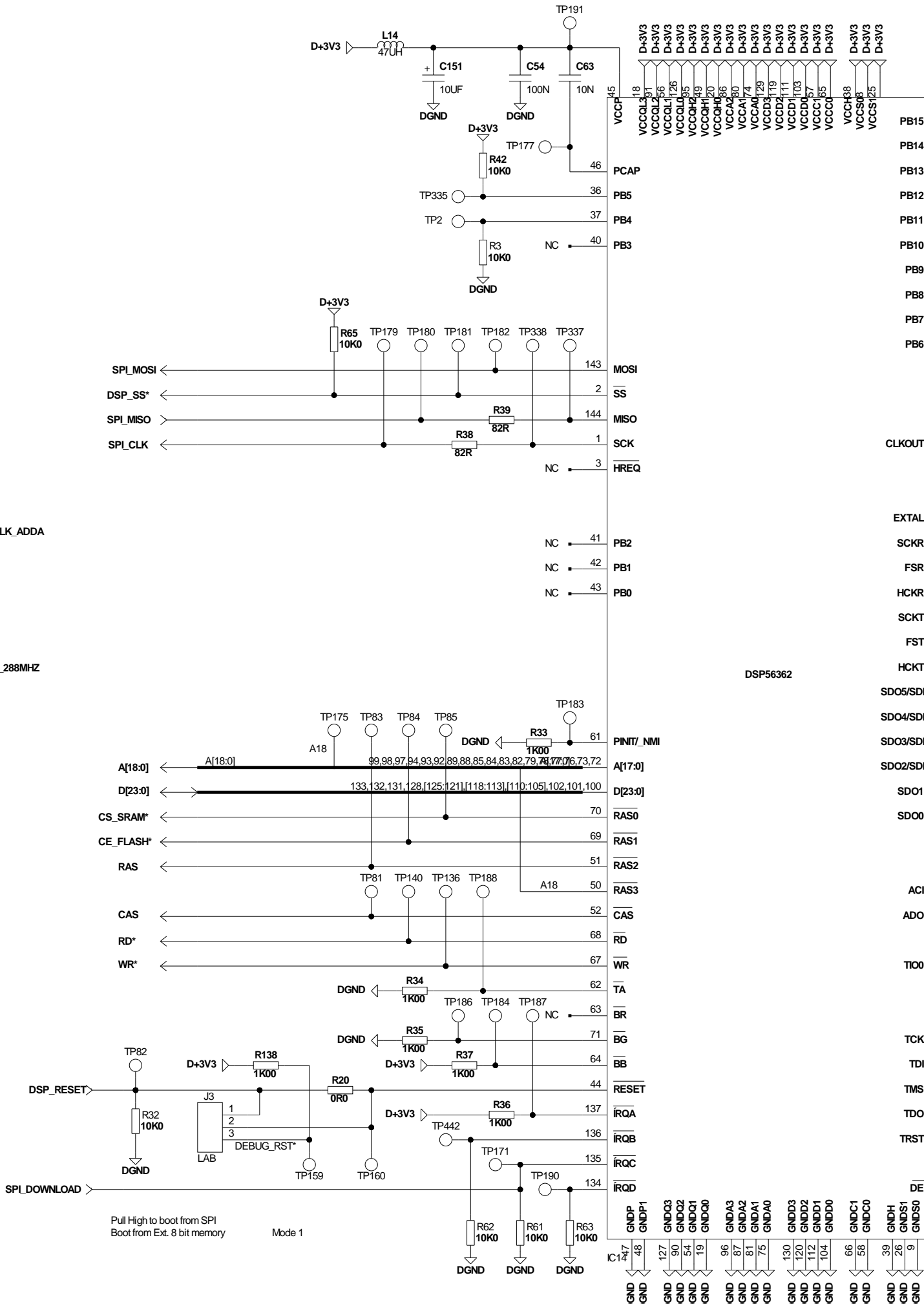
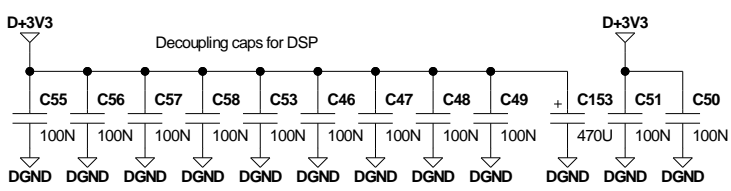
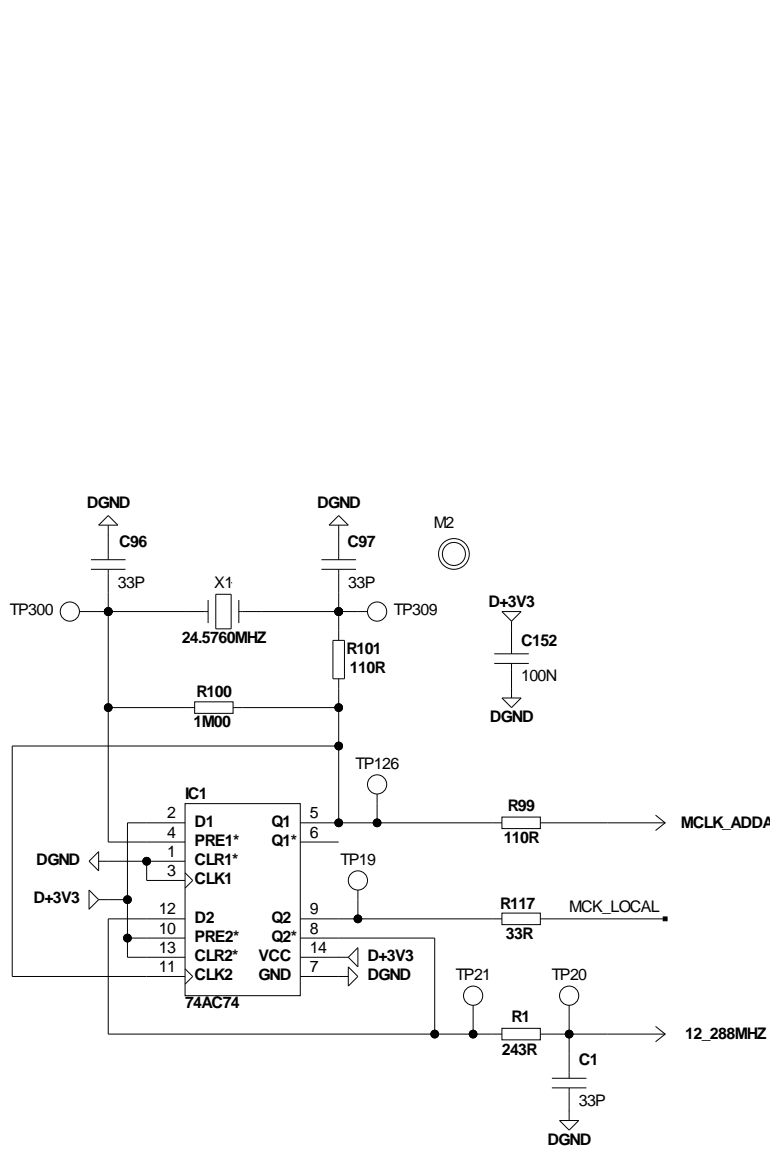
GUI 2

LEFT/MONO INPUT



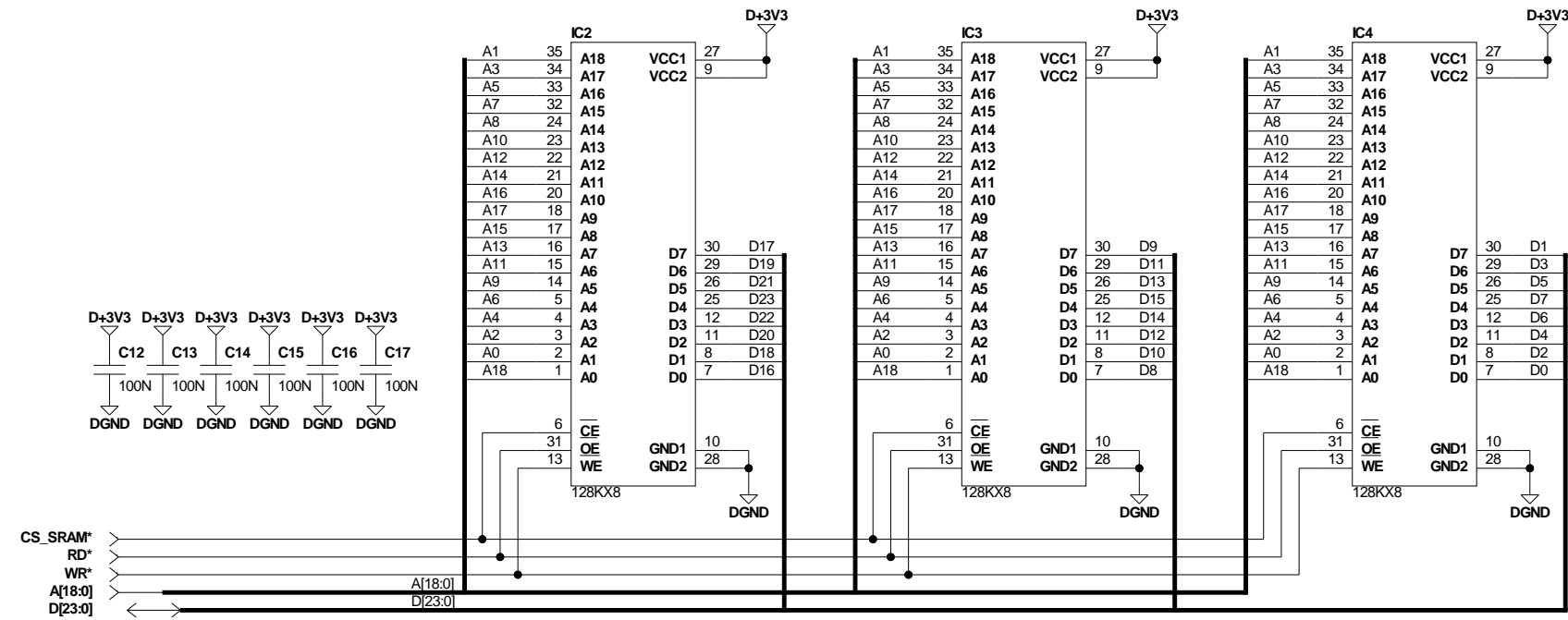


TC Electronic A/S		Designer SAK
Title HANS_G1	Module title MAINBOARD FOR 3C	
Number P22612_C	Revision CBD	Previous page XX
Date 1-24-2008_14:25	Filename CODEC_A_OUT	Page / of 3 / 6



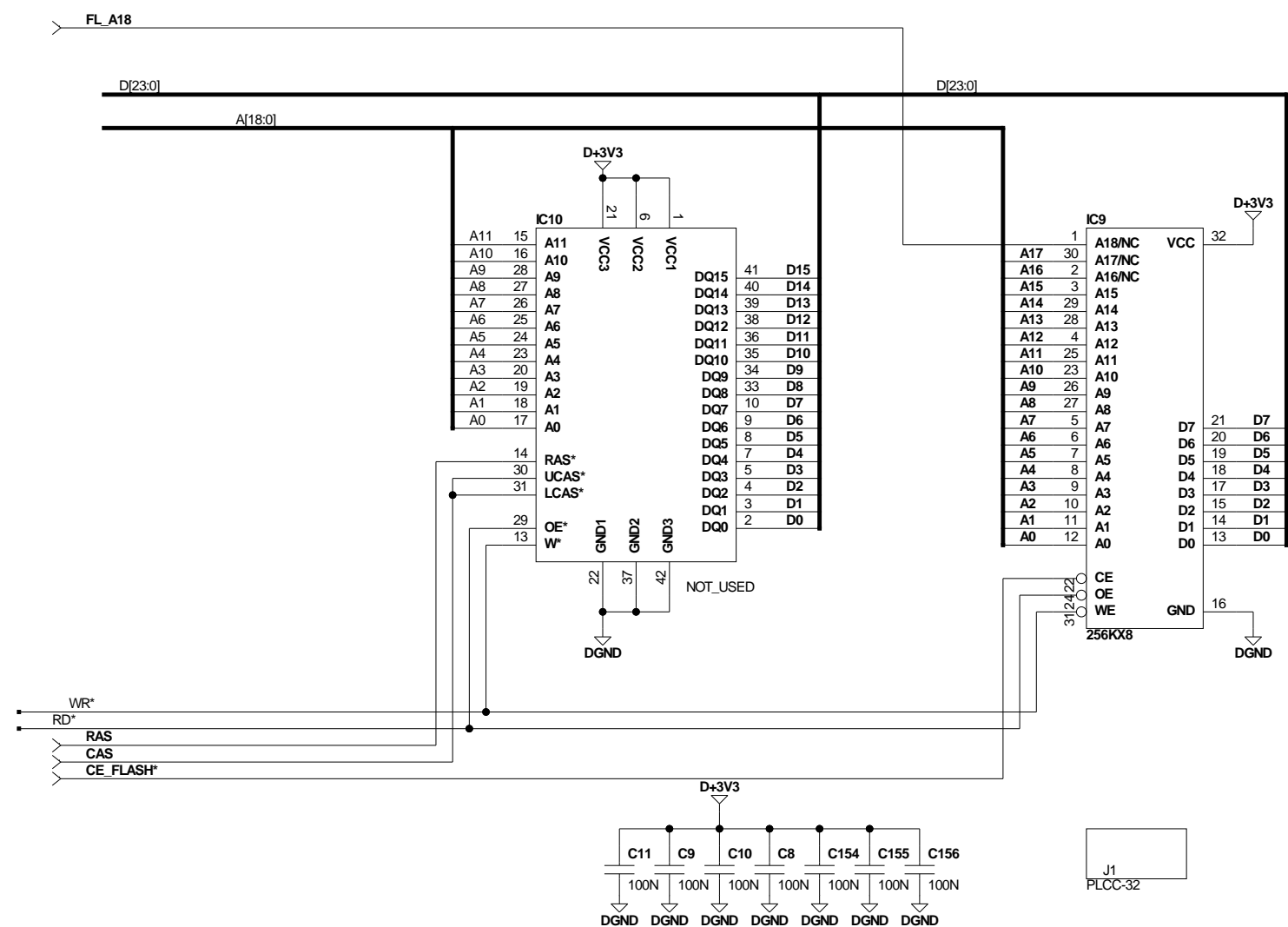
TC Electronic A/S		Designer DKH
Title HANS_G1	Module title MAINBOARD FOR 3C	Previous page XX
Number P22612_C	Revision CBD	Page / of 4 / 6
Date 1-24-2008_14:23	Filername DSP	

SOJ36/400 mil - 128k/512k

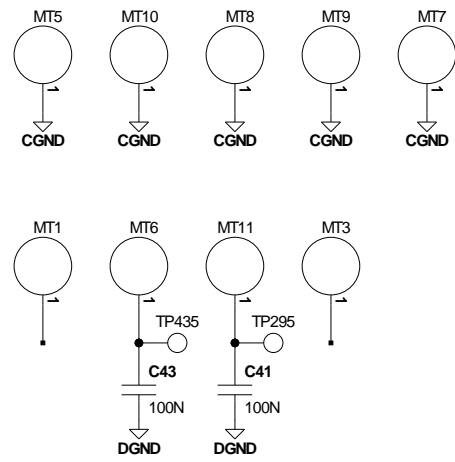
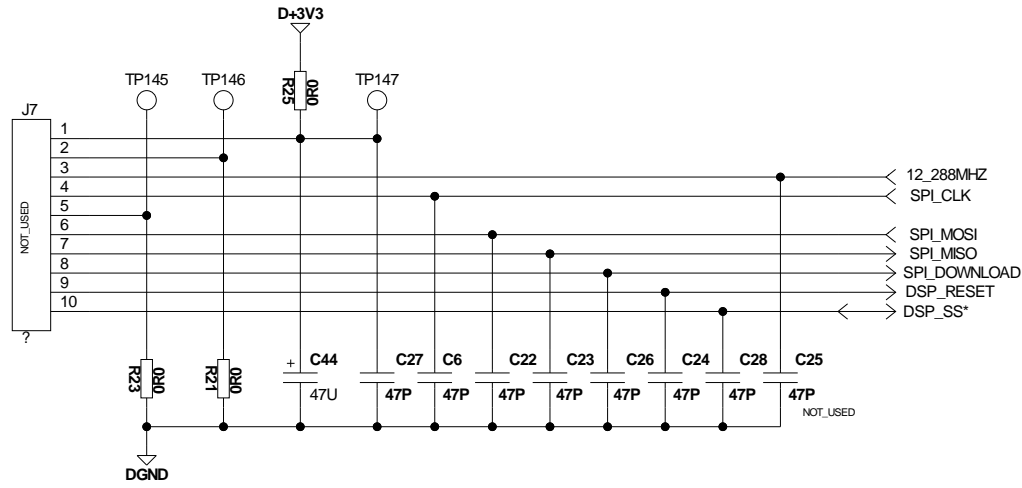


- A[17:0]
- A17 ○ TP282
 - A16 ○ TP60
 - A15 ○ TP59
 - A14 ○ TP57
 - A13 ○ TP58
 - A12 ○ TP53
 - A11 ○ TP54
 - A10 ○ TP55
 - A9 ○ TP56
 - A8 ○ TP46
 - A7 ○ TP47
 - A6 ○ TP49
 - A5 ○ TP48
 - A4 ○ TP52
 - A3 ○ TP51
 - A2 ○ TP50
 - A1 ○ TP61
 - A0 ○ TP45

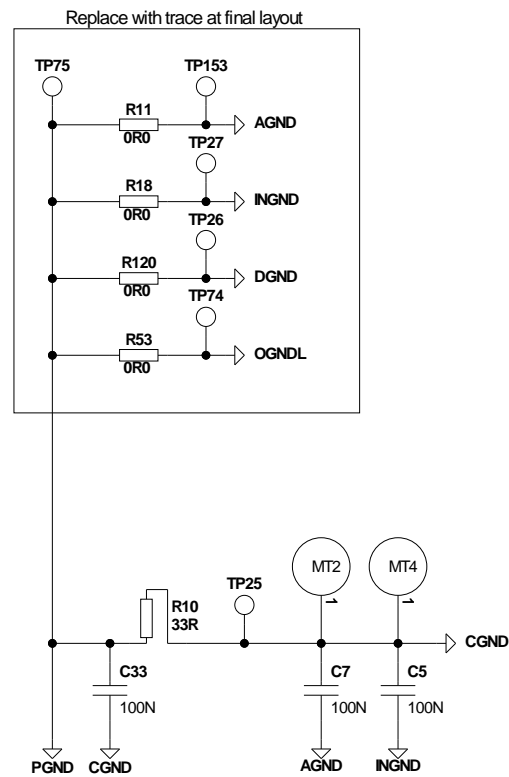
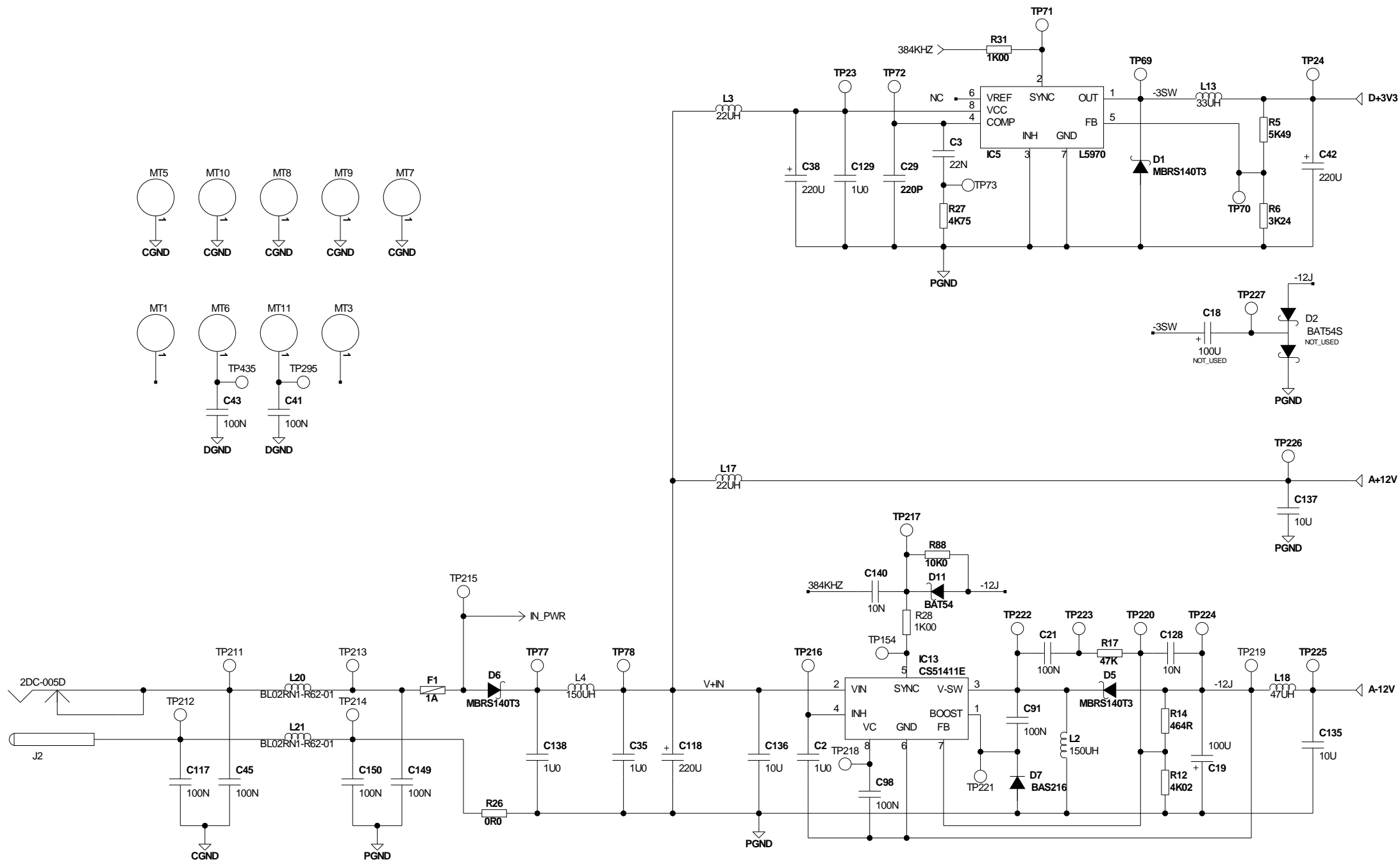
- D[23:0]
- D23 ○ TP28
 - D22 ○ TP29
 - D21 ○ TP30
 - D20 ○ TP31
 - D19 ○ TP32
 - D18 ○ TP33
 - D17 ○ TP34
 - D16 ○ TP35
 - D15 ○ TP36
 - D14 ○ TP37
 - D13 ○ TP39
 - D12 ○ TP38
 - D11 ○ TP43
 - D10 ○ TP42
 - D9 ○ TP41
 - D8 ○ TP40
 - D7 ○ TP44
 - D6 ○ TP68
 - D5 ○ TP67
 - D4 ○ TP65
 - D3 ○ TP66
 - D2 ○ TP62
 - D1 ○ TP63
 - D0 ○ TP64



UI Connector



POWER



TC Electronic A/S		Designer DKH/SAK
Title HANS_G1		Module title MAINBOARD FOR 3C
Number P22612_C	Revision CBD	Previous page XX
Date 1-24-2008_14:24	Filename INTERFACE	Page / of 6 / 6