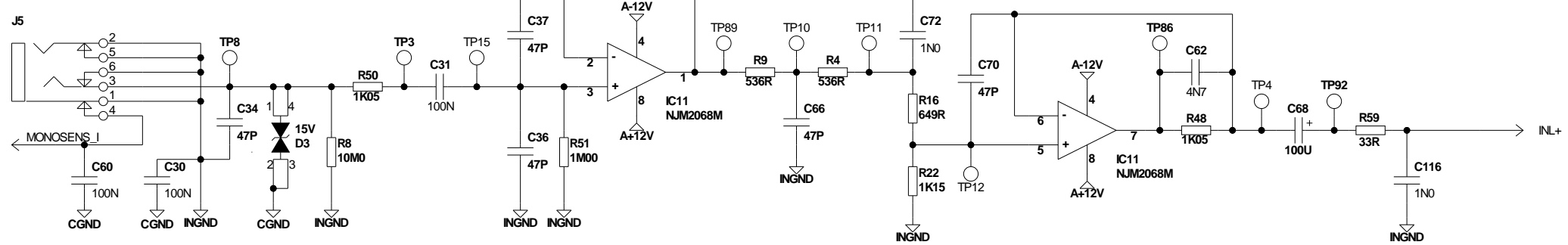


| | | |
|--------------------------|----------------------|----------------------------------|
| TC Electronic A/S | | Designer DKH/SAK |
| Title HANS_G1 | | Module title MAINBOARD FOR 4M |
| Number P22612_C | Revision CCA | Previous page XX |
| Date 1-24-2008_14:19 | Filename P22612-C | Page / of 1 / 6 |

GUI 1

RIGHT INPUT



-1 dBFS input level 16 dBu @ gain 0 dB

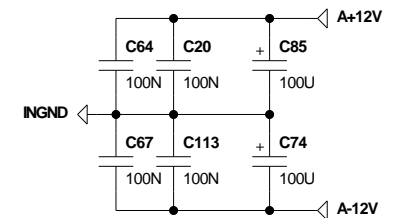
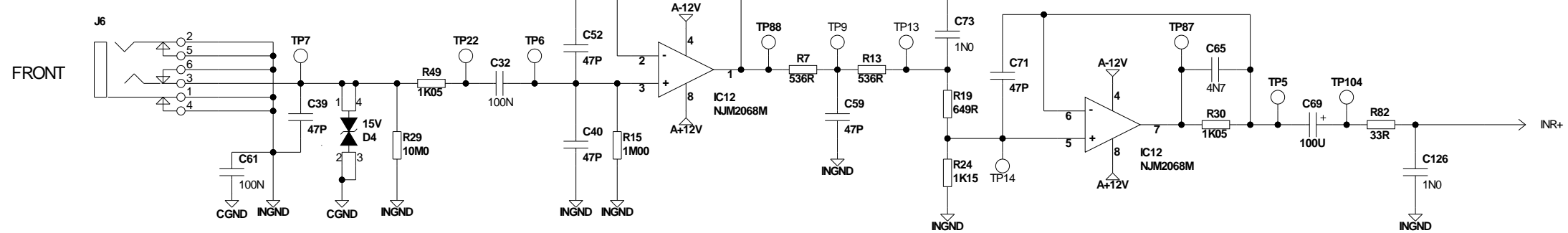
Attn. 0.19692, -14.11 dB

nom. 1.89 dBu

Codec: 0 dBFS = 2.93 dBu, -1 dBFS = 1.93 dBu

GUI 2

LEFT/MONO INPUT



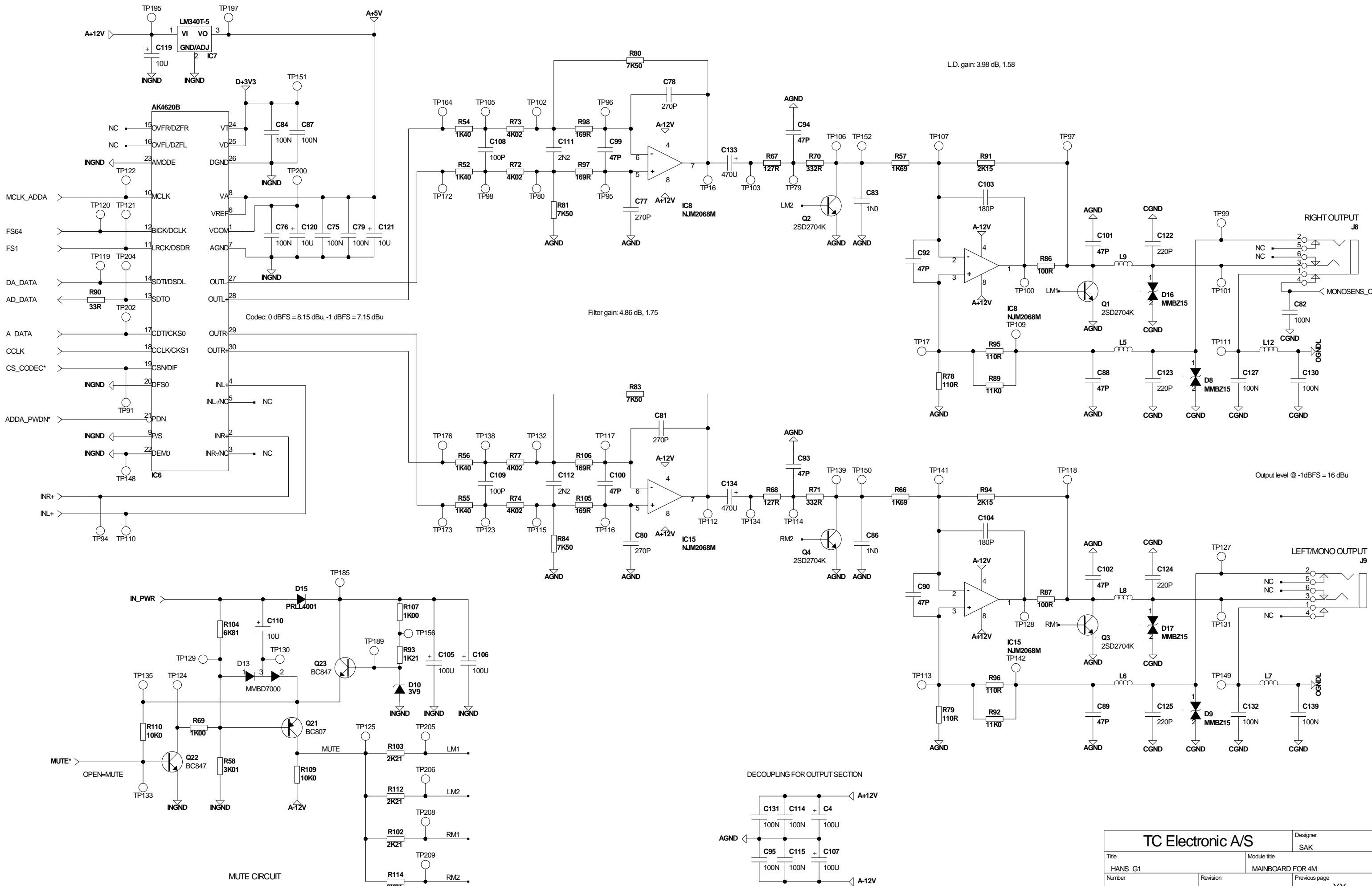
TC Electronic A/S

Designer
DKH

Title
HANS_G1
Module title
MAINBOARD FOR 4M

Number
P22612_C
Revision
CCA
Previous page
XX

Date
1-24-2008_14:17
Filename
GUITAR_INPUT
Page / of
2 / 6



Codec: 0 dBFS = 8.15 dBu, -1 dBFS = 7.15 dBu

Filter gain: 4.86 dB, 1.75

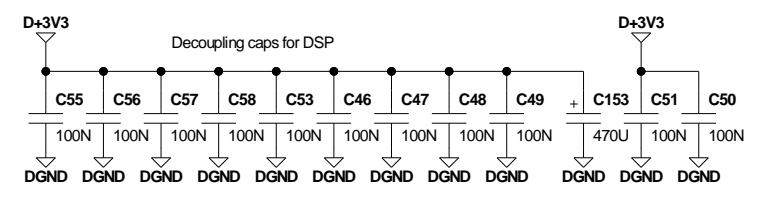
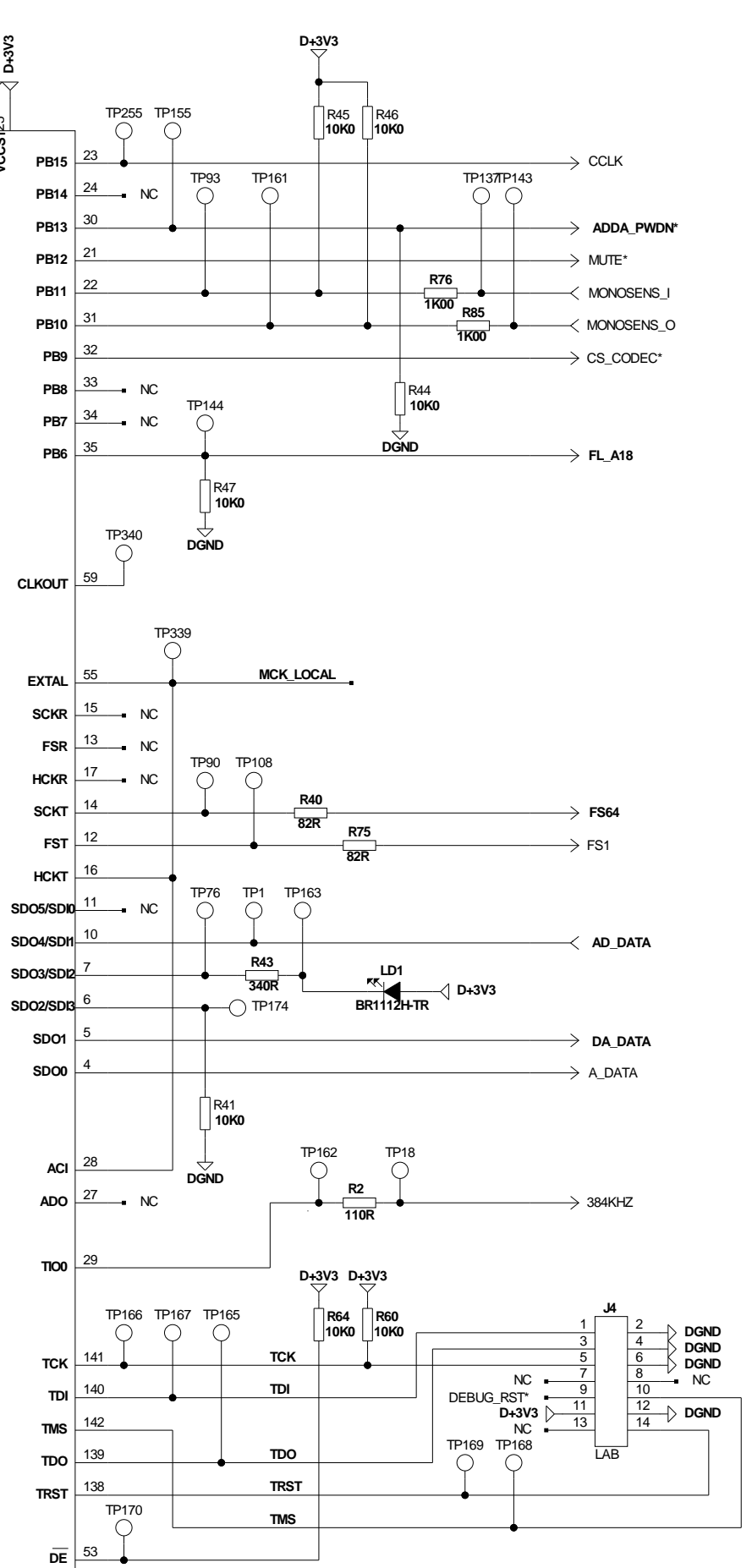
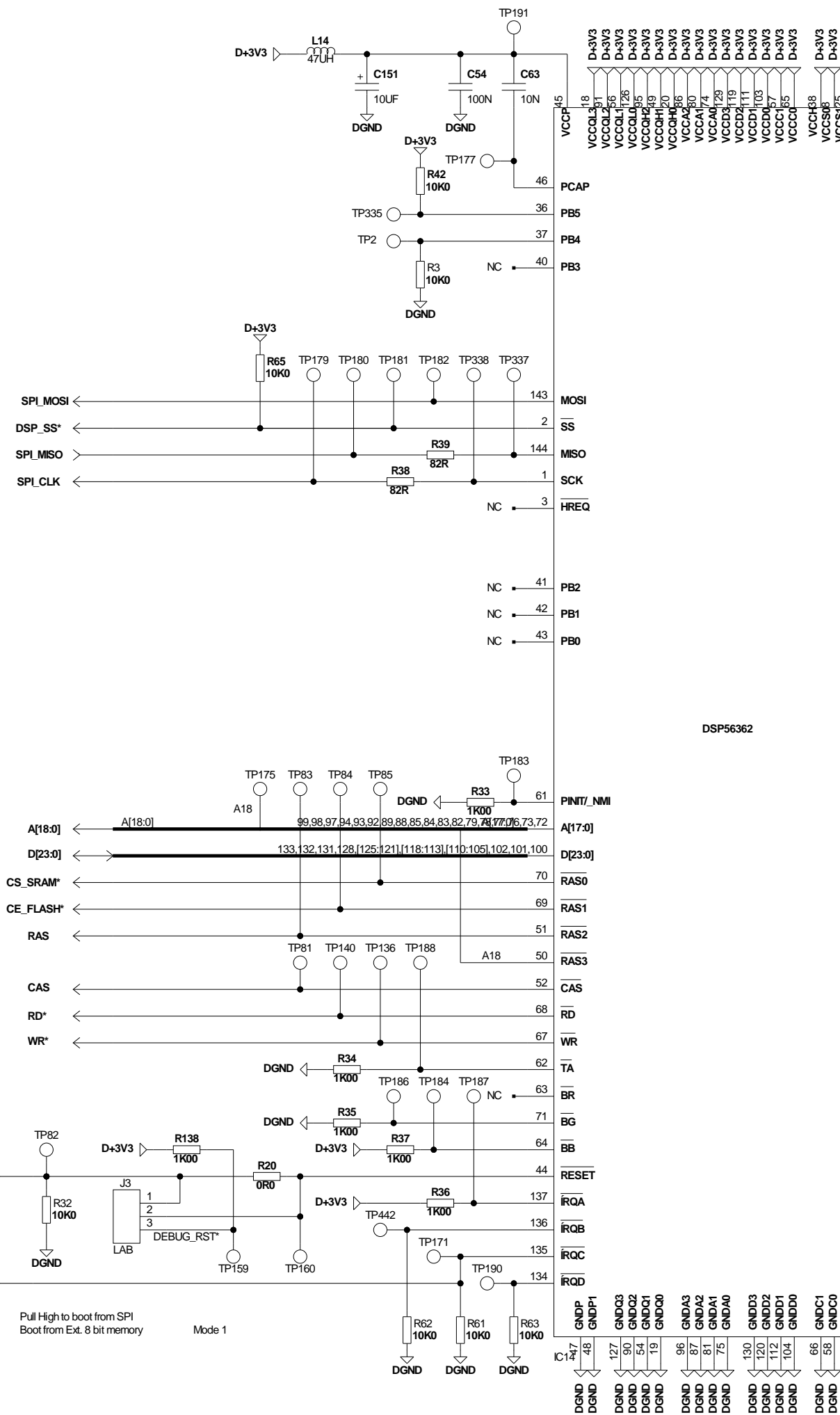
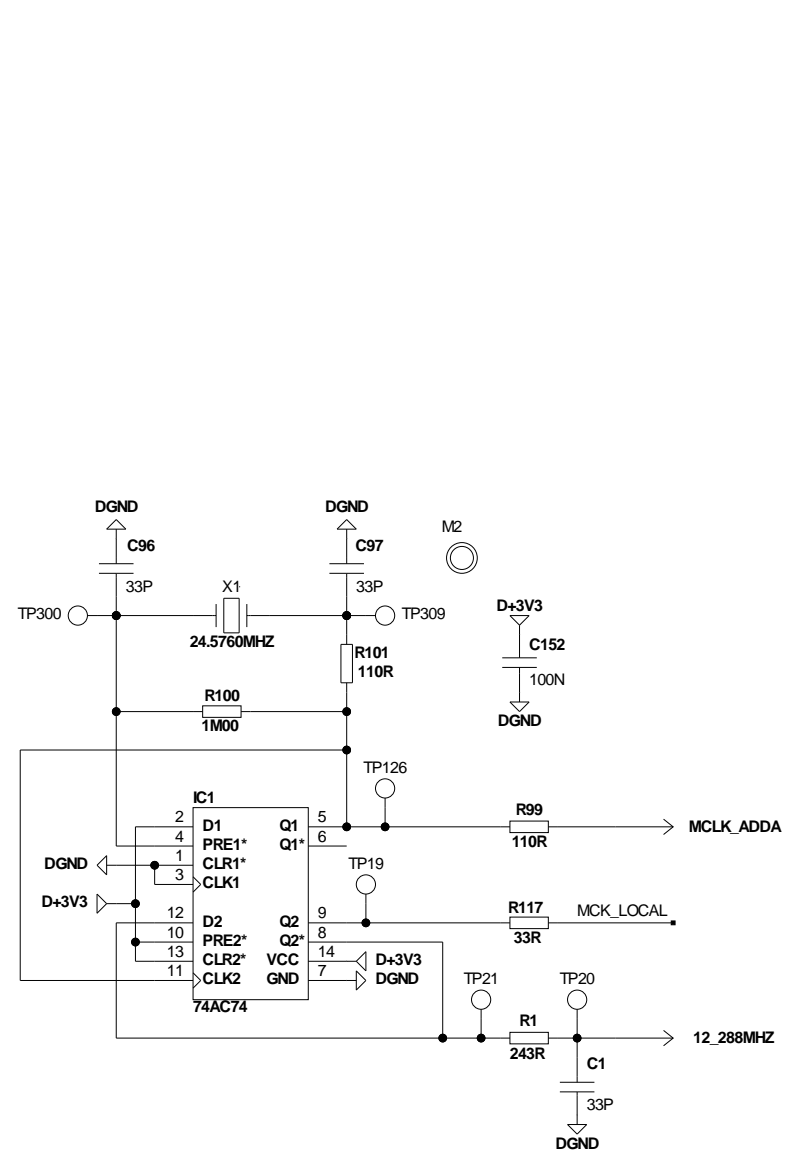
L.D. gain: 3.98 dB, 1.58

Output level @ -1dBFS = 16 dBu

MUTE CIRCUIT

DECOUPLING FOR OUTPUT SECTION

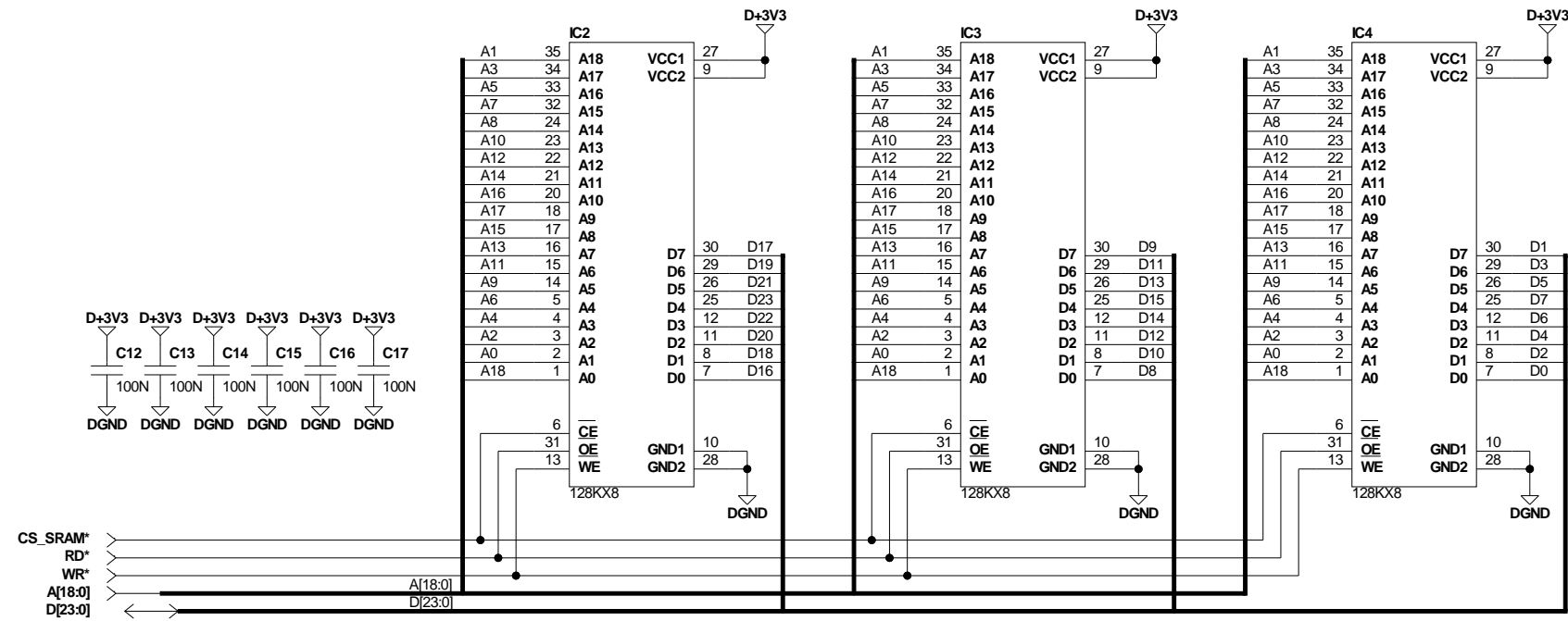
| | | |
|--------------------------|----------------------------------|---------------------|
| TC Electronic A/S | | Designer SAK |
| Title HANS_G1 | Module title MAINBOARD FOR 4M | |
| Number P22612_C | Revision CCA | Previous page XX |
| Date 1-24-2008_14:18 | Filename CODEC_A_OUT | Page / of 3 / 6 |



Pull High to boot from SPI
Boot from Ext. 8 bit memory Mode 1

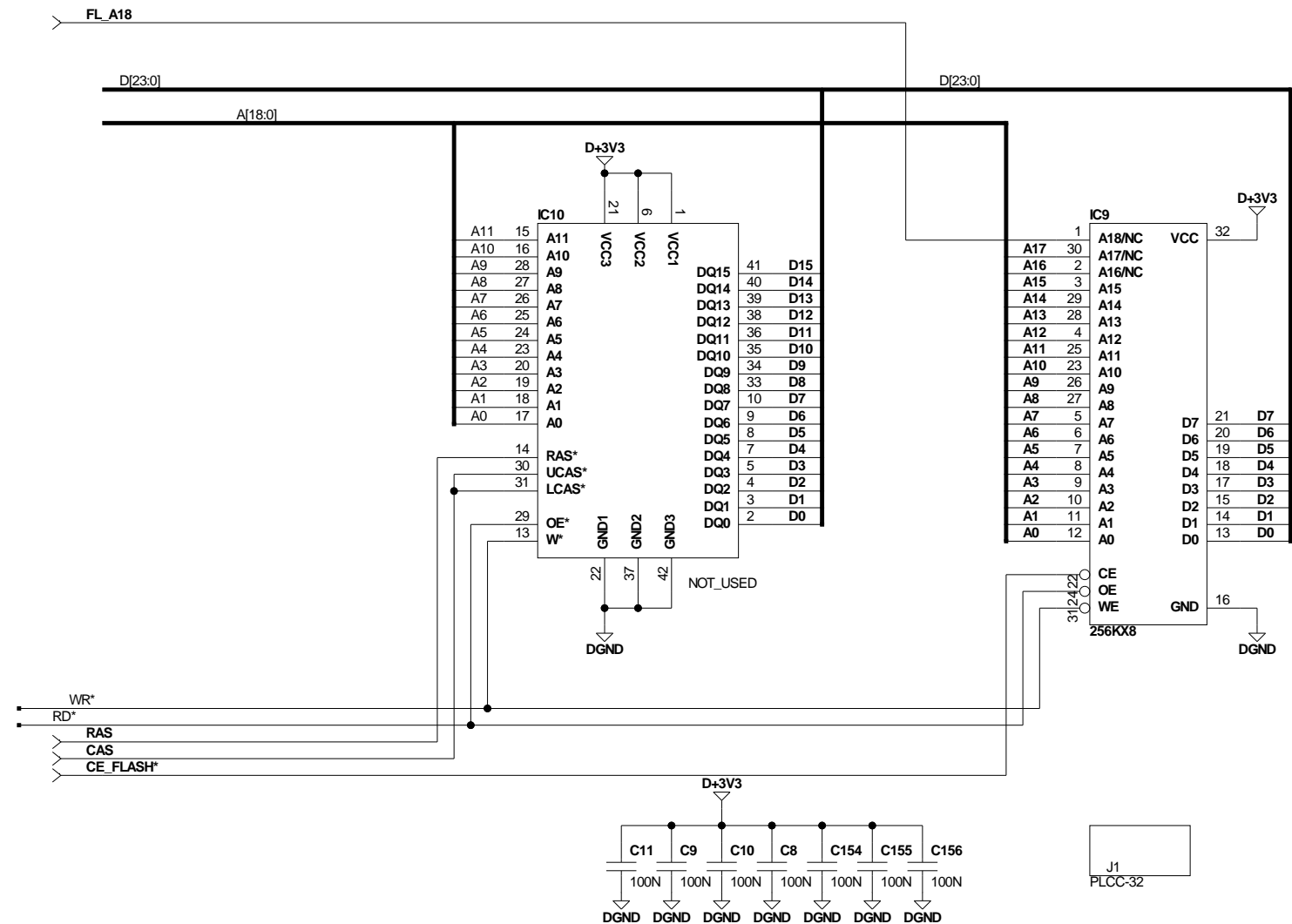
| | | |
|--------------------------|----------------------------------|---------------------|
| TC Electronic A/S | | Designer DKH |
| Title HANS_G1 | Module title MAINBOARD FOR 4M | Previous page XX |
| Number P22612_C | Revision CCA | Page / of 4 / 6 |
| Date 1-24-2008_14:17 | Filename DSP | |

SOJ36/400 mil - 128k/512k

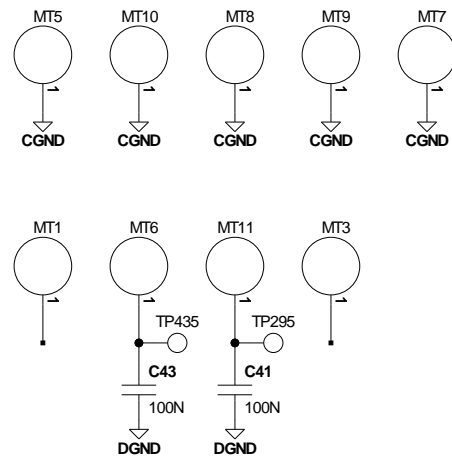
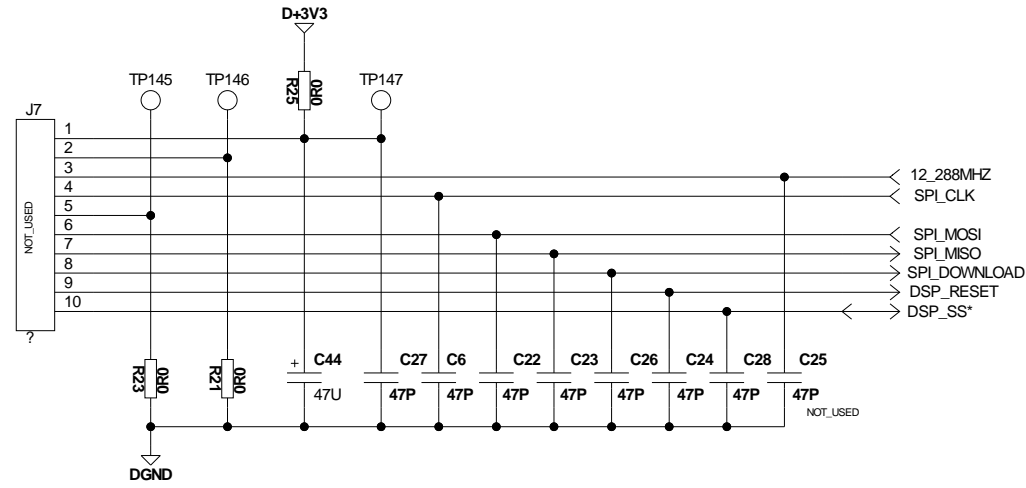


- A[17:0]
- A17 ○ TP282
 - A16 ○ TP60
 - A15 ○ TP59
 - A14 ○ TP57
 - A13 ○ TP58
 - A12 ○ TP53
 - A11 ○ TP54
 - A10 ○ TP55
 - A9 ○ TP56
 - A8 ○ TP46
 - A7 ○ TP47
 - A6 ○ TP49
 - A5 ○ TP48
 - A4 ○ TP52
 - A3 ○ TP51
 - A2 ○ TP50
 - A1 ○ TP61
 - A0 ○ TP45

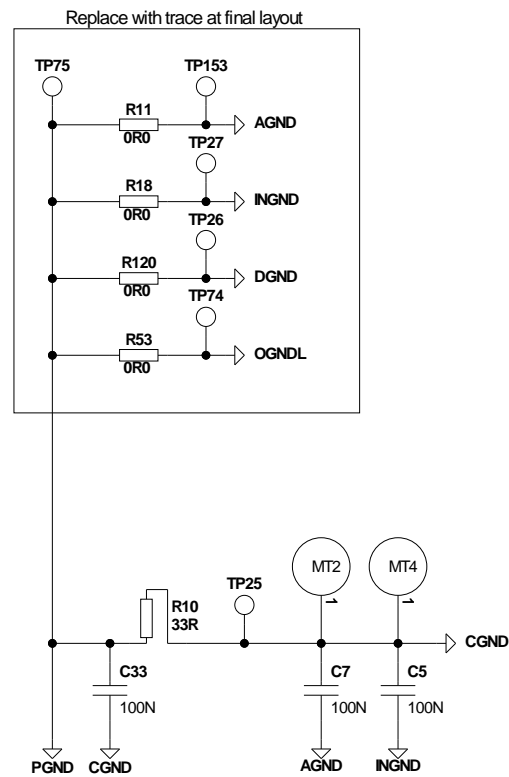
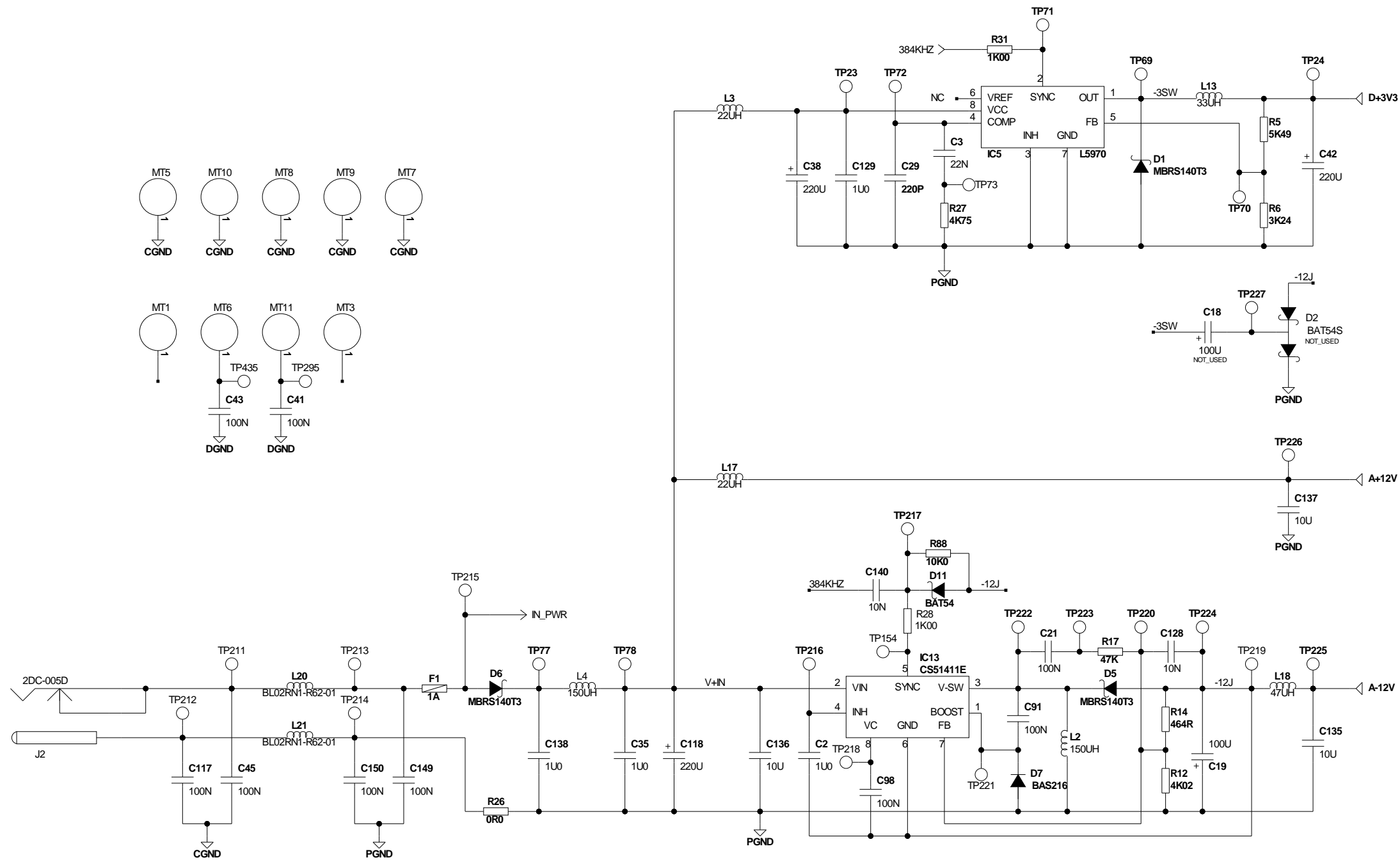
- D[23:0]
- D23 ○ TP28
 - D22 ○ TP29
 - D21 ○ TP30
 - D20 ○ TP31
 - D19 ○ TP32
 - D18 ○ TP33
 - D17 ○ TP34
 - D16 ○ TP35
 - D15 ○ TP36
 - D14 ○ TP37
 - D13 ○ TP39
 - D12 ○ TP38
 - D11 ○ TP43
 - D10 ○ TP42
 - D9 ○ TP41
 - D8 ○ TP40
 - D7 ○ TP44
 - D6 ○ TP68
 - D5 ○ TP67
 - D4 ○ TP65
 - D3 ○ TP66
 - D2 ○ TP62
 - D1 ○ TP63
 - D0 ○ TP64



UI Connector



POWER



| | | | |
|-----------------|-----------|------------------|--|
| Title | | Designer | |
| HANS_G1 | | DKH/SAK | |
| Module title | | MAINBOARD FOR 4M | |
| Number | Revision | Previous page | |
| P22612_C | CCA | XX | |
| Date | Filename | Page / of | |
| 1-24-2008_14:17 | INTERFACE | 6 / 6 | |