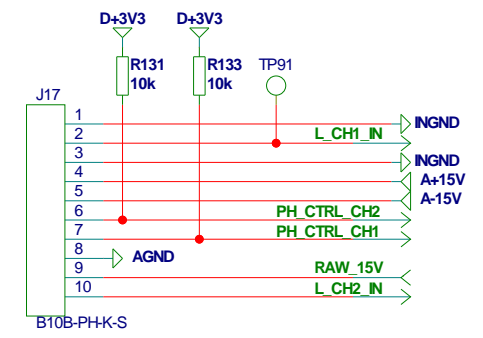
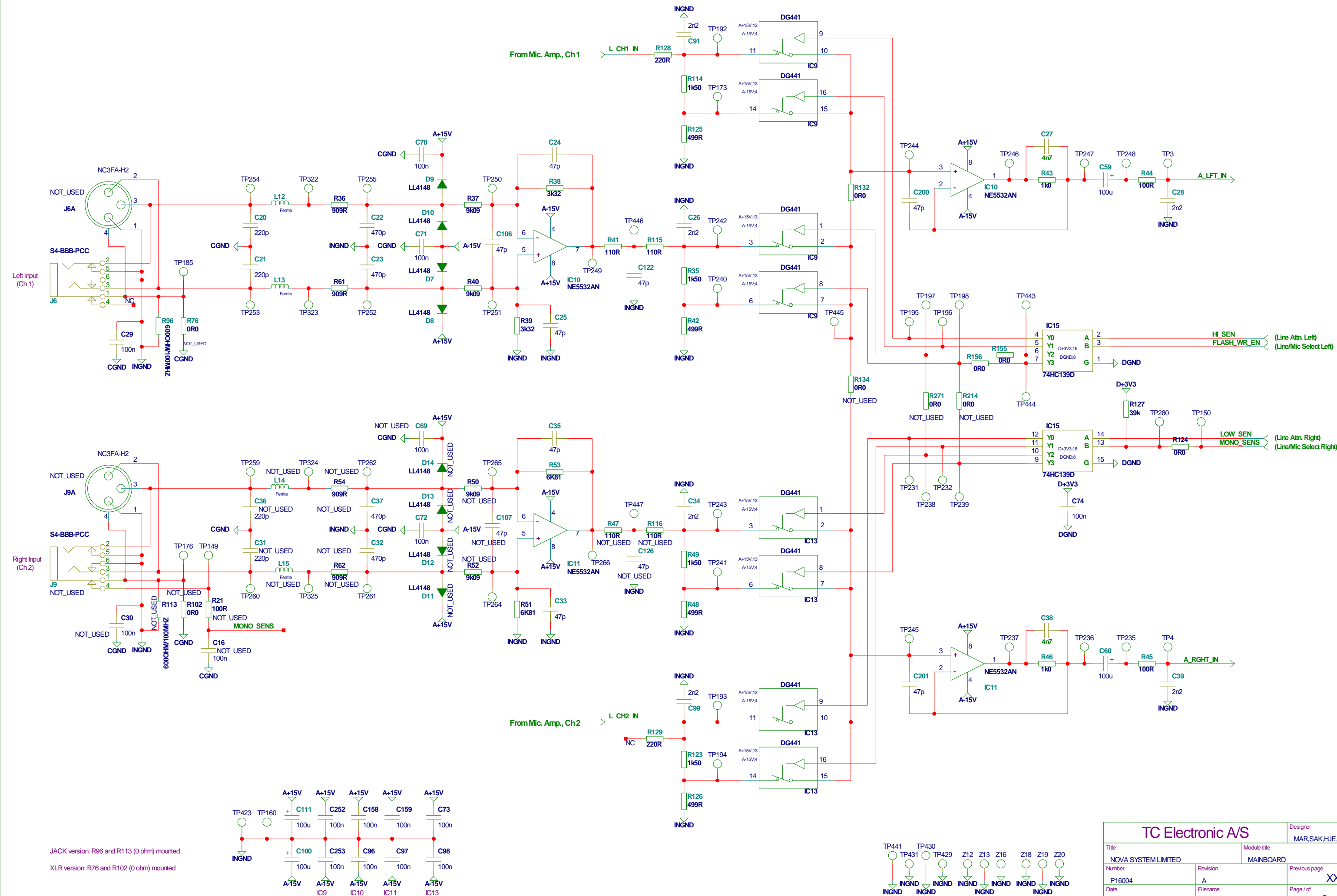


P16004-A
M10

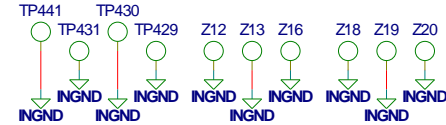
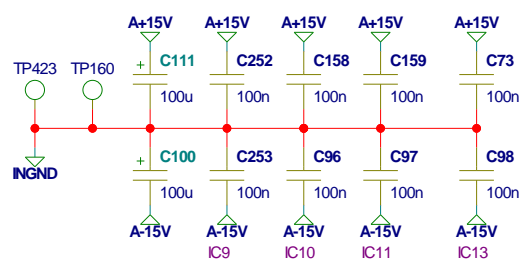
TC Electronic A/S		Designer MAR.SAK.HJE.NIM
Title NOVA SYSTEM LIMITED		Module title MAINBOARD
Number P16004	Revision ACA	Previous page XX
Date 1-23-2008_15:24	Filename P16004-A	Page / of 1 / 11



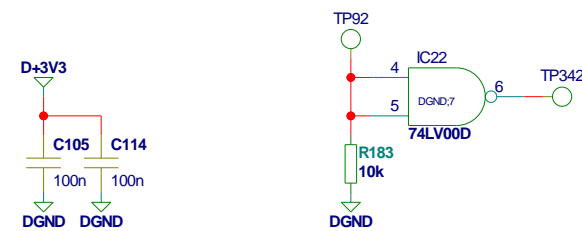
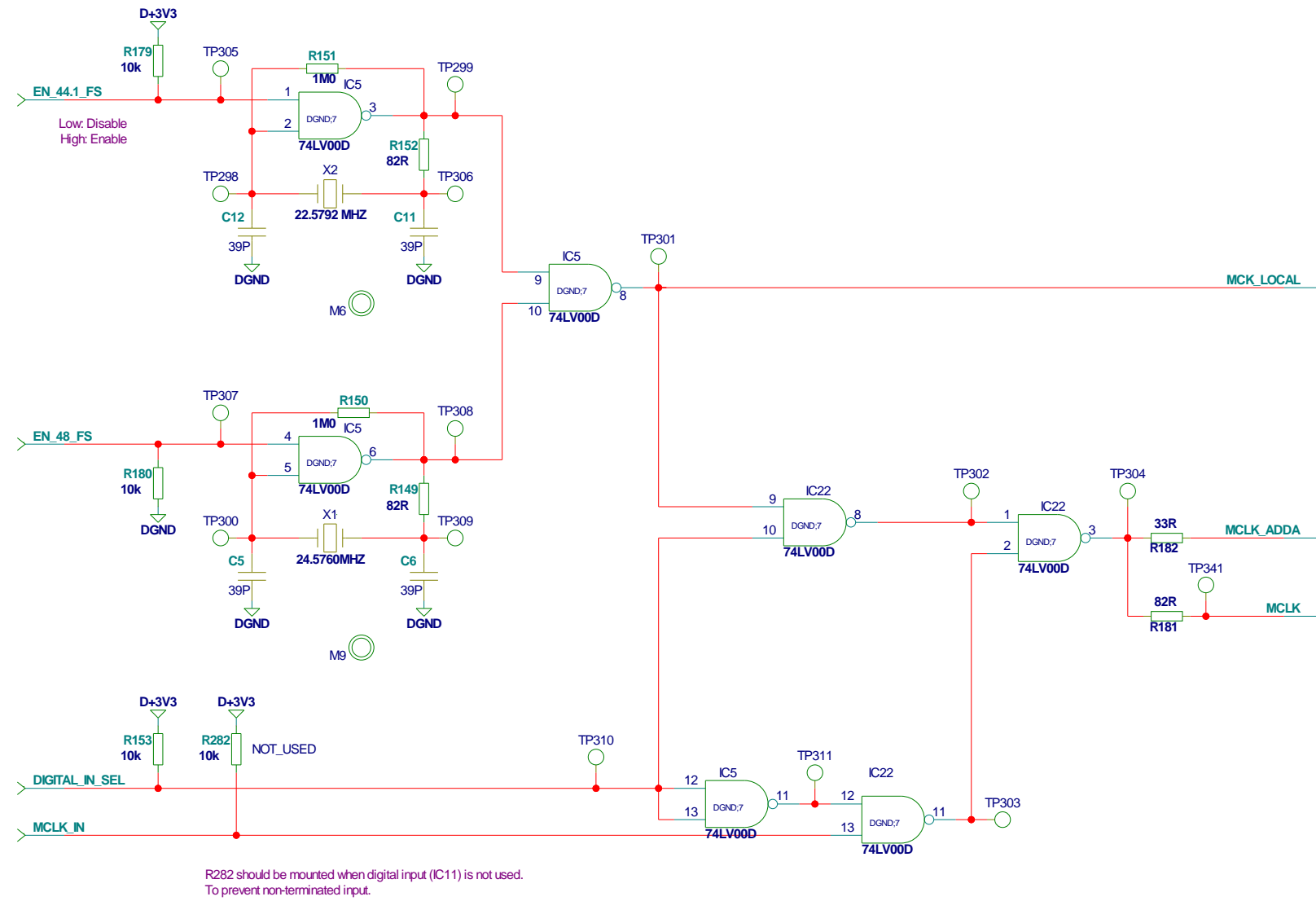
TC Electronic A/S		Designer
NOVA SYSTEM LIMITED		MAR,SAK,HJE,NIM
Number	Revision	Module title
P16004	ACA	MAINBOARD
Date	Filename	Previous page
1-23-2008_15:27	MIC_IN	XX
		Page / of
		9 / 11

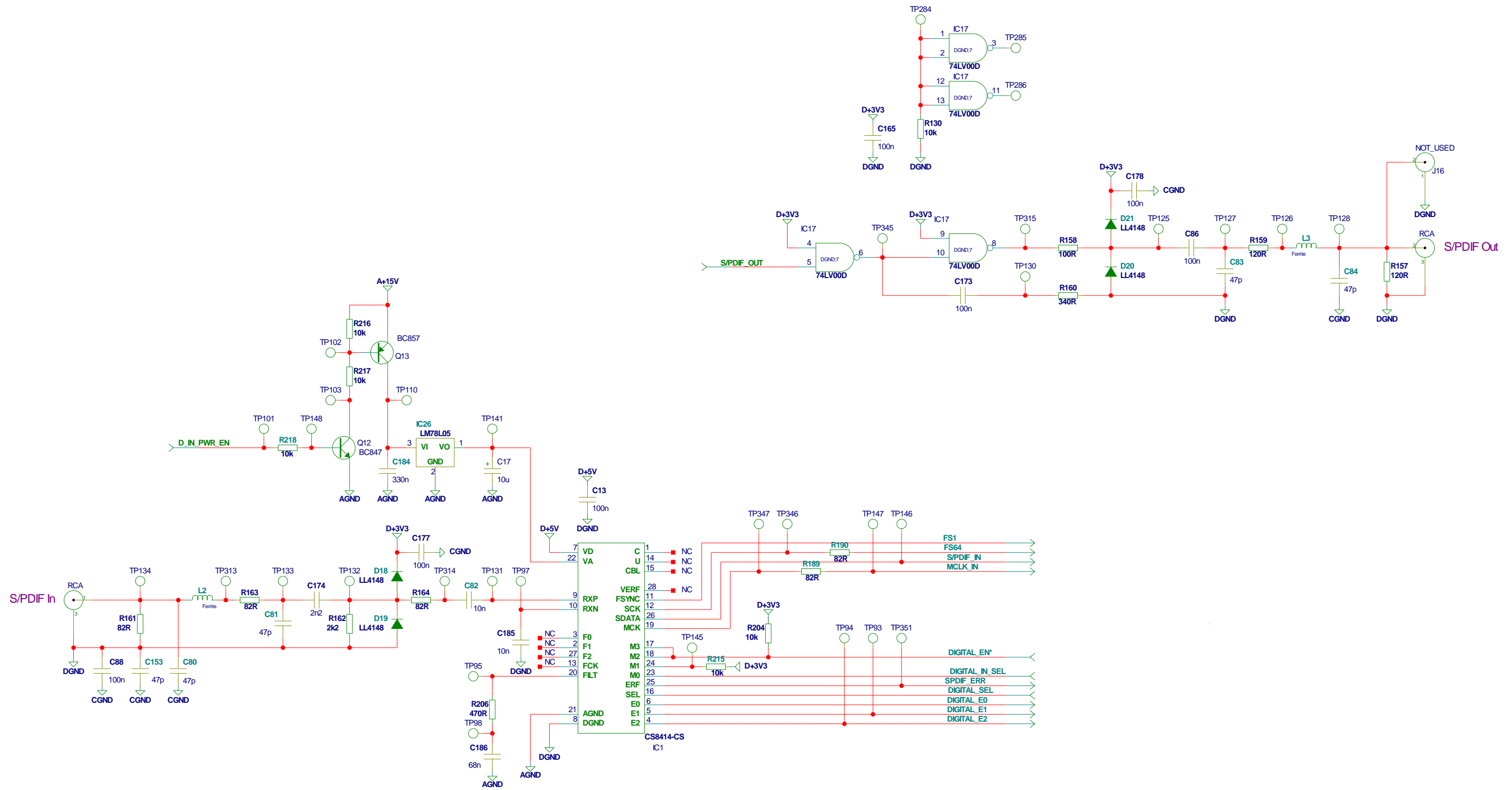


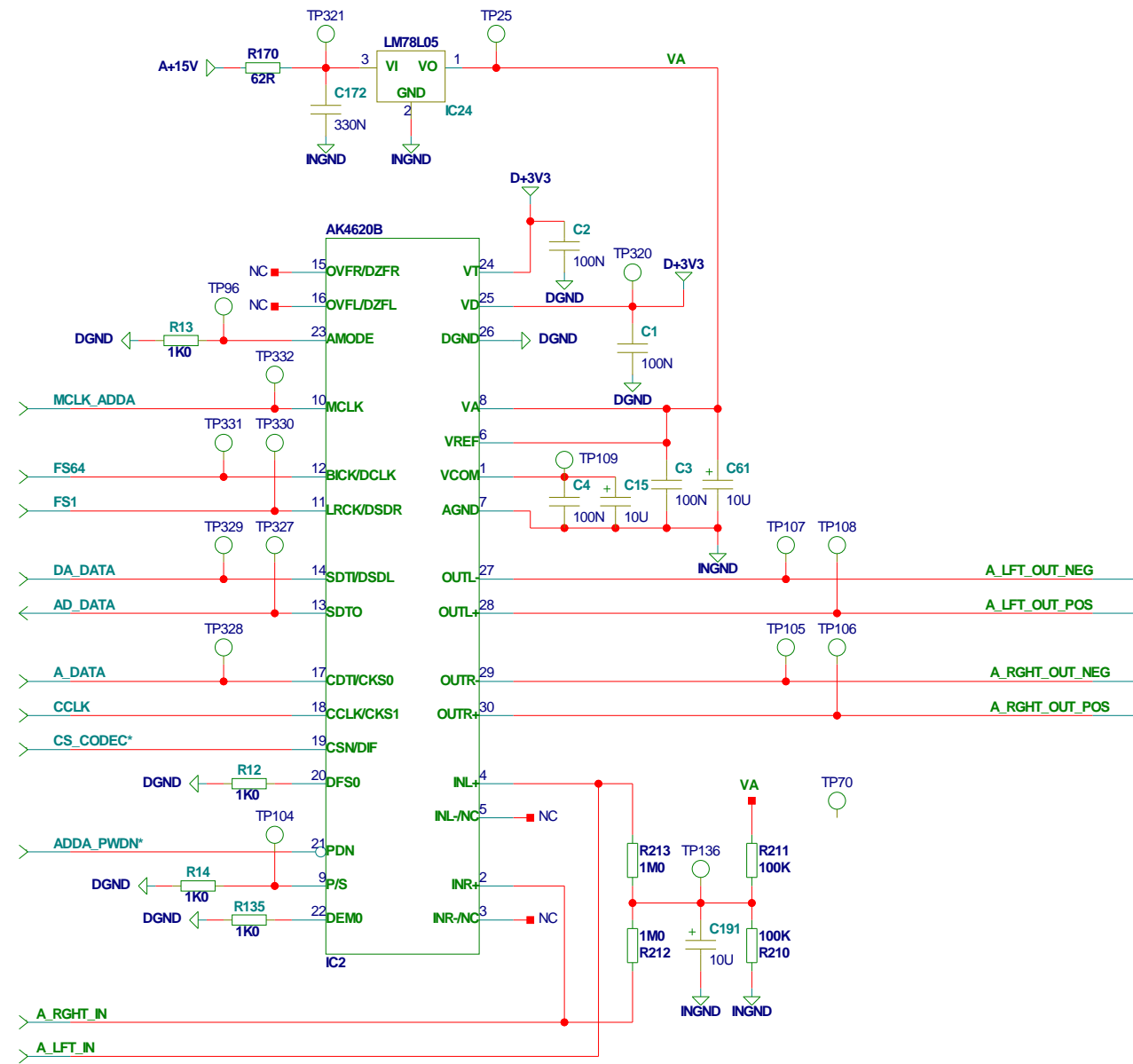
JACK version: R96 and R113 (0 ohm) mounted.
 XLR version: R76 and R102 (0 ohm) mounted

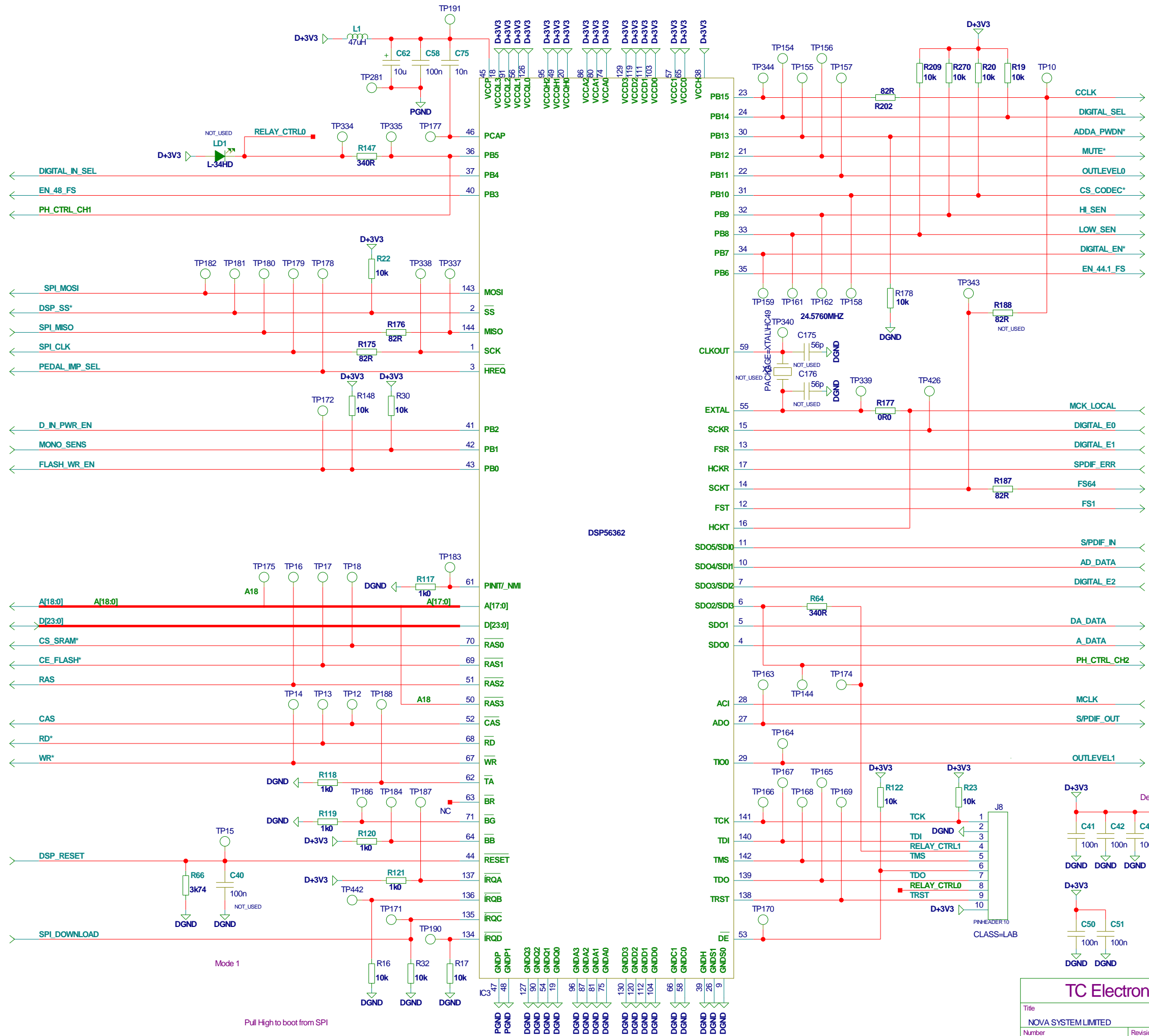


TC Electronic A/S		Designer MAR.SAK,HJE,NIM
Title NOVA SYSTEM LIMITED	Module title MAINBOARD	Previous page XX
Number P16004	Revision A	Page / of 2 / 11
Date 1-23-2008_15:25	Filename ANALOG_IN	









DIGITAL_IN_SEL
EN_48_FS
PH_CTRL_CH1

SPI_MOSI
DSP_SS*
SPI_MISO
SPI_CLK
PEDAL_IMP_SEL

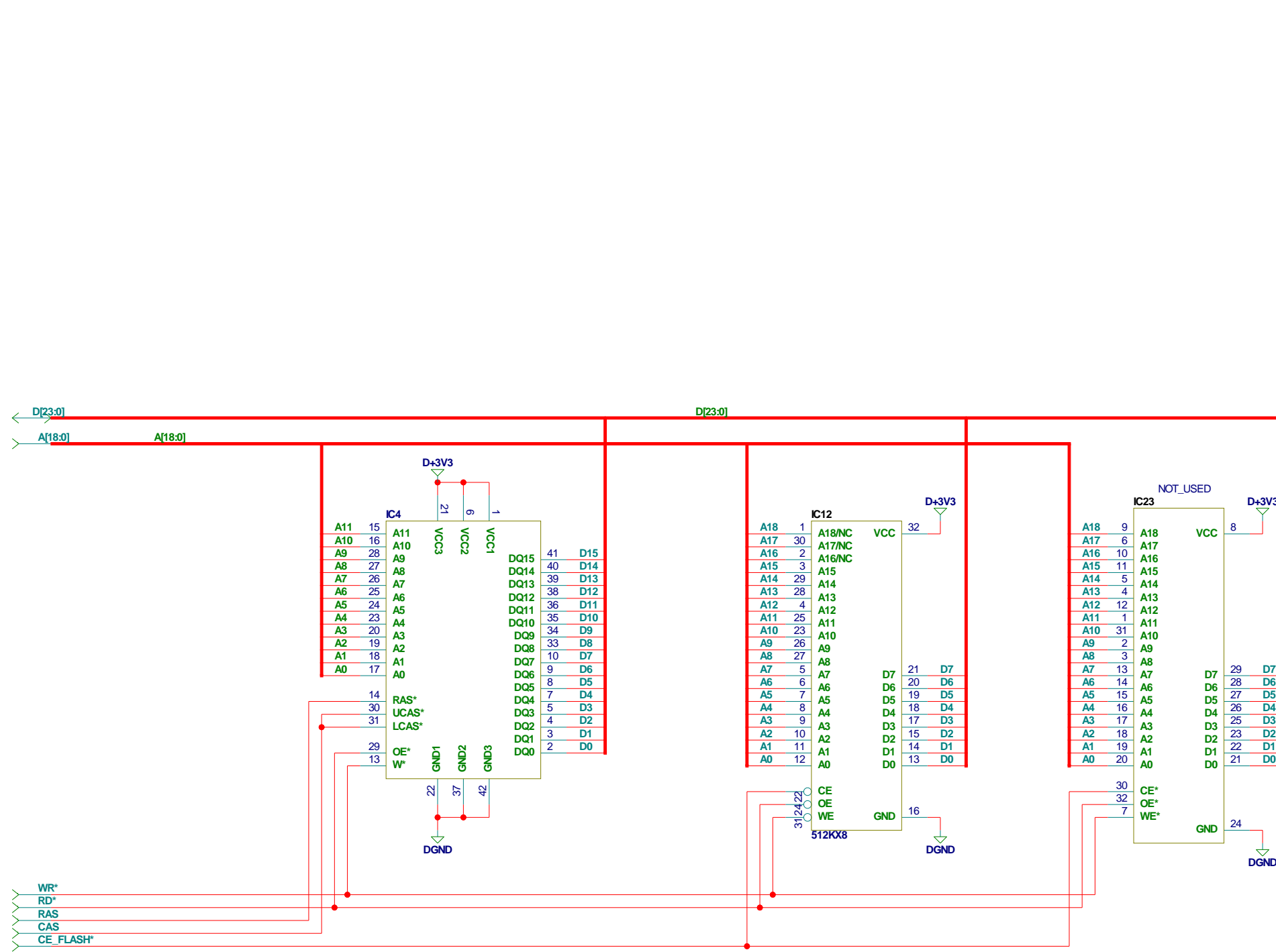
D_IN_PWR_EN
MONO_SENS
FLASH_WR_EN

A[18:0] A[18:0]
D[23:0]
CS_SRAM*
CE_FLASH*
RAS
CAS
RD*
WR*

DSP_RESET
SPI_DOWNLOAD

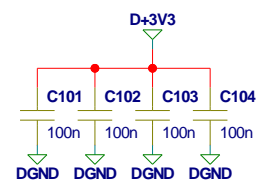
Mode 1
Pull High to boot from SPI
Boot from Ext. 8 bit memory

TC Electronic A/S		Designer MAR.SAK.HJE.NIM
Title NOVA SYSTEM LIMITED	Module title MAINBOARD	
Number P16004	Revision ACA	Previous page XX
Date 1-23-2008_15:28	Filename DSP	Page / of 10 / 11



J12

Note: Only one of the Flash types are mounted

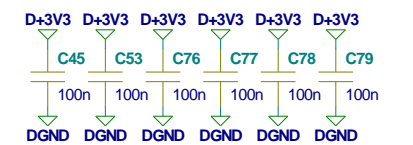
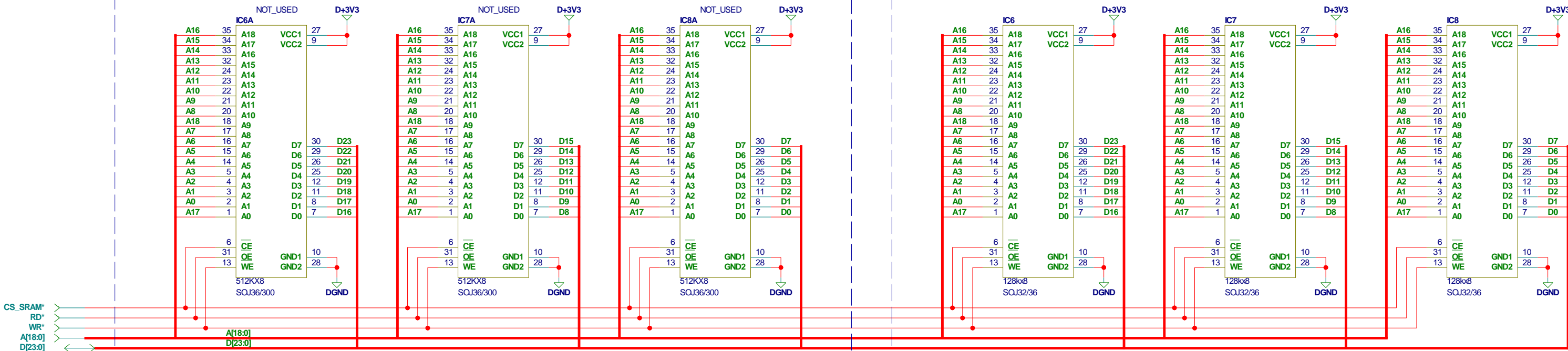


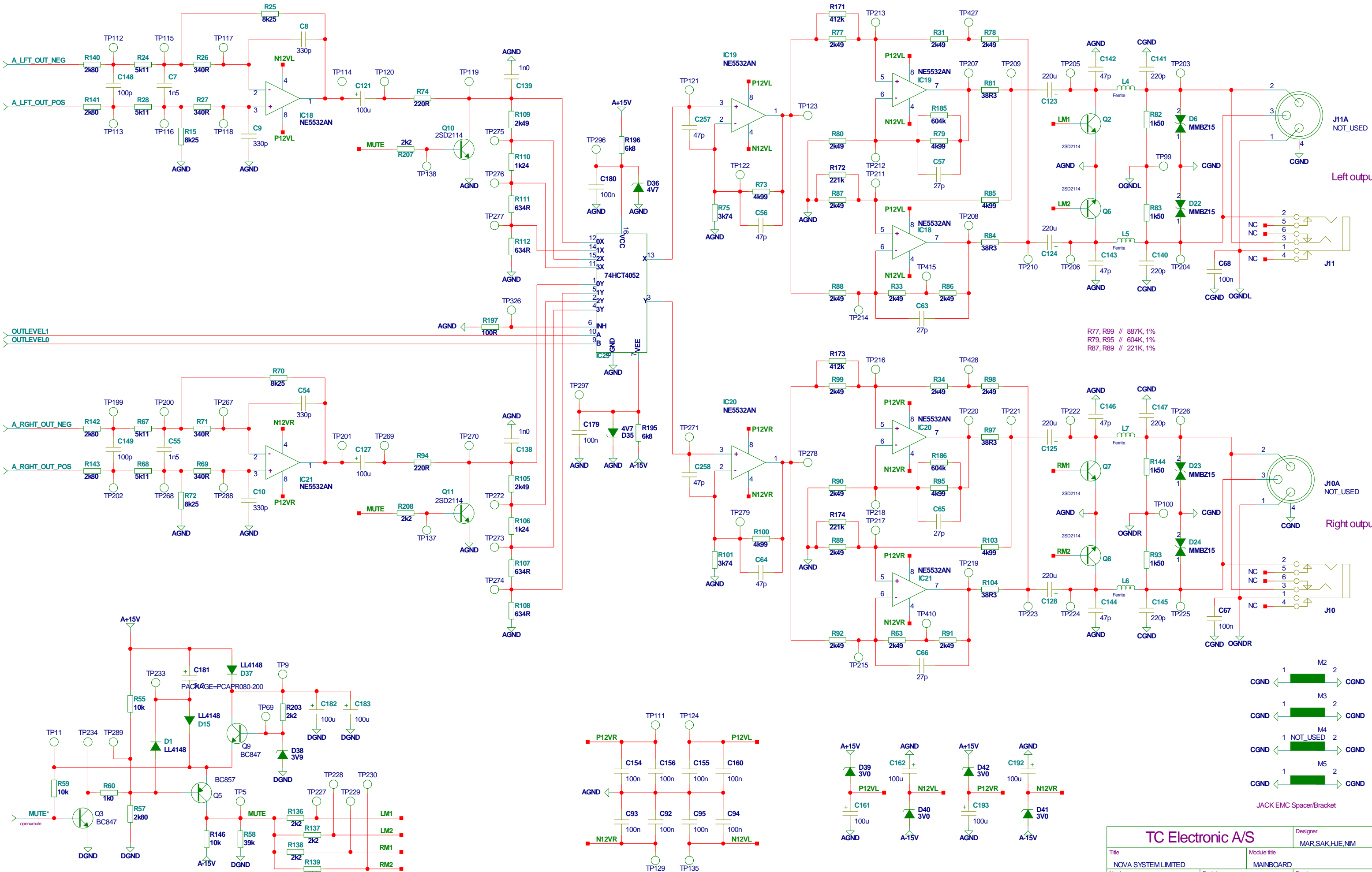
- A[17:0]
- A17 TP282
- A16 TP60
- A15 TP59
- A14 TP57
- A13 TP58
- A12 TP53
- A11 TP54
- A10 TP55
- A9 TP56
- A8 TP46
- A7 TP47
- A6 TP49
- A5 TP48
- A4 TP52
- A3 TP51
- A2 TP50
- A1 TP61
- A0 TP45

- D[23:0]
- D23 TP28
- D22 TP29
- D21 TP30
- D20 TP31
- D19 TP32
- D18 TP33
- D17 TP34
- D16 TP35
- D15 TP36
- D14 TP37
- D13 TP39
- D12 TP38
- D11 TP43
- D10 TP42
- D9 TP41
- D8 TP40
- D7 TP44
- D6 TP68
- D5 TP67
- D4 TP65
- D3 TP66
- D2 TP62
- D1 TP63
- D0 TP64

SOJ36/300 mil - 128k/512k

SOJ36/400 mil - 128k/512k





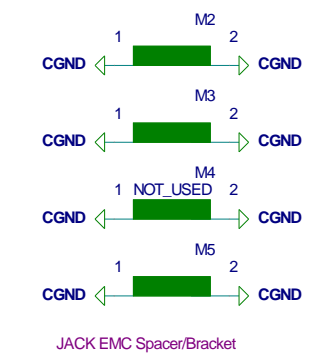
R77, R99 // 887K, 1%
 R79, R95 // 604K, 1%
 R87, R89 // 221K, 1%

OUTLEVEL1
 OUTLEVEL0

Mute circuit

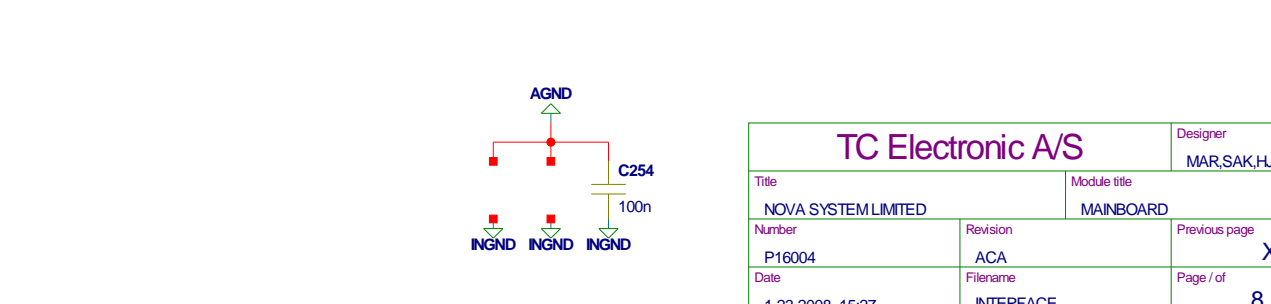
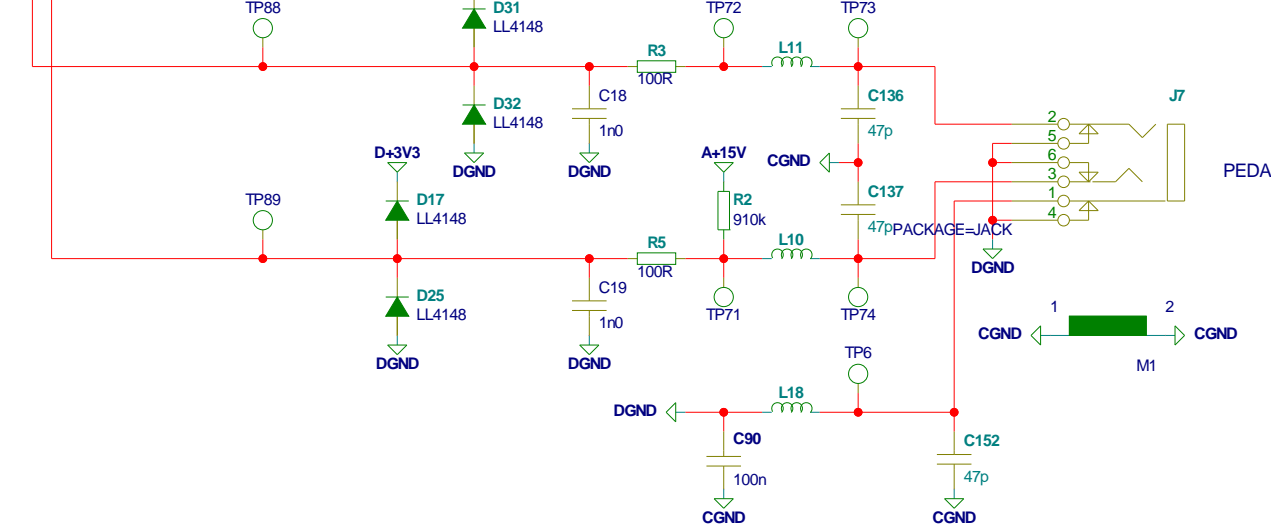
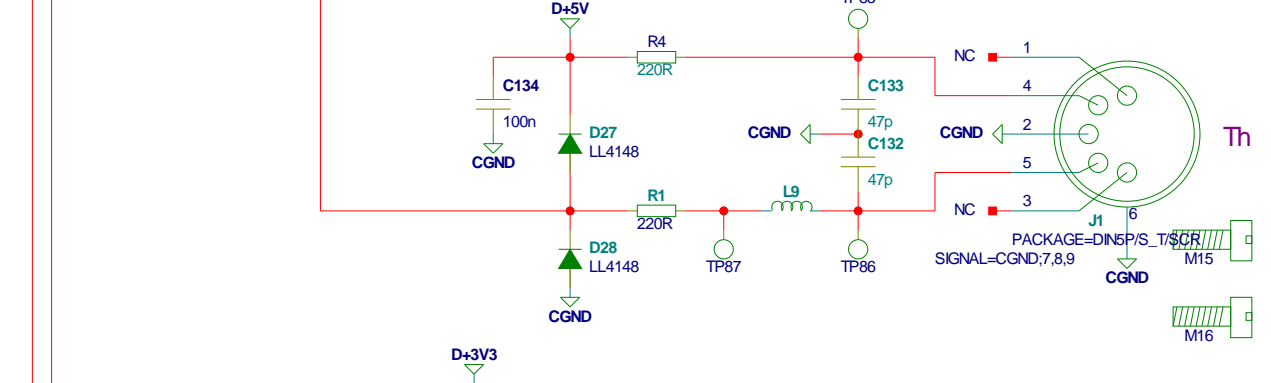
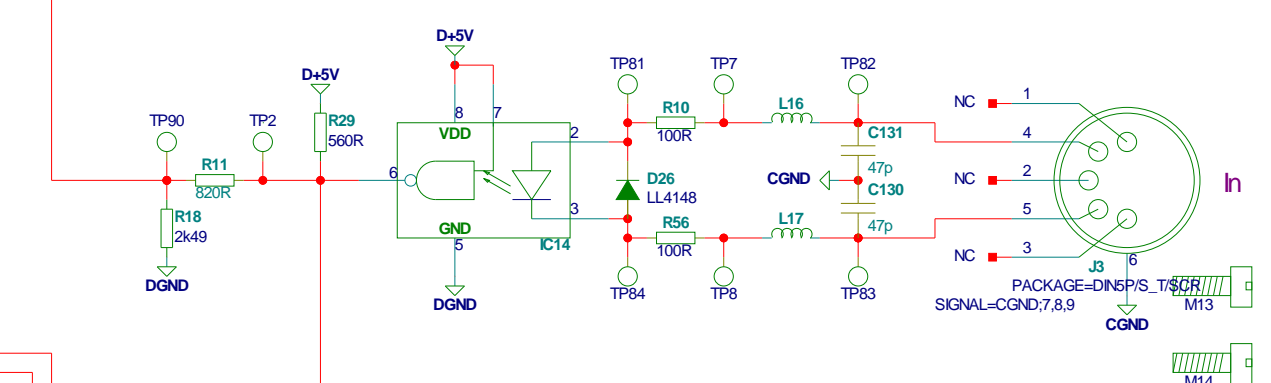
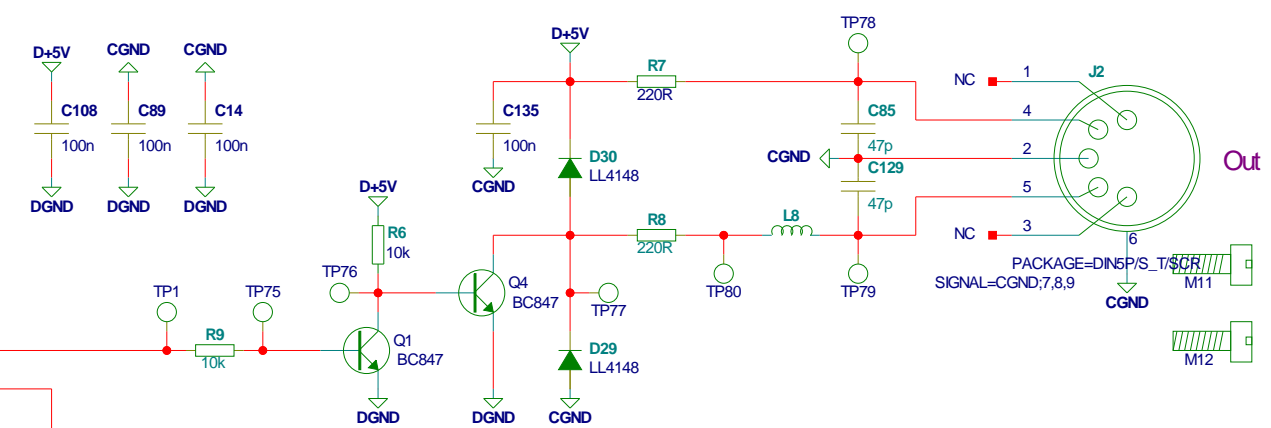
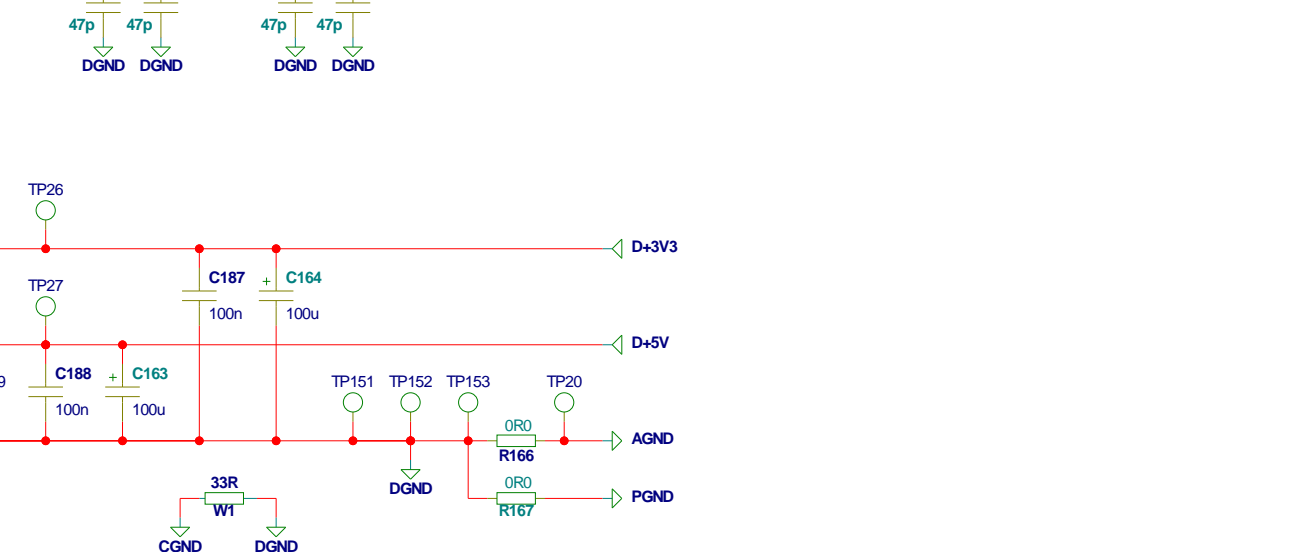
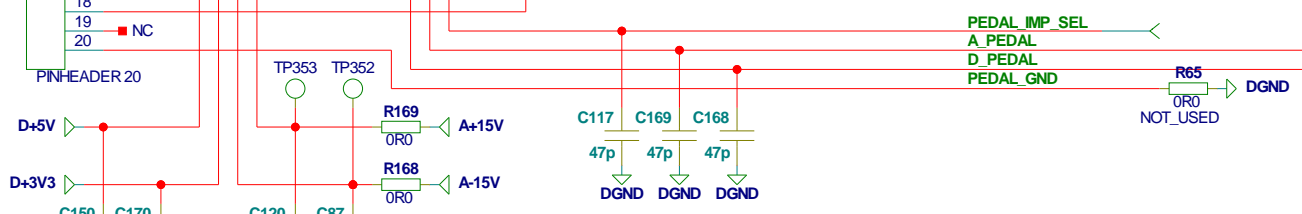
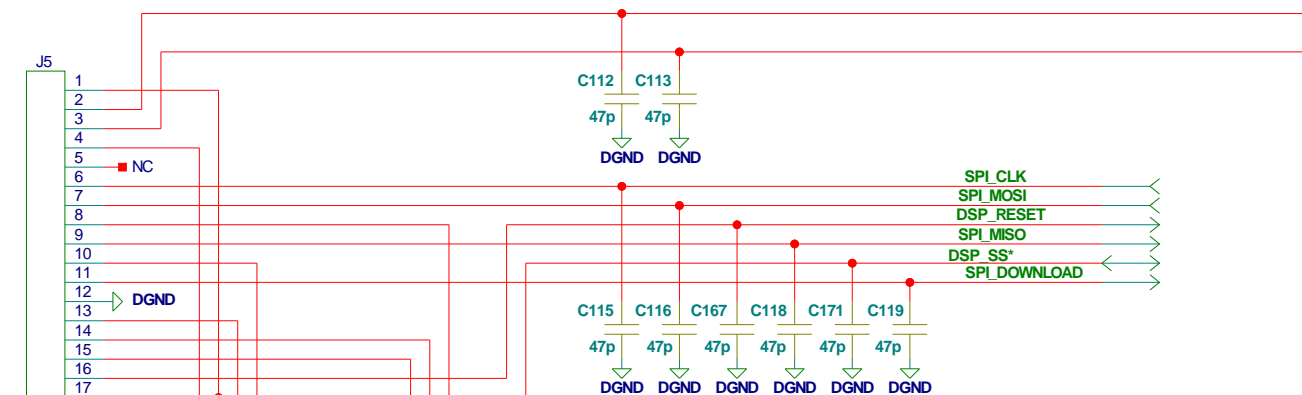
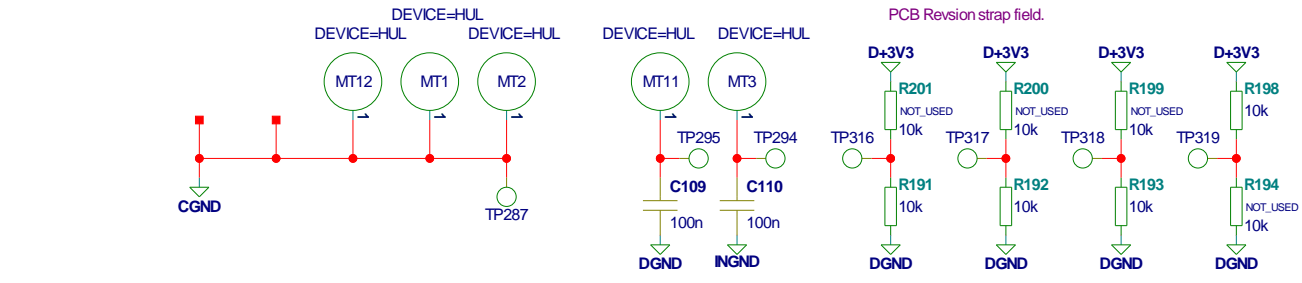
Decoupling for Analog

Power for output stage amplifiers



TC Electronic A/S		Designer MAR.SAK.HJE.NIM
Title NOVA SYSTEM LIMITED	Module title MAINBOARD	Previous page XX
Number P16004	Revision ACA	Page / of 3 / 11
Date 1-23-2008_15:26	Filername ANALOG_OUT	

Front Conn.



Power Supply Connection

TC Electronic A/S		Designer	MAR.SAK.HJE.NIM
Title	NOVA SYSTEM LIMITED	Module title	MAINBOARD
Number	P16004	Revision	ACA
Date	1-23-2008_15:27	Filename	INTERFACE
		Previous page	XX
		Page / of	8 / 11