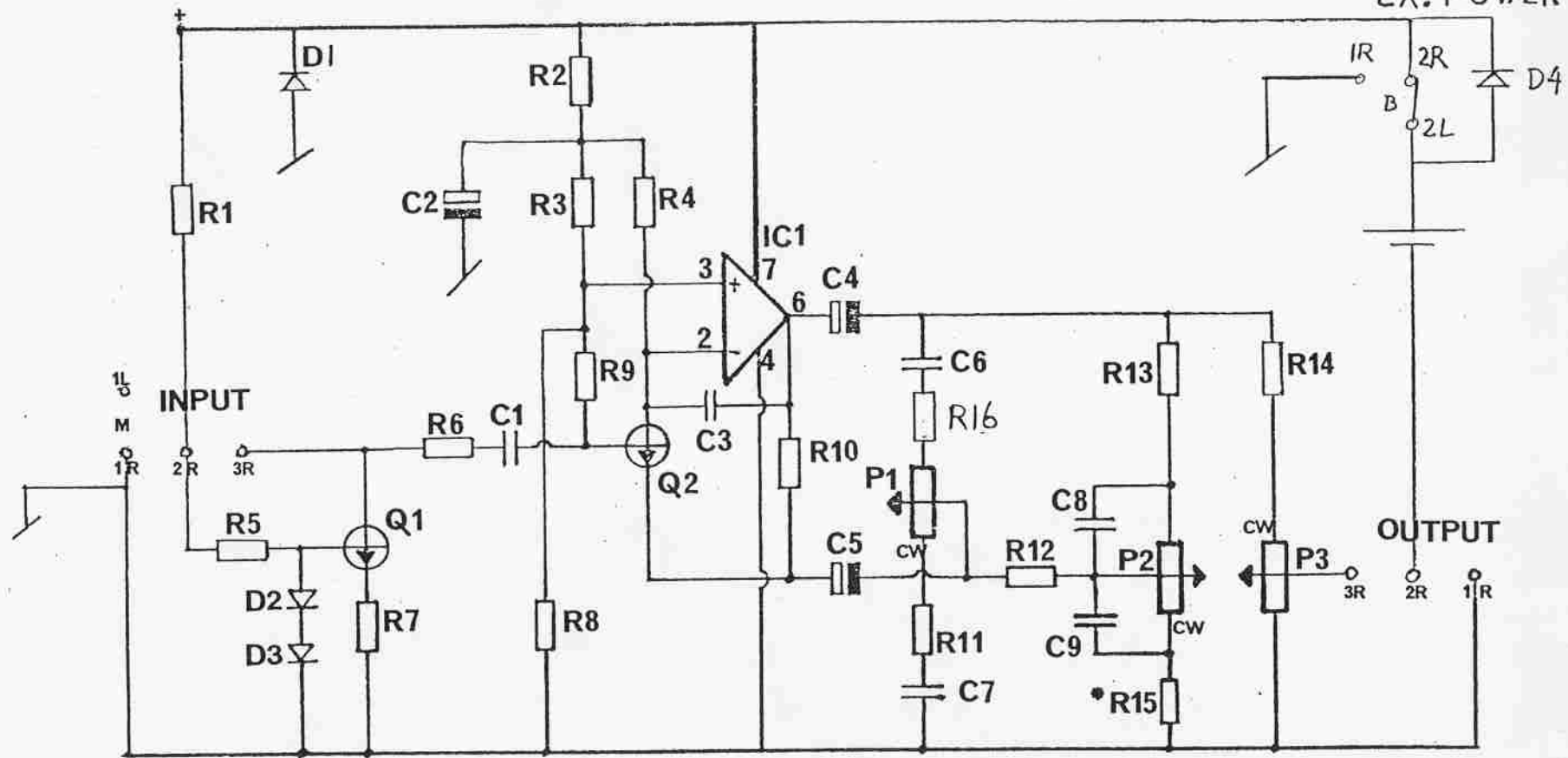


PRE 5 & 6

EX. POWER



OUTPUT

PRE 5 & 6

05  
06

870816  
870702  
K B

SCALE  
MAT.  
PART OF  
Doc. TC PRE version 5-6

Doc. TC PRE version 5-6

1101-5  
t.c. electronic

Delbove | 2, DK-8210 Aarhus V, Phone +45 6244288, Tlx. Folex 16600 DK sll, Telex Aarhus

### RESISTORS

R 1 100 KOhm  
R 2 10 KOhm  
R 3 100 KOhm  
R 4 100 KOhm  
R 5 1 MOhm  
R 6 4,7 KOhm  
R 7 22 KOhm  
R 8 820 KOhm  
R 9 6,8 MOhm  
R10 220 KOhm  
\* R11 220 Ohm ( 470 Ohm )  
\* R12 3,9 KOhm ( 8,2 KOhm )  
\* R13 2,2 KOhm ( 4,7 KOhm )  
R14 220 Ohm  
R15 0 Ohm  
R16 2,2 KOhm

### CAPACITORS

C 1 47 nF poly.  
C 2 4,7 uF 35V ellyt  
C 3 100 pF plaq.  
C 4 4,7 uF 35V ellyt  
C 5 1 uF 35V ellyt  
\* C 6 10 nF 20% poly. ( 4,7 nF 20% poly.)  
\* C 7 100 nF 20% poly. ( 47 nF 20% poly.)  
\* C 8 47 nF 20% poly. ( 22 nF 20% poly.)  
\* C 9 470 nF 20% ellyt ( 220 nF 20% poly.)

### POTENTIOMETERS

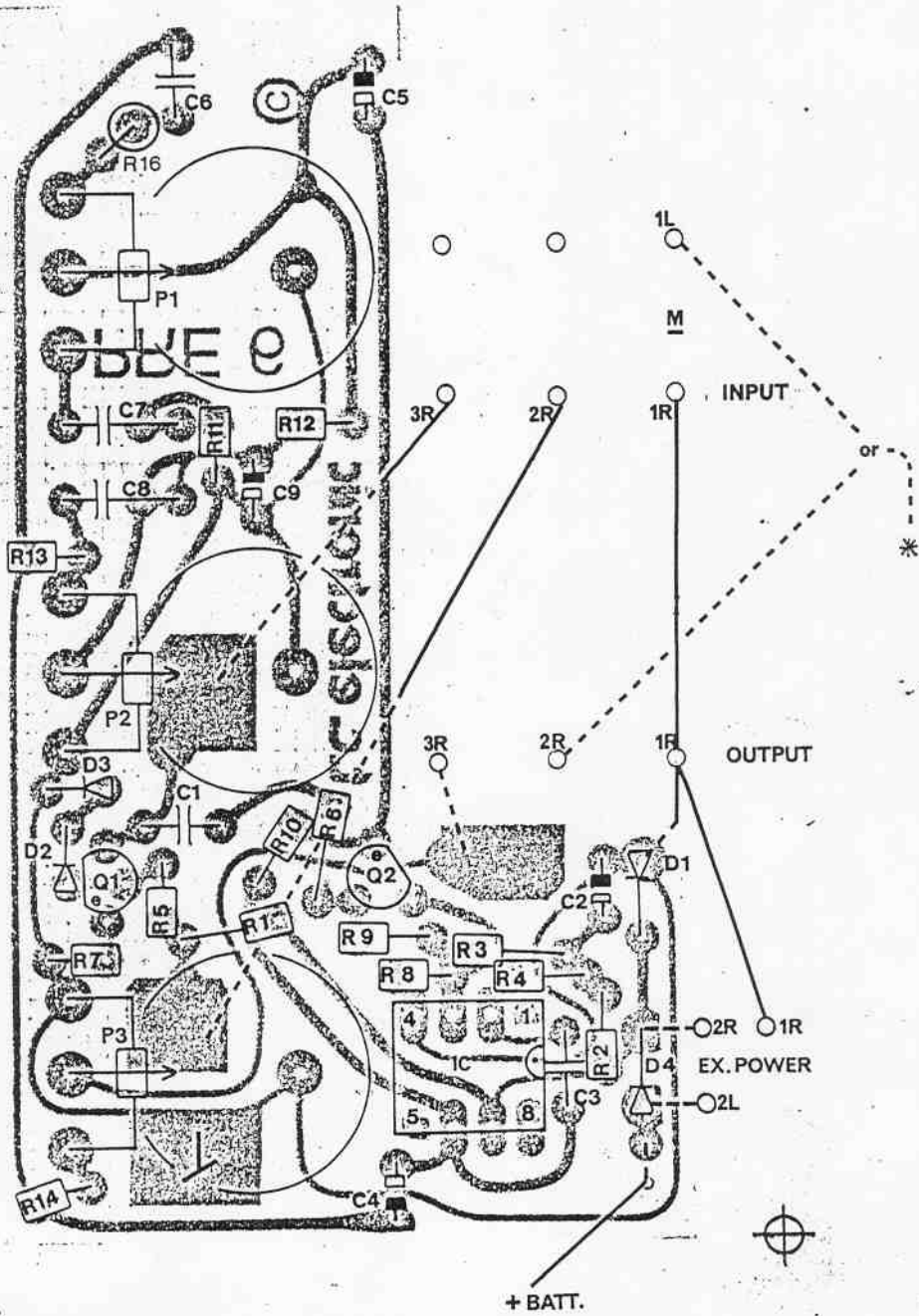
\* P 1 22 KOhm Neglog ( 47 KOhm Neglog )  
\* P 2 22 KOhm Neglog ( 47 KOhm Neglog )  
P 3 4,7 KOhm Log

Components marked w.\* are different in versions  
w. 47 KOhm Neglog potentiometers for P 1 and P 2.  
Values shown in parantheses

### SEMICONDUCTORS

D 1 1N 4001  
D 2 1N 4148  
D 3 1N 4148  
D 4 1N 4148  
  
Q 1 BC 548 B  
Q 2 BC 413 C / BC 550 C  
  
IC 1 LM 741 A

DATE	DRG.	APP.	TITLE	DRG. NO.
			PARTS LIST TO INT. PREAMPLIFIER	1101-5/6
			SCALE	MAT.
			PART OF	doc. PRE version 05-06
				OF DENMARK <b>t.c. electronic</b>



\* FROM BATTERY TO INPUT JACK 1L OR OUTPUT JACK 2R,  
(DEPENDENT ON INPUT JACK USED, 1L IF MAKE PRESENT).

DATE 810818	ORG. - JF -	APP. 05	TITLE PARTS LAYOUT TC PREAMP	DRG. NO. 1101-7
840227	BRH	06	SCALE	MAT.
871112	JF	07	PART OF doc. TC PRE version 07	OF DENMARK <b>t.c. electronic</b>