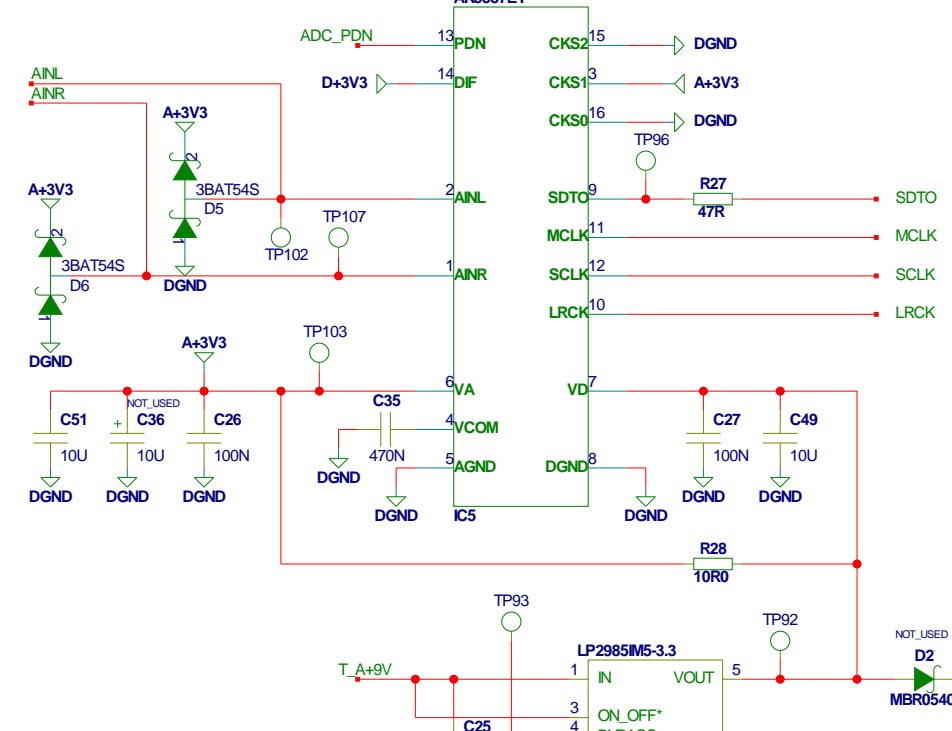
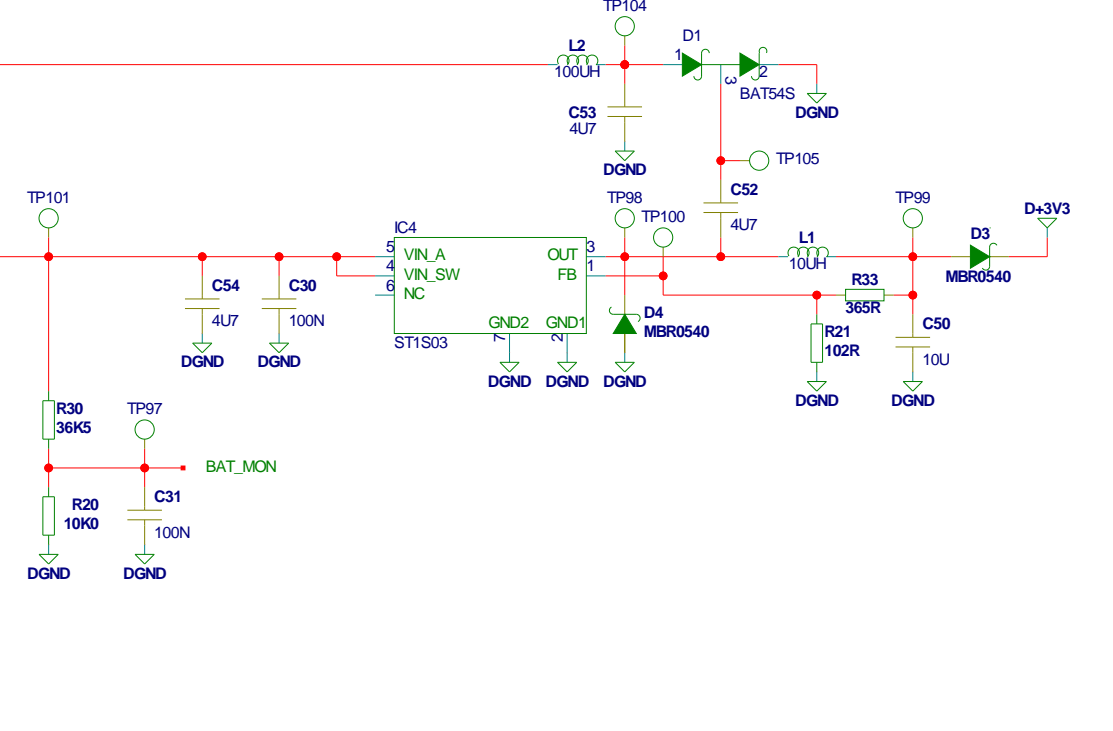
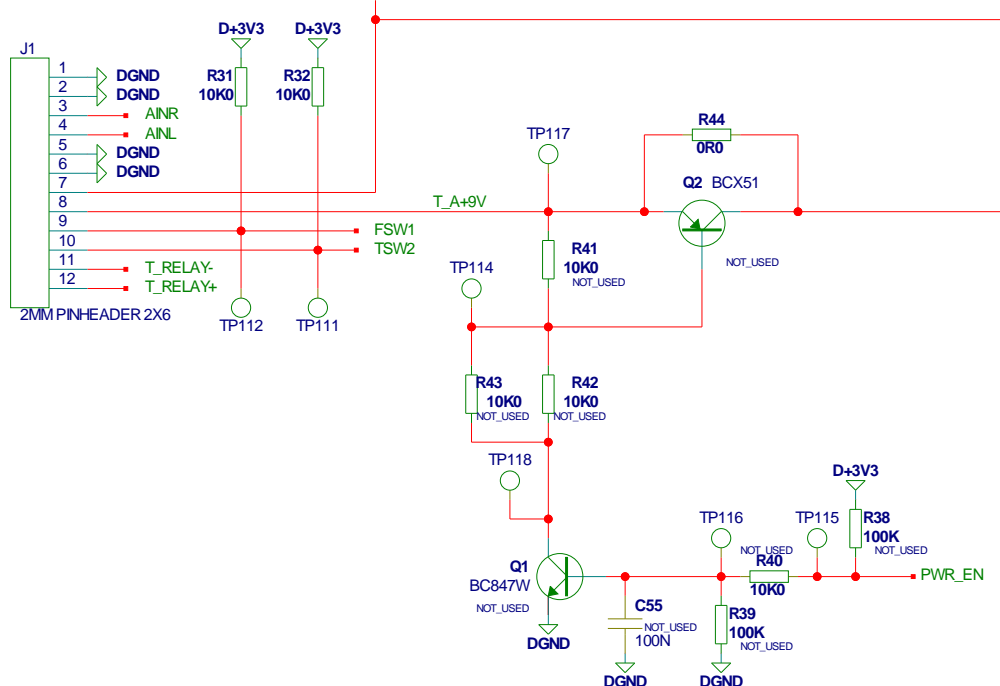


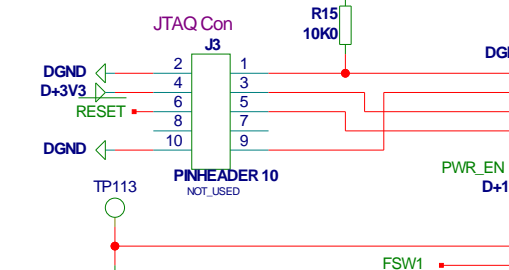
M1  
P22581-B

TC Electronic A/S		Designer
BIGFOOT UI		HJE/PRO
OVERVIEW		Previous page
Number	Revision	XX
P22581	BAB	
Date	Filename	Page / of
8-29-2011_9:19	P22581-B	1 / 3

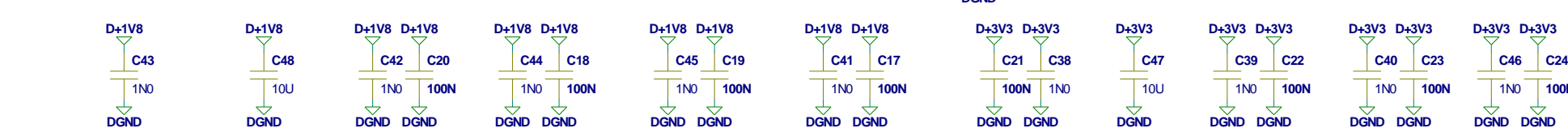
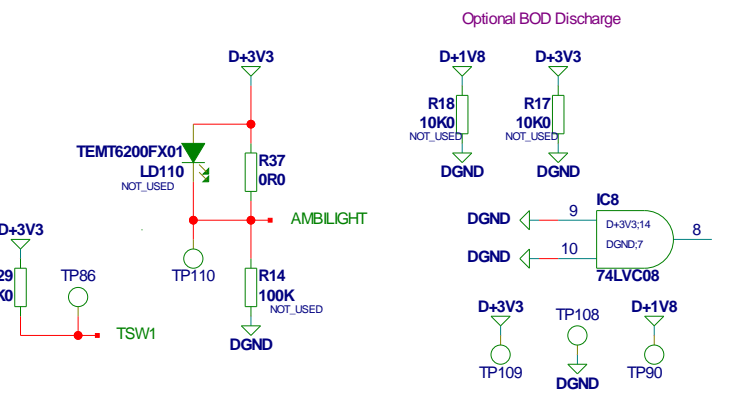
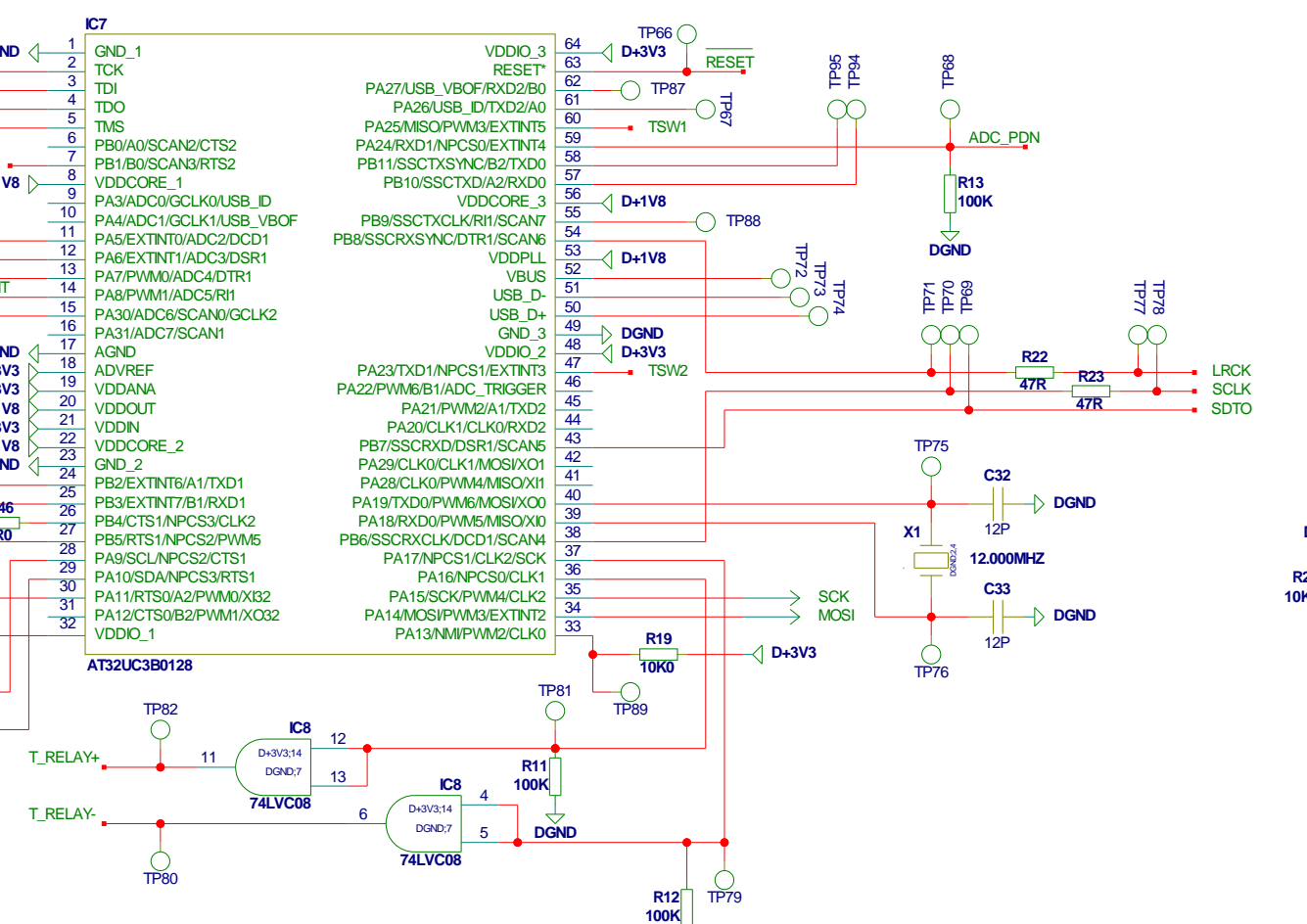
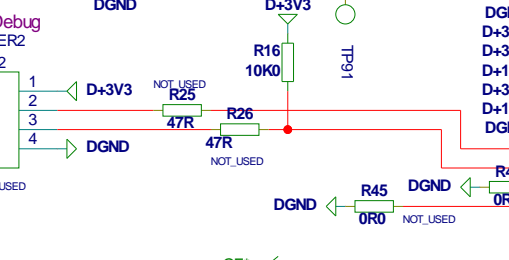
CON on Rear side



JTAG on edge

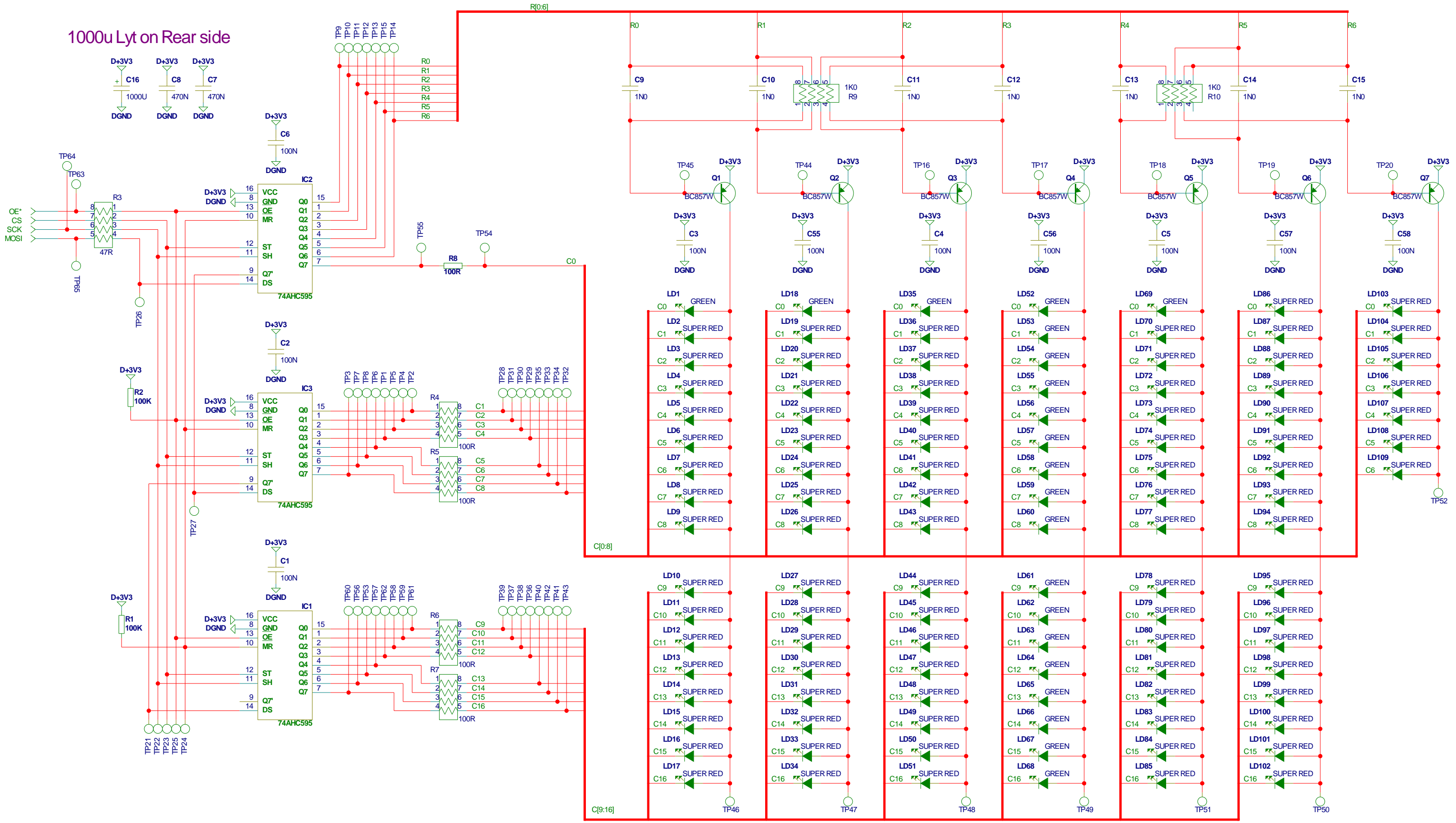


RS232 on edge



<b>TC Electronic A/S</b>		Designer	HJE/PRO
Title	BIGFOOT UI	Module title	MODULE TITLE
Number	P22581	Revision	BAB
Date	8-29-2011_9:18	Filename	UC_AND_CONNECTS
		Previous page	1
		Page / of	2 / 3

1000u Lyt on Rear side



<b>TC Electronic A/S</b>		Designer	HJE/PRO
Title		Module title	
BIGFOOT UI		DISPLAY	
Number	Revision	Previous page	
P22581	BAB	2	
Date	Filename	Page / of	
8-24-2011_15:08	LEDS_CONTROL	3 / 3	