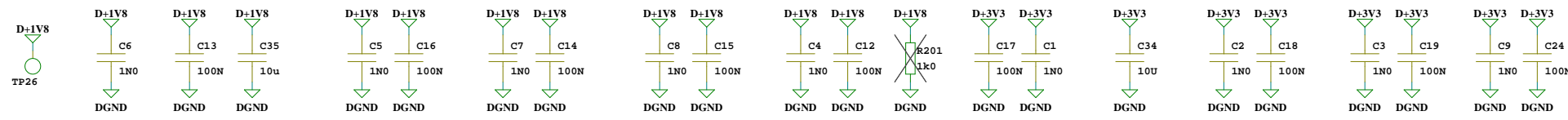
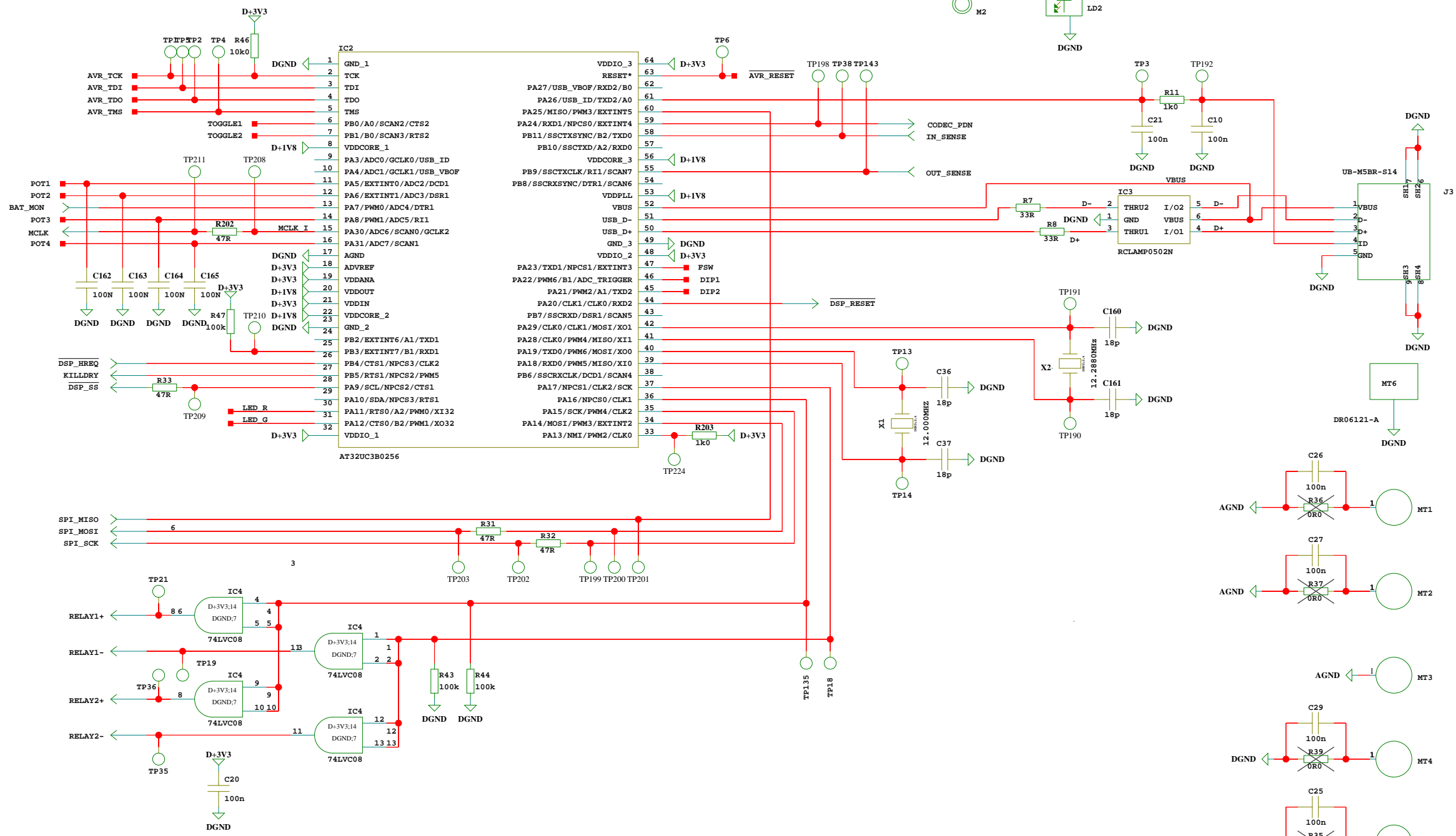
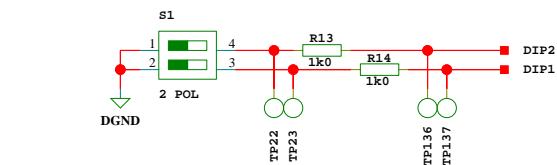
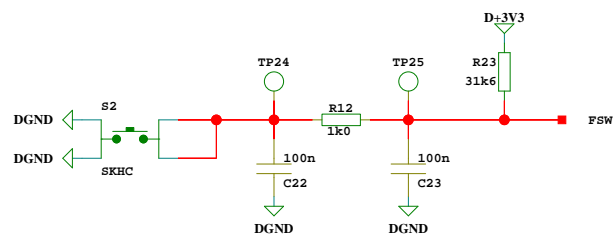
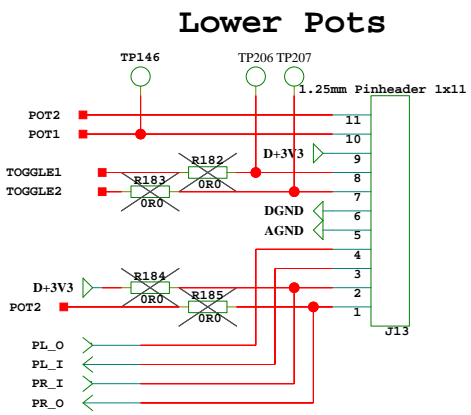
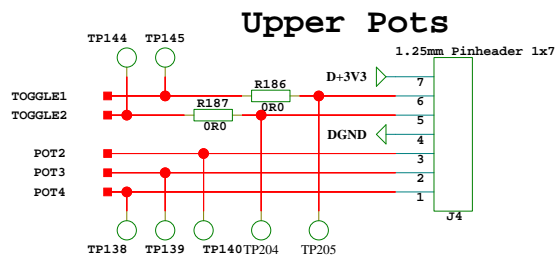
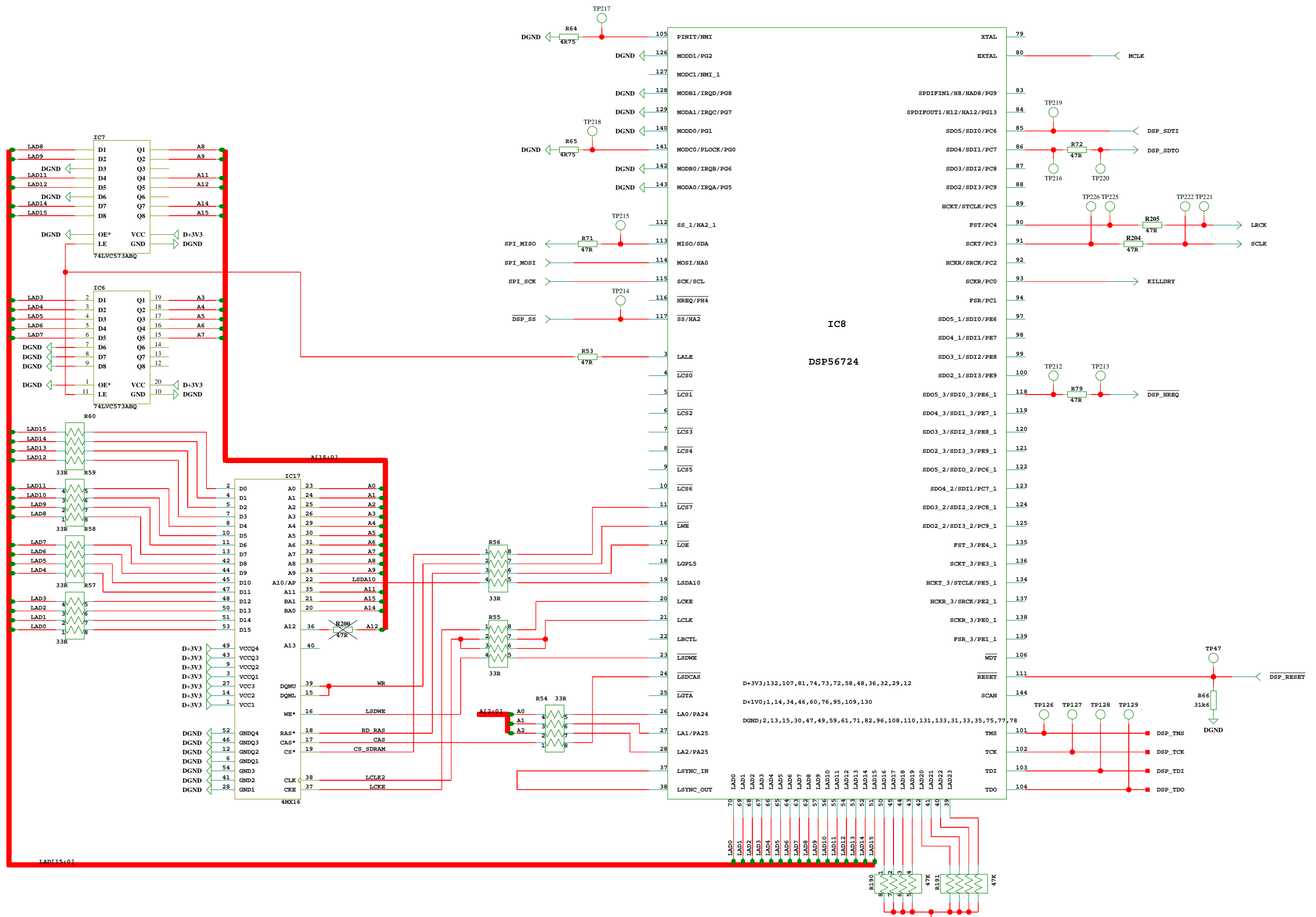


M1  
 P22381-D  
 PCB

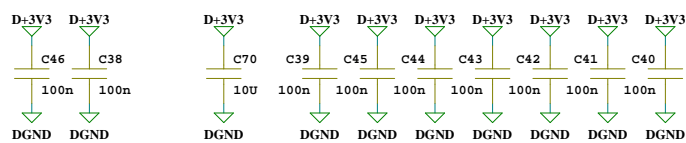
		Designer(s) HJE/PRO		
Title TRINITYII (1283-SUSIETWO)		Module title MODULE TITLE		
Number P22381	Revision D	Variant G	Version A	Board type MAINBOARD
Date 13/09/2013:16:11	Filename P22381-D	Page / of 1 / 5		



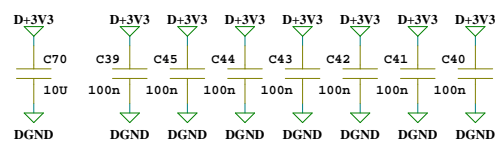
<b>tc electronic</b>		Designer(s)	
Title		HJE/PRO	
TRINITYII (1283-SUSIETWO)		Module title	
Number		MODULE TITLE	
F22381		Board type	
Date		MAINBOARD	
13/09/2013:16:11		Page / of	
Filename		2 / 5	
uc_and_connects			



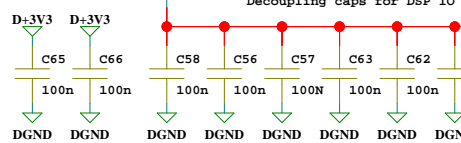
Decoupling caps for Latch



Decoupling caps for SDRAM



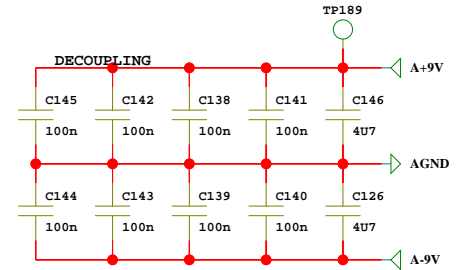
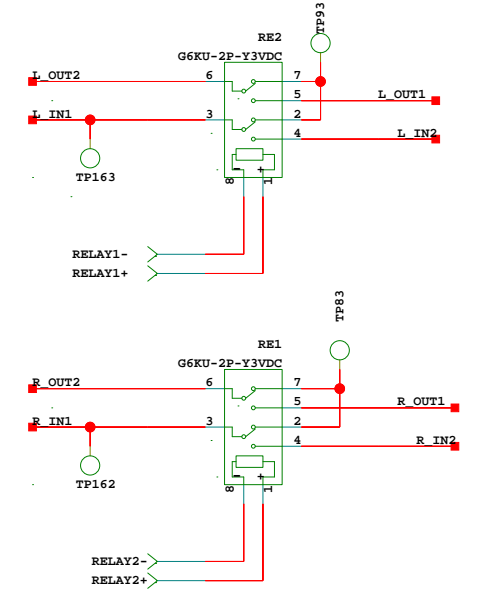
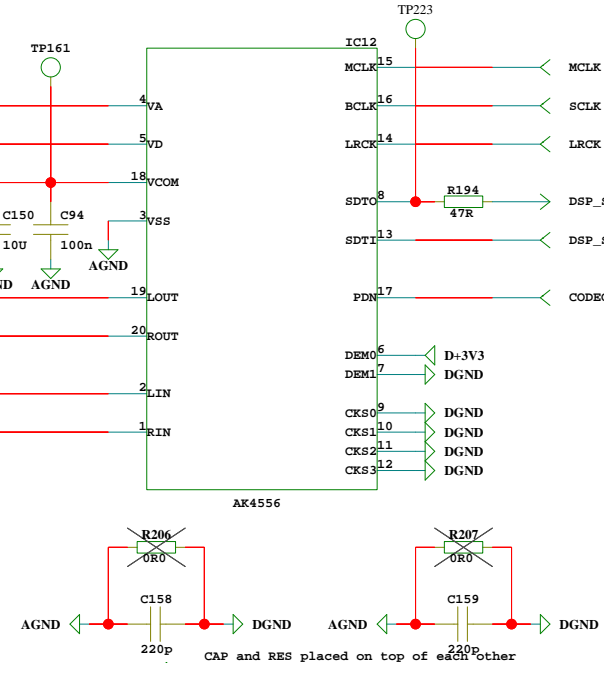
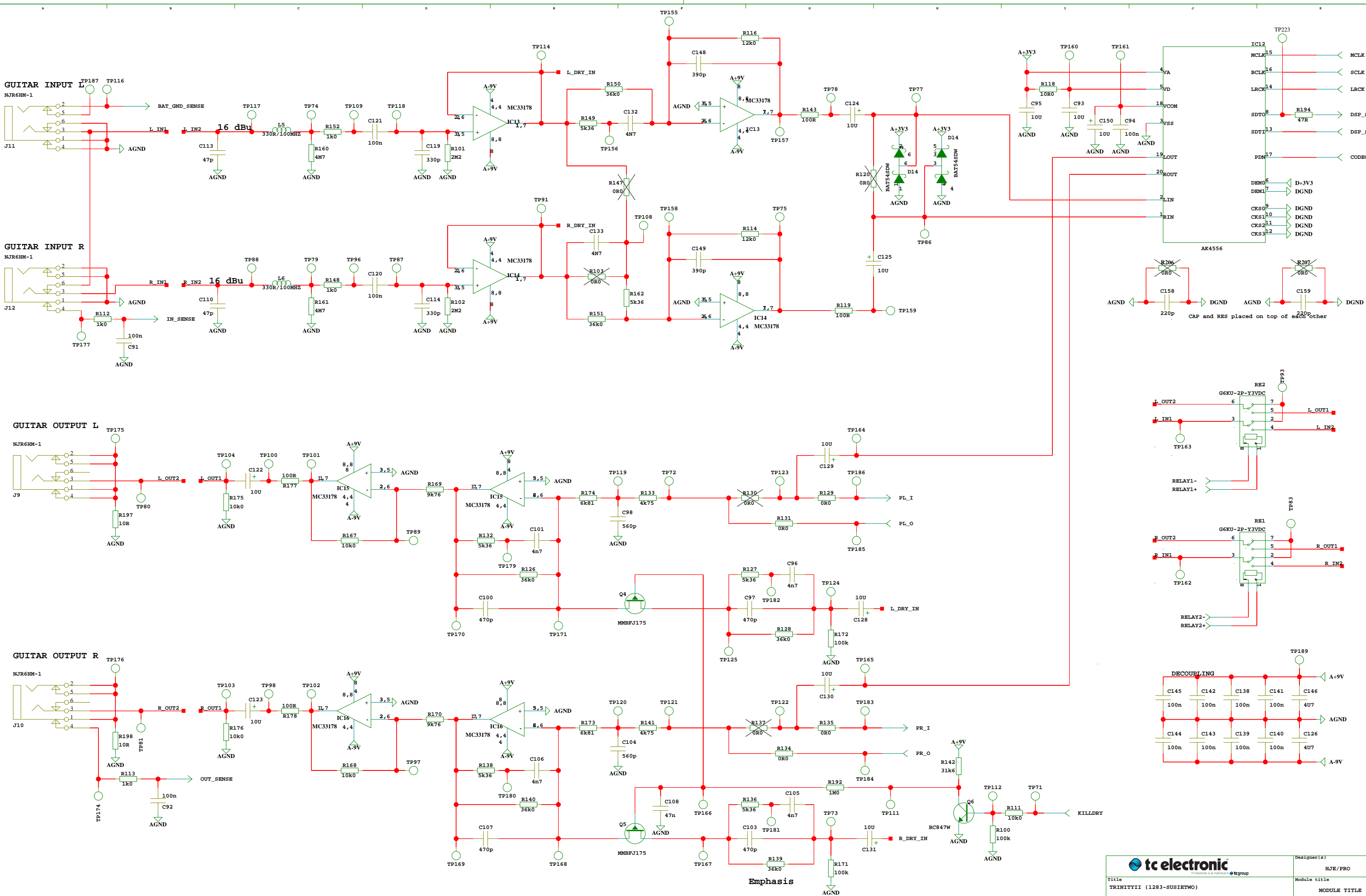
Decoupling caps for DSP IO



Decoupling caps for DSP Core



<b>tc electronic</b>				Designer(s)	HJE/PRO
Title TRINITYII (1283-SUSIETWO)				Module title MODULE TITLE	
Number P22381	Revision D	Variant G	Version A	Board type MAINBOARD	
Date 13/09/2013:16:11	Filename dsp724			Page / of 3 / 5	



Emphasis

				Designer(s)	HJE/PRO
Title				Module title	
TRINITYIII (1283-SUSIETWO)				MODULE TITLE	
Number	Revision	Variant	Version	Board type	
F22381	D	G	A	MAINBOARD	
Date	Filename	Page / of			
13/09/2013:16:11	analog	4 / 5			

