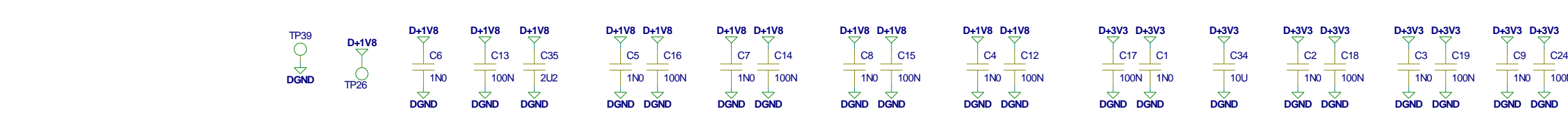
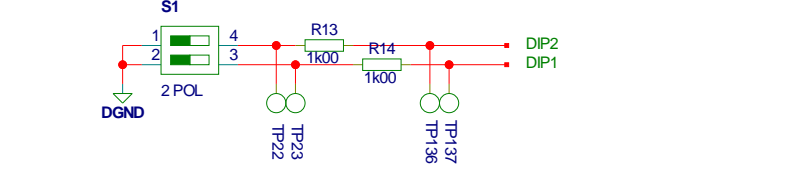
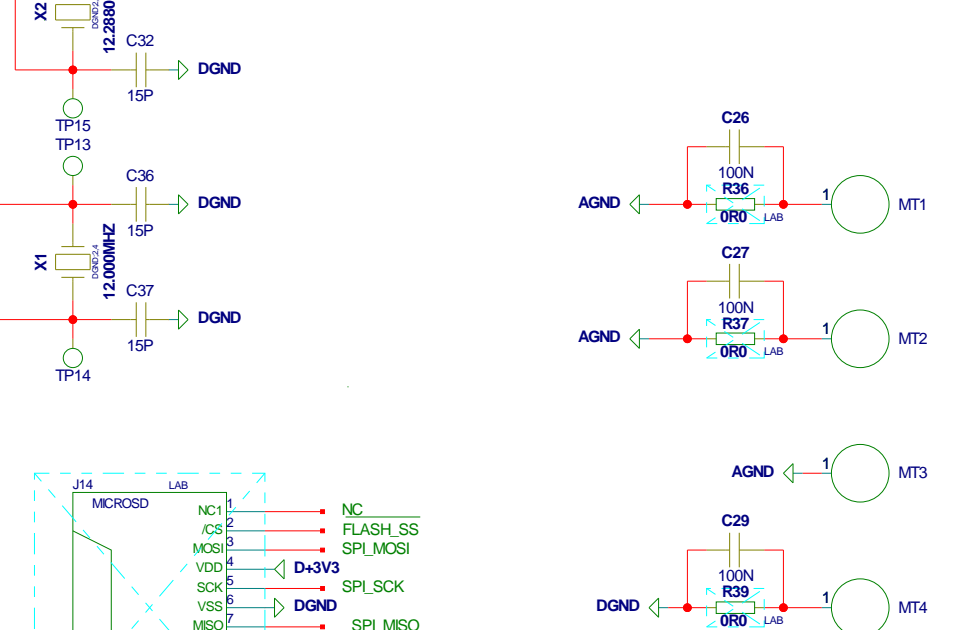
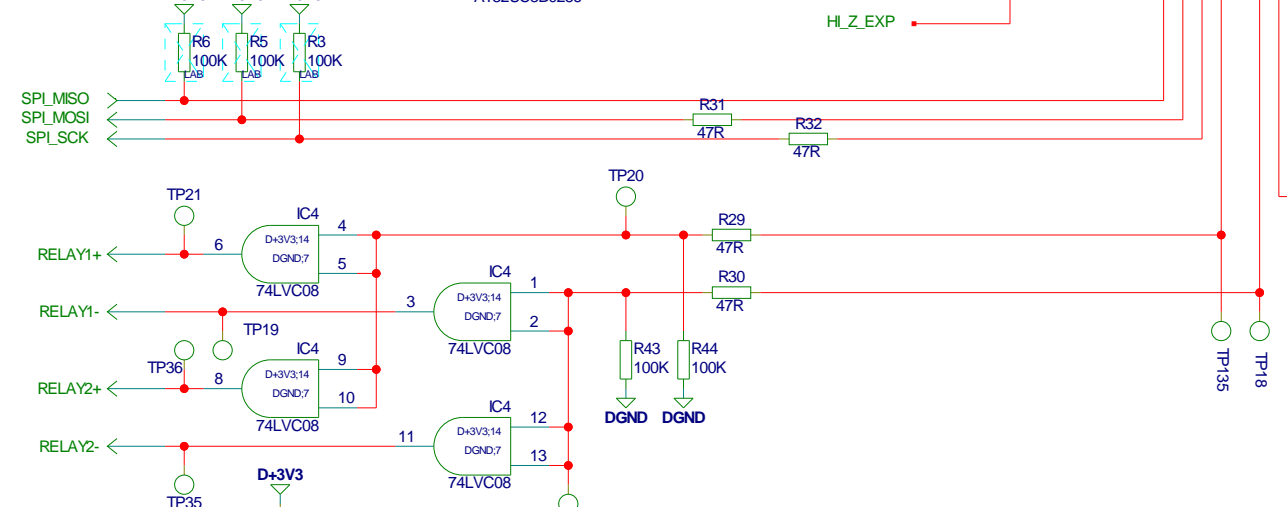
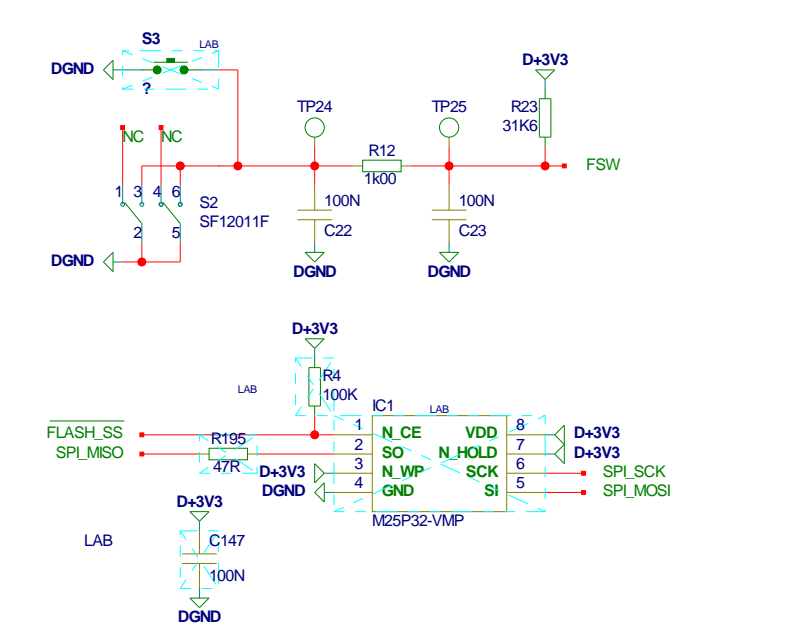
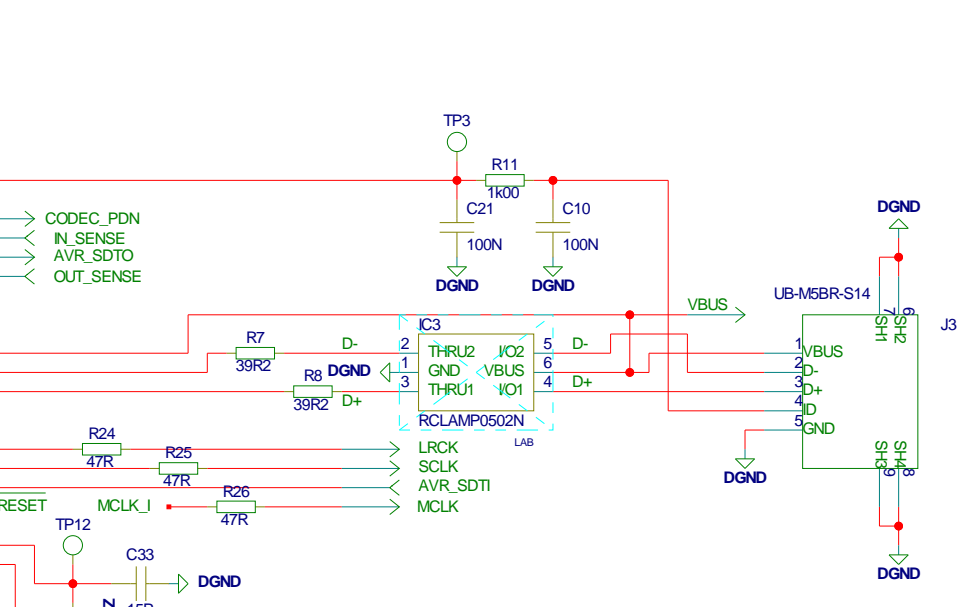
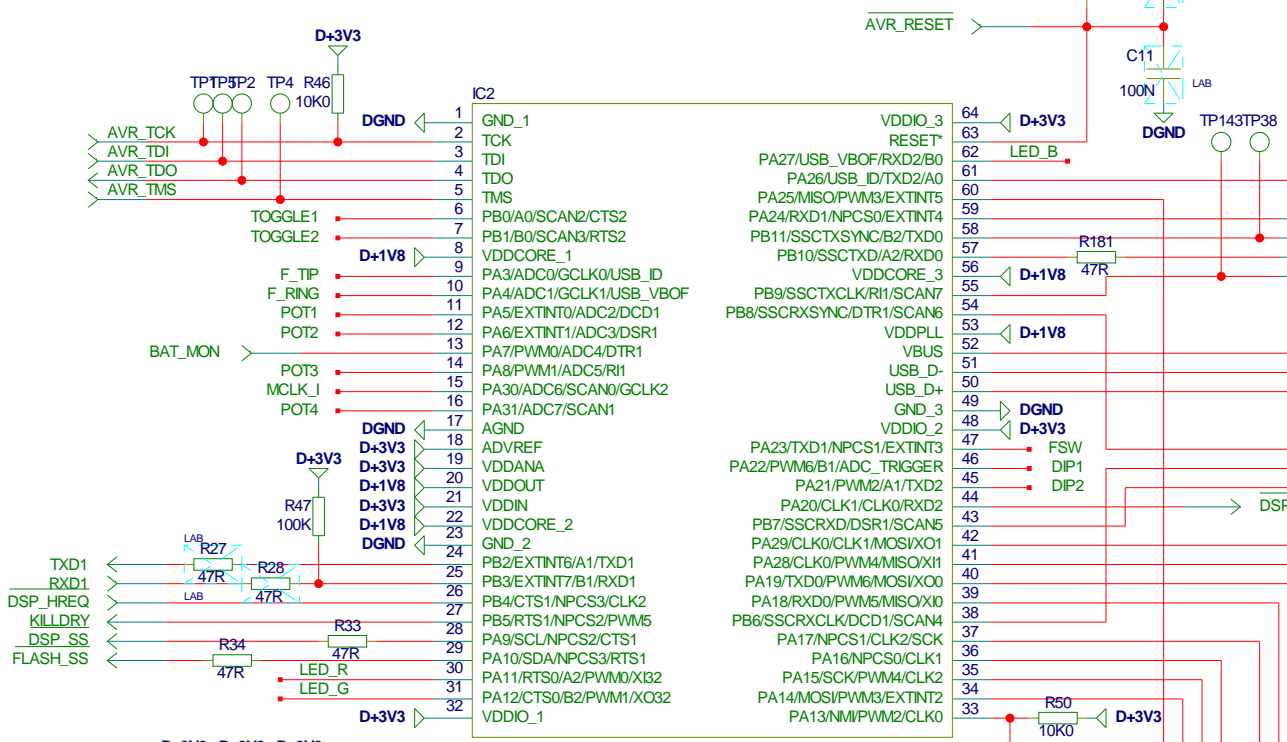
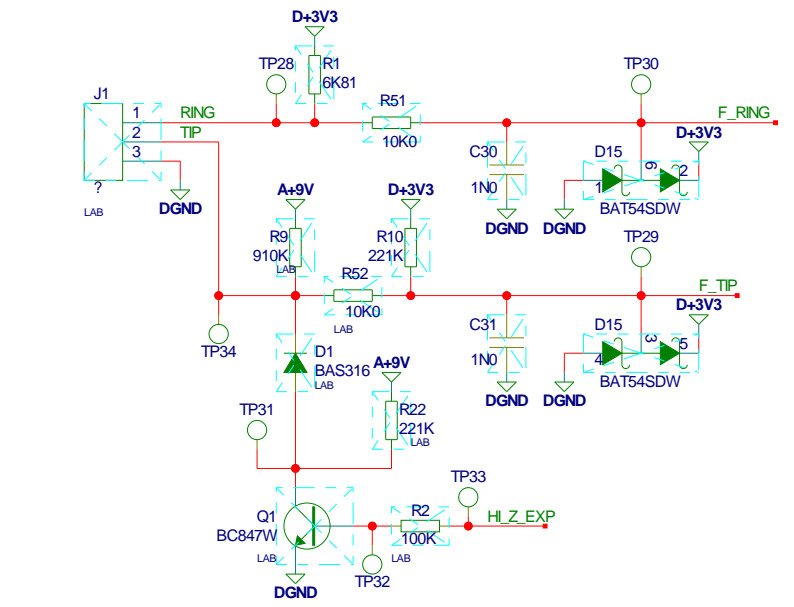
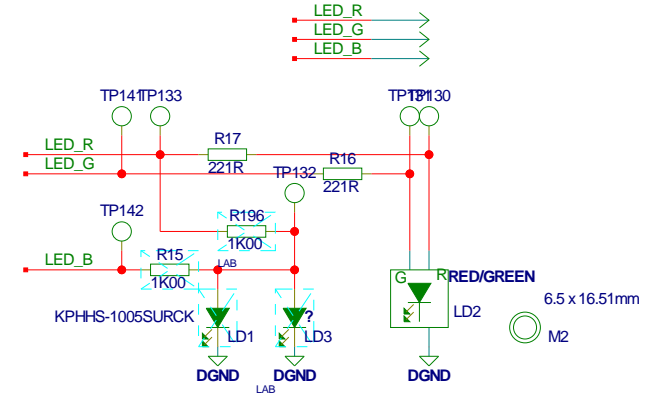
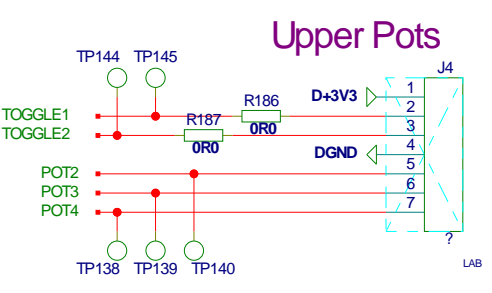
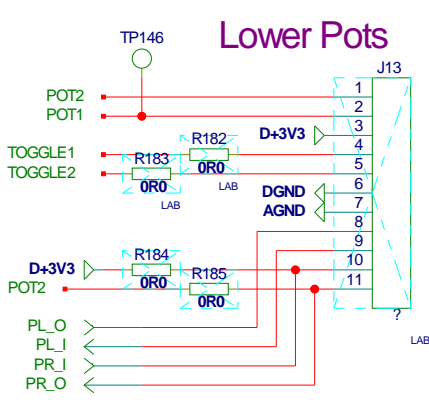


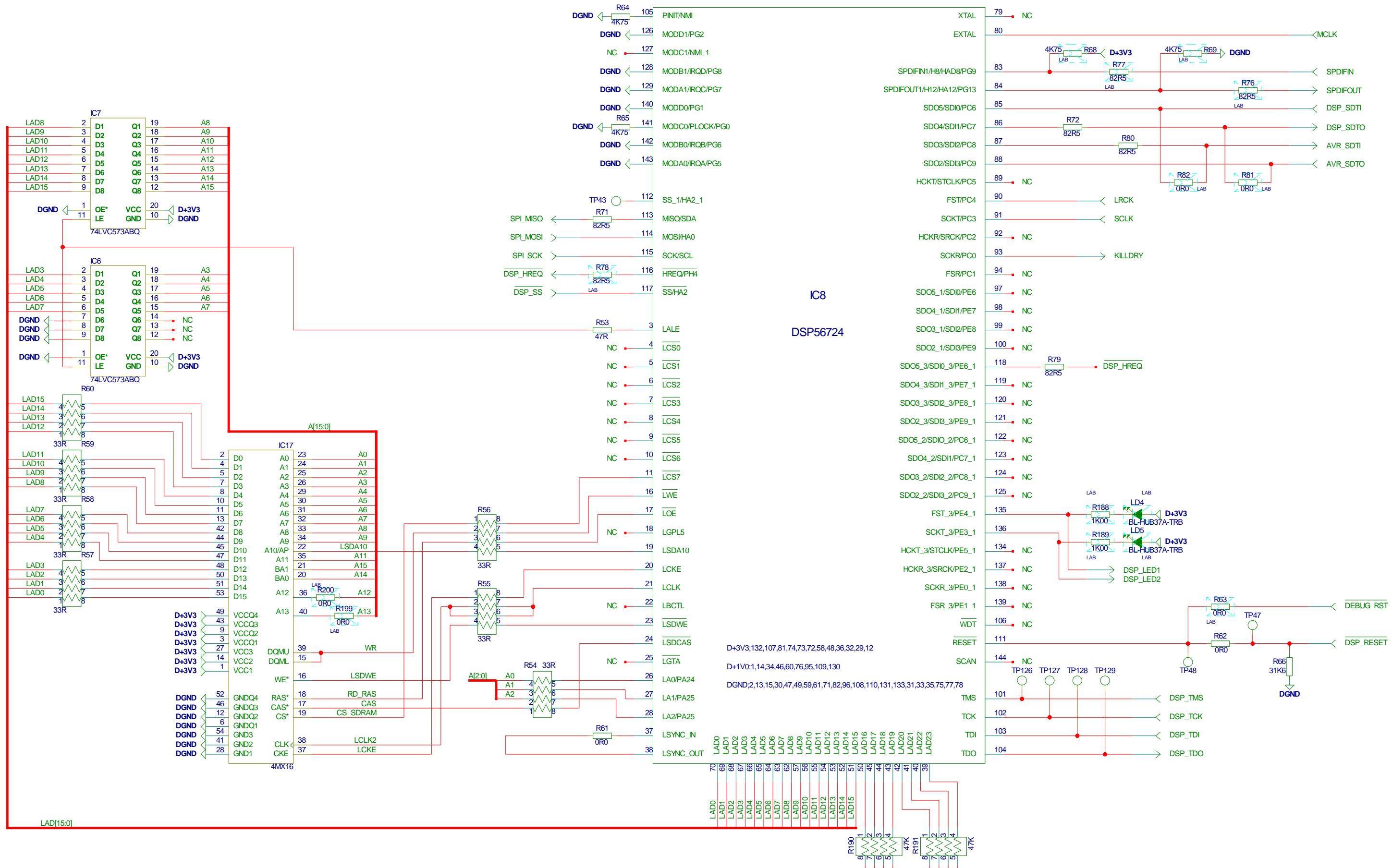
M1
P22381-B

1200-Lars Delay

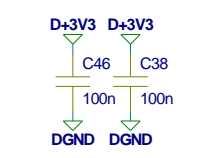
TC Electronic A/S		Designer HJE/PRO
Title ERIK MAINBOARD 724		Module title OVERVIEW
Number P22381	Revision BJA	Previous page XX
Date 9-8-2011_9:59	Filename P22381-B_J	Page / of 1 / 6



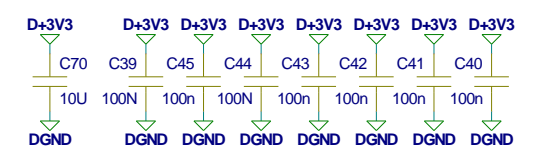
TC Electronic A/S		Designer	HJE/PRO
Title	ERIK MAINBOARD 724	Module title	UC_AND_CONNECTS
Number	P22381	Revision	BJA
Date	9-8-2011 9:59	Filename	UC_AND_CONNECTS_J_1
		Page / of	1 / 6



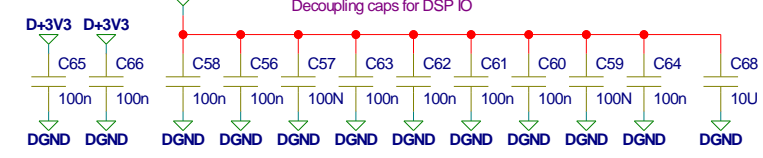
Decoupling caps for Latch



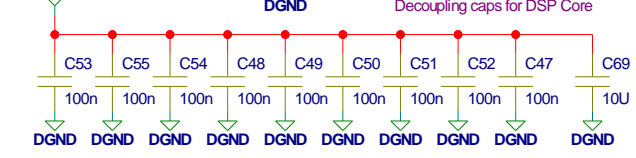
Decoupling caps for SDRAM



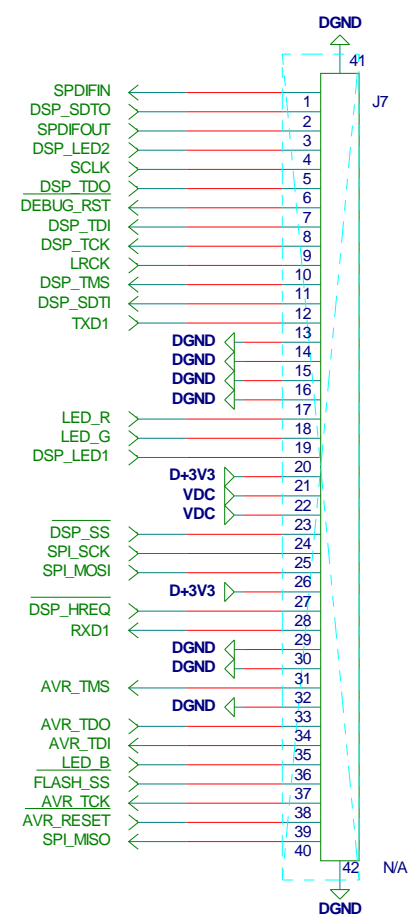
Decoupling caps for DSP IO



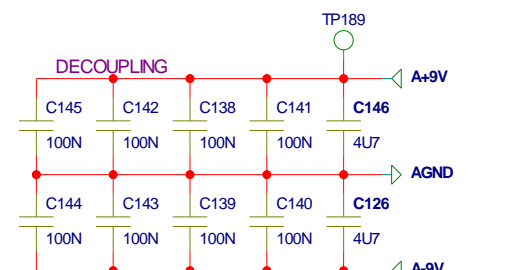
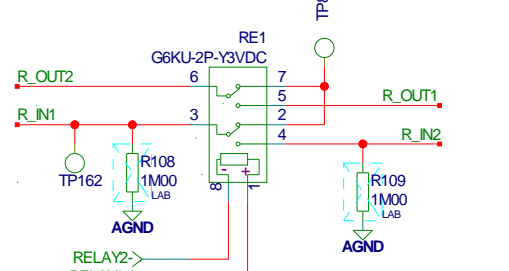
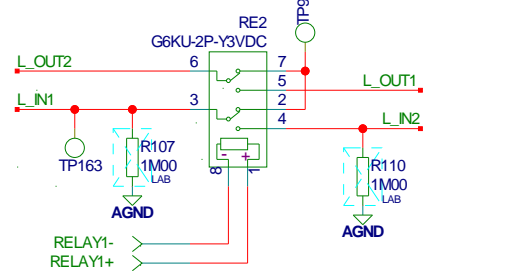
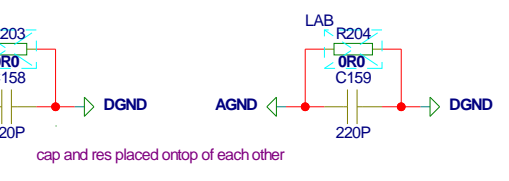
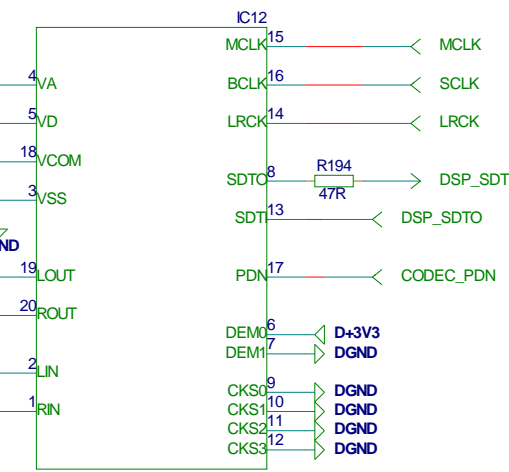
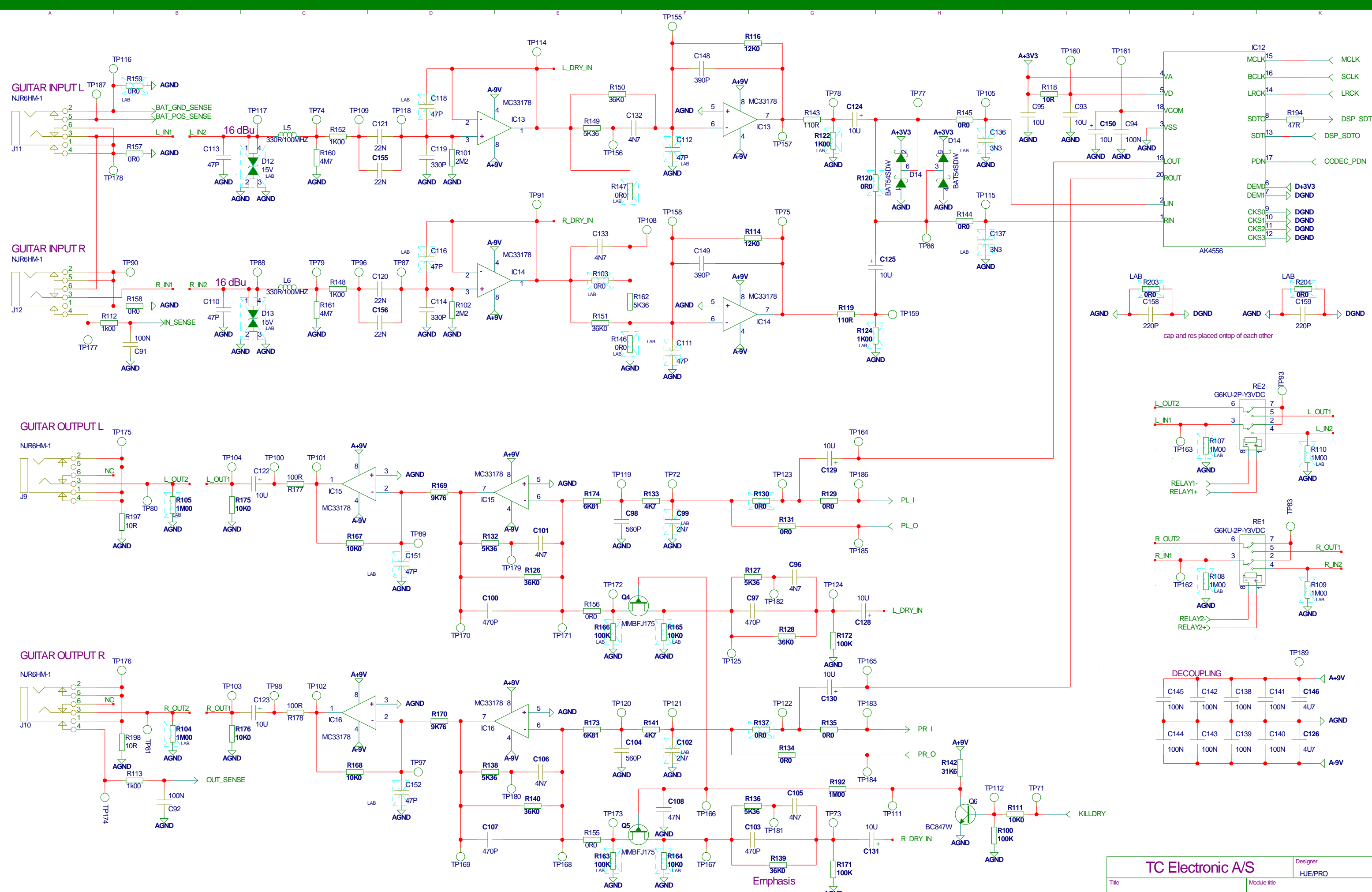
Decoupling caps for DSP Core



TC Electronic A/S		Designer HJE/PRO
Title ERIK MAINBOARD 724		Module title DSP SECTION
Number P22381	Revision BJA	Previous page 2
Date 9-8-2011 9:59	Filename DSP724_J_1	Page / of 3 / 6

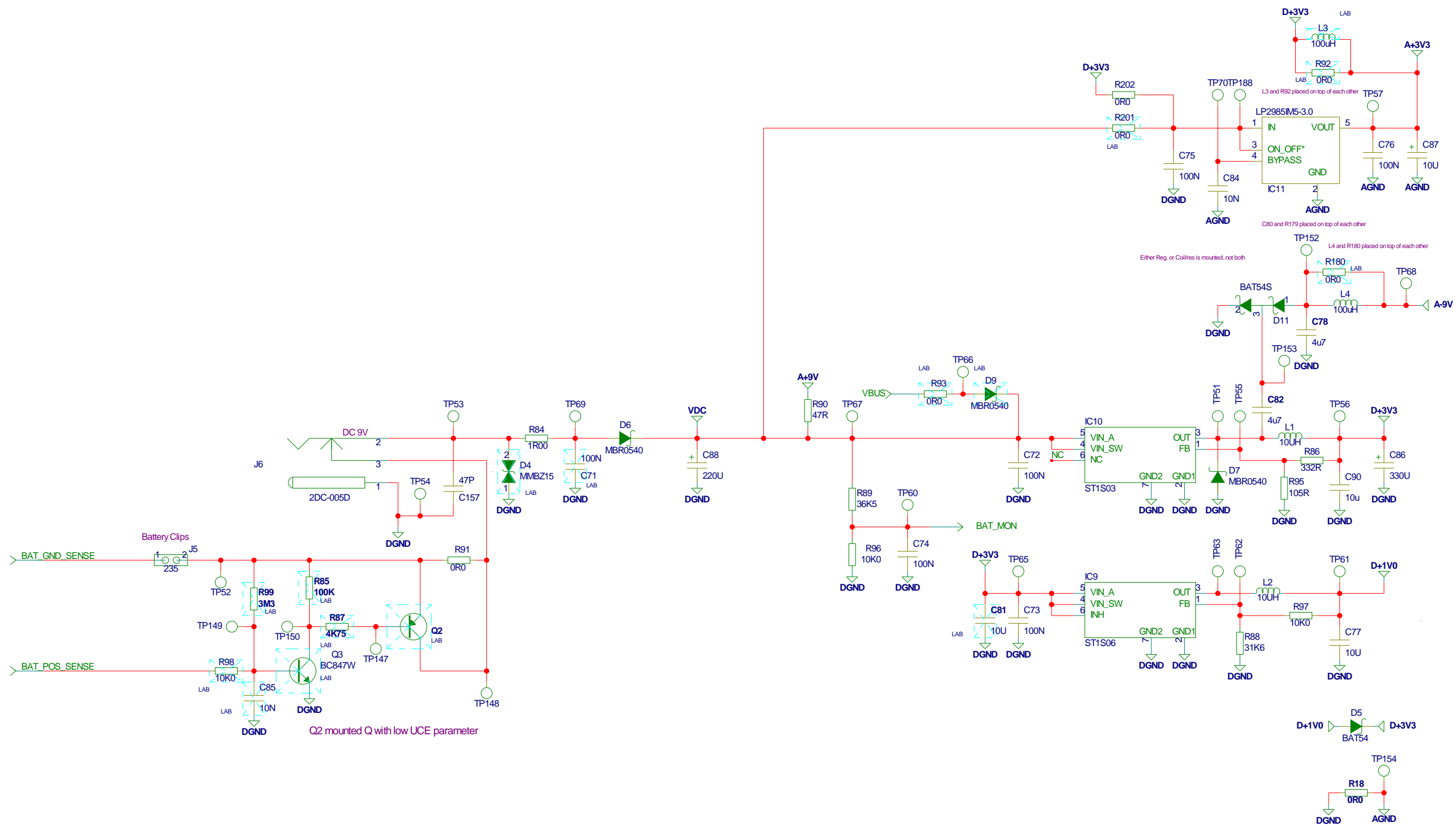


Title ERIK MAINBOARD 724		Module title DEBUG CONNECTOR	
Number P22381	Revision BJA	Previous page 3	
Date 9-8-2011_9:59	Filename DEBUGINTERFACE_J_1	Page / of 4 / 6	



Emphasis

TC Electronic A/S		Designer HJE/PRO
Title ERK MAINBOARD 724		Module title ANALOG SECTION
Number P22381	Revision BJA	Previous page 4
Date 9-8-2011 9:59	Filenam ANALOG_J_1	Page / of 5 / 6



TC Electronic A/S		Designer	HJE/PRO
Title		Module title	
ERIK MAINBOARD 724		POWER SUPPLY	
Number	Revision	Previous page	
P22381	BJA	5	
Date	Filename	Page / of	
9-8-2011_9:59	POWER_J_1	6 / 6	