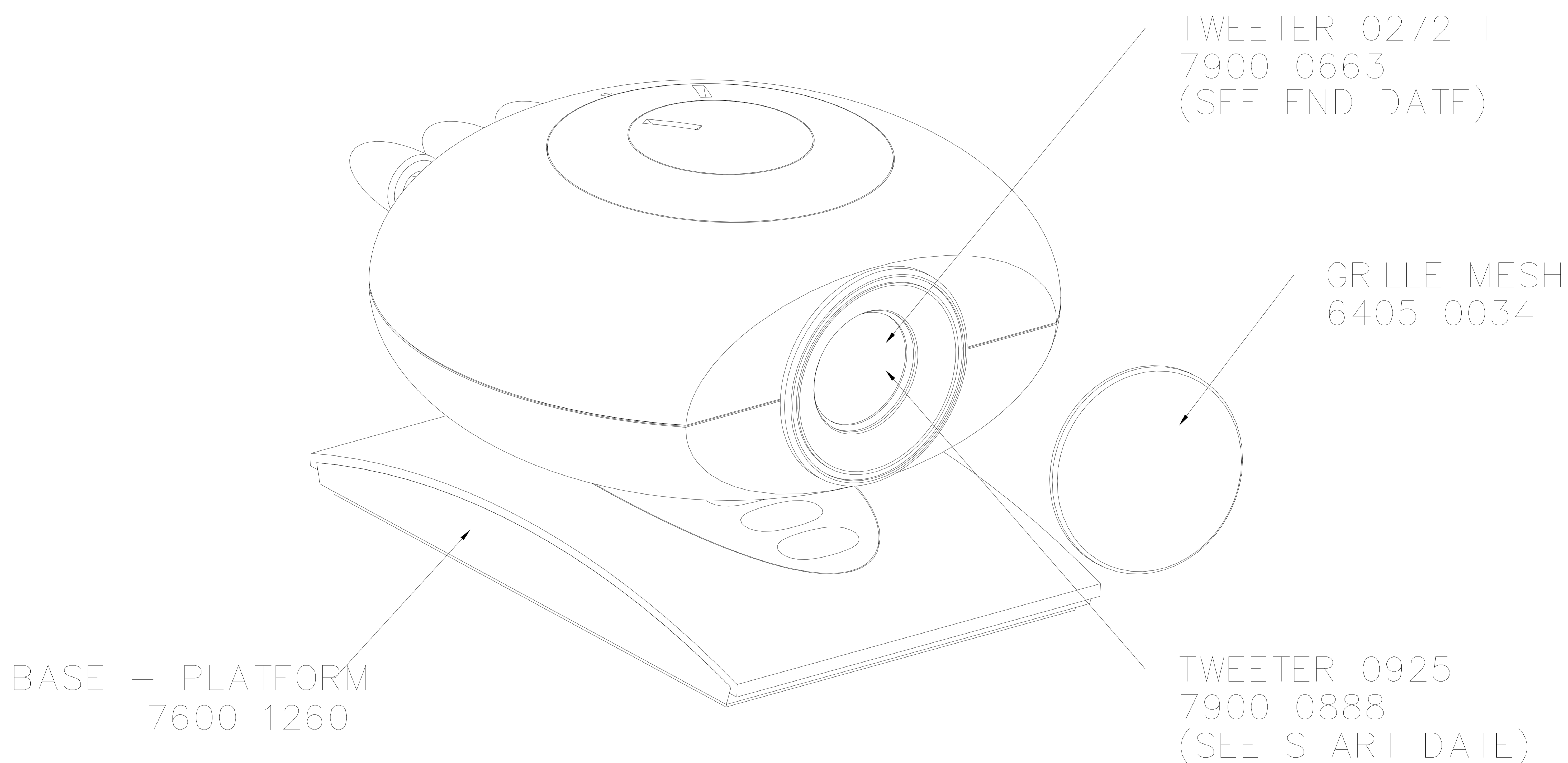


# TANNOY®

## SPARE PARTS



# ST-50 SUPERTWEETER

ALL PRODUCT MANUFACTURED BEFORE END DATE 24.02.06  
CROSSOVER — 7300 1059 (OLD). TWEETER — 7900 0663

ISSUE 2  
31.03.06

ALL PRODUCT MANUFACTURED AFTER START DATE 01.03.06  
CROSSOVER — 7300 1052. TWEETER — 7900 0888

START AND END DATES ARE FOR GUIDANCE ONLY.