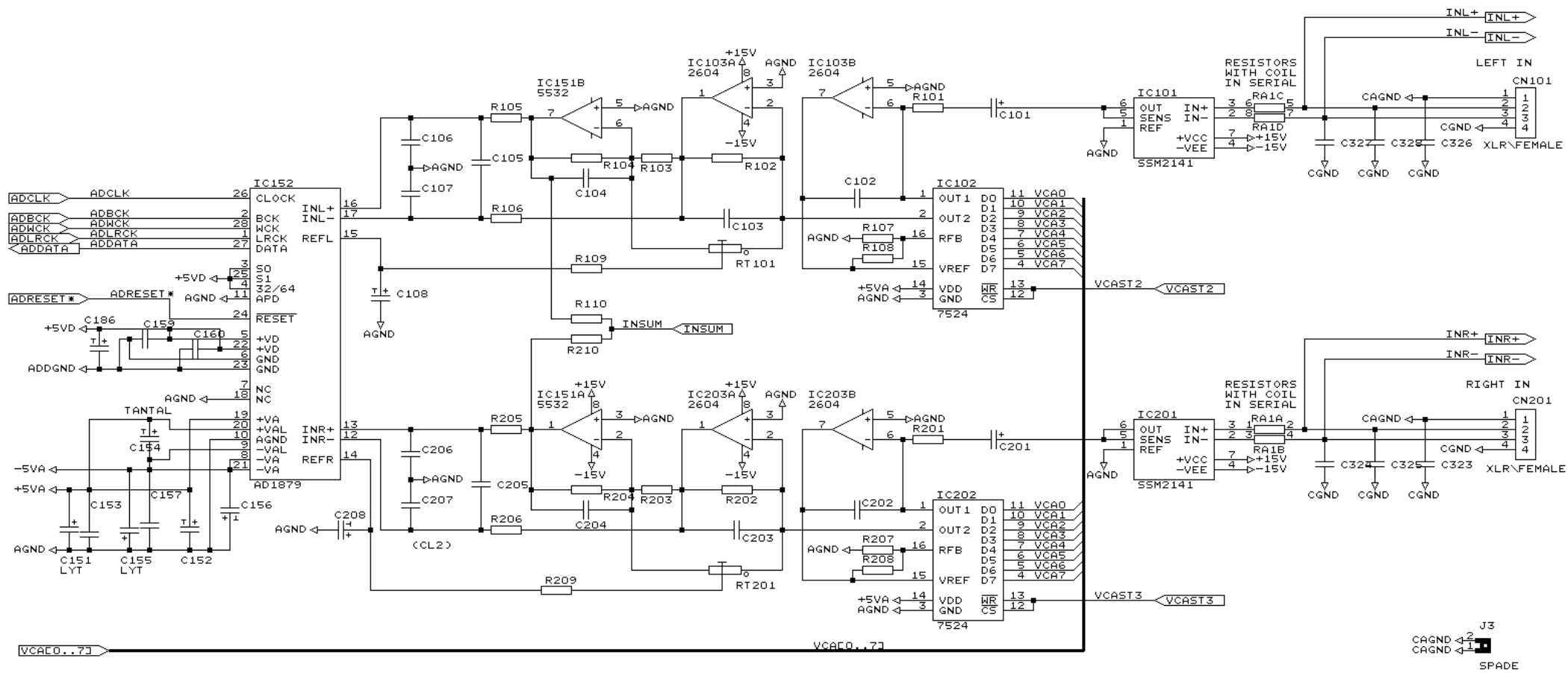
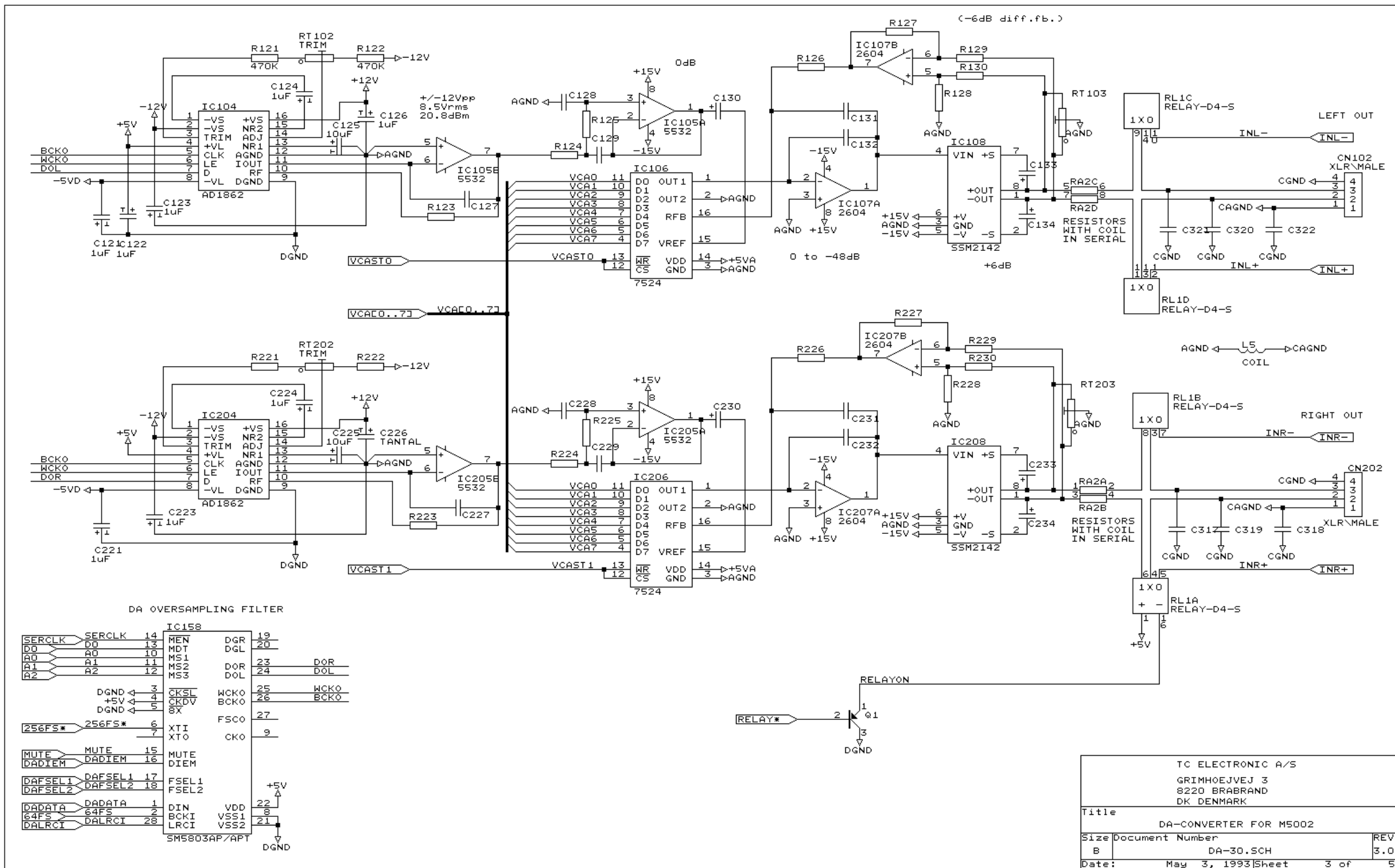


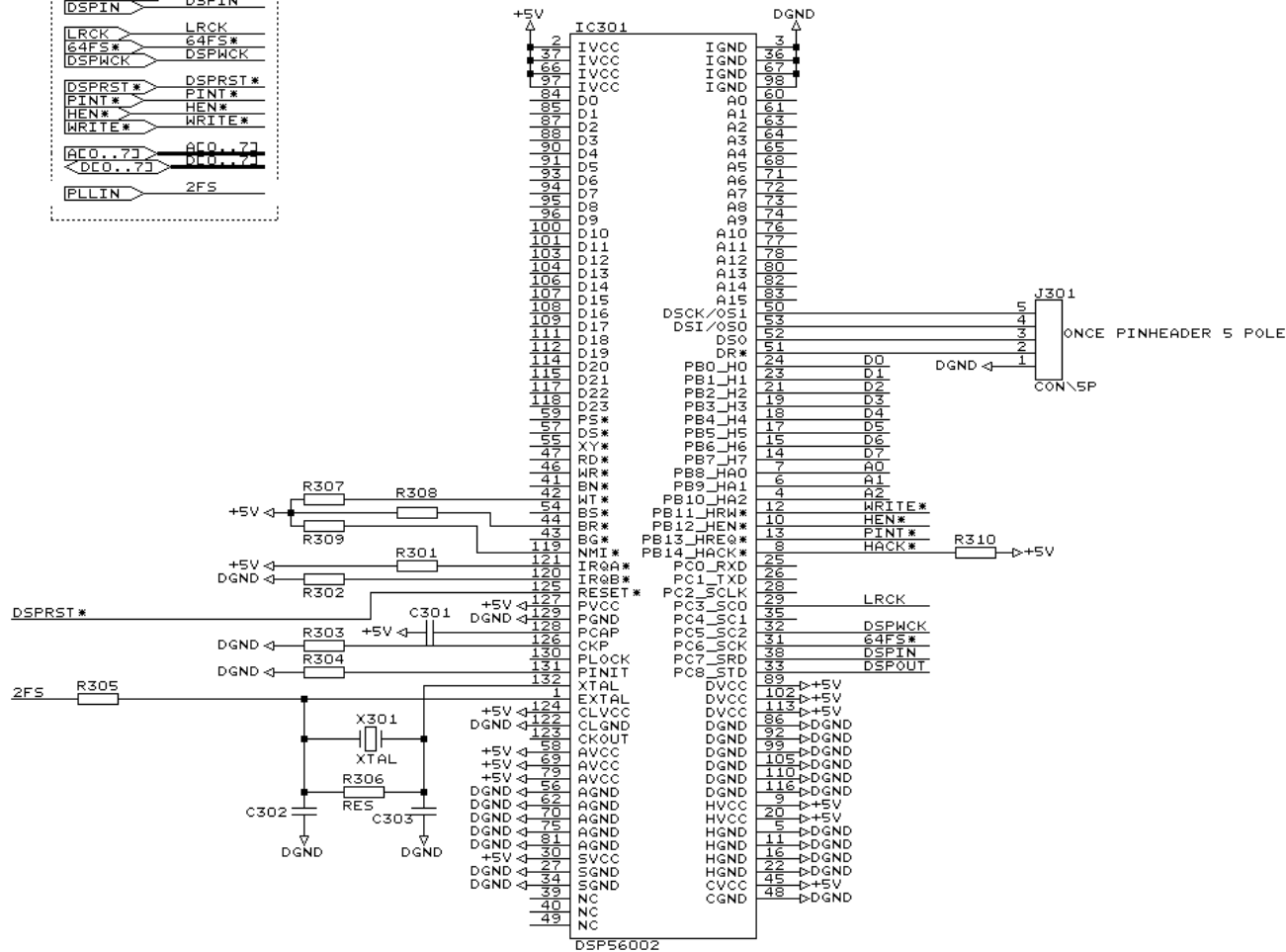
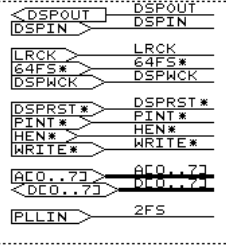
TC ELECTRONIC		
GRIMH0EJVEJ 3		
DK-8220 BRABRAND		
Title		
M5000/ADA BOARD		
Size	Document Number	REV
B	M5002-30.SCH	3.0
Date:	November 23, 1993	Sheet 1 of 5



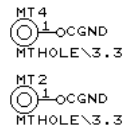
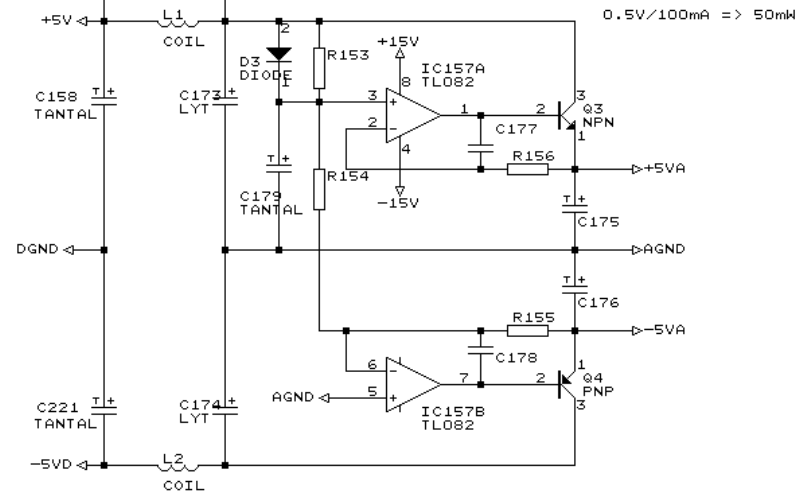
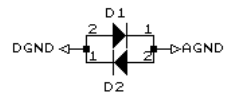
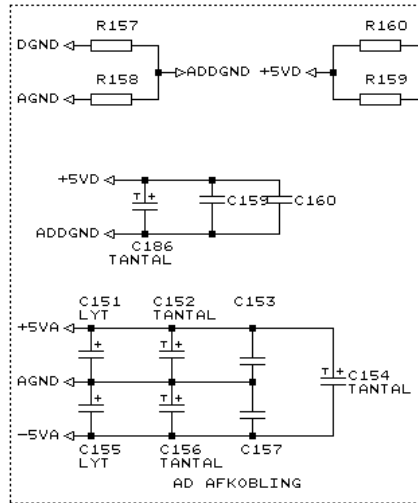
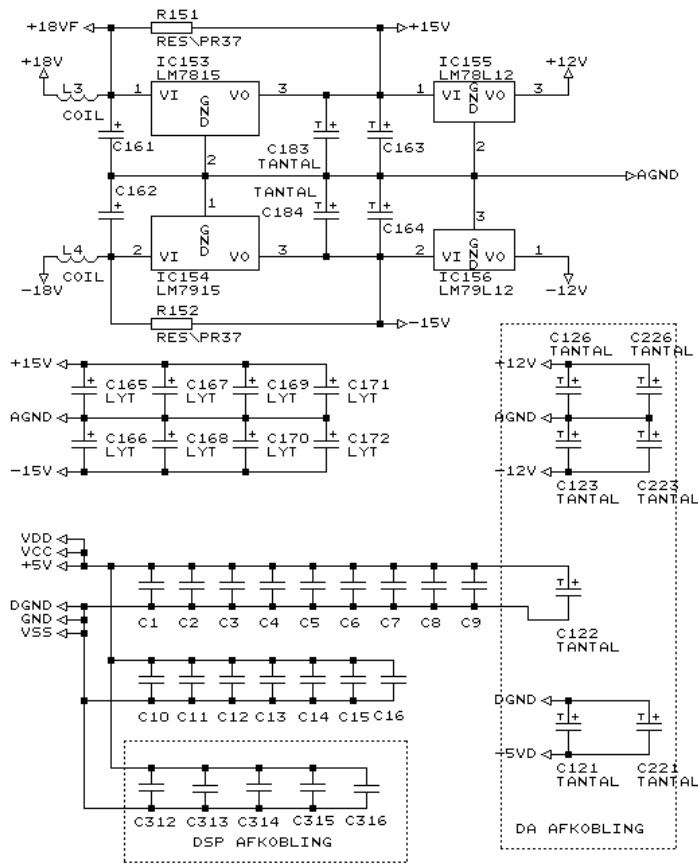
TC ELECTRONIC A/S GRIMHØJVEJ 3 8220 BRABRAND DK DENMARK		
Title AD-CONVERTER FOR M5002		
Size	Document Number	REV
B	AD-30.SCH	3.0
Date:	May 3, 1993	Sheet 2 of 5



DSP-DATA/CONTROL SIGNALS



Title		
TC ELECTRONIC		
DSP56002 ON M5002 BOARD		
Size	Document Number	REV
B	ADADSP30.SCH	3.0
Date:	May 3, 1993	Sheet 4 of 5



TC ELECTRONIC A/S		
GRIMHØJVEJ 3		
8220 BRABRAND		
DK DENMARK		
Title POWER REGULATION FOR M5002 ADA		
Size	Document Number	REV
B	ADAPS30.SCH	3.0
Date:	May 3, 1993	Sheet 5 of 5