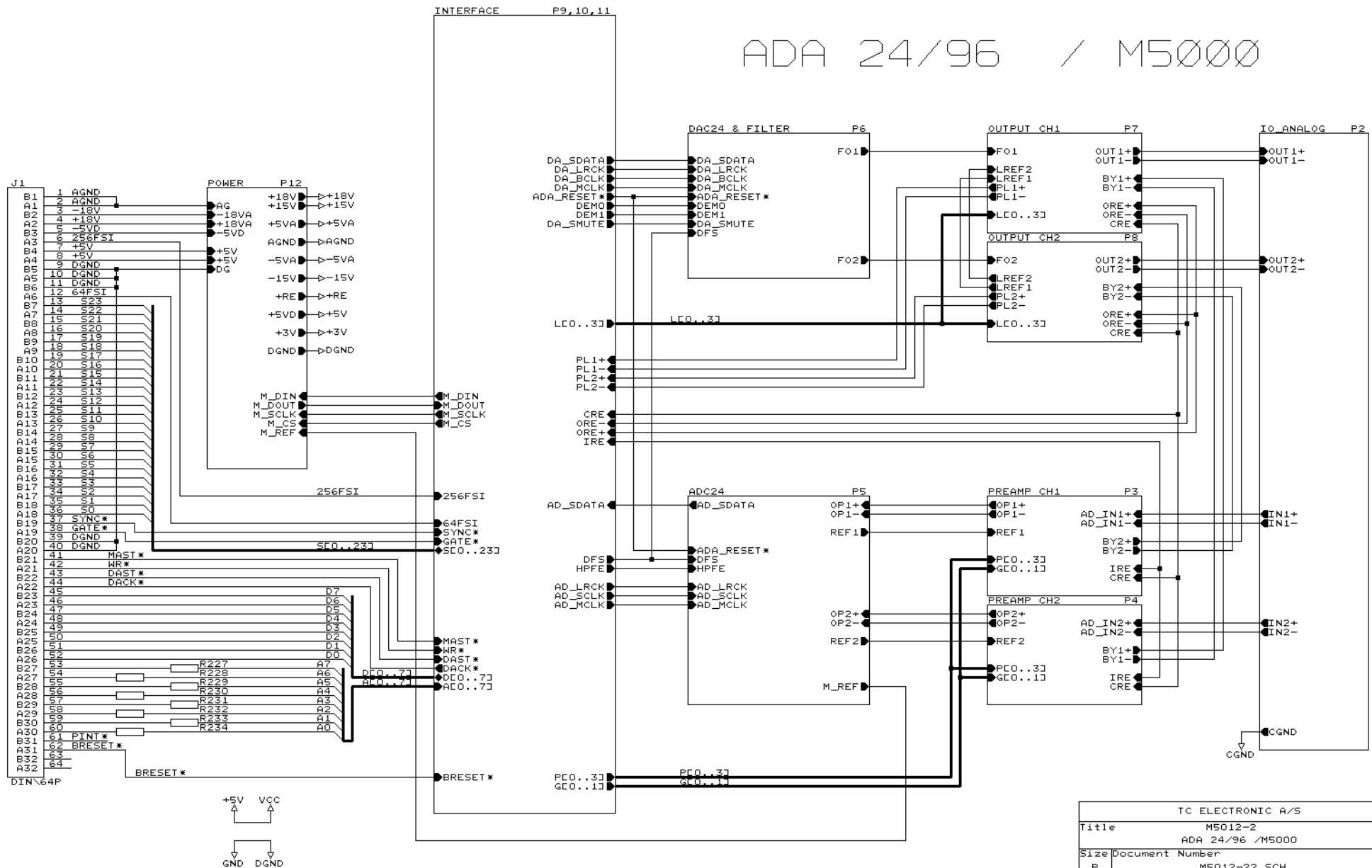
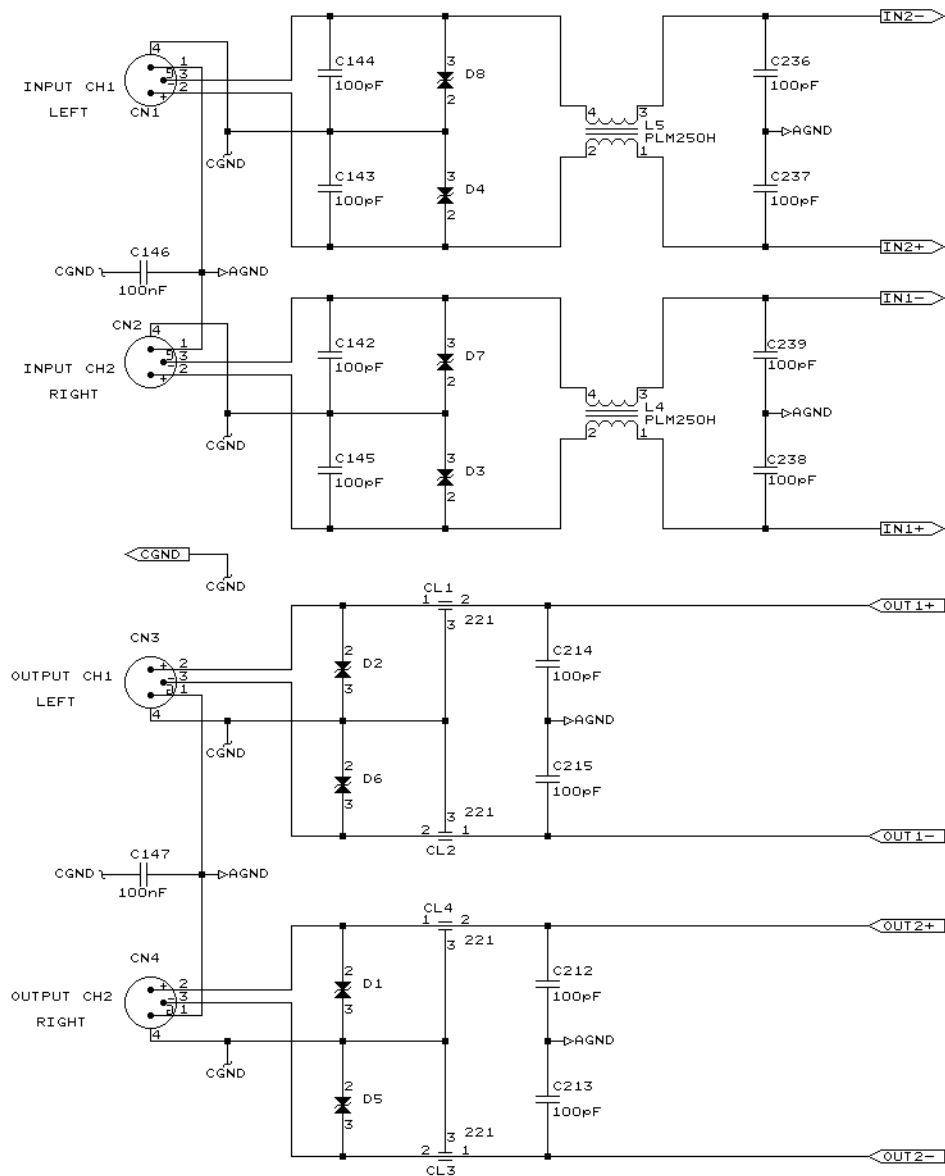


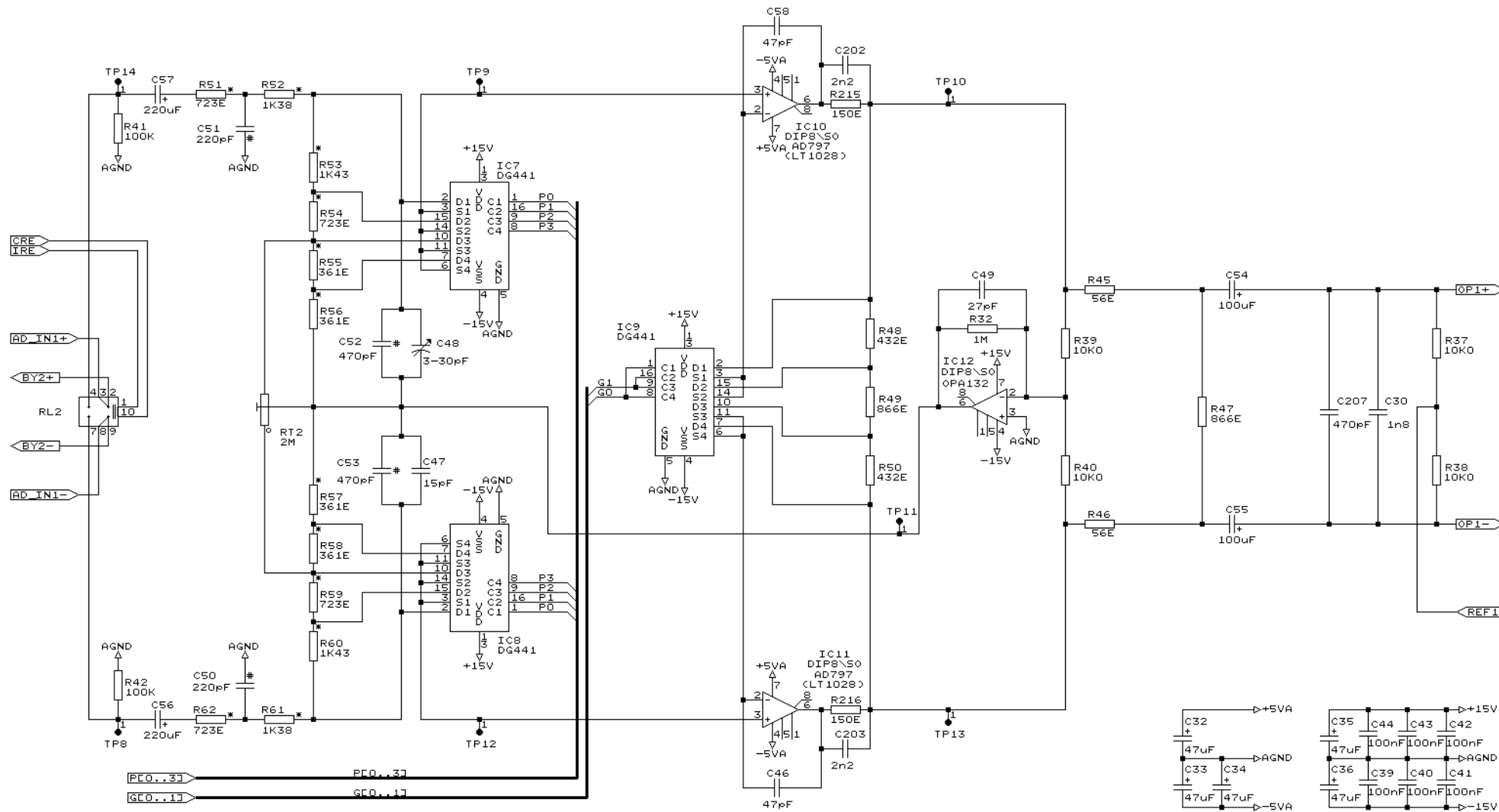
# ADA 24/96 / M5000



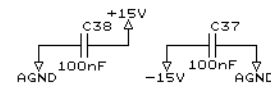
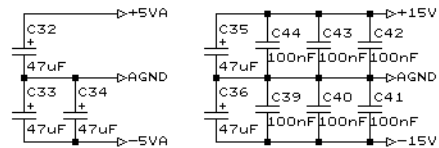
TC ELECTRONIC A/S			
Title	M5012-2 ADA 24/96 /M5000		
Size	Document Number		REV
B	M5012-22.SCH		2.2
Date:	April 7, 1999	Sheet	1 of 12



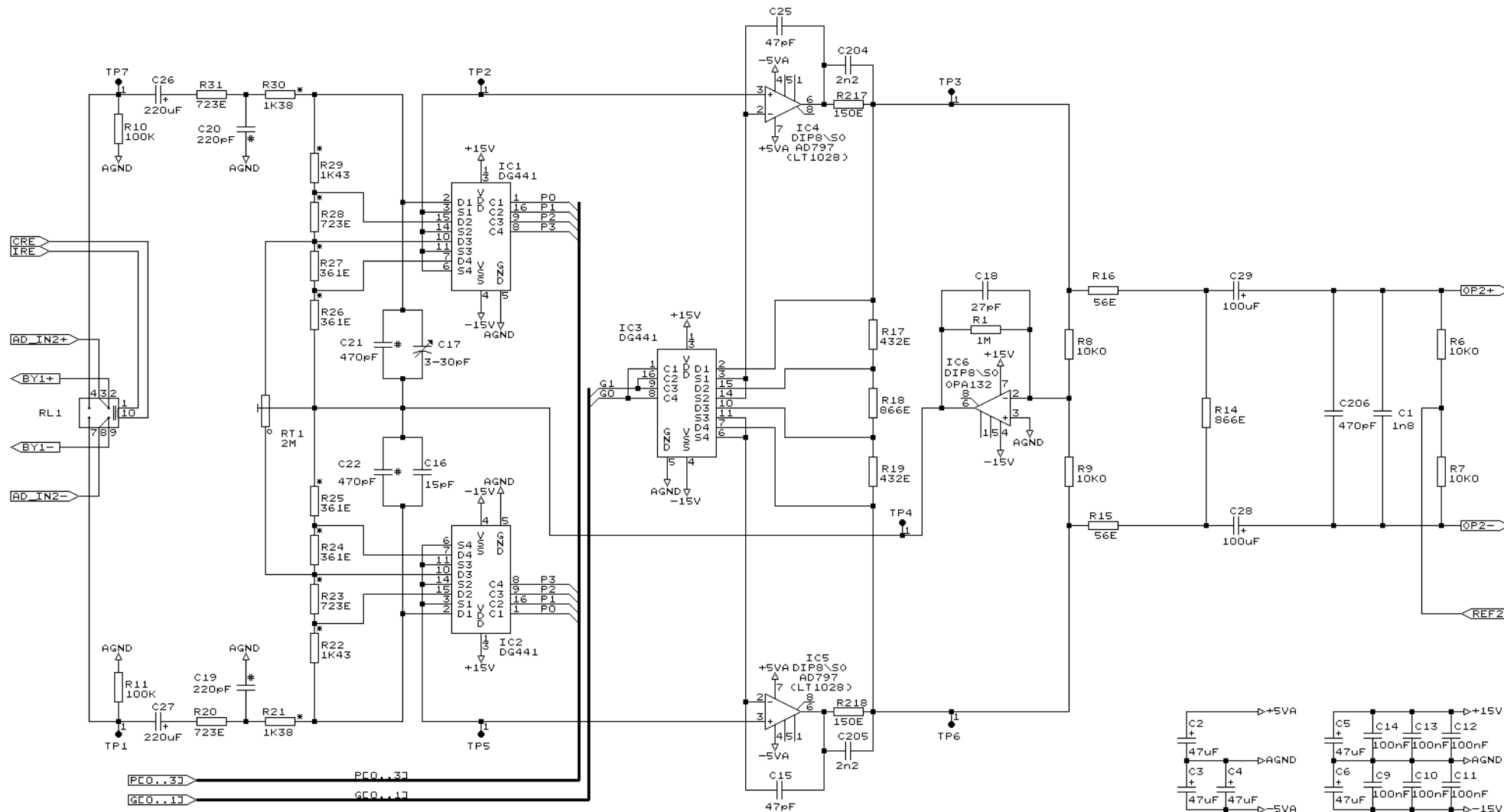
TC-ELECTRONIC/ADA2496/M5000		
Title	ANALOG INPUT/OUTPUT	
Size	Document Number	REV
B	FILE:IO_ANA22.SCH	2.2
Date:	April 7, 1999	Sheet 2 of 12



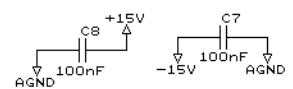
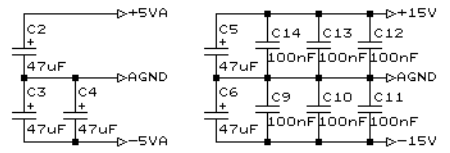
# TOL 2%  
 \* TOL 0.1%



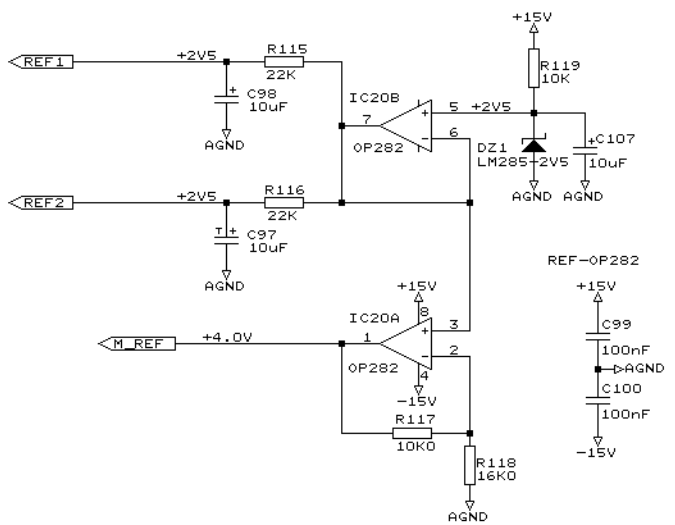
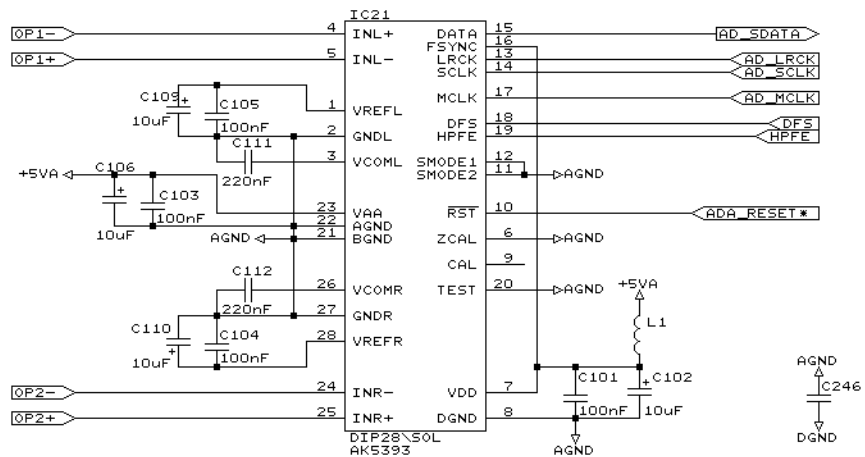
TC-ELECTRONIC/ADA2496/MS000			
Title PREAMP CH1			
Size	Document Number	REV	
B	FILE:PRE1_22.SCH	2.2	
Date:	April 7, 1999	Sheet	3 of 12



# TOL 2%  
 \* TOL 0.1%



TC-ELECTRONIC/ADA2496/M5000			
Title	PREAMP CH2		
Size	Document Number	REV	
B	FILE:PRE2_22.SCH	2.2	
Date:	April 7, 1999	Sheet	4 of 12

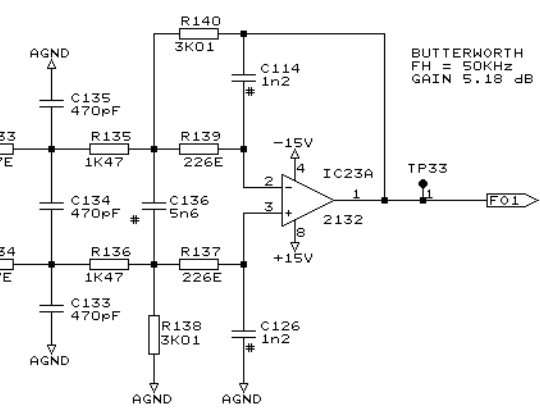
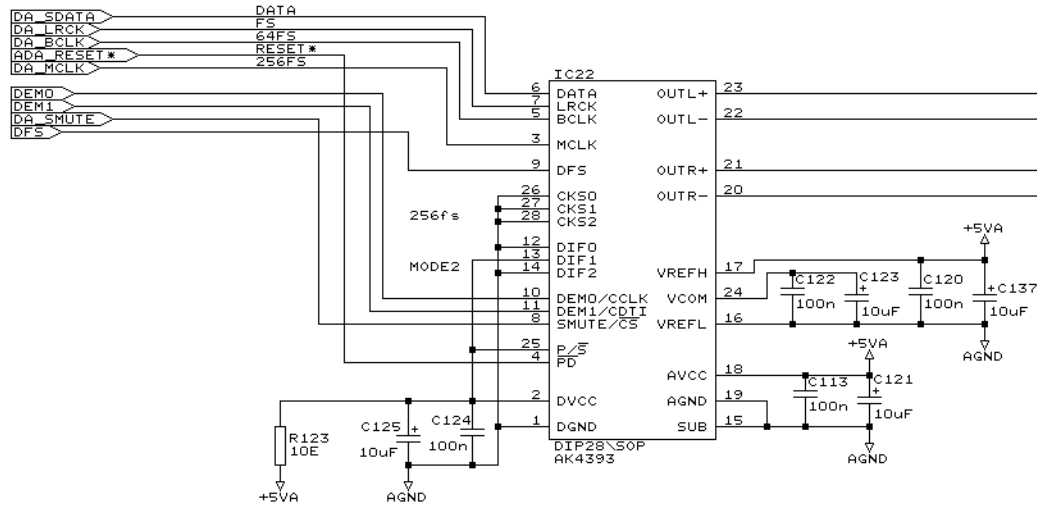


TC-ELECTRONIC/ADA2496/M5000		
Title AD CONVERTER CH1 & CH2		
Size	Document Number	REV
B	FILE:AD24_22.SCH	2.2
Date:	April 7, 1999	Sheet 5 of 12

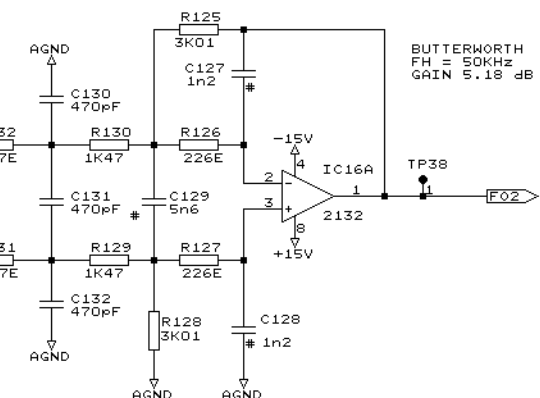
DE-EMPHASIS FILTER

DEF	2	1	0
32K	1	1	0
44K	0	0	0
48K	1	0	0
96K	1	0	1
OFF	1	1	1

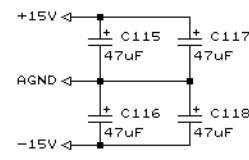
DAC out diff.:  
1.7V rms, 2.4Vp, 6.82dBu



# TOL 2%

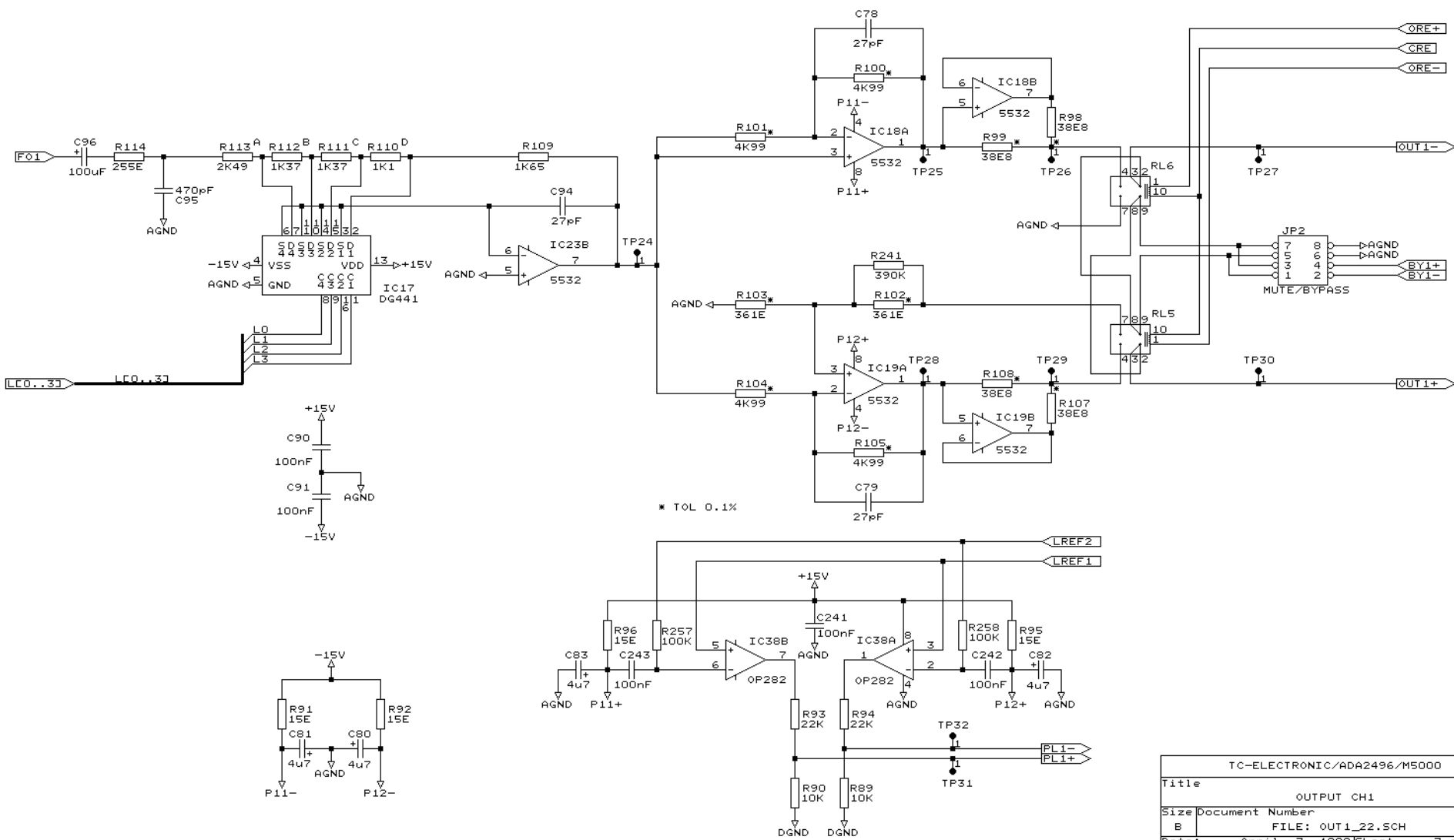


# TOL 2%



TC-ELECTRONIC/ADA2496/M5000		
Title	DAC & FILTER	
Size	Document Number	REV
B	DA24_22.SCH	2.2
Date:	April 7, 1999	Sheet 6 of 12

GAIN                    OUTPUT LEVEL BAL.  
 0dB                    A = 24dBu  
 -1dB                    B = 18dBu  
 -2dB                    C = 12dBu  
 -3dB                    D = 6dBu  
 (UNBAL. -6dB)



TC-ELECTRONIC/ADA2496/M5000		
Title	OUTPUT CH1	
Size	Document Number	REV
B	FILE: OUT1_22.SCH	2.2
Date:	April 7, 1999	Sheet 7 of 12

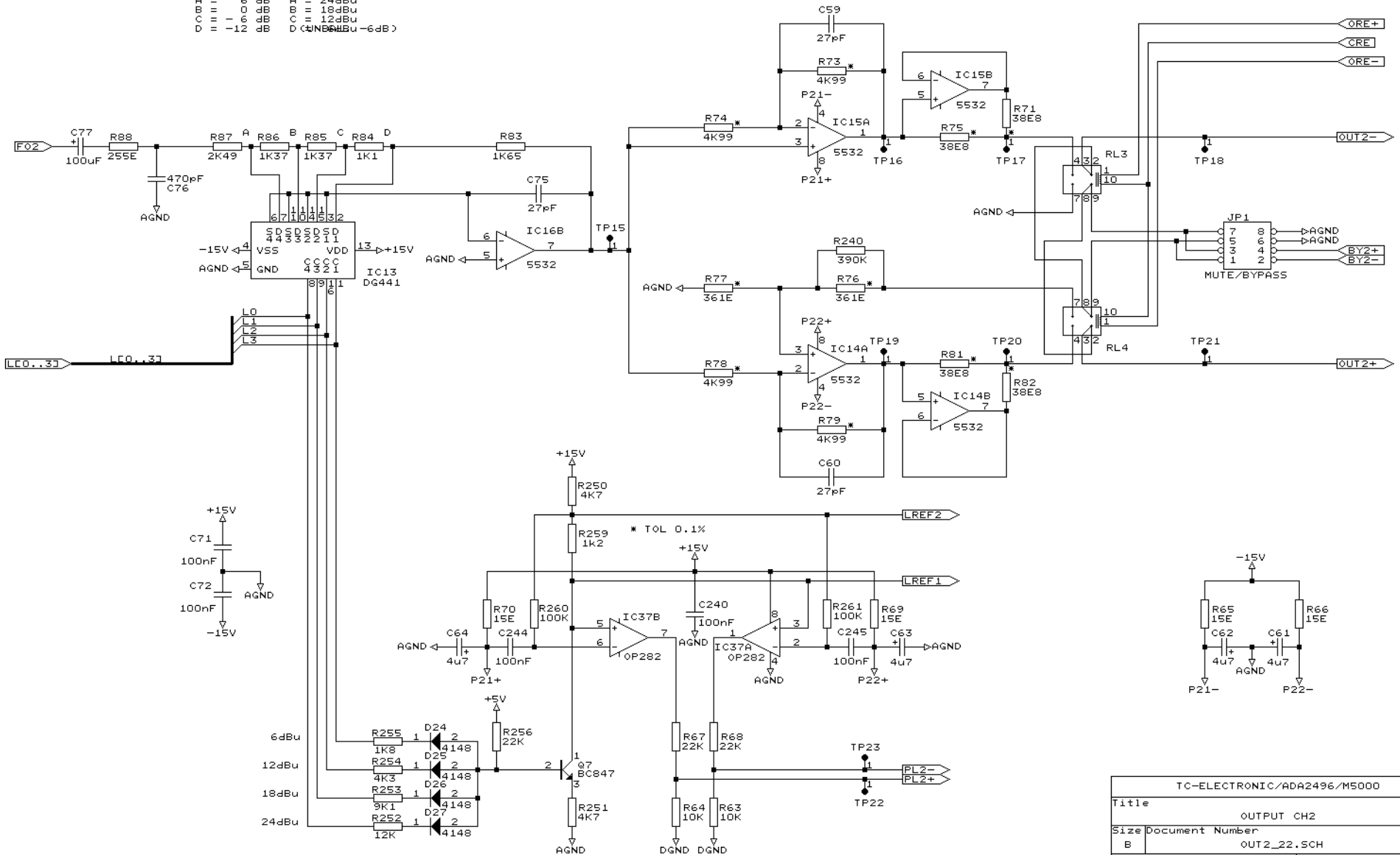
GAIN                    OUTPUT LEVEL BAL.

A = 6dB                A = 24dBu

B = 0dB                B = 18dBu

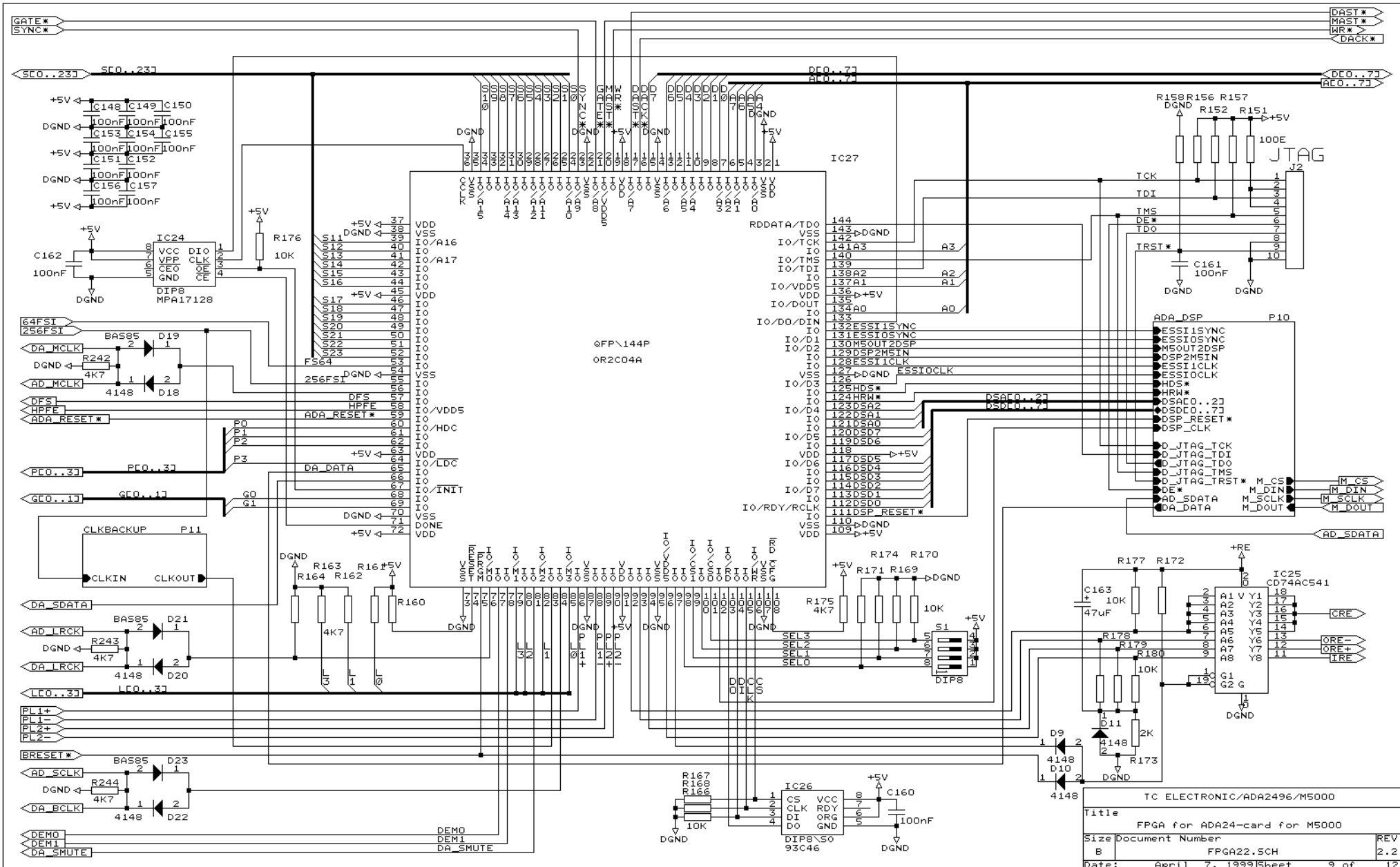
C = 12dB               C = 12dBu

D = 24dB               D = 6dBu

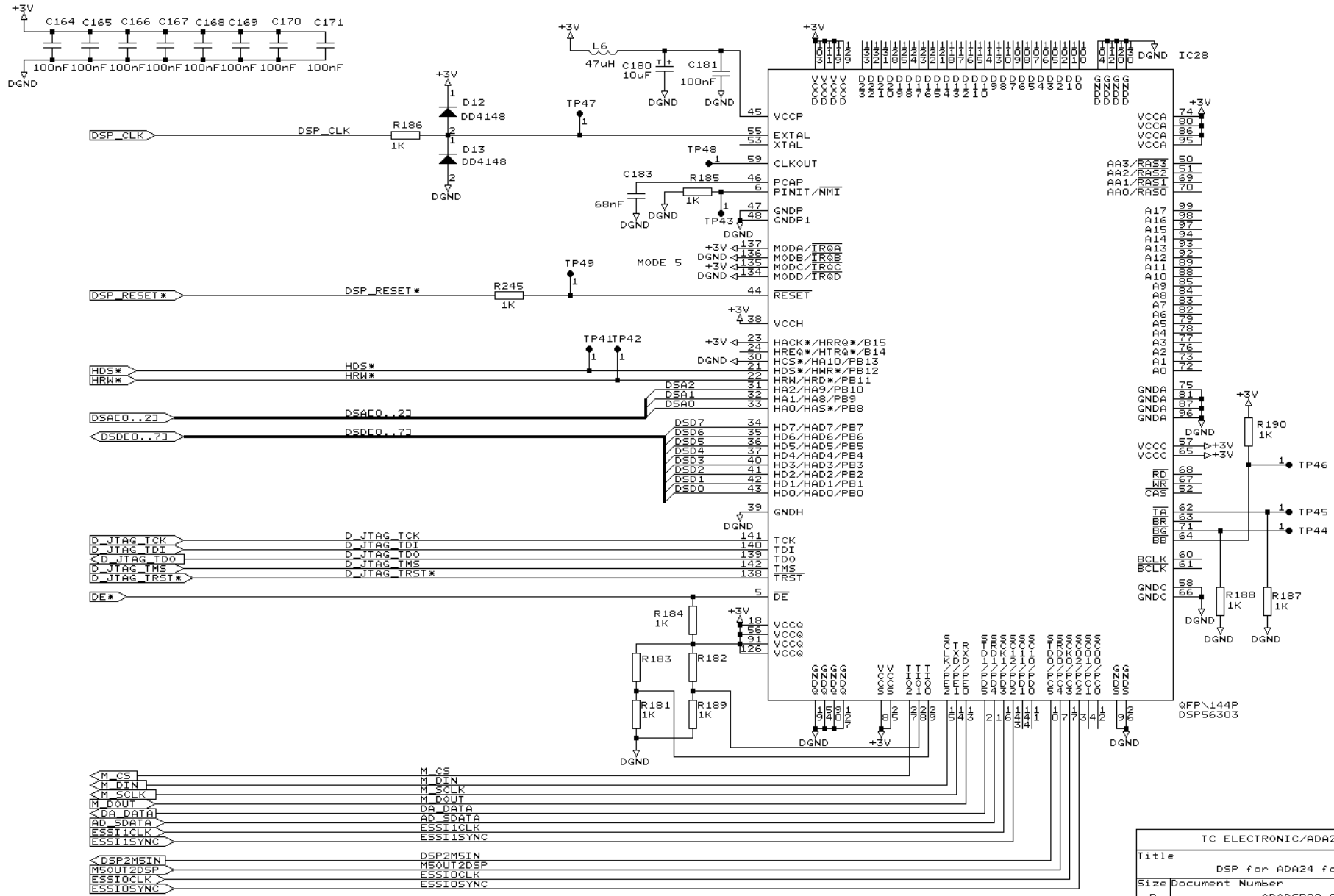


TC-ELECTRONIC/ADA2496/M5000		
Title	OUTPUT CH2	
Size	Document Number	REV
B	OUT2_22.SCH	2.2
Date:	April 7, 1999	Sheet 8 of 12

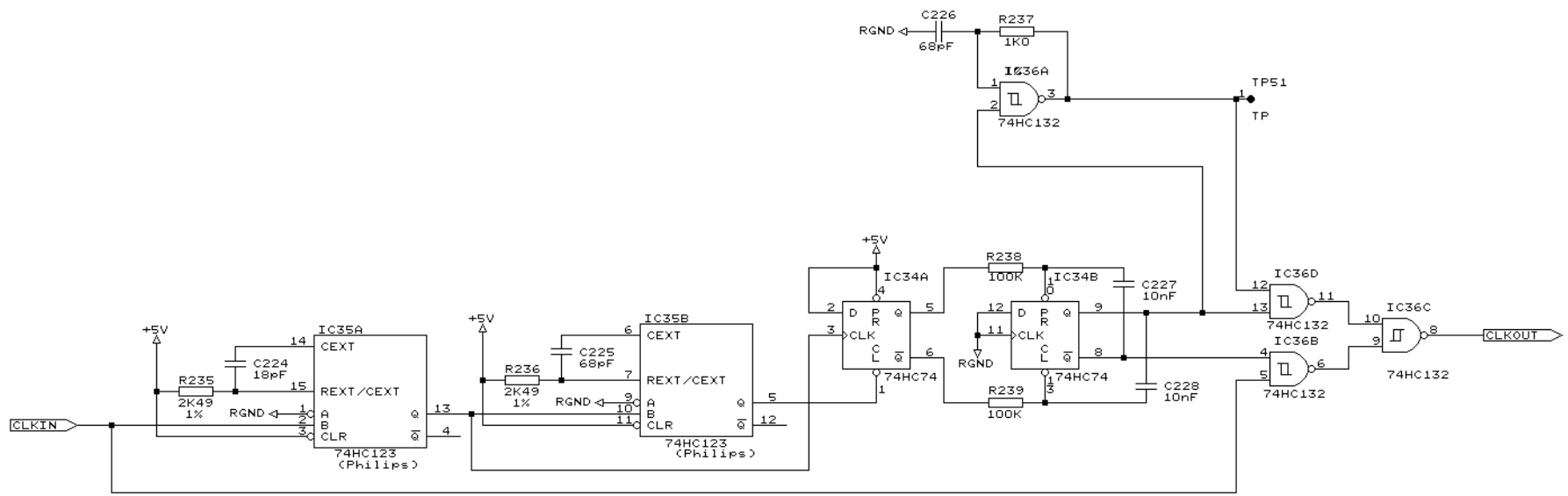




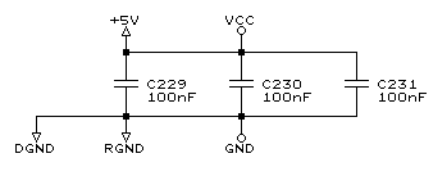
TC ELECTRONIC/ADA2496/M5000		
Title	FPGA for ADA24-card for M5000	
Size	Document Number	REV
B	FPGA22.SCH	2.2
Date:	April 7, 1999	Sheet 9 of 12



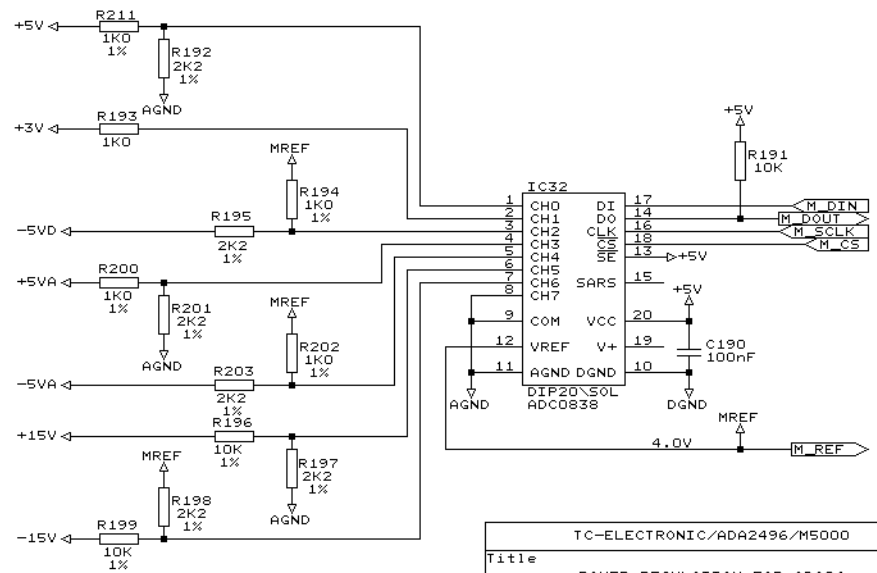
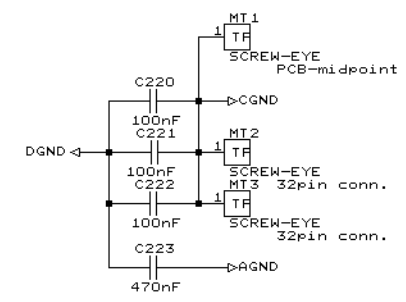
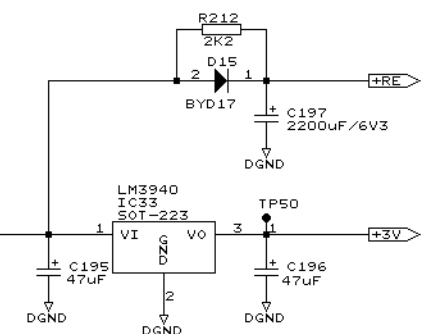
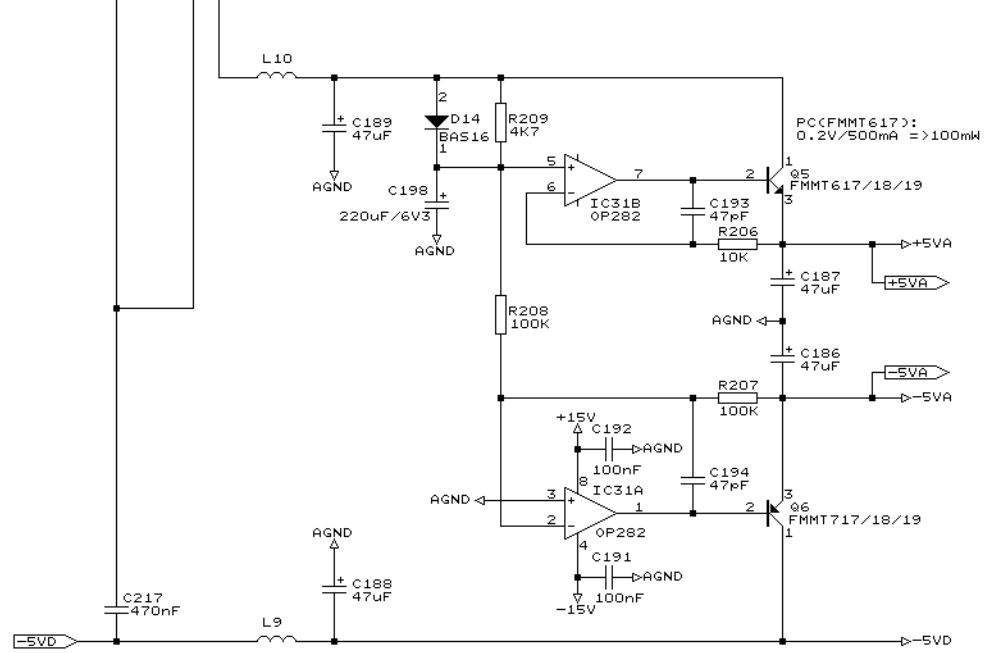
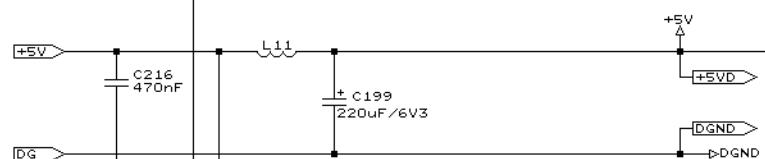
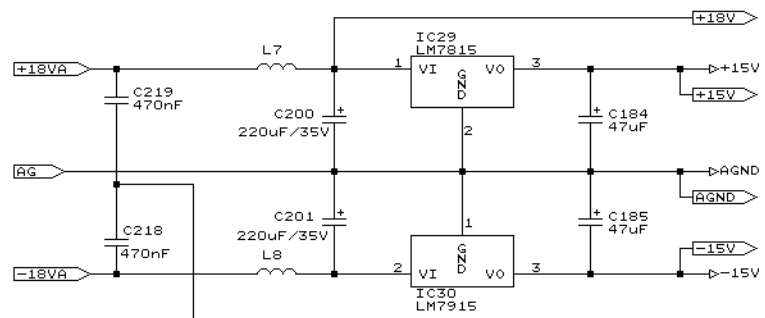
TC ELECTRONIC/ADA2496/M5000		
Title DSP for ADA24 for M5000		
Size	Document Number	REV
B	ADADSP22.SCH	2.2
Date:	April 7, 1999	Sheet 10 of 12



74HC123 PHILIPS TYPE



TC ELECTRONIC A/S		
Title	CLK BACKUP CIRCUIT	
Size	Document Number	REV
B	CLKBUP22.SCH	2.2
Date:	April 7, 1999	Sheet 11 of 12



TC-ELECTRONIC/ADA2496/M5000		
Title	POWER REGULATION FOR ADA24	
Size	Document Number	REV
B	FILE:POWER22.SCH	2.2
Date:	April 7, 1999	Sheet 12 of 12