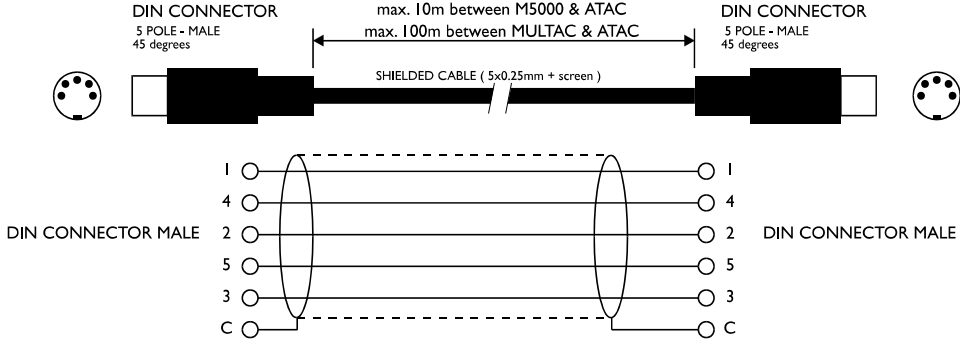
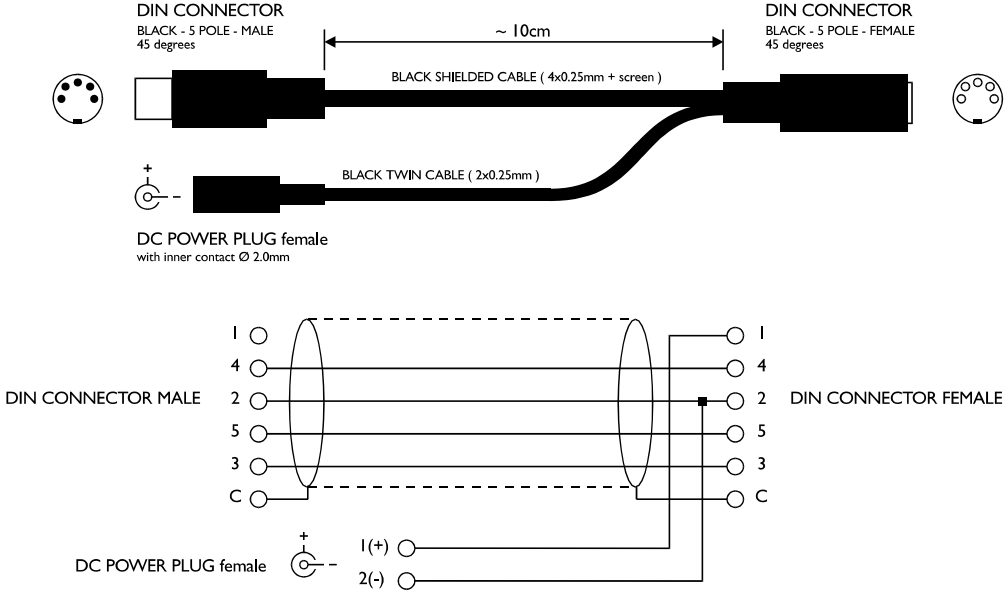


Specifications for Cables:

Cable for connecting ATAC to M5000/X or to MULTAC:



Split-cable for connecting Power Supply to ATAC:



Cable for connecting M5000/X to MULTAC:

