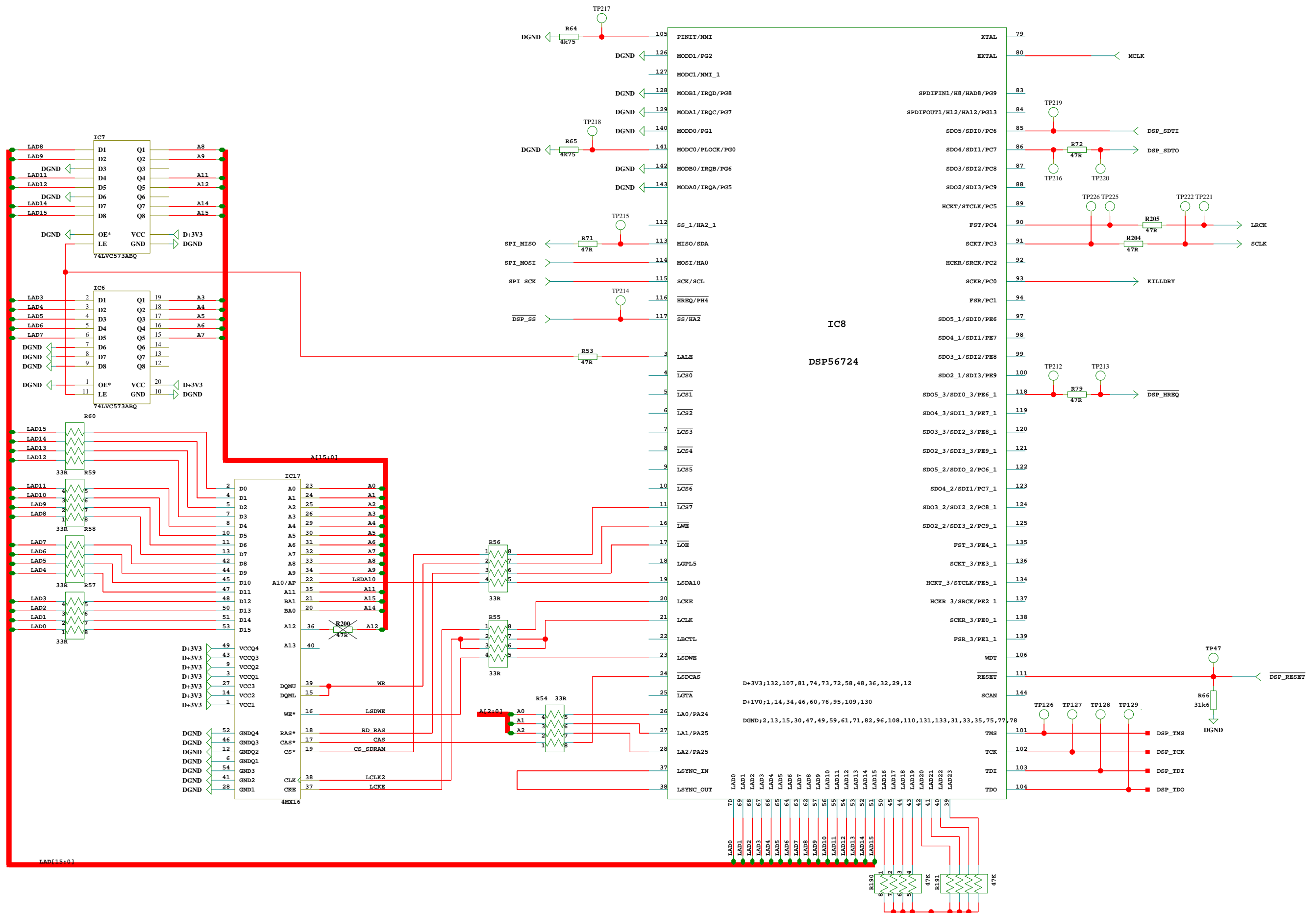
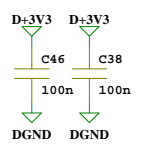


M1
 P22381-D
 PCB

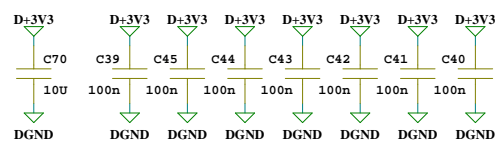
		Designer(s) HJE/PRO		
Title ALTEREGOII (1284-LEOTWO)		Module title MODULE TITLE		
Number P22381	Revision D	Variant H	Version A	Board type MAINBOARD
Date 13/09/2013:16:17	Filename P22381-D	Page / of 1 / 5		



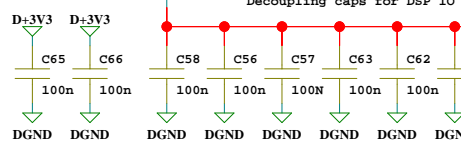
Decoupling caps for Latch



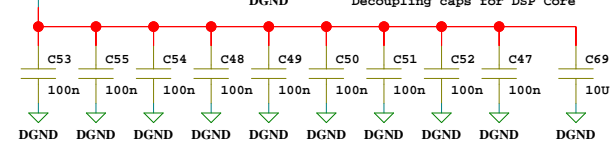
Decoupling caps for SDRAM



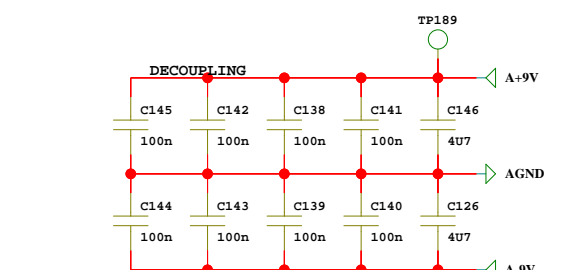
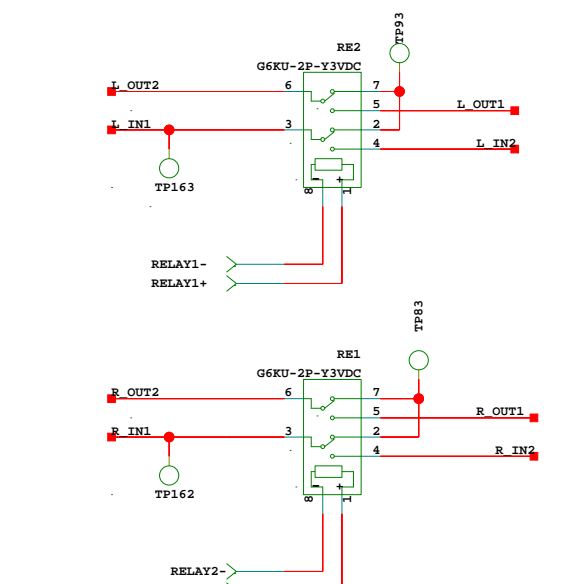
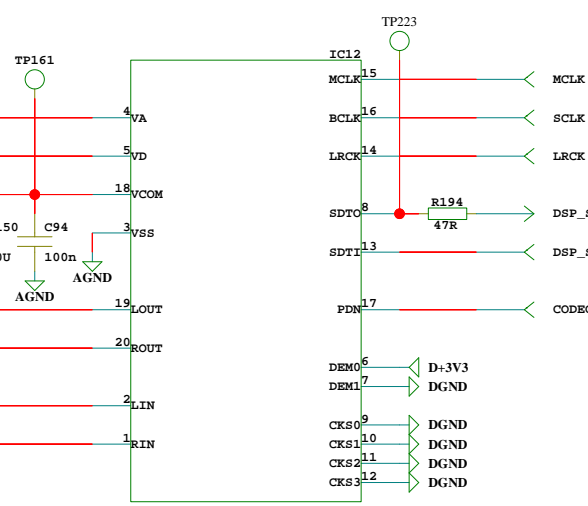
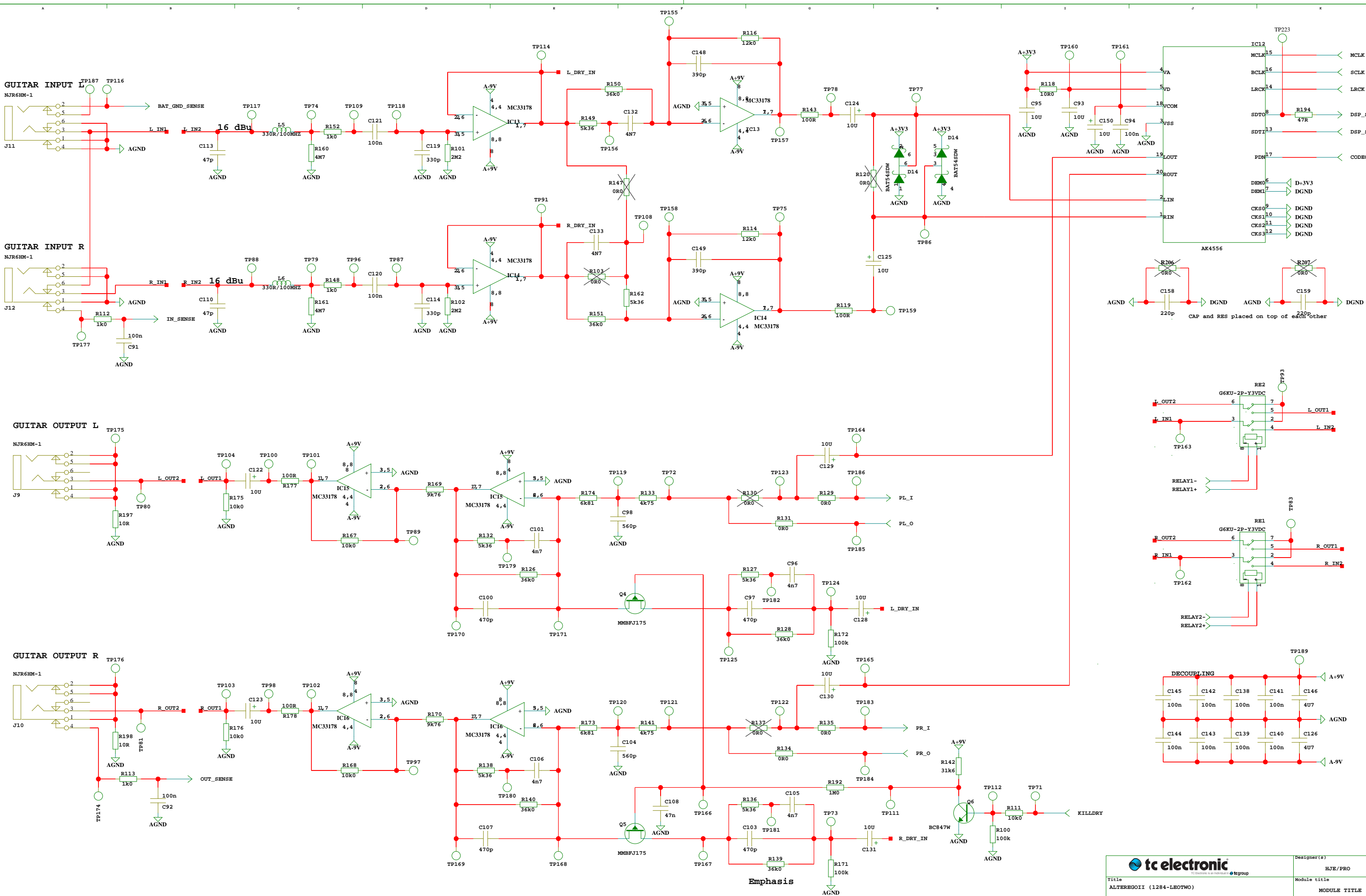
Decoupling caps for DSP IO



Decoupling caps for DSP Core



		Designer(s)		
		HJE/PRO		
Title		Module title		
ALTERREG0II (1284-LEOTWO)		MODULE TITLE		
Number	Revision	Variant	Version	Board type
F22381	D	H	A	MAINBOARD
Date	Filename	Page / of		
13/09/2013:16:17	dsp724	3 / 5		



Emphasis

				Designer(s)	HJE/PRO
Title				Module title	
ALTERREGOII (1284-LEOTWO)				MODULE TITLE	
Number	Revision	Variant	Version	Board type	
F22381	D	H	A	MAINBOARD	
Date	Filename				Page / of
13/09/2013:16:17	analog				4 / 5

