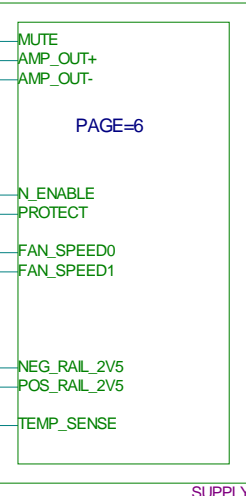
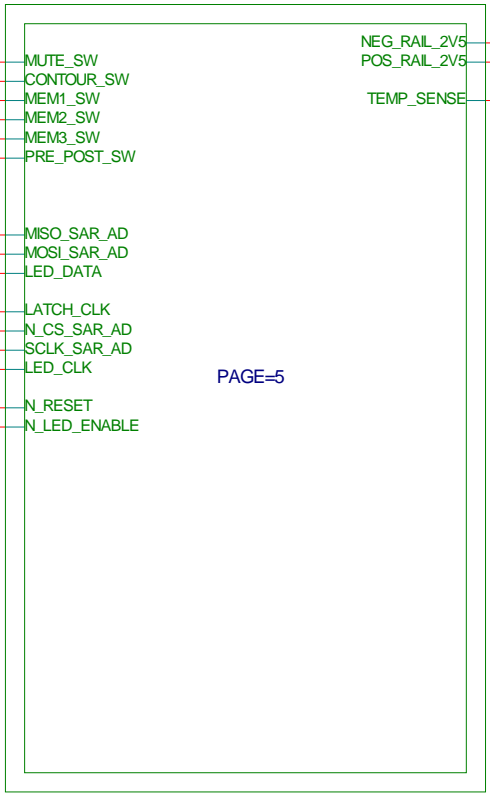
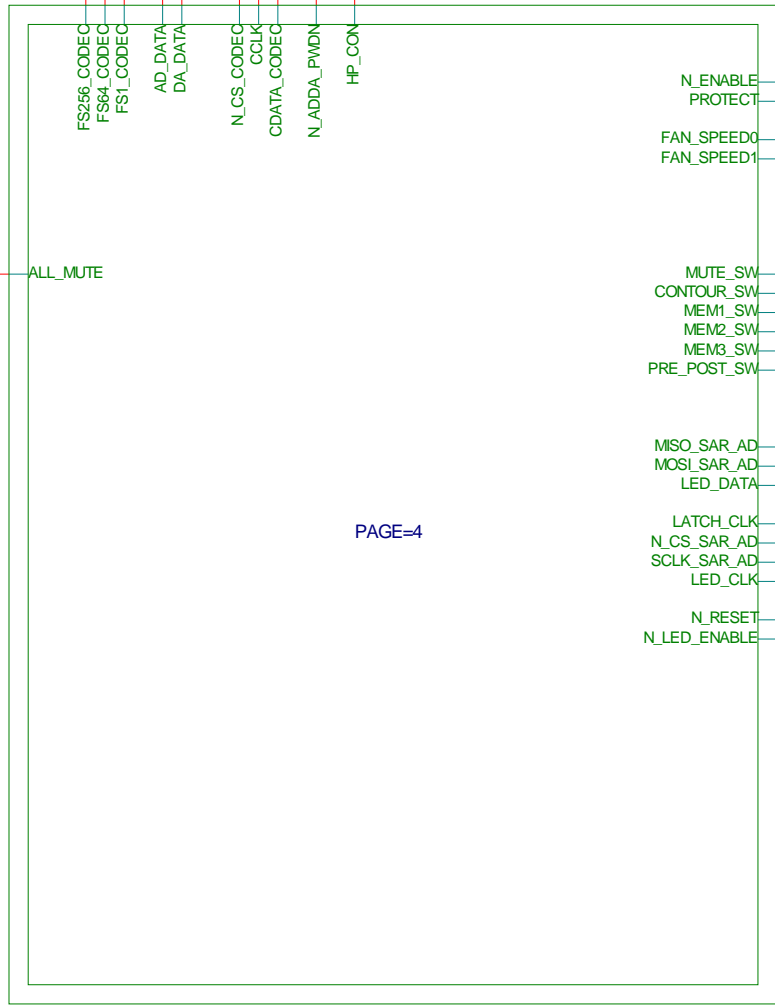
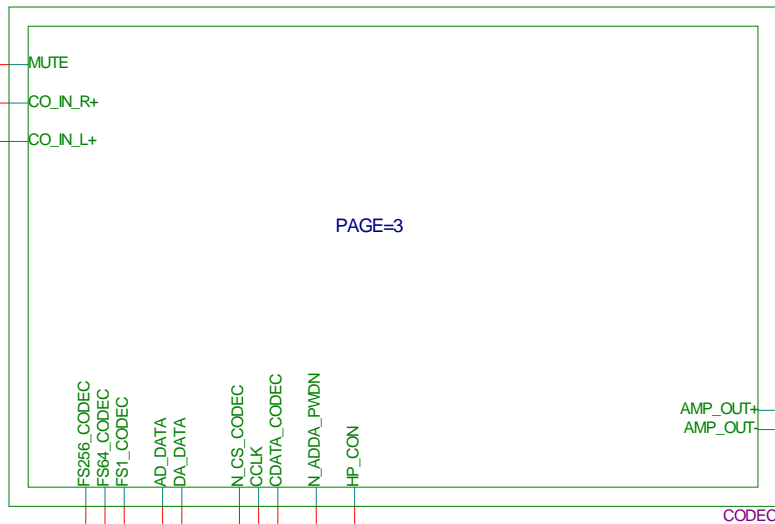
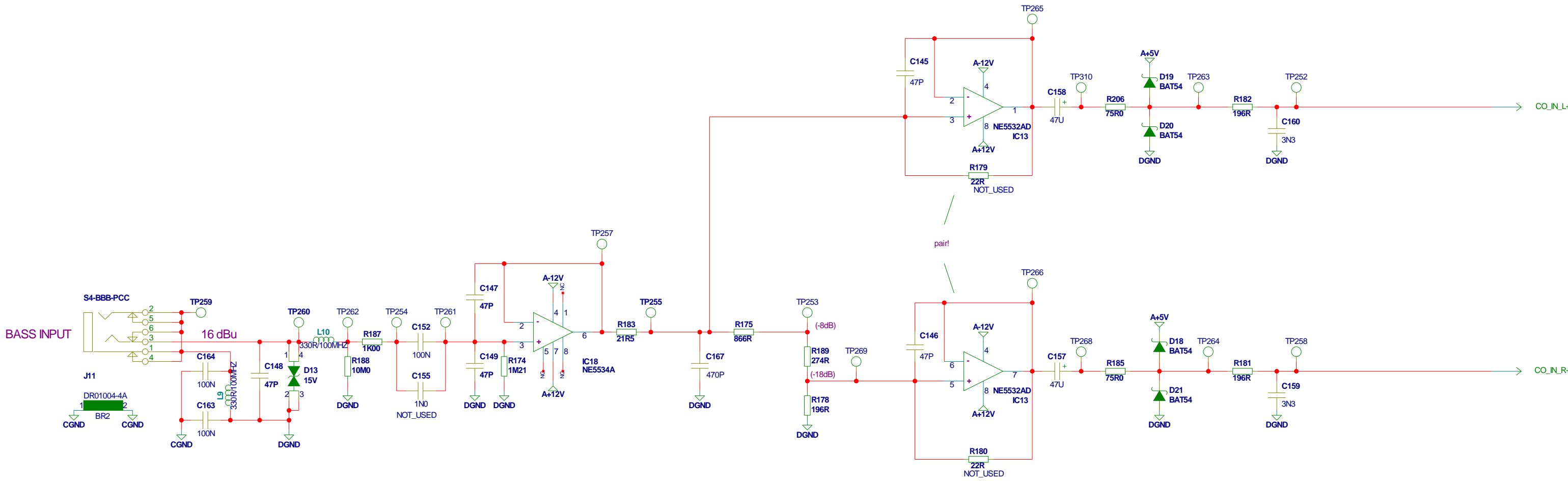


ANALOG\_INPUT

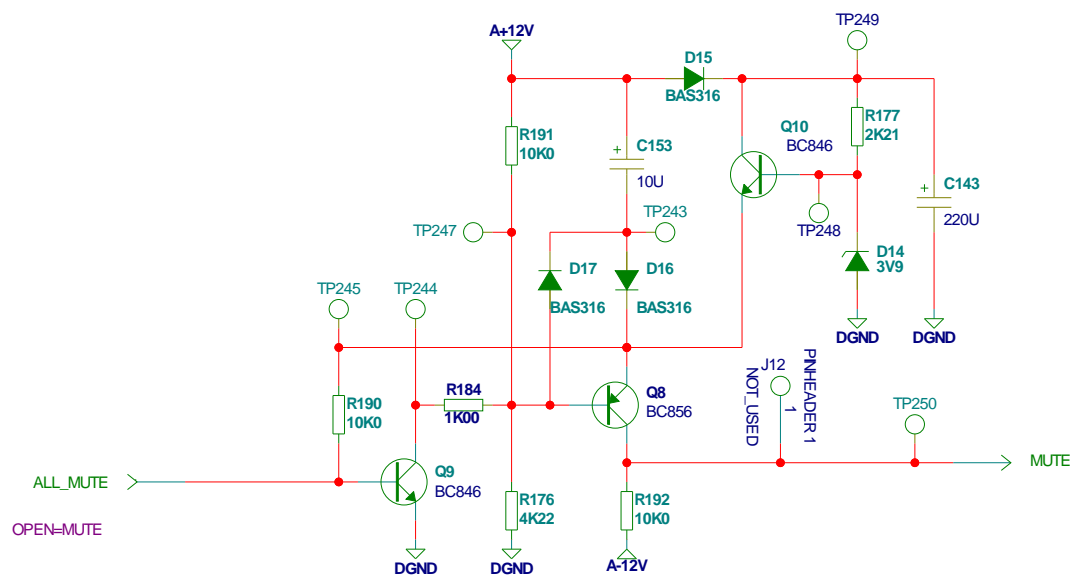


M1  
P18311-D

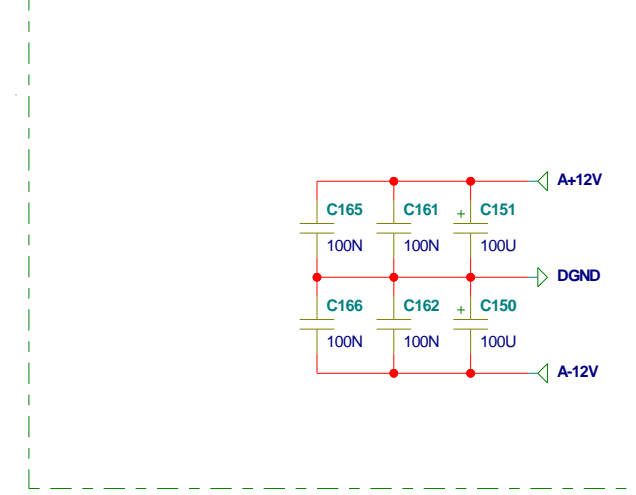
TC Electronic A/S		Designer
MAINBOARD		MC/LHOKEWAN
TOP SHEET		
Number	Revision	Previous page
P18311	DAB	XX
Date	Filename	Page / of
3-22-2010 11:39	P18311_D	1 / 6



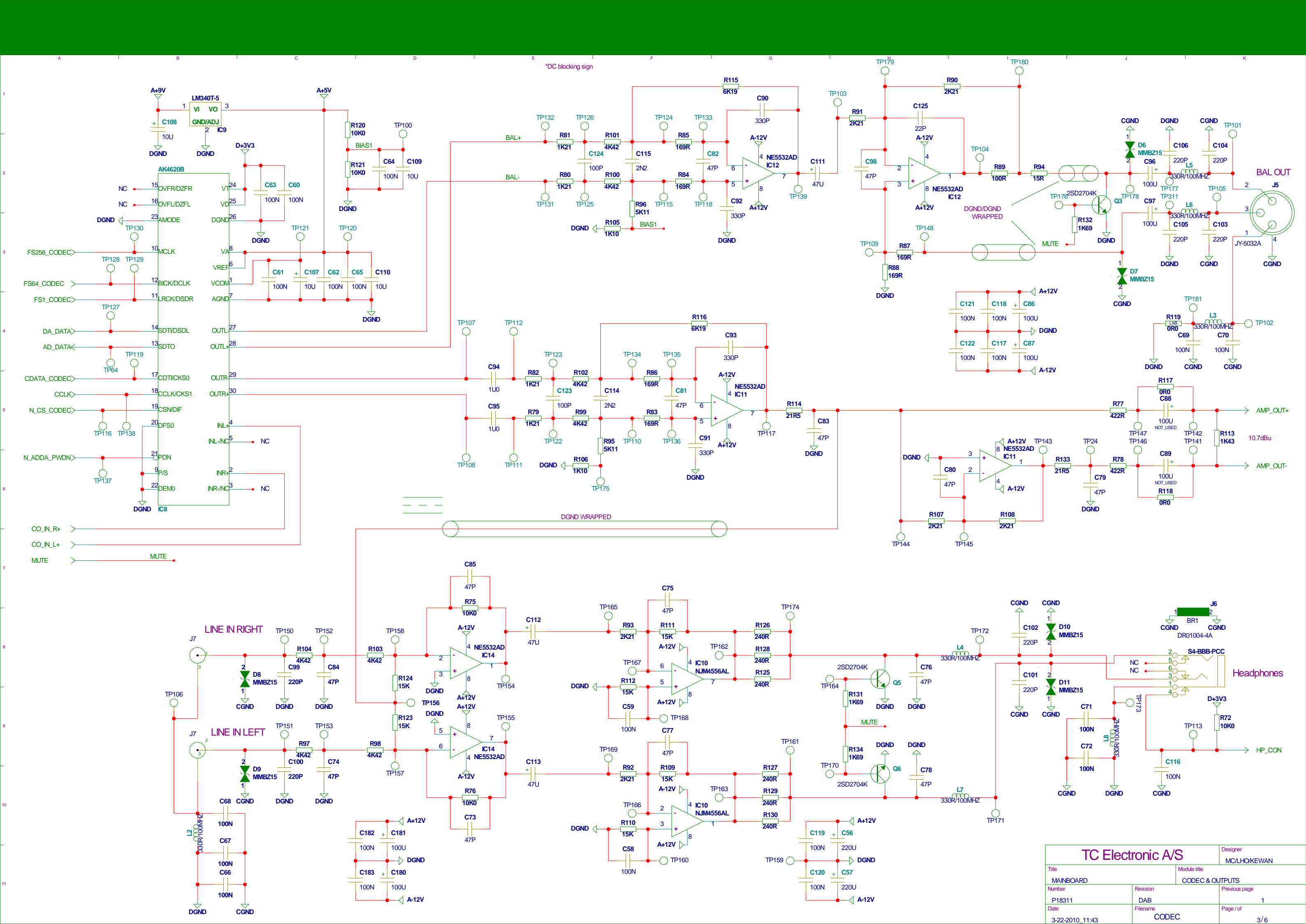
MUTE CIRCUIT



DECOUPLING

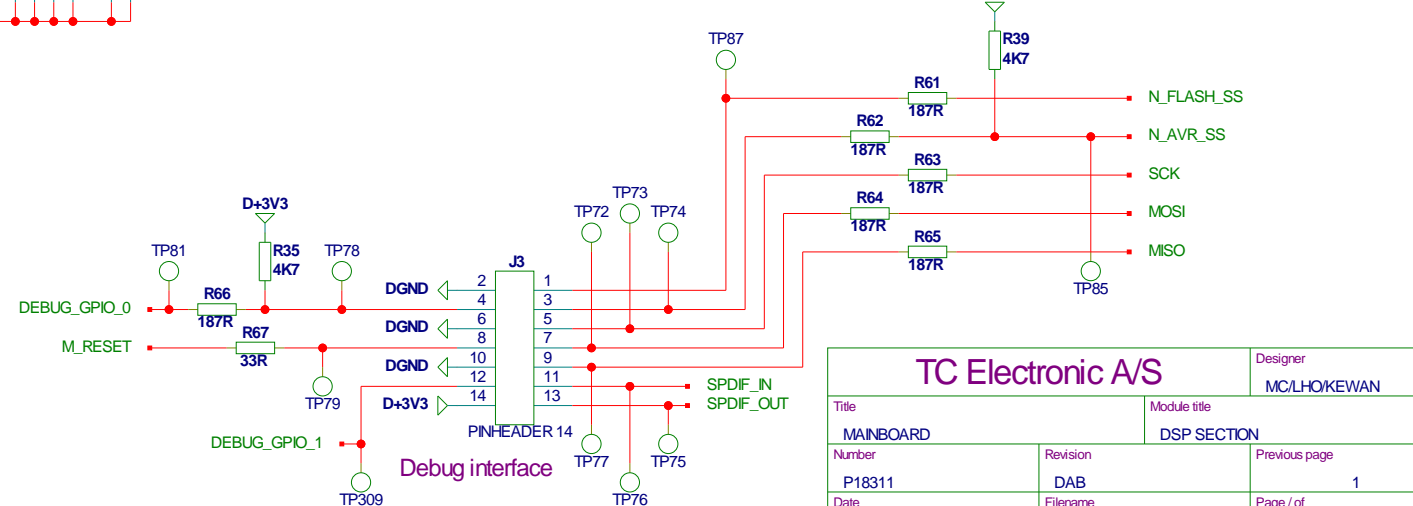
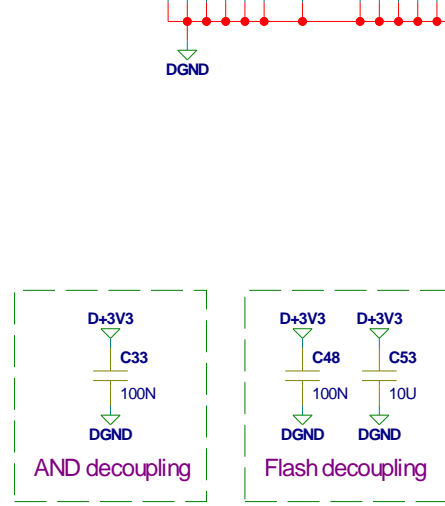
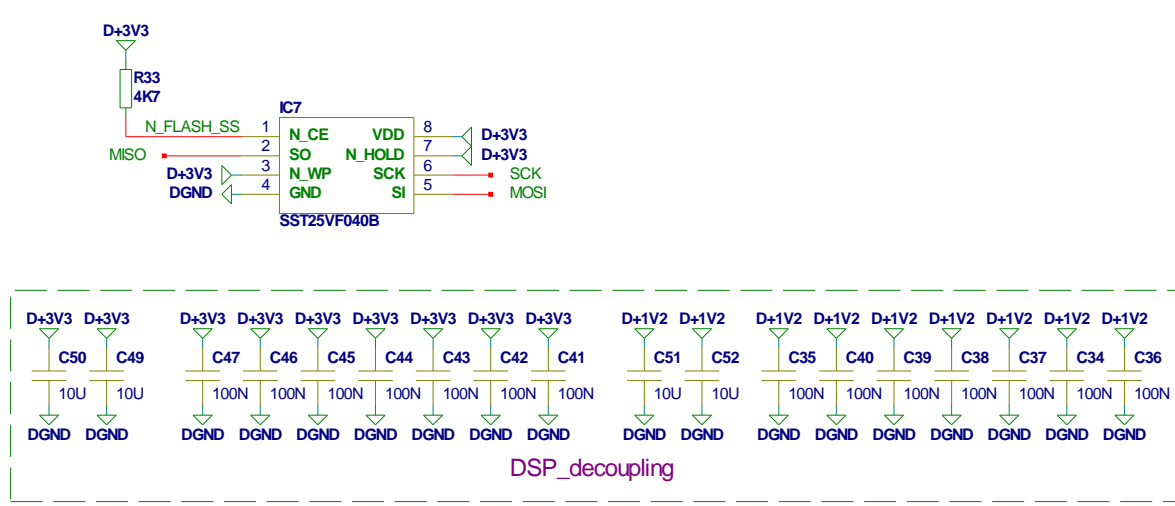
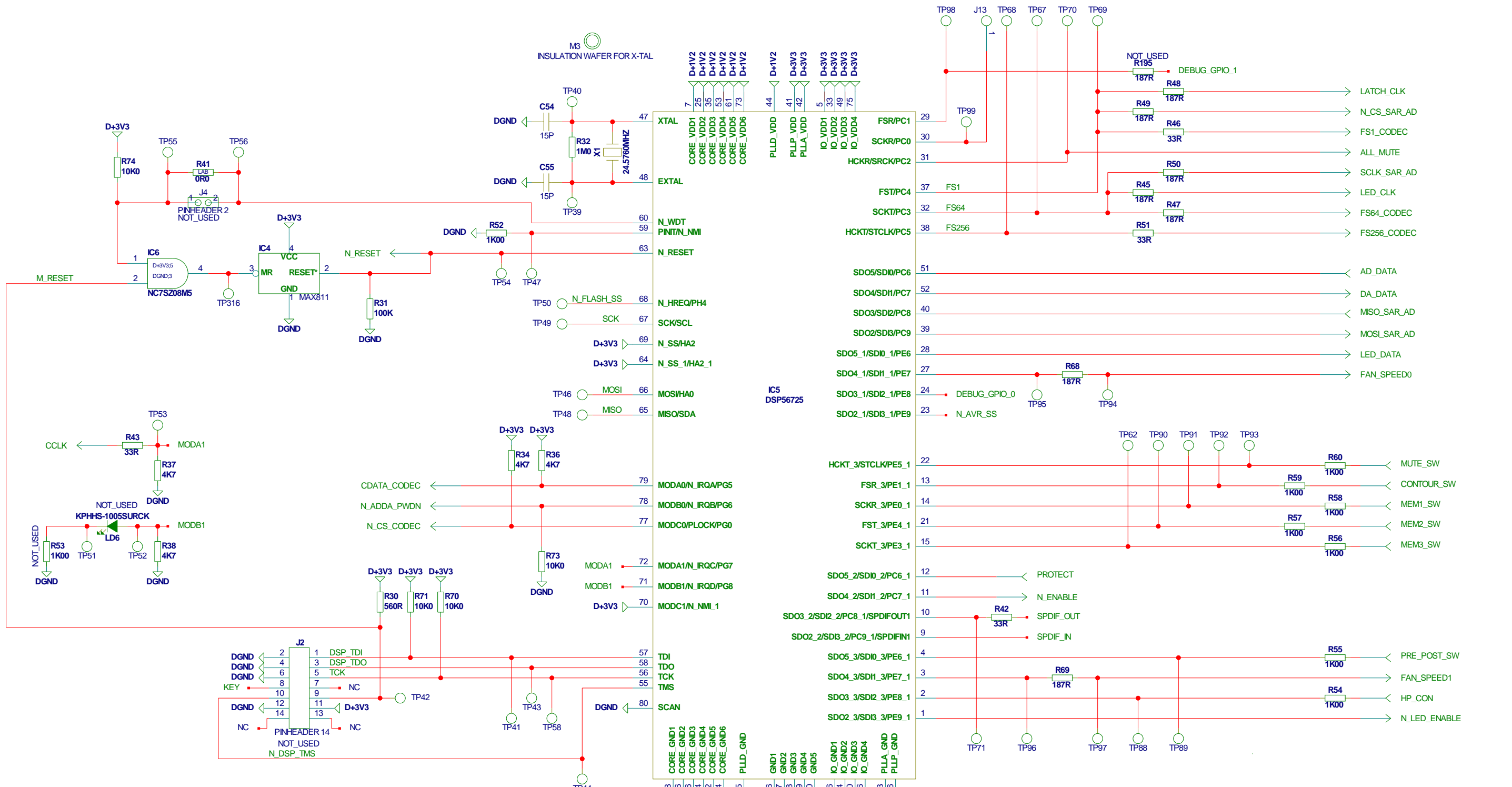


<b>TC Electronic A/S</b>		Designer MCL/HOIKEWAN
Title MAINBOARD		Module title ANALOG INPUT
Number P18311	Revision DAB	Previous page 1
Date 1-30-2004_15:01	Filename TC_HEADER	Page / of 2 / 6

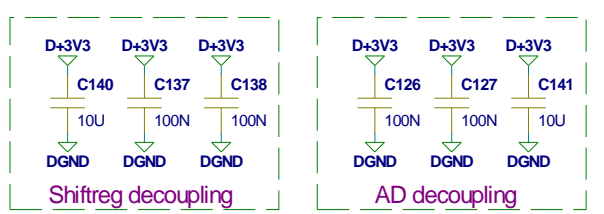
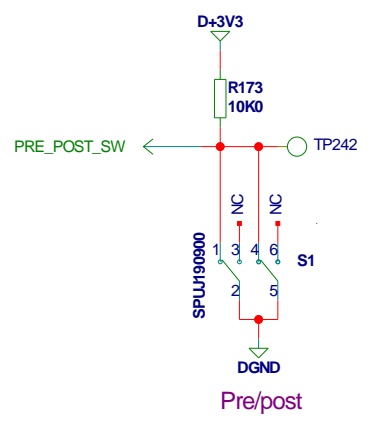
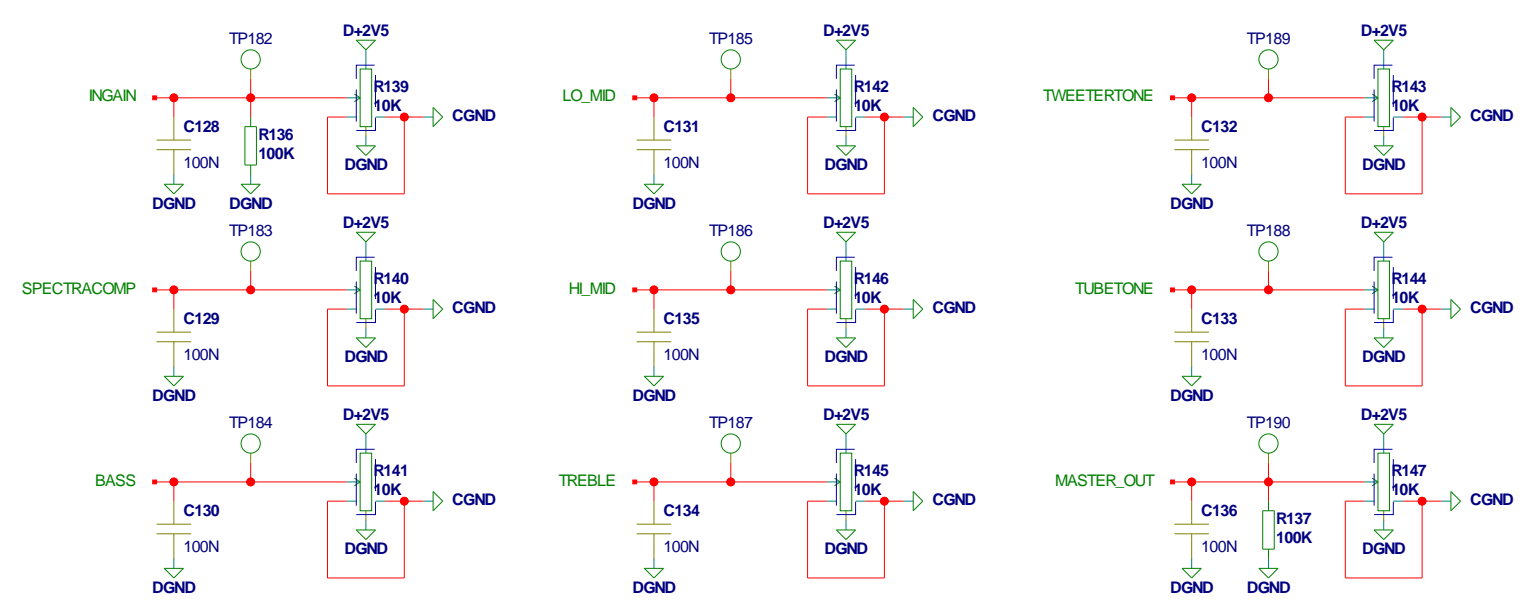
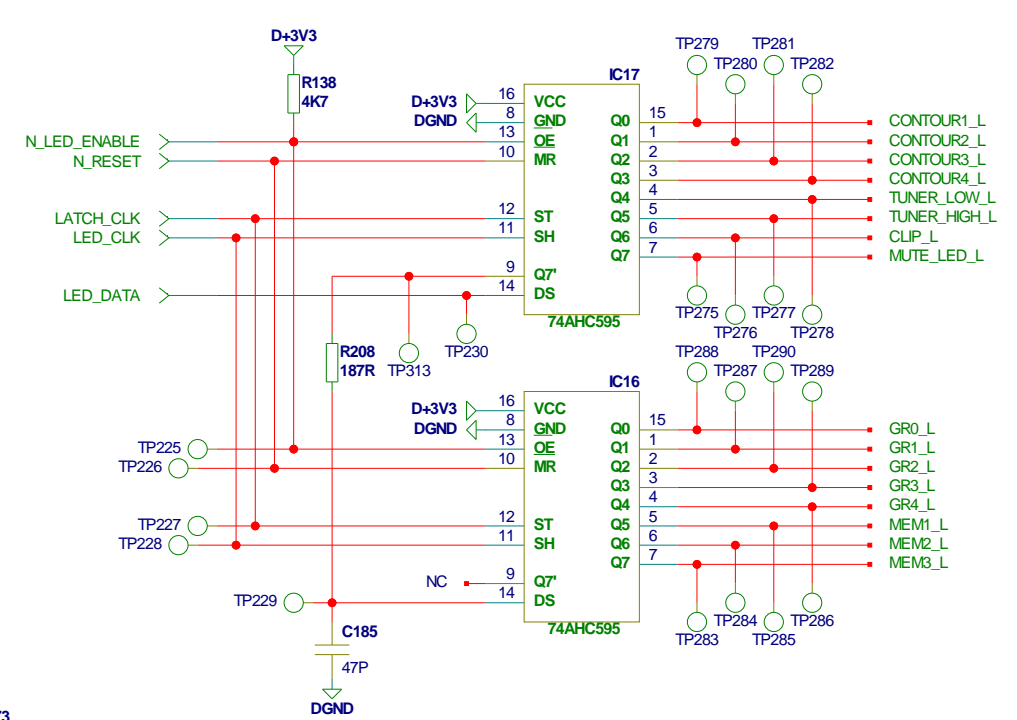
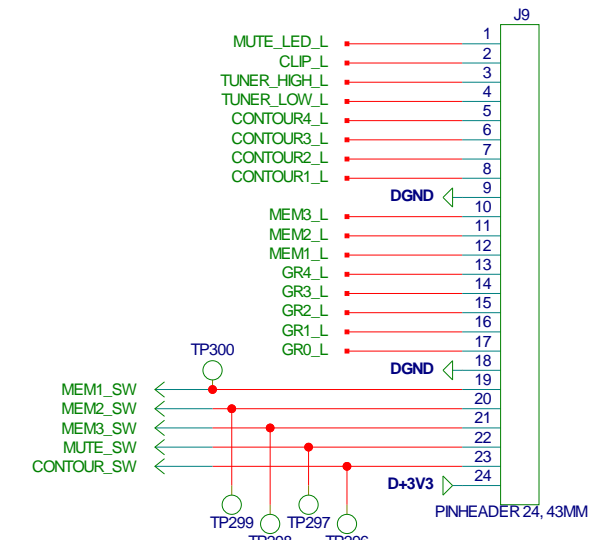
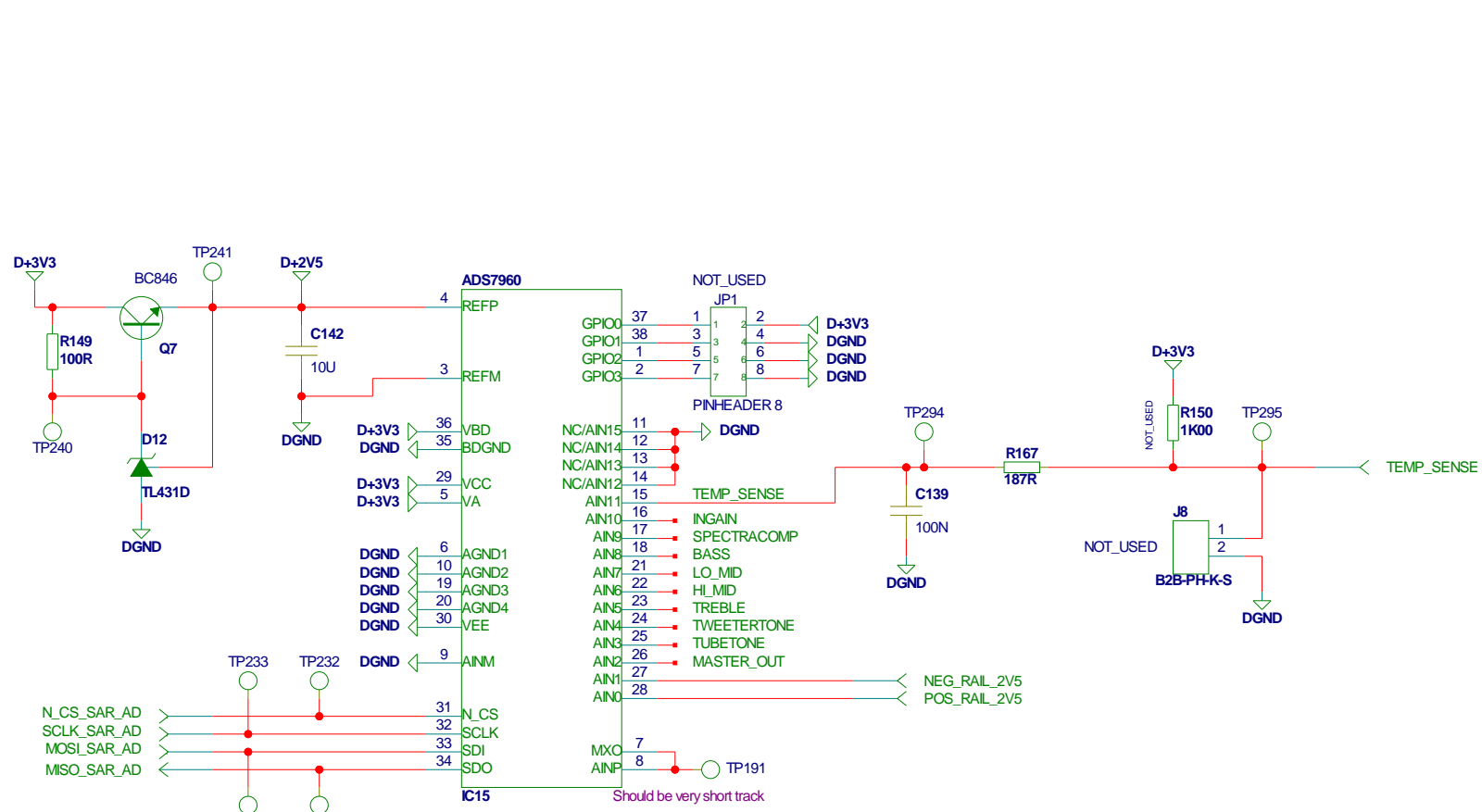


\*DC blocking sign

<b>TC Electronic A/S</b>		Designer	MCLHOKEWAN
Title		Module title	
MAINBOARD		CODEC & OUTPUTS	
Number	Revision	Previous page	
P18311	DAB	1	
Date	Filename	Page / of	
3-22-2010_11:43	CODEC	3 / 6	

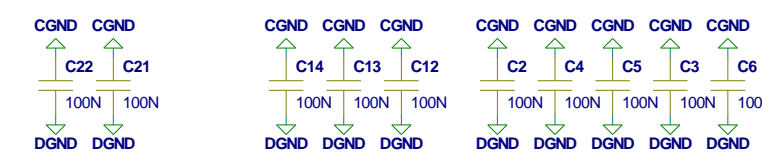
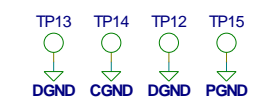
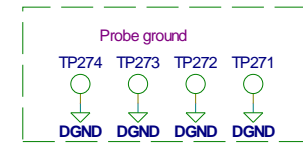
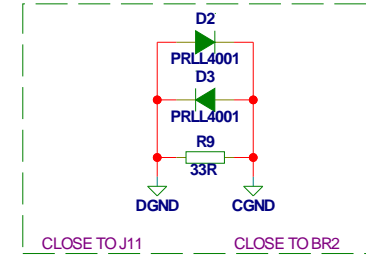
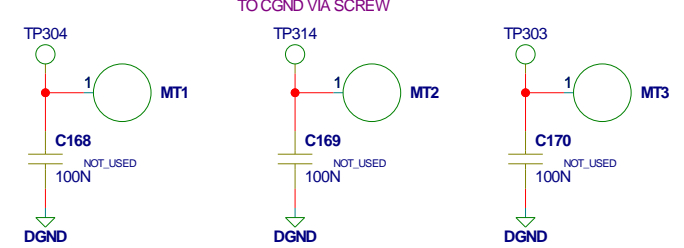
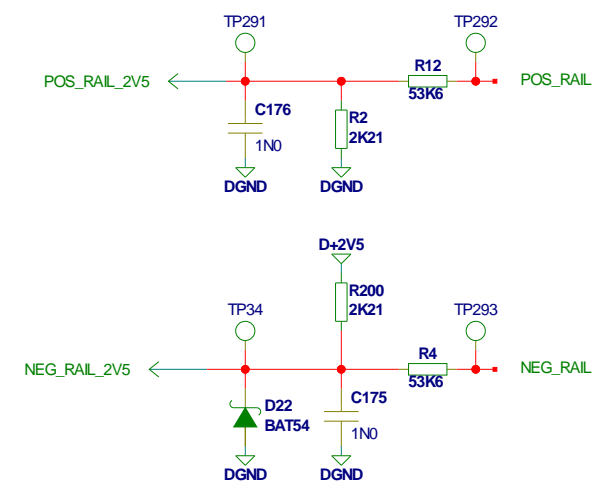
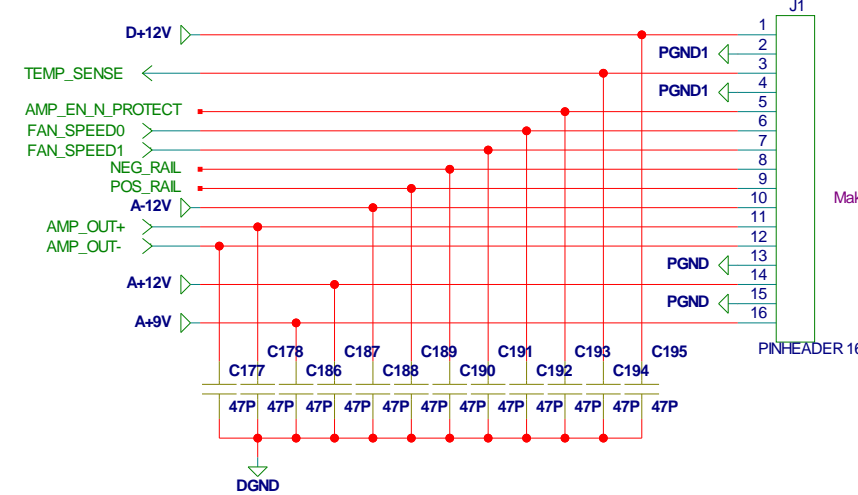
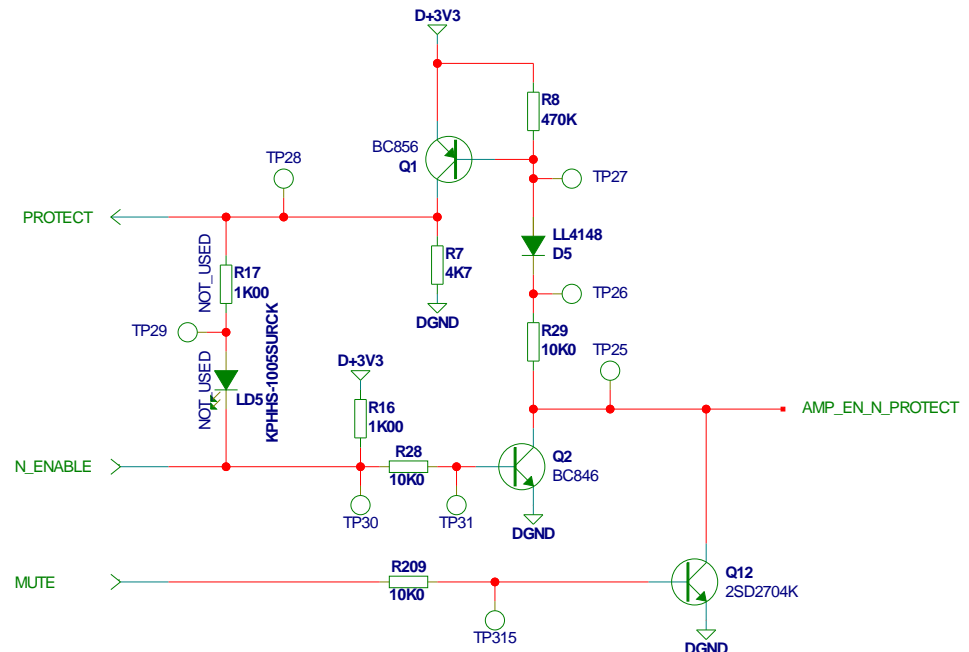
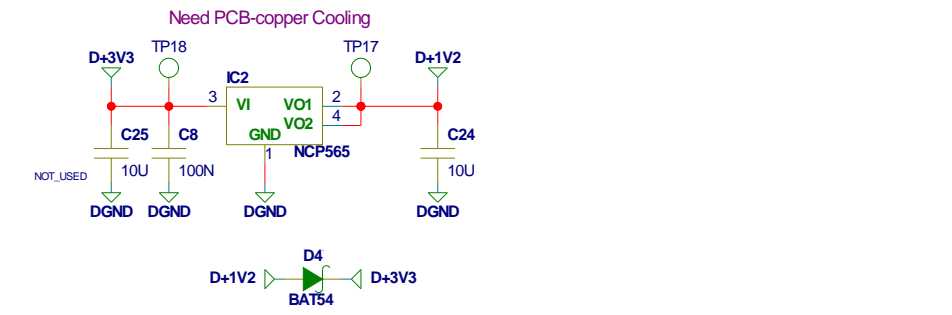
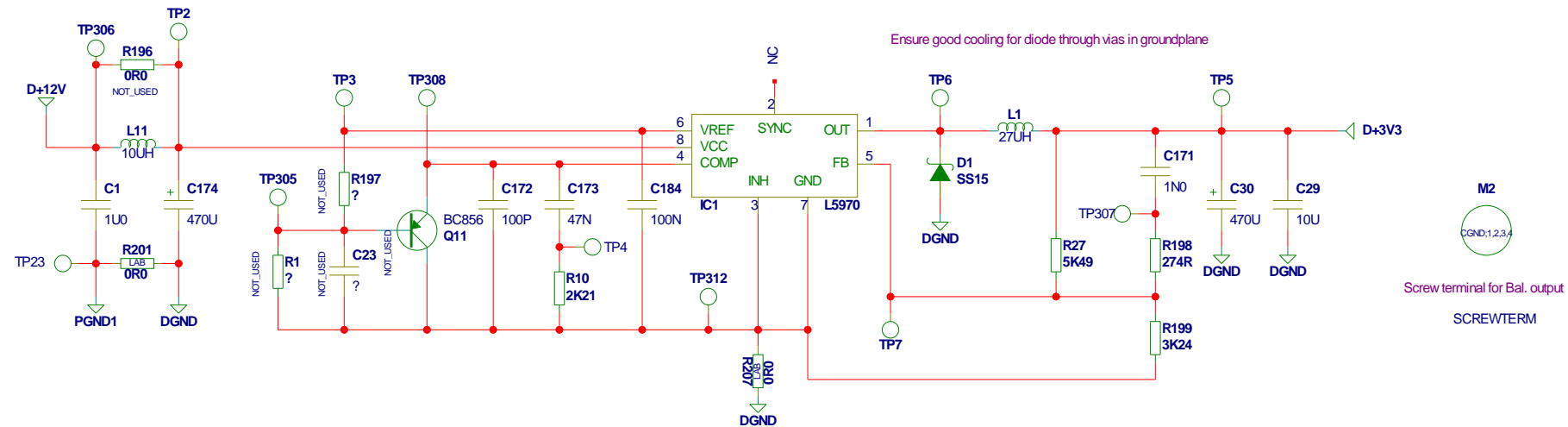


<b>TC Electronic A/S</b> Title: MAINBOARD Number: P18311 Date: 3-22-2010_11:44		Designer: MCLHOKEWAN Module title: DSP SECTION	
		Revision: DAB Filename: DSP725	Previous page: 1 Page / of: 4/6



Alle LED (rød Grøn & orange 5 mA ok!)  
 Grøn Vdrop @5 ma = 1,95V  
 Rød Vdrop @5 ma = 1,93V  
 Orange Vdrop @5 ma = 1,86V

TC Electronic A/S		Designer
MCLHOKEWAN		MCLHOKEWAN
Title	Module title	UI
Number	Revision	Previous page
P18311	DAB	1
Date	Filename	Page / of
3-22-2010_11:44	UI	5 / 6



<b>TC Electronic A/S</b>		Designer MCLHOKEWAN
Title MAINBOARD	Module title SUPPLY SECTION	Previous page 1
Number P18311	Revision DAB	Date 3-22-2010_12:57
Date 3-22-2010_12:57	Filename SUPPLY	Page / of 6 / 6