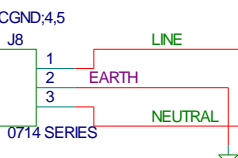
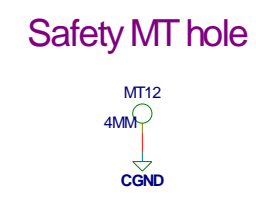
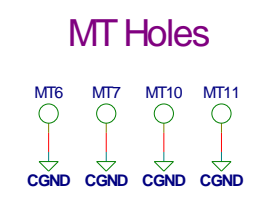


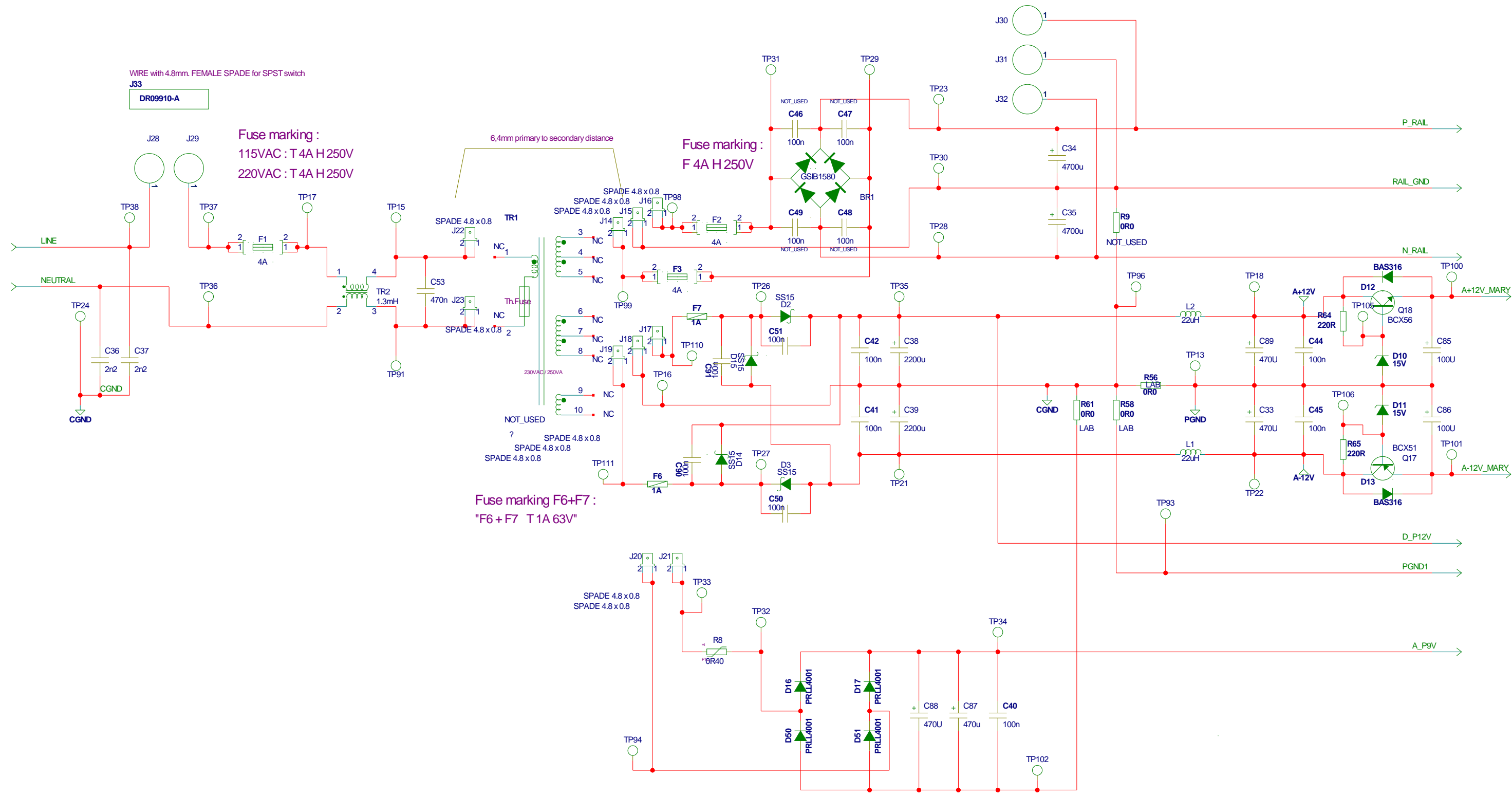
115 / 230VAC - 50/60Hz



M1
 P18411-C



TC Electronic A/S		Designer KEWANLHO
Title IDA POWER MODULE		Module title TOP LEVEL
Number P18411	Revision CAE	Previous page XX
Date 4-7-2010_12:12	Filename P18411-C	Page / of 1 / 4

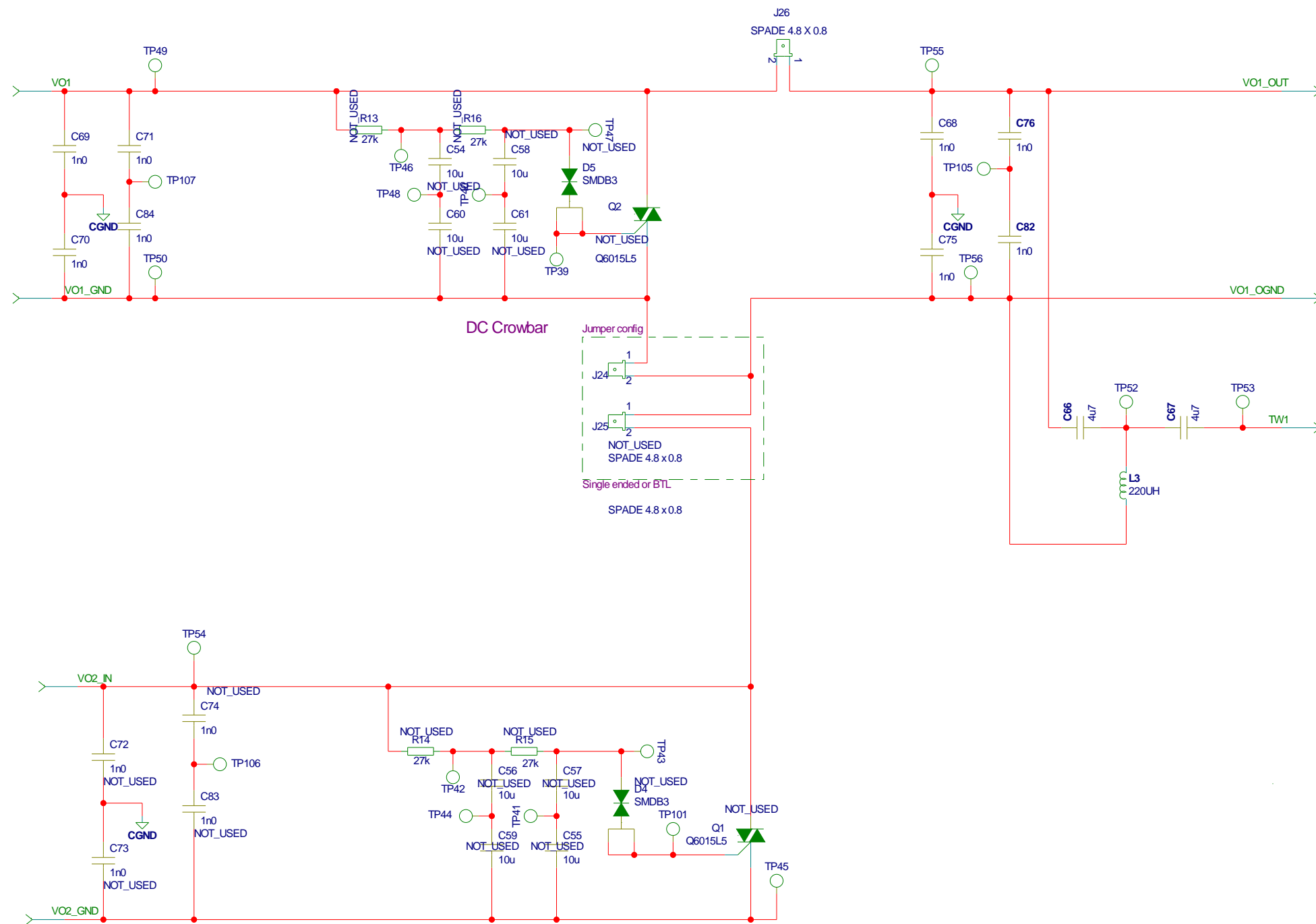


WIRE with 4.8mm. FEMALE SPADE for SPST switch
J33
DR09910-A

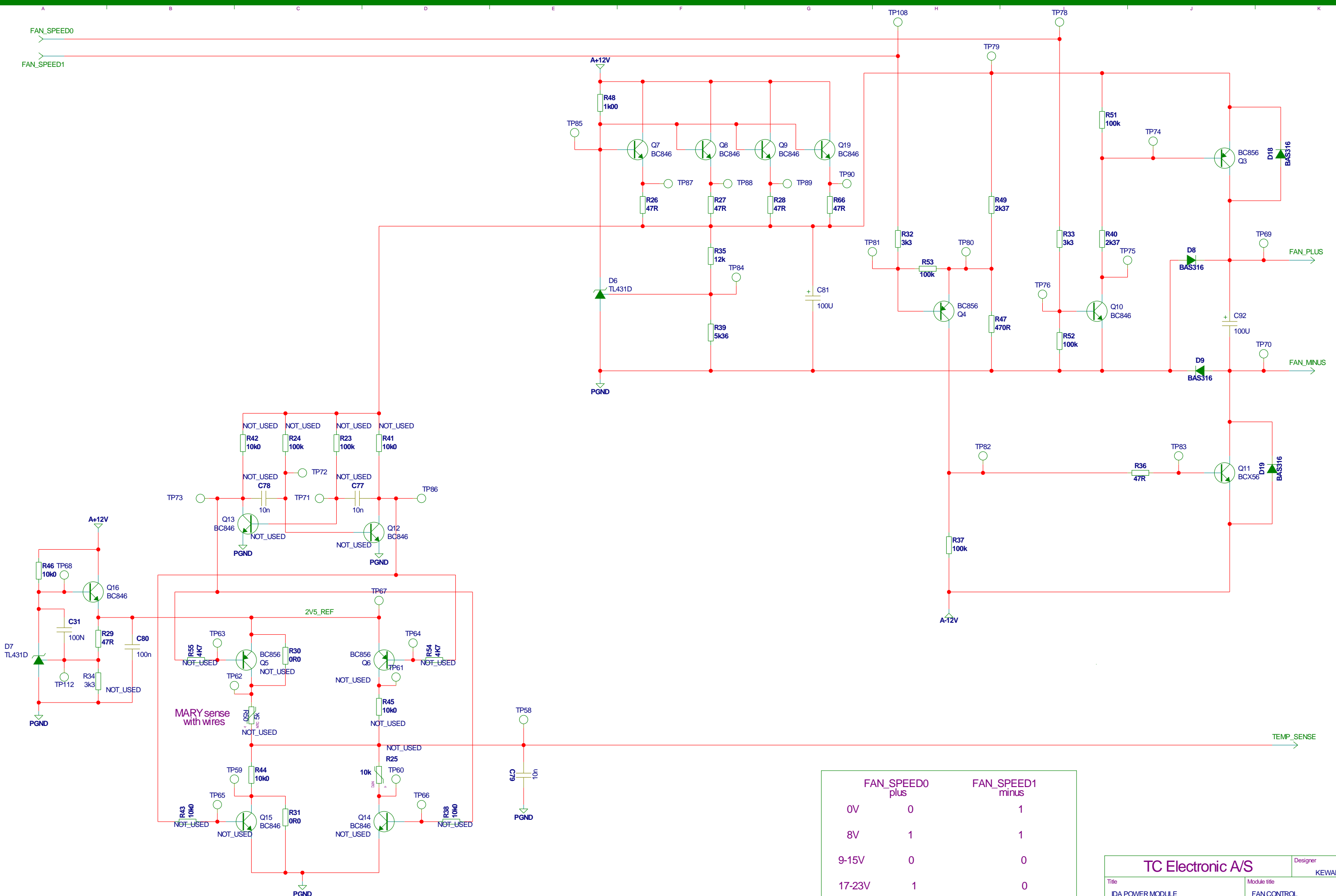
Fuse marking :
 115VAC : T 4A H 250V
 220VAC : T 4A H 250V

Fuse marking :
 F 4A H 250V

Fuse marking F6+F7 :
 "F6 + F7 T 1A 63V"



TC Electronic A/S		Designer KEWAN\LHO
Title IDA POWER MODULE		Module title OUTPUT BUFFER
Number P18411	Revision CAE	Previous page 2
Date 4-7-2010_12:12	Filename OUTPUT_BUFFER	Page / of 3 / 4



FAN_SPEED0	plus	FAN_SPEED1	minus
0V	0	1	
8V	1	1	
9-15V	0	0	
17-23V	1	0	