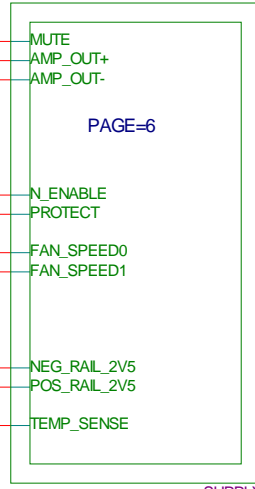
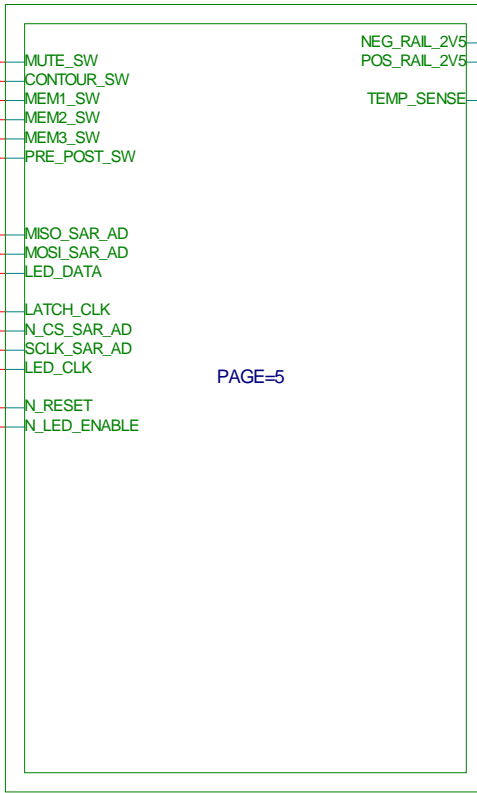
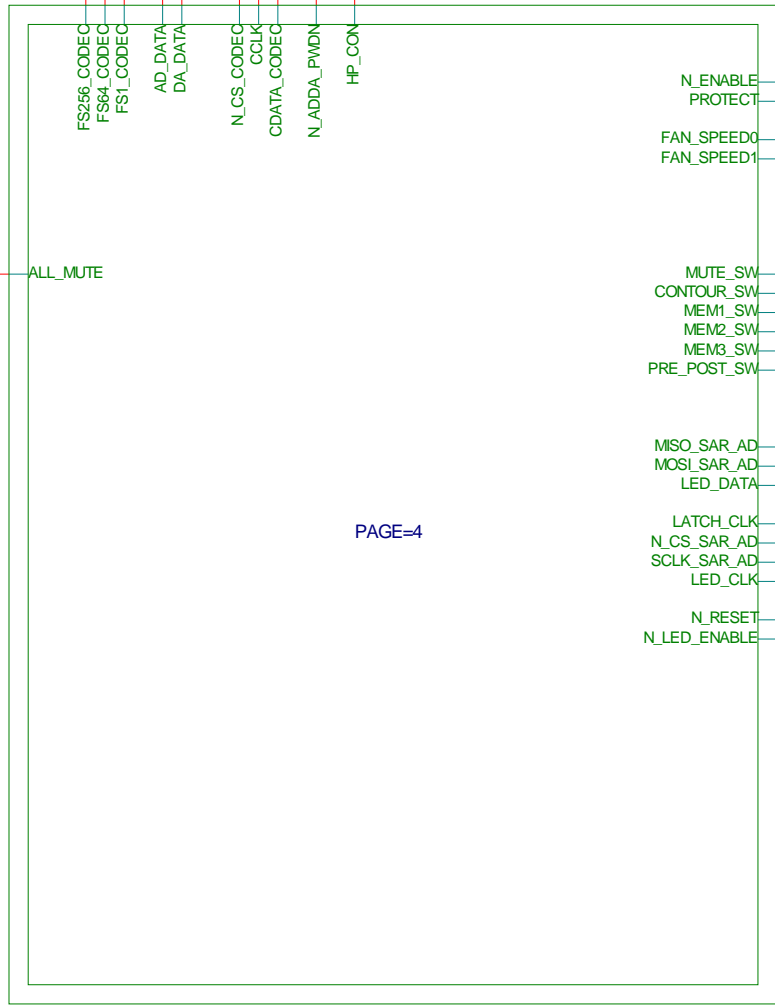
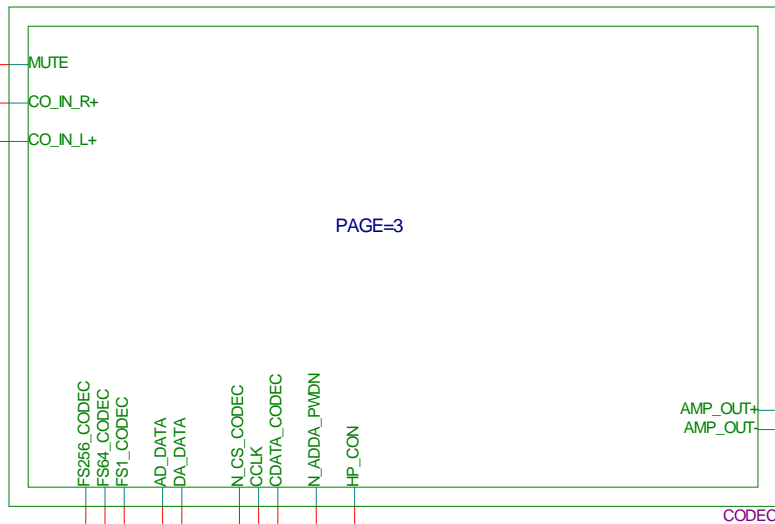
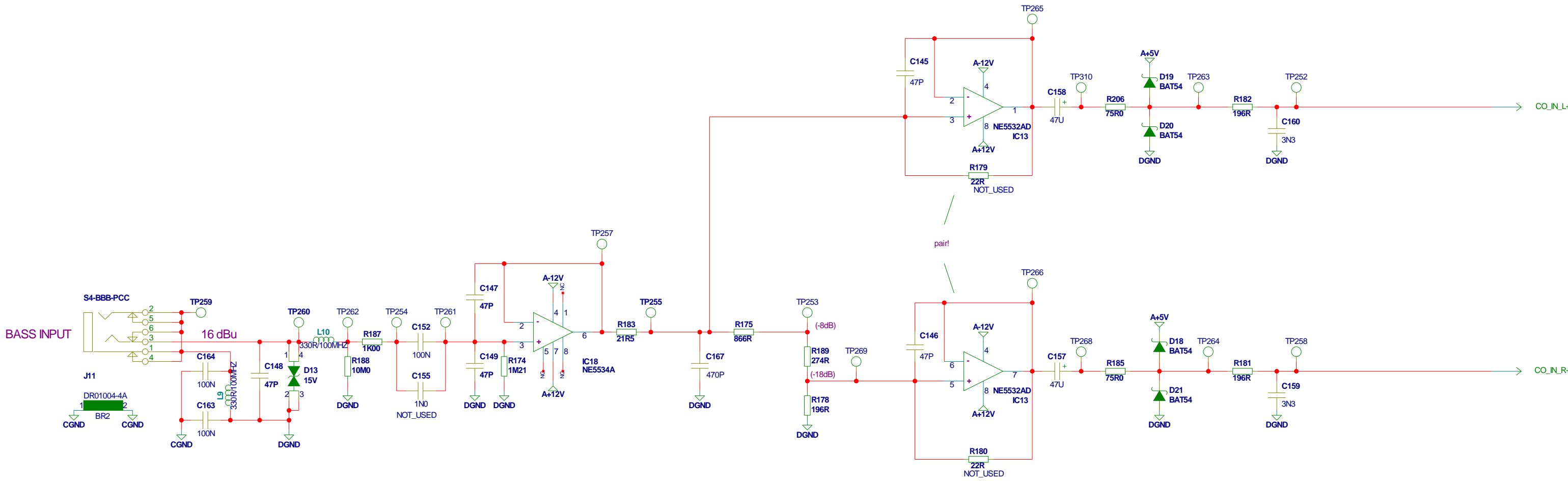


ANALOG_INPUT

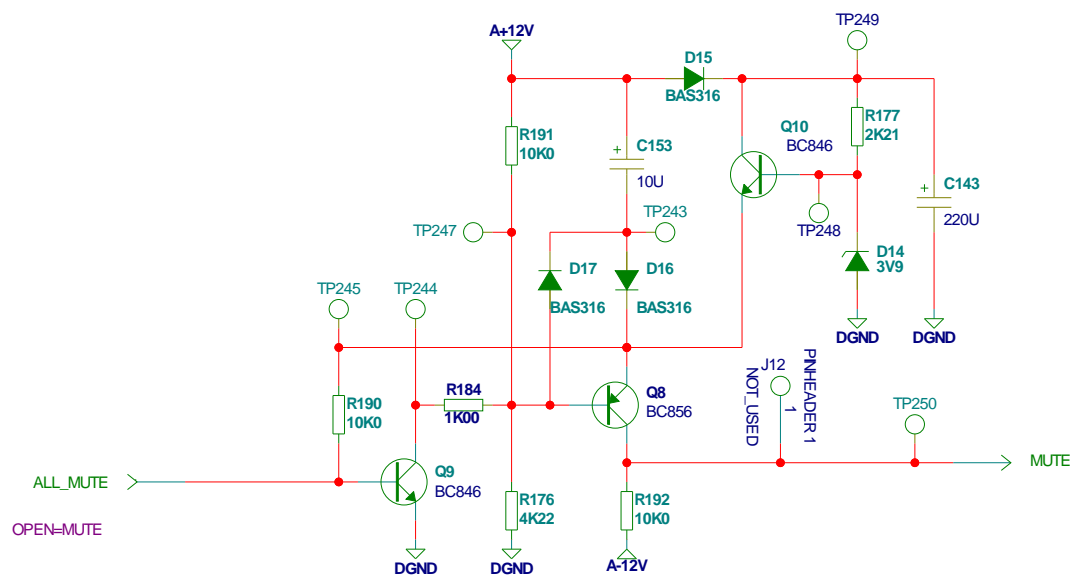


M1
P18311-D

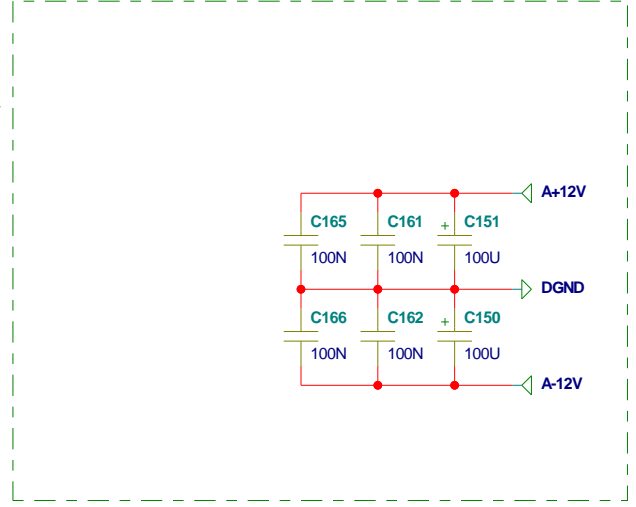
TC Electronic A/S		Designer
MAINBOARD		MC/LHOKEWAN
Module title		TOP SHEET
Number	Revision	Previous page
P18311	DBA	XX
Date	Filename	Page / of
6-10-2010 14:32	P18311_DB	1 / 6



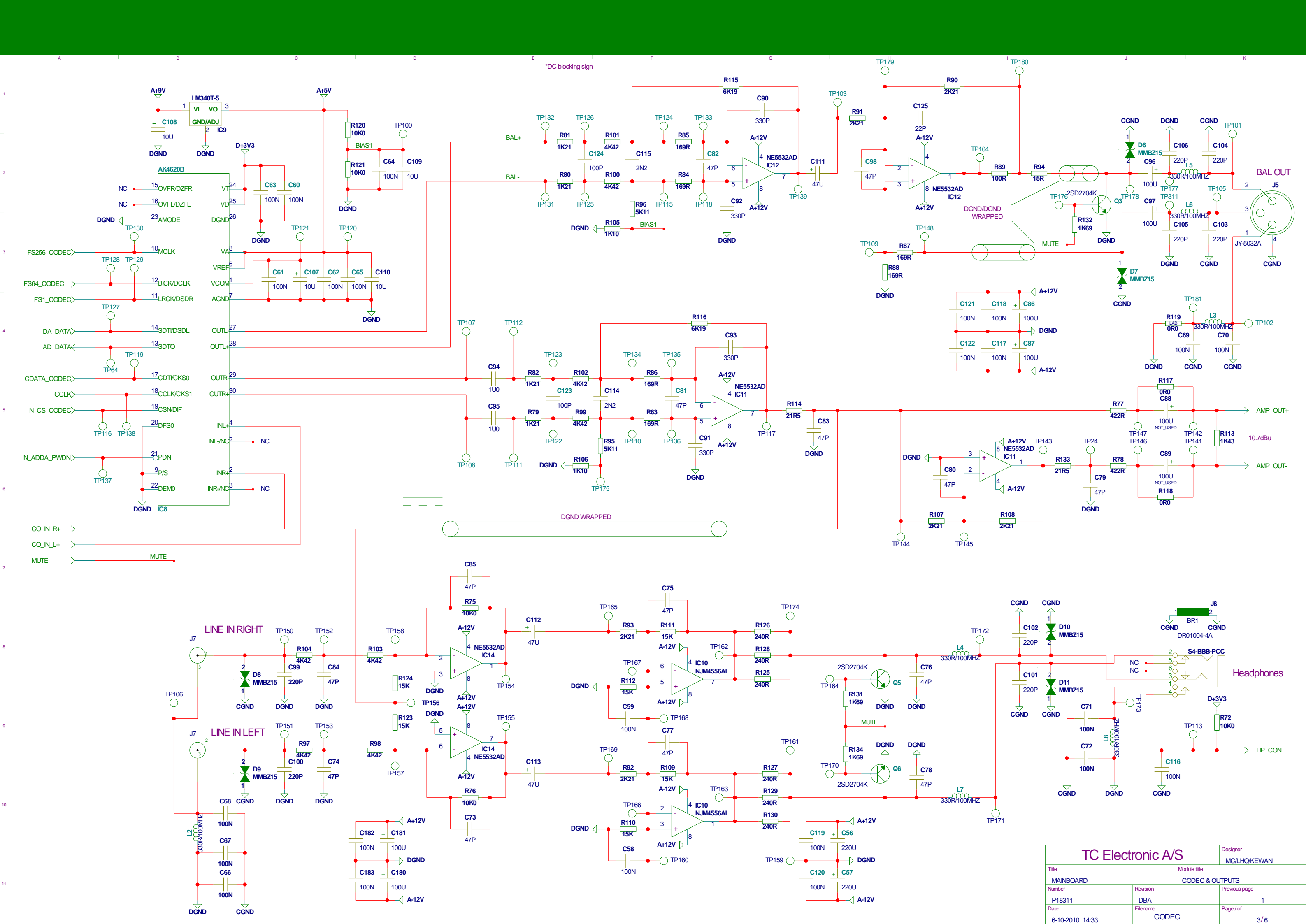
MUTE CIRCUIT



DECOUPLING

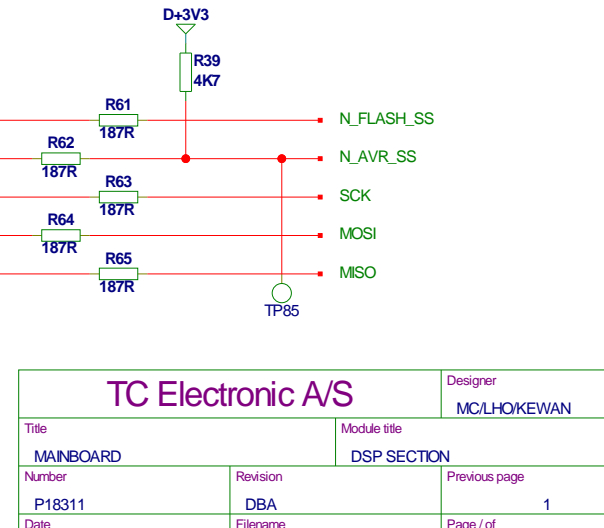
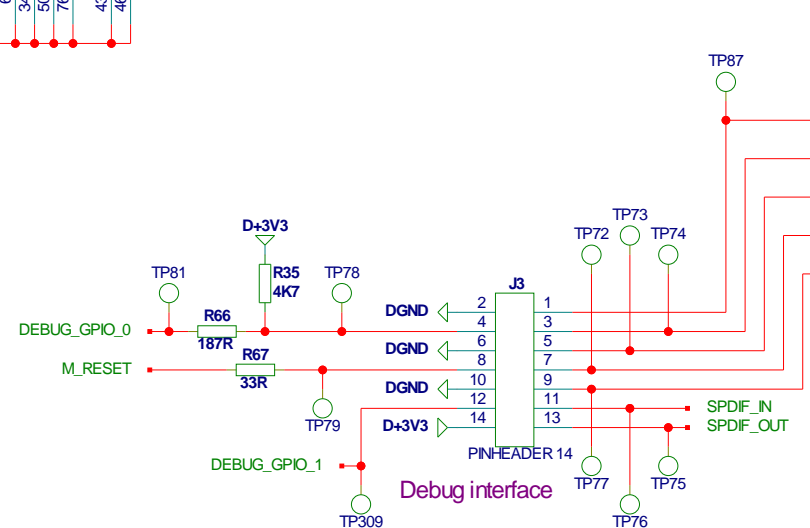
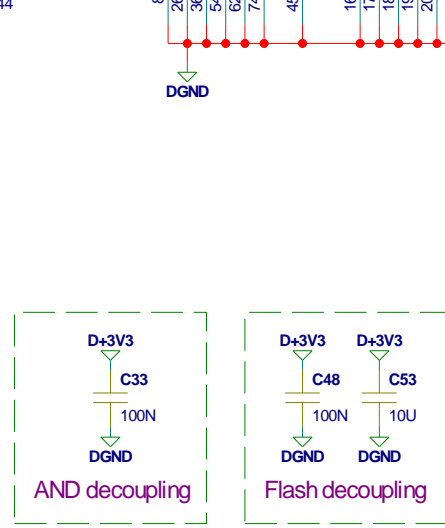
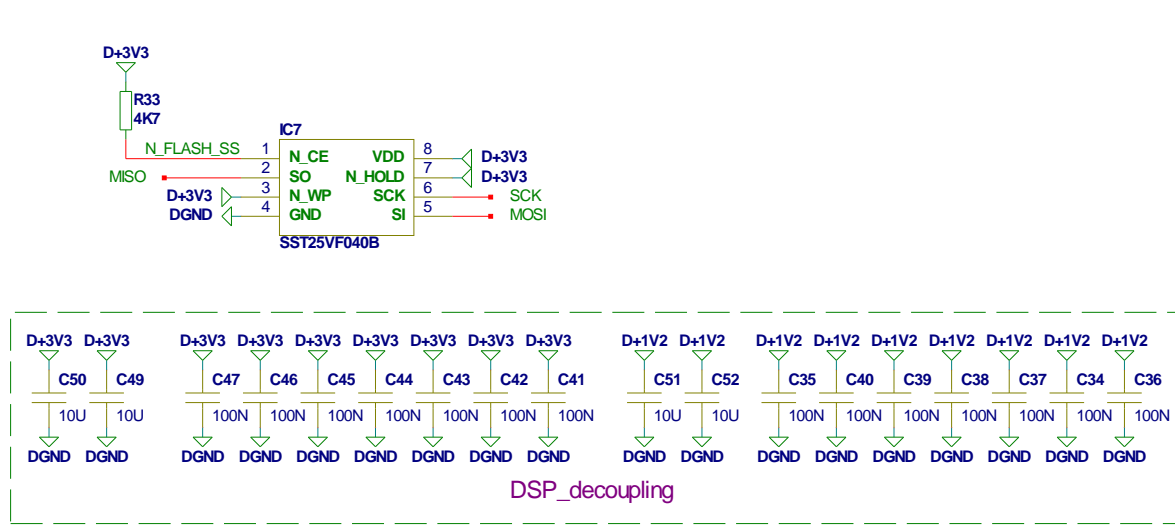
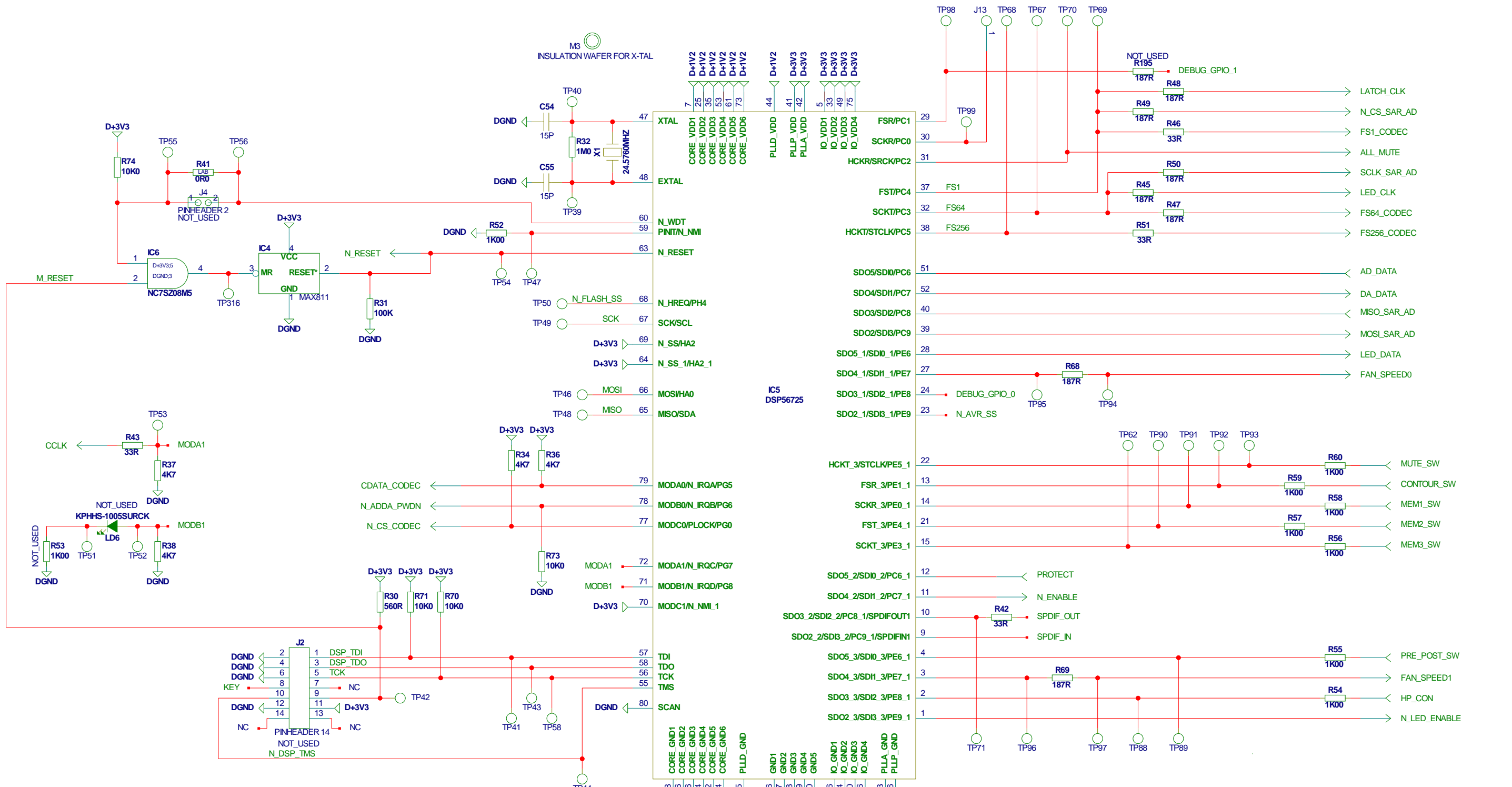


TC Electronic A/S		Designer MCL/HOIKEWAN
Title MAINBOARD		Module title ANALOG INPUT
Number P18311	Revision DBA	Previous page 1
Date 1-30-2004_15:01	Filename TC_HEADER	Page / of 2 / 6

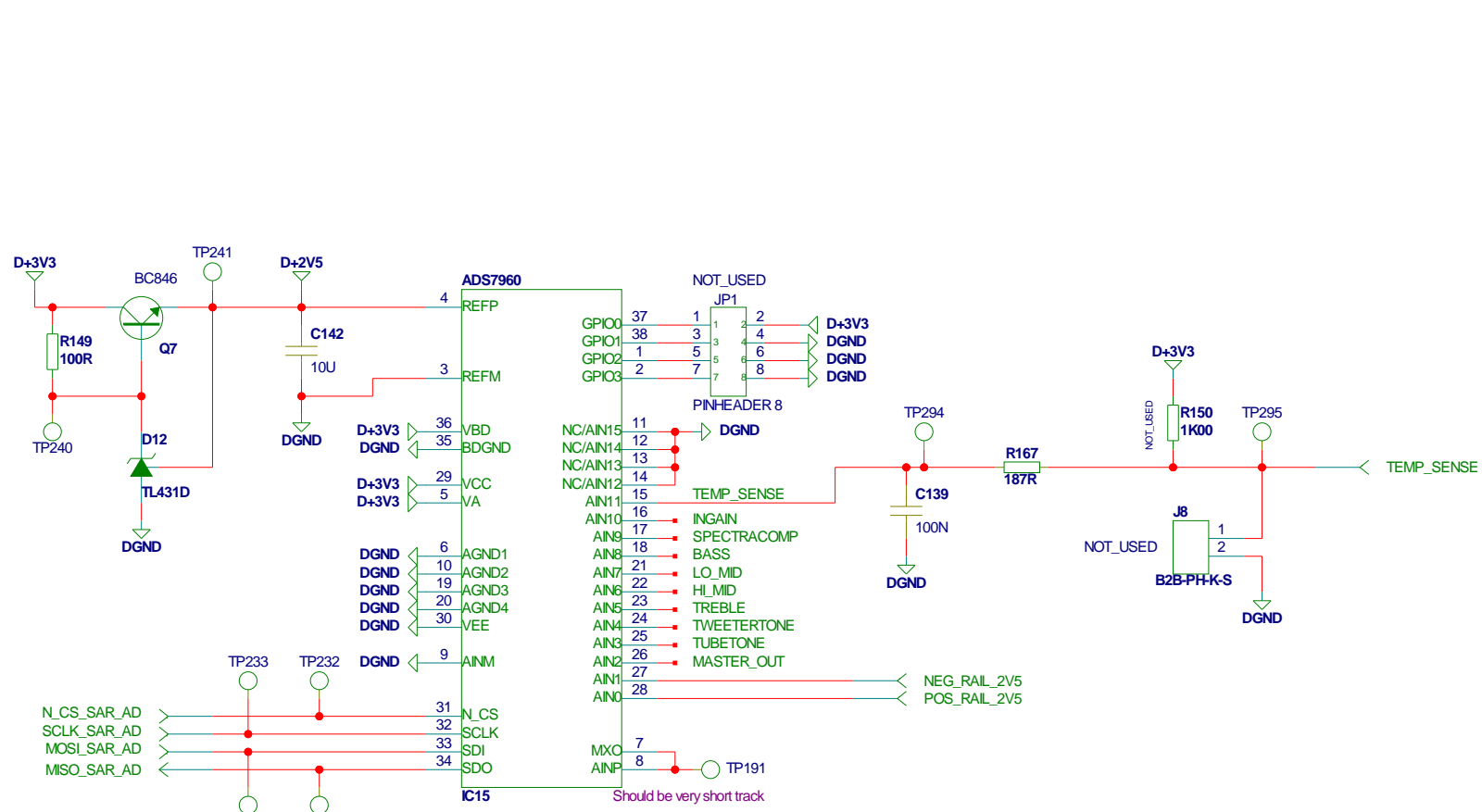


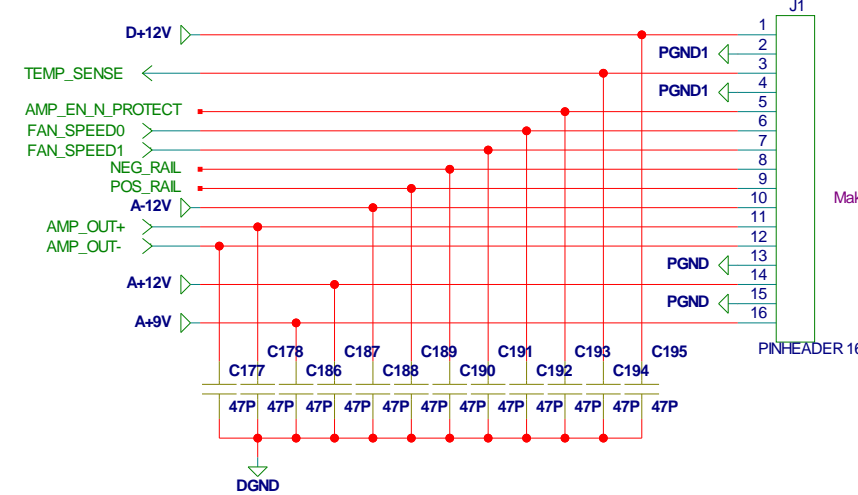
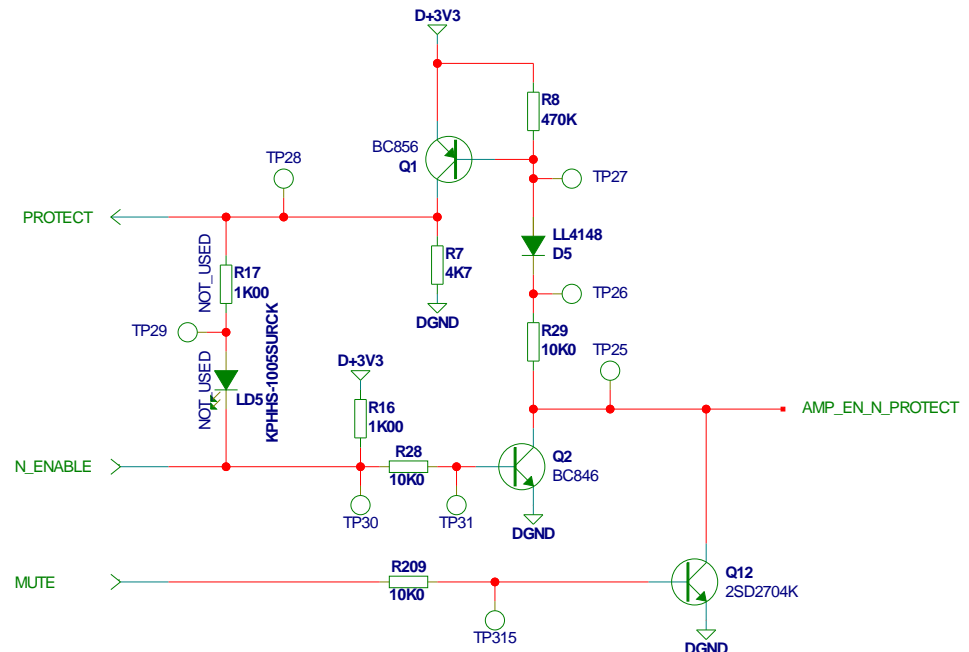
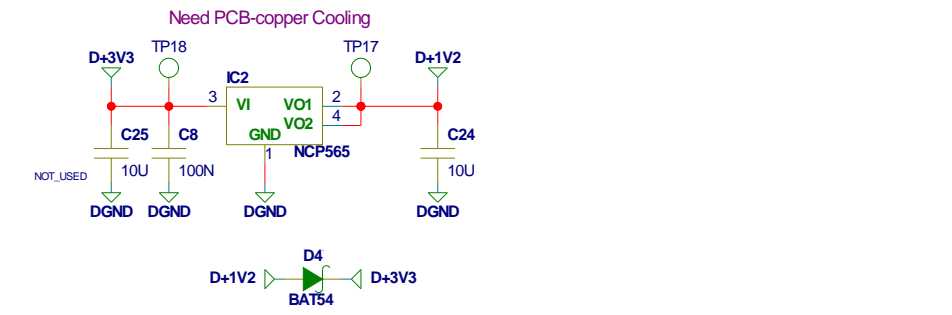
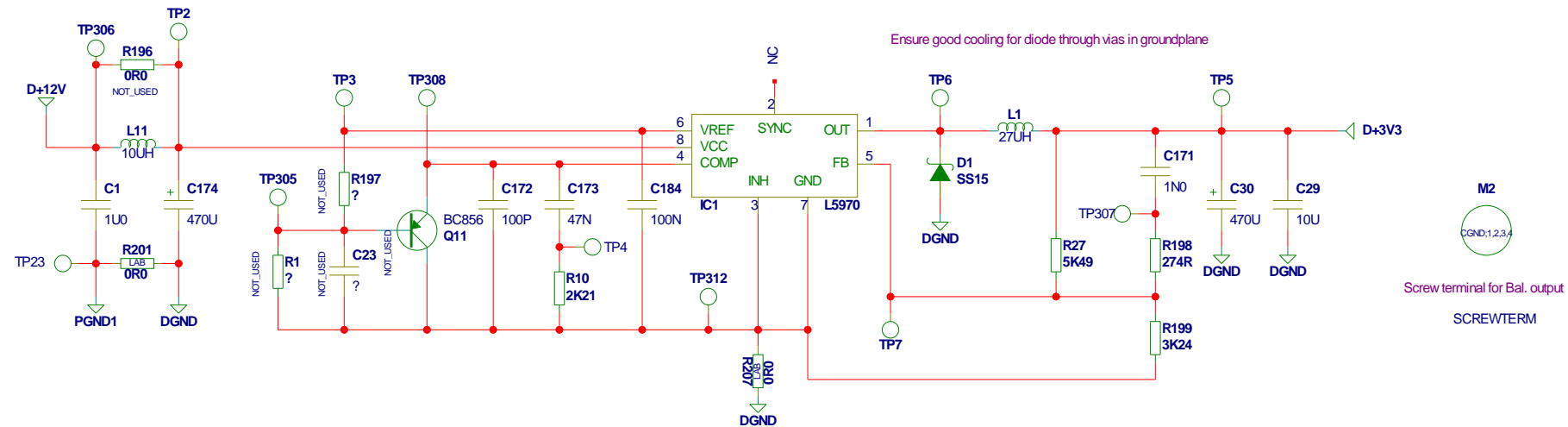
*DC blocking sign

TC Electronic A/S		Designer MCLHOKEWAN
Title MAINBOARD	Module title CODEC & OUTPUTS	Previous page 1
Number P18311	Revision DBA	Page / of 1
Date 6-10-2010_14:33	Filename CODEC	3 / 6

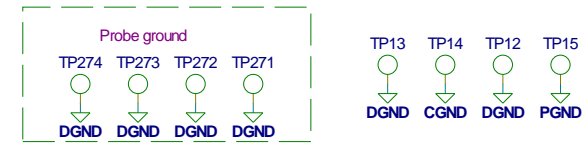
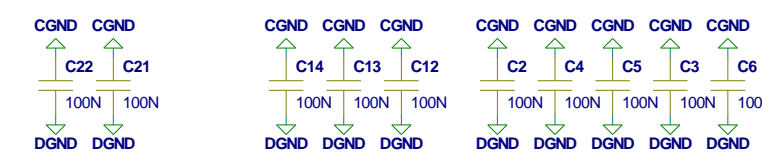
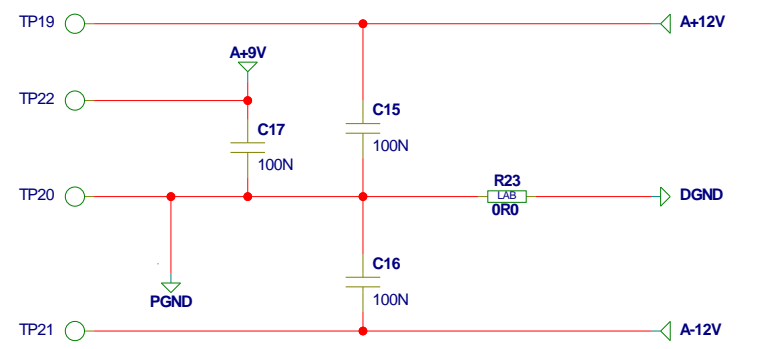
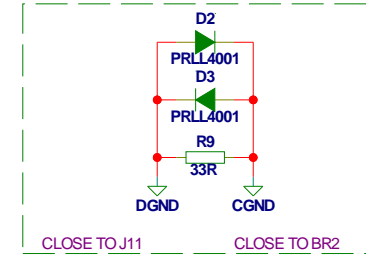
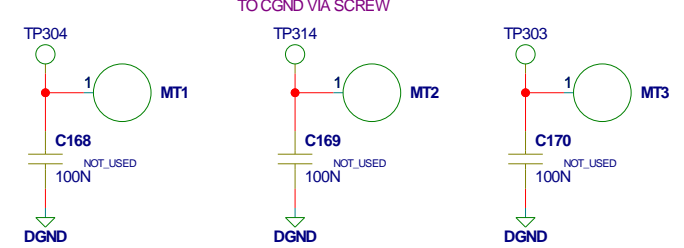
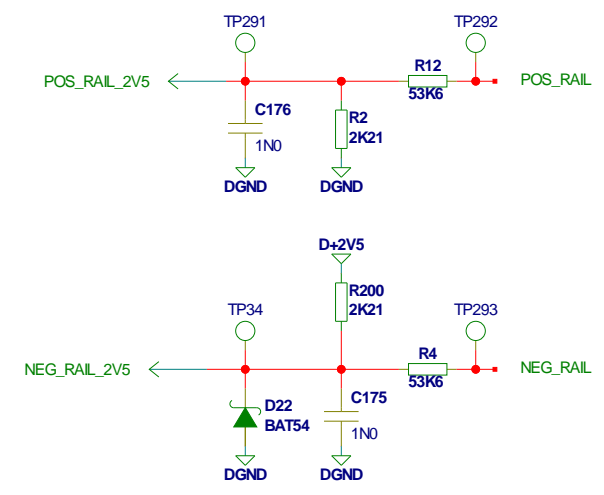


TC Electronic A/S Title: MAINBOARD Number: P18311 Date: 6-10-2010_15:44		Designer: MCLHOKEWAN Module title: DSP SECTION	
		Revision: DBA Filename: DSP725	Previous page: 1 Page / of: 4/6





Make space for glue on PCB



TC Electronic A/S		Designer MCLHOKEWAN
Title MAINBOARD		Module title SUPPLY SECTION
Number P18311	Revision DBA	Previous page 1
Date 6-10-2010_14:34	Filename SUPPLY	Page / of 6 / 6