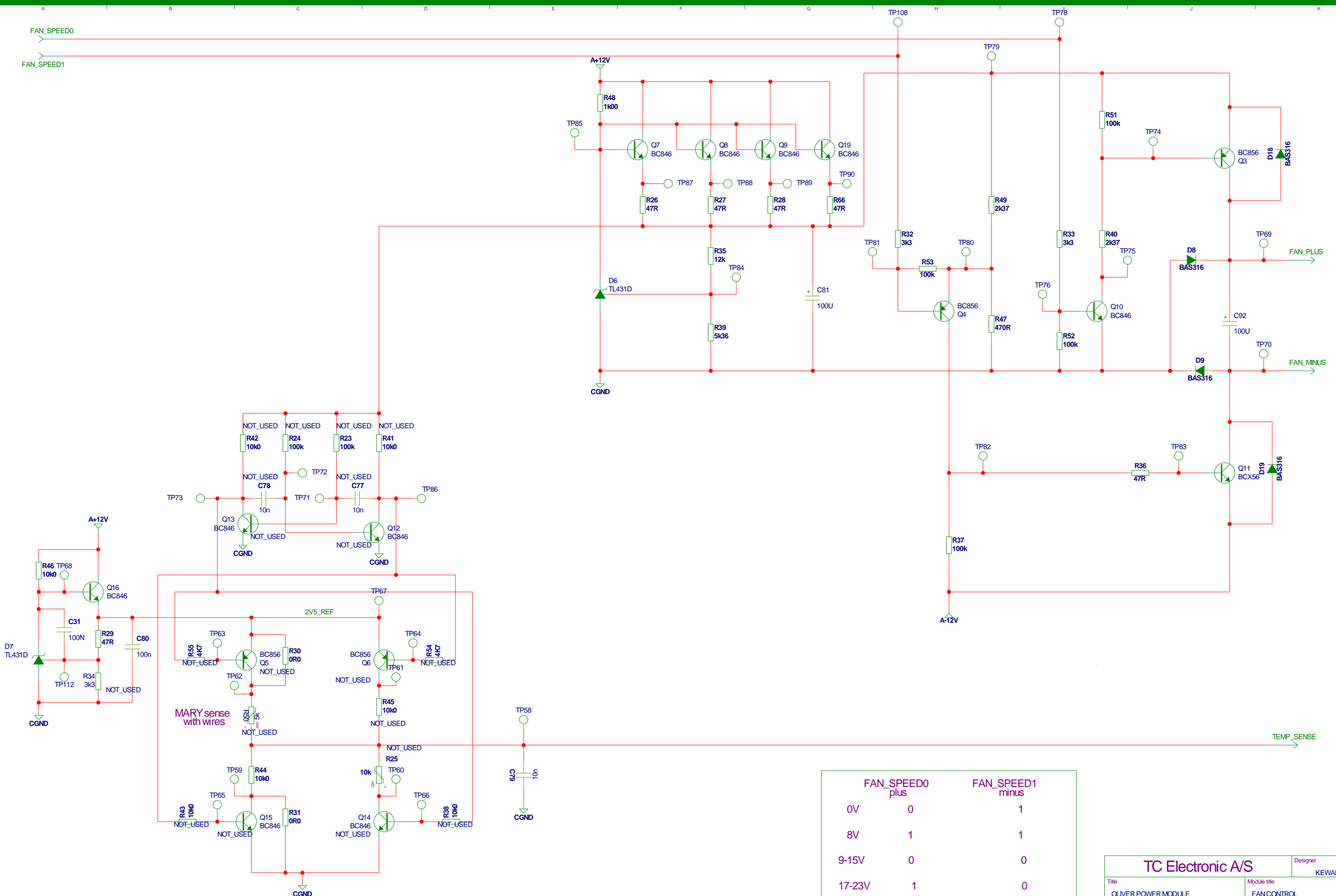
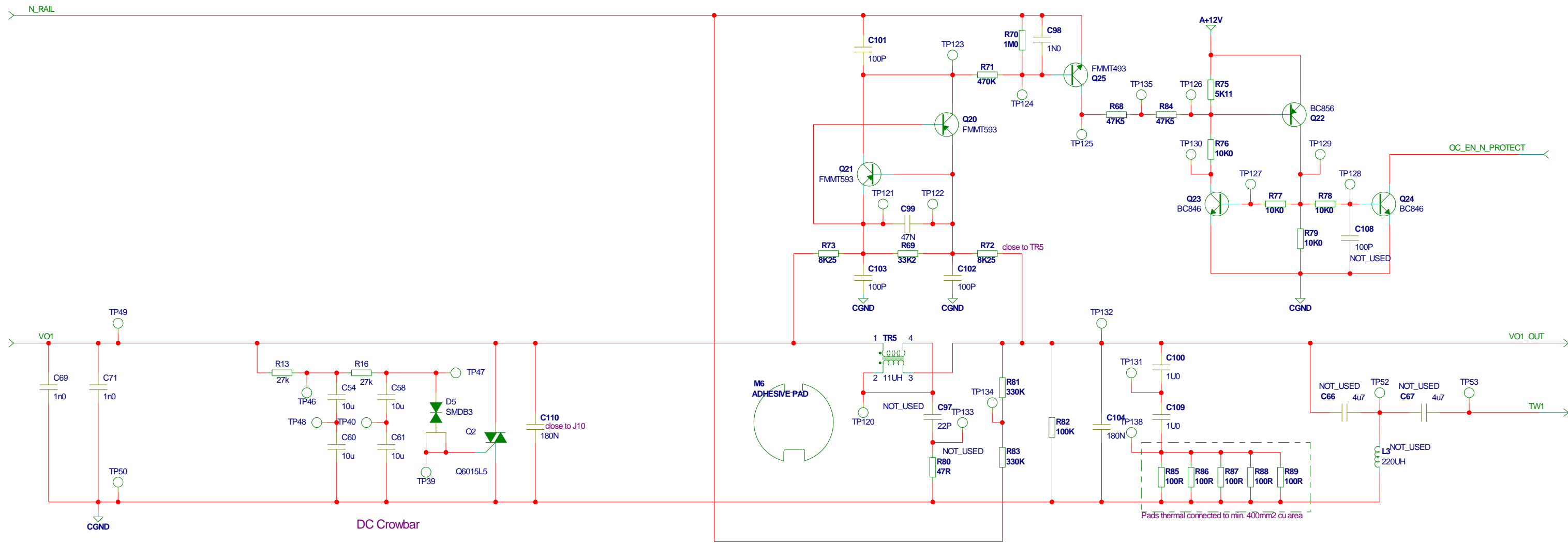


TC Electronic A/S		Designer
Title	OLIVER POWER MODULE	KEWANLHO
Number	P18412	Module title
Date	7-12-2010_15:07	TOP LEVEL
Revision	BAA	Previous page
Filename	P18412-B	N/A
		Page / of
		1 / 4

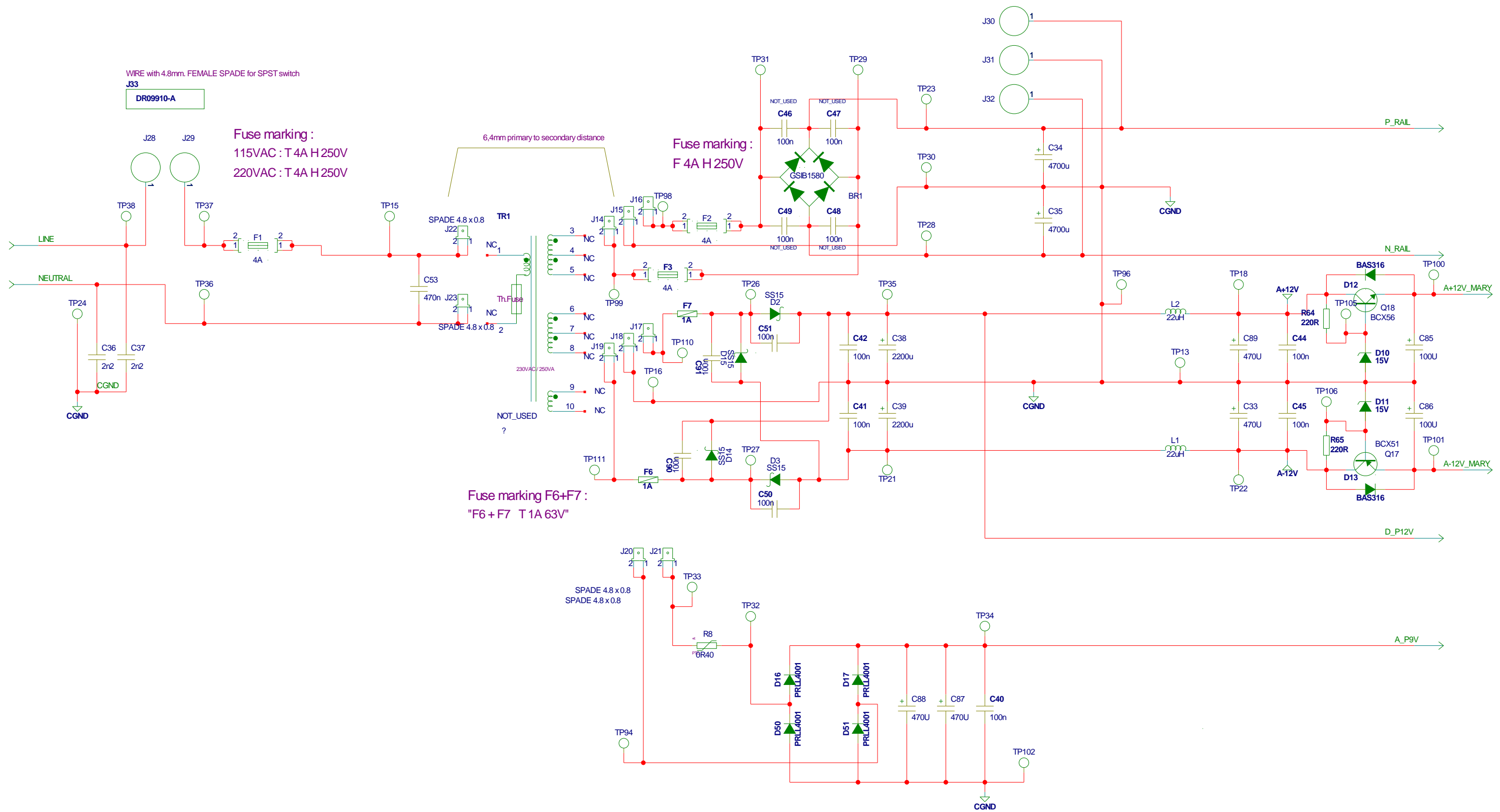


	FAN_SPEED0 plus	FAN_SPEED1 minus
0V	0	1
8V	1	1
9-15V	0	0
17-23V	1	0

<b>TC Electronic A/S</b>		Designer KEWAN/LHO
Title OLIVER POWER MODULE	Module title FAN CONTROL	
Number P18412	Revision BAA	Previous page 3
Date 7-2-2010_12:32	Filename FAN_CONTROL	Page / of 4 / 4



<b>TC Electronic A/S</b>		Designer KEWAN\LHO
Title OLIVER POWER MODULE		Module title OUTPUT BUFFER
Number P18412	Revision BAA	Previous page 2
Date 7-9-2010_11:40	Filename OUTPUT_BUFFER	Page / of 3 / 4



TC Electronic A/S		Designer
OLIVER POWER MODULE		KEWANLHO
Number	Revision	Previous page
P18412	BAA	1
Date	Filename	Page / of
7-2-2010_12:32	POWER	2 / 4