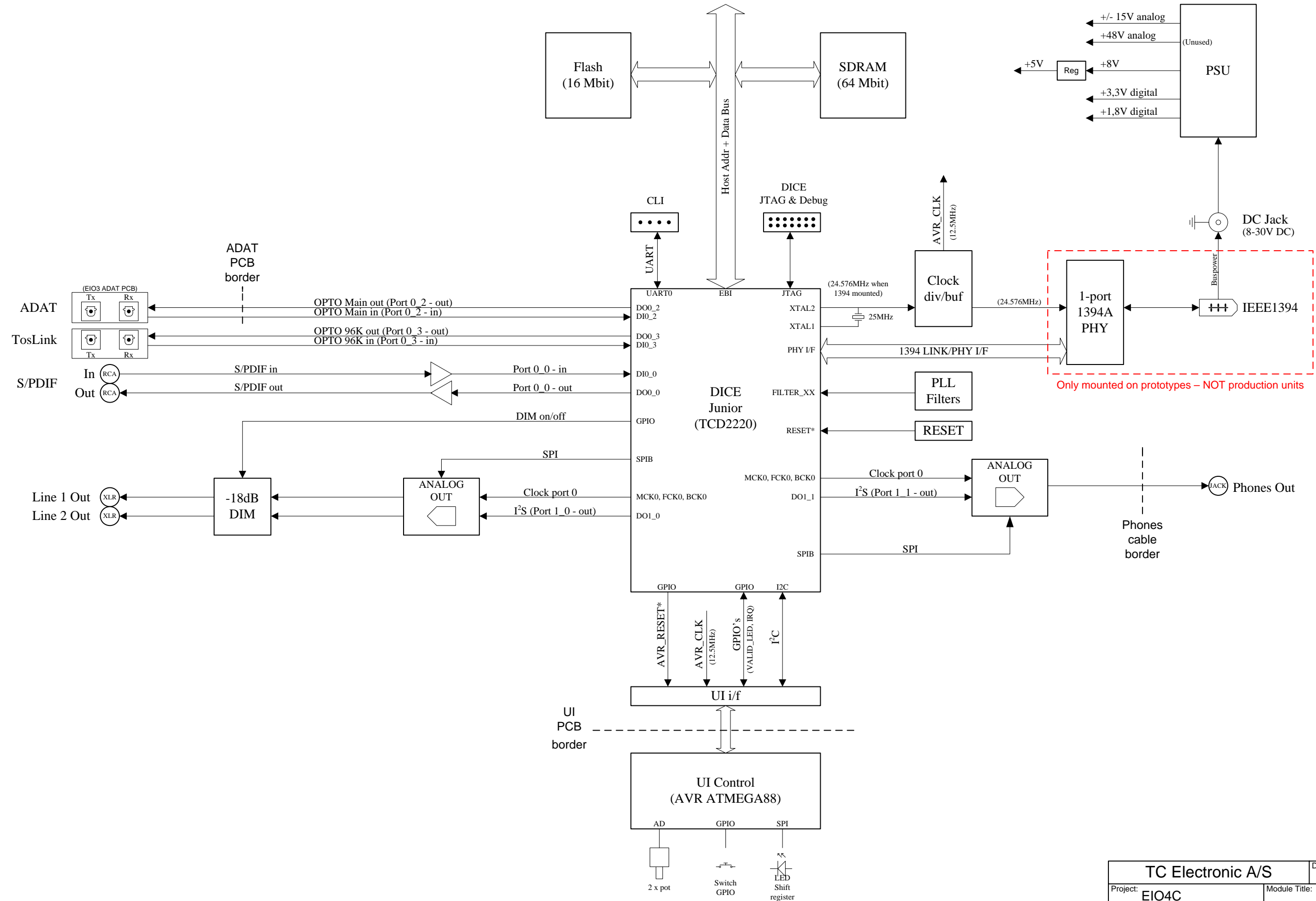


# EIO4C



Only mounted on prototypes – NOT production units

TC Electronic A/S		Designer: mfa/lho
Project: EIO4C	Module Title:	
Number: NUMBER	Revision: 0.1	Previous Page: none
Date: 08-06-2009	FileName: EIO4C	Page / of: 1 / 1