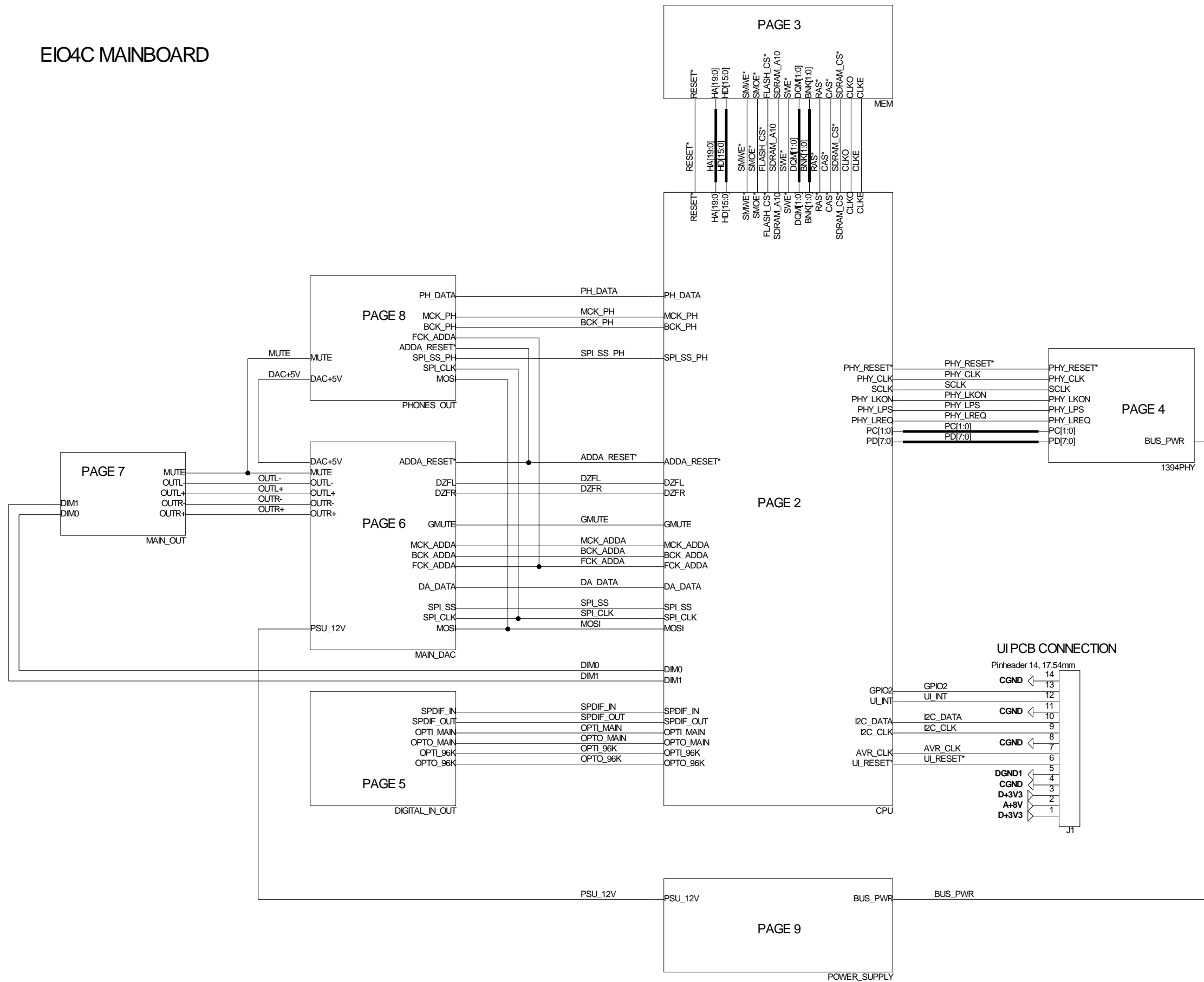
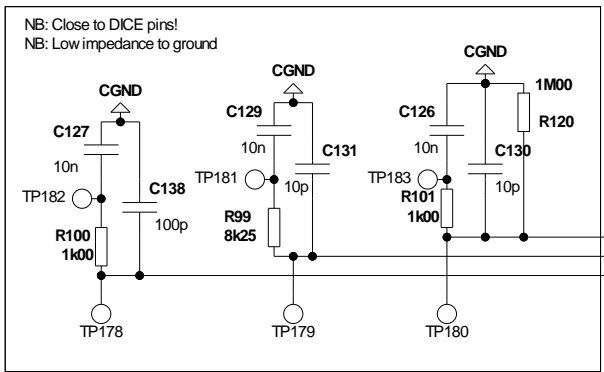
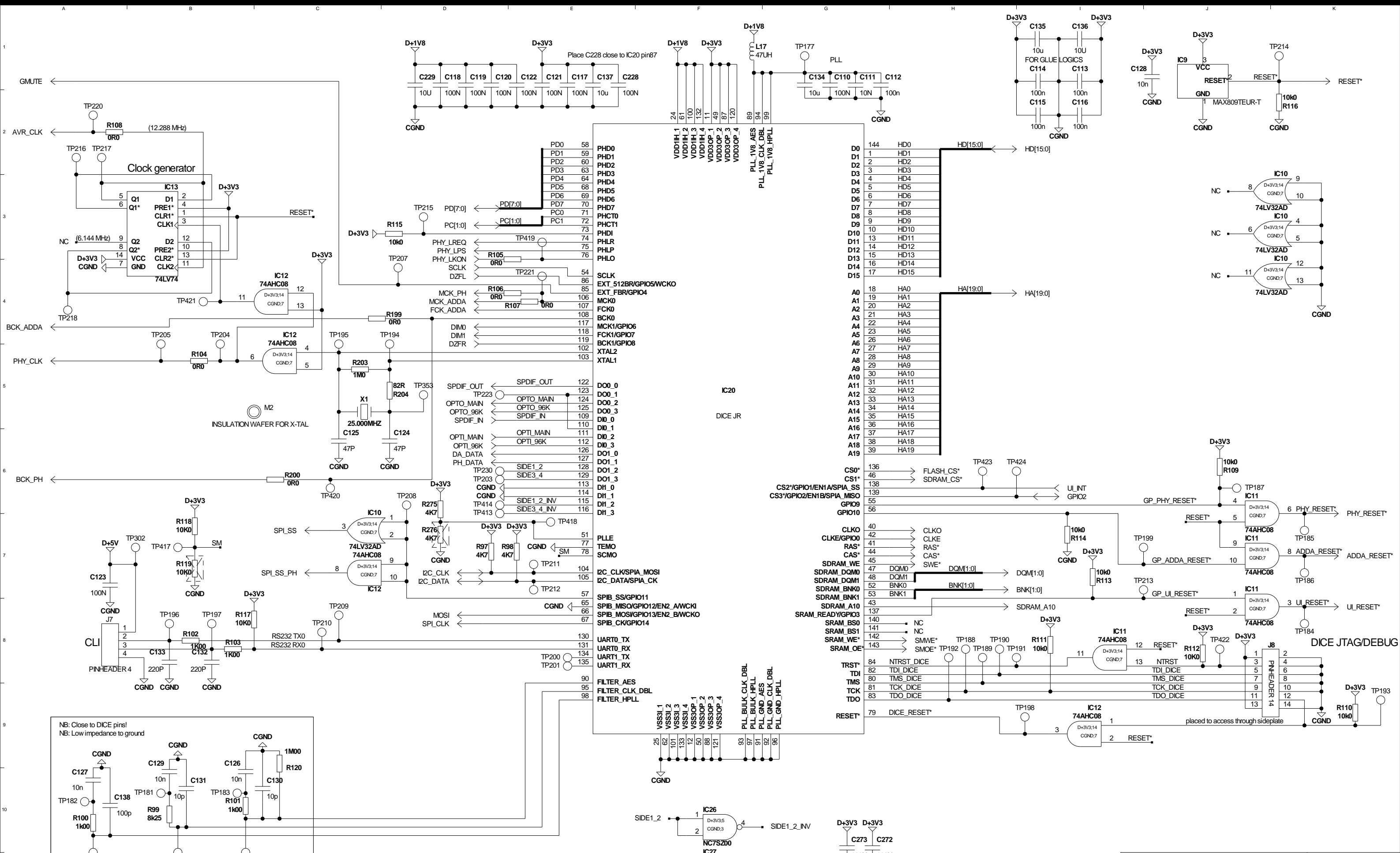


# EIO4C MAINBOARD



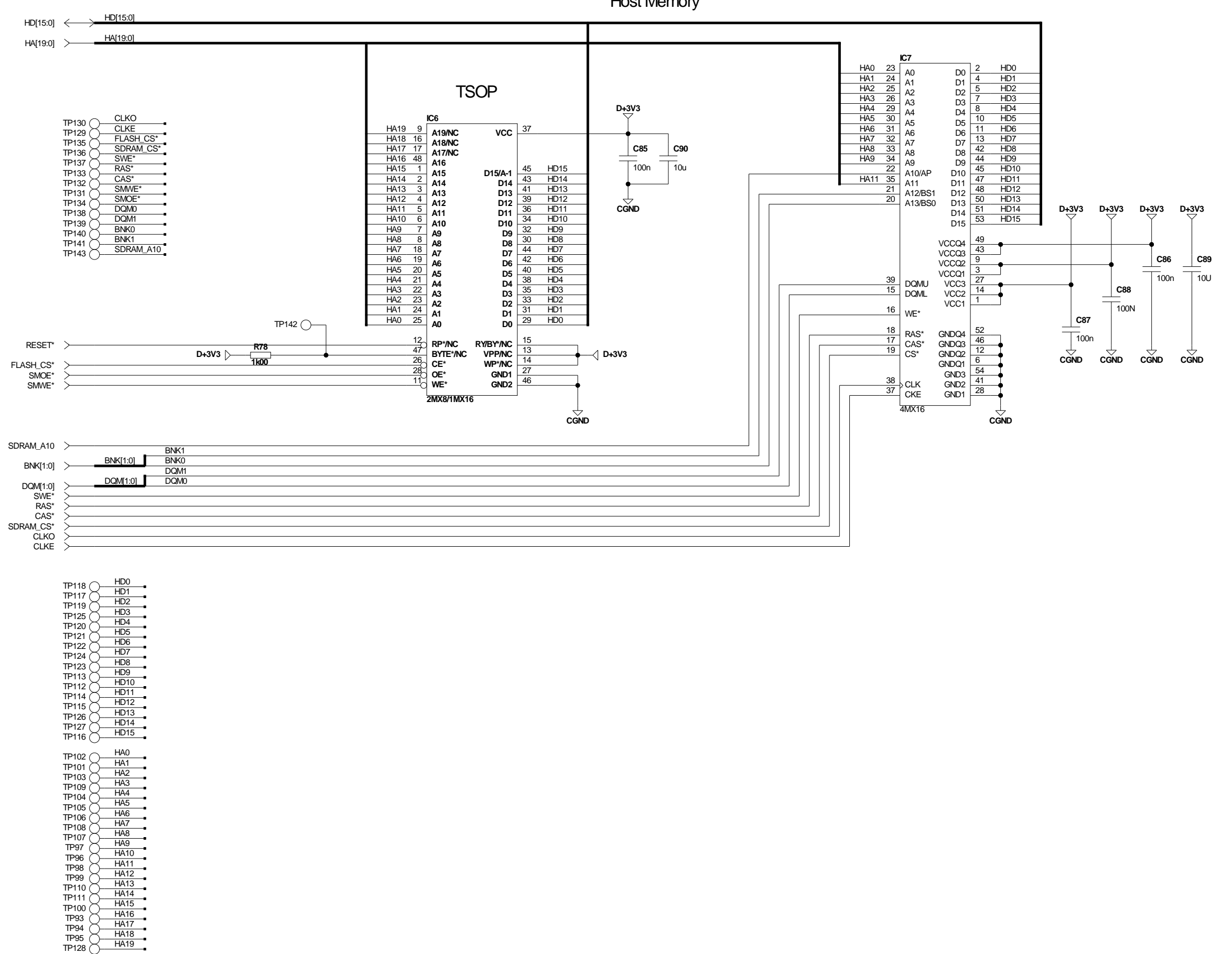
M1  
P19343-D

TC Electronic A/S		Designer
EIO4C		MFA/LHO/CGF
Title		Module title
TOP		
Number	Revision	Previous page
P19343	DBC	NONE
Date	Filename	Page / of
5-12-2009_10:01	P19343-D_P19343-DB	1 / 9

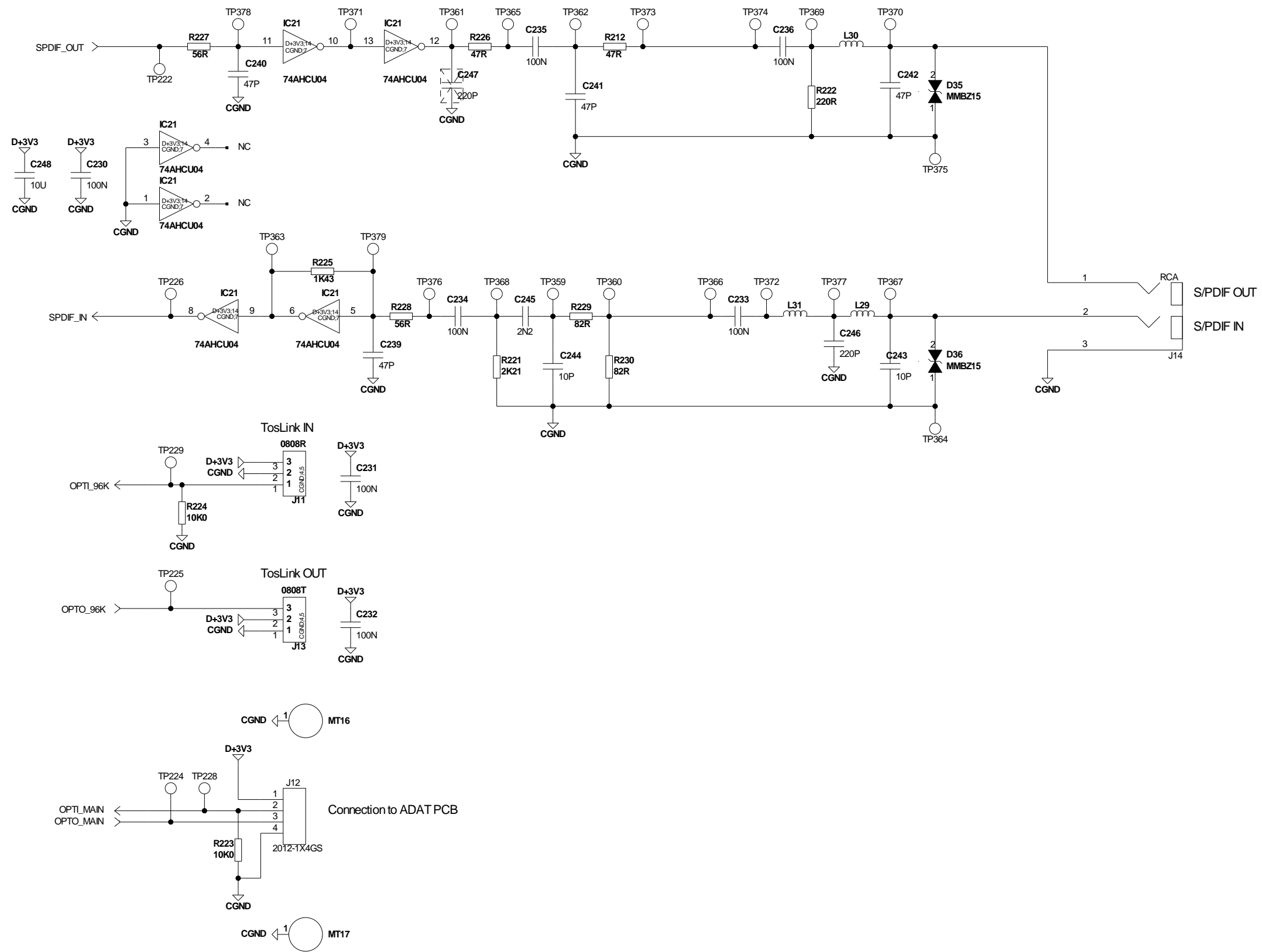


<b>TC Electronic A/S</b>		Designer
		MFA/LHO
Title	Module title	
EIO4C	CPU (DICE JR)	
Number	Revision	Previous page
P19343	DBC	1
Date	Filename	Page / of
5-12-2009_10:01	CPU_P19343-DB_1	2 / 9

# Host Memory

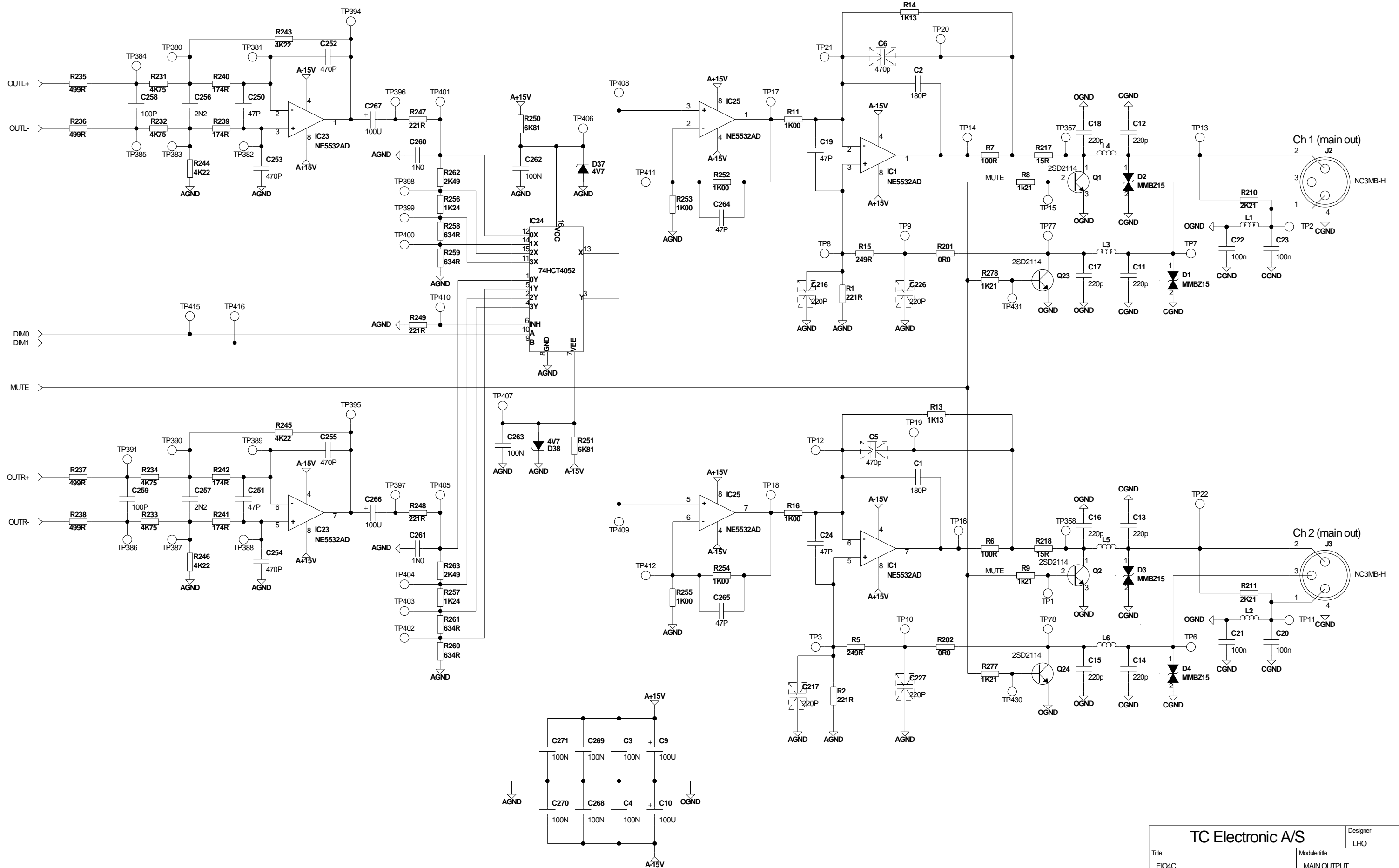




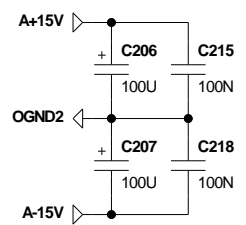
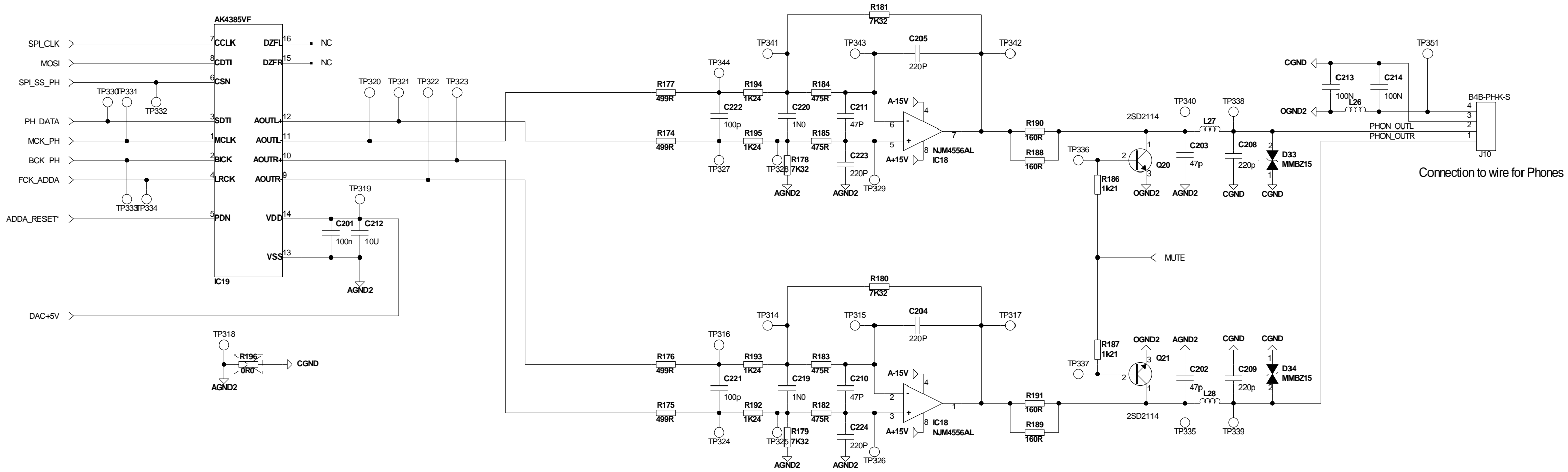


Title		Module title	
EIO4C		DIGITAL IN/OUT	
Number	Revision	Previous page	
P19343	DBC	1	
Date	Filename	Page / of	
5-12-2009_10:01	DIGITAL_IN_OUT_P19343-DB_1	5 / 9	
TC Electronic A/S			Designer MFALHOICGF



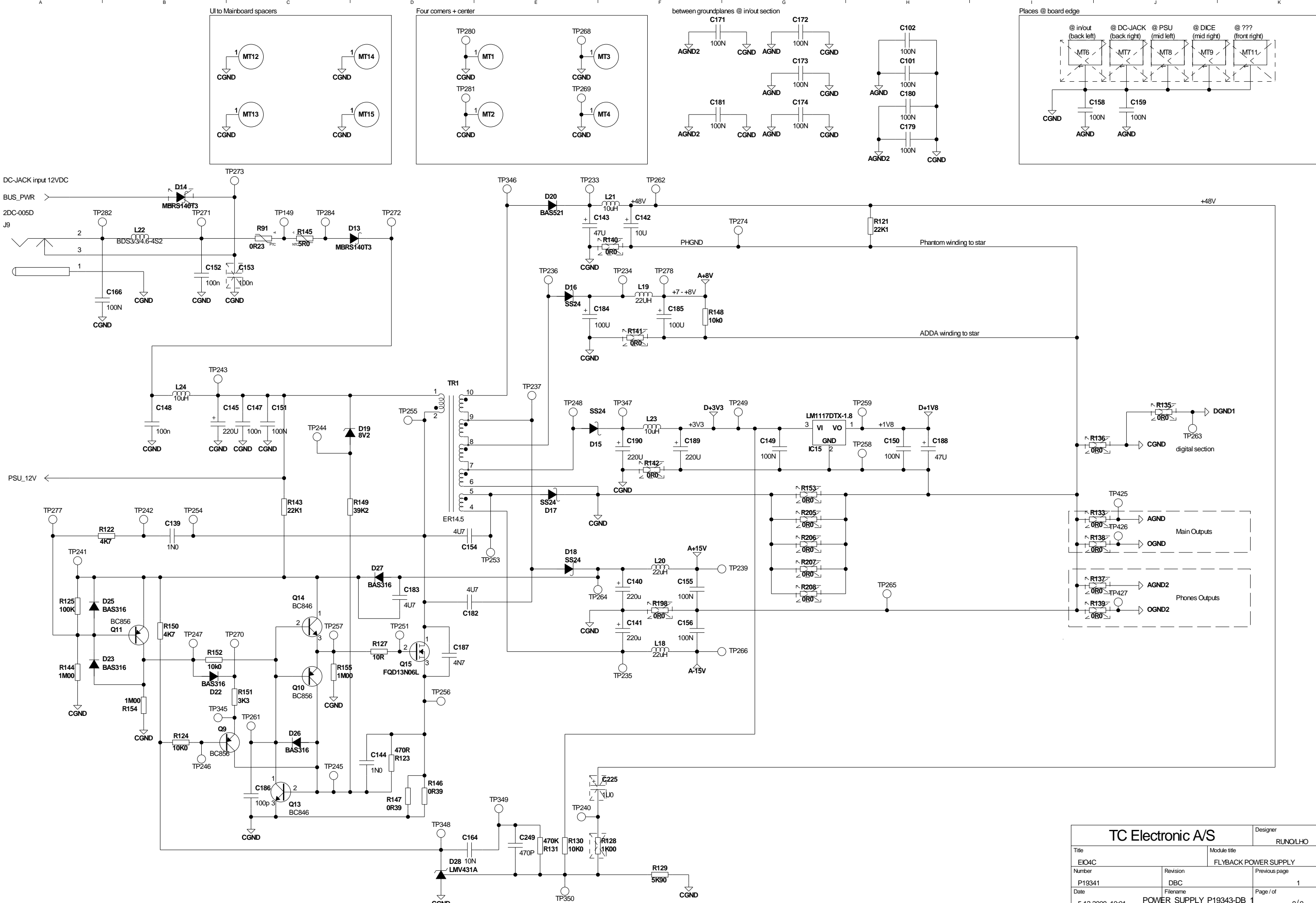


<b>TC Electronic A/S</b>		Designer LHO
Title EIO4C	Module title MAIN OUTPUT	
Number P19343	Revision DBC	Previous page 1
Date 5-12-2009_10:01	Filename MAIN_OUT_P19343-DB_1	Page / of 7 / 9



<b>TC Electronic A/S</b>		Designer LHO
Title EIO4C		Module title PHONES OUTPUT
Number P19343	Revision DBC	Previous page 1
Date 5-12-2009_10:01	Filename PHONES_OUT_P19343-DB_1	Page / of 8 / 9





<b>TC Electronic A/S</b>		Designer
		RUNOLHO
Title	Module title	
EIO4C	FLYBACK POWER SUPPLY	
Number	Revision	Previous page
P19341	DBC	1
Date	Filename	Page / of
5-12-2009_10:01	POWER_SUPPLY_P19343-DB_1	9 / 9