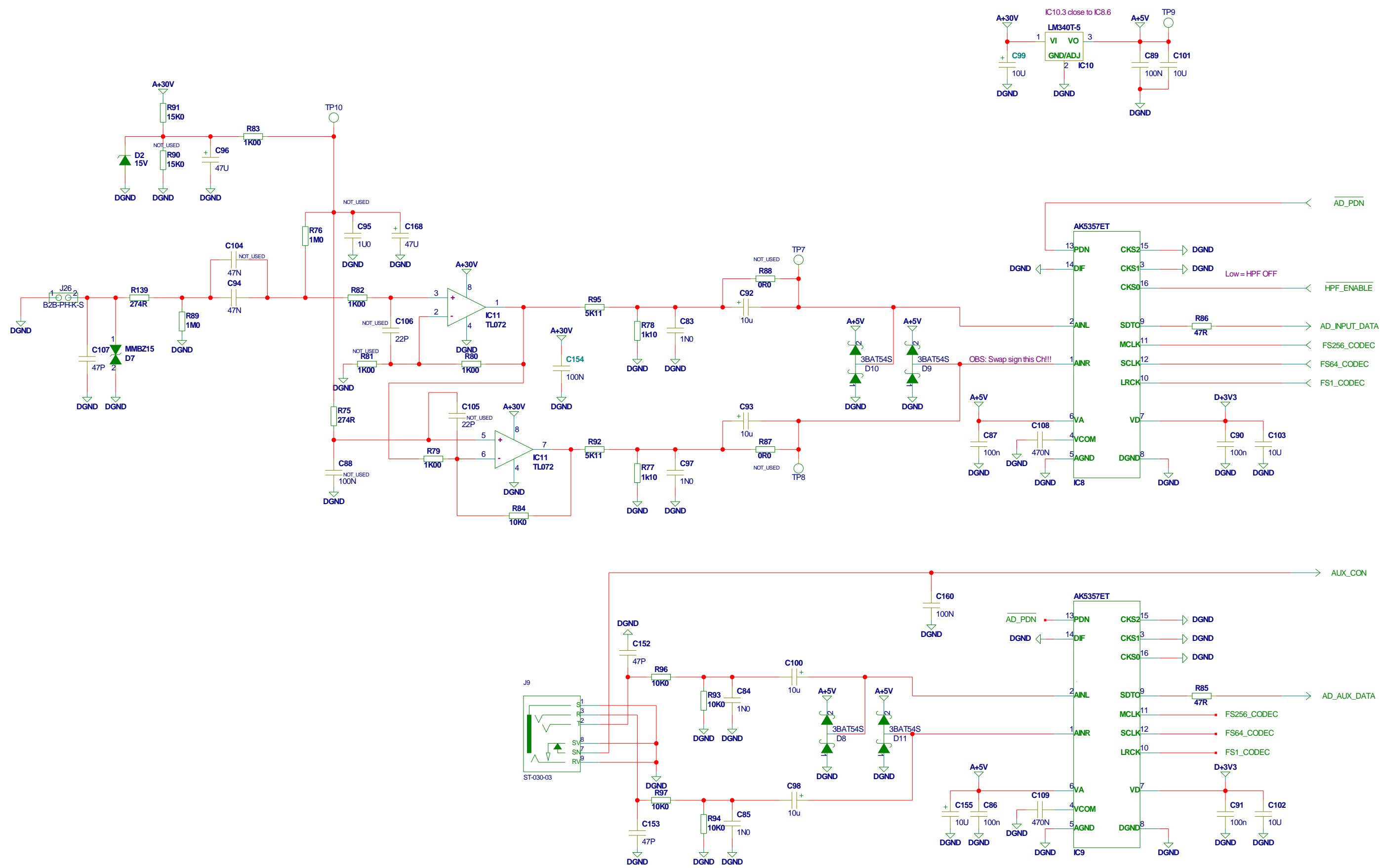
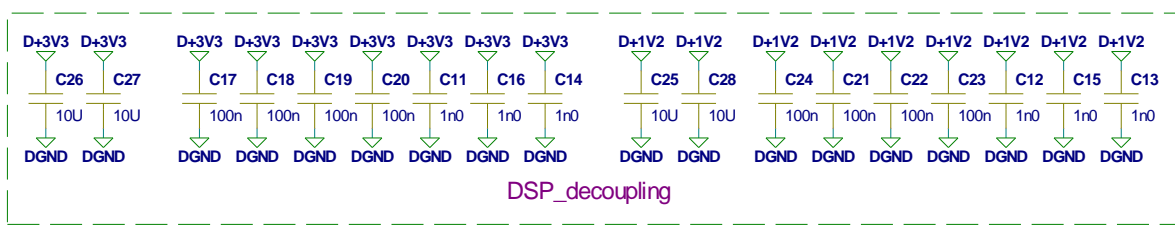
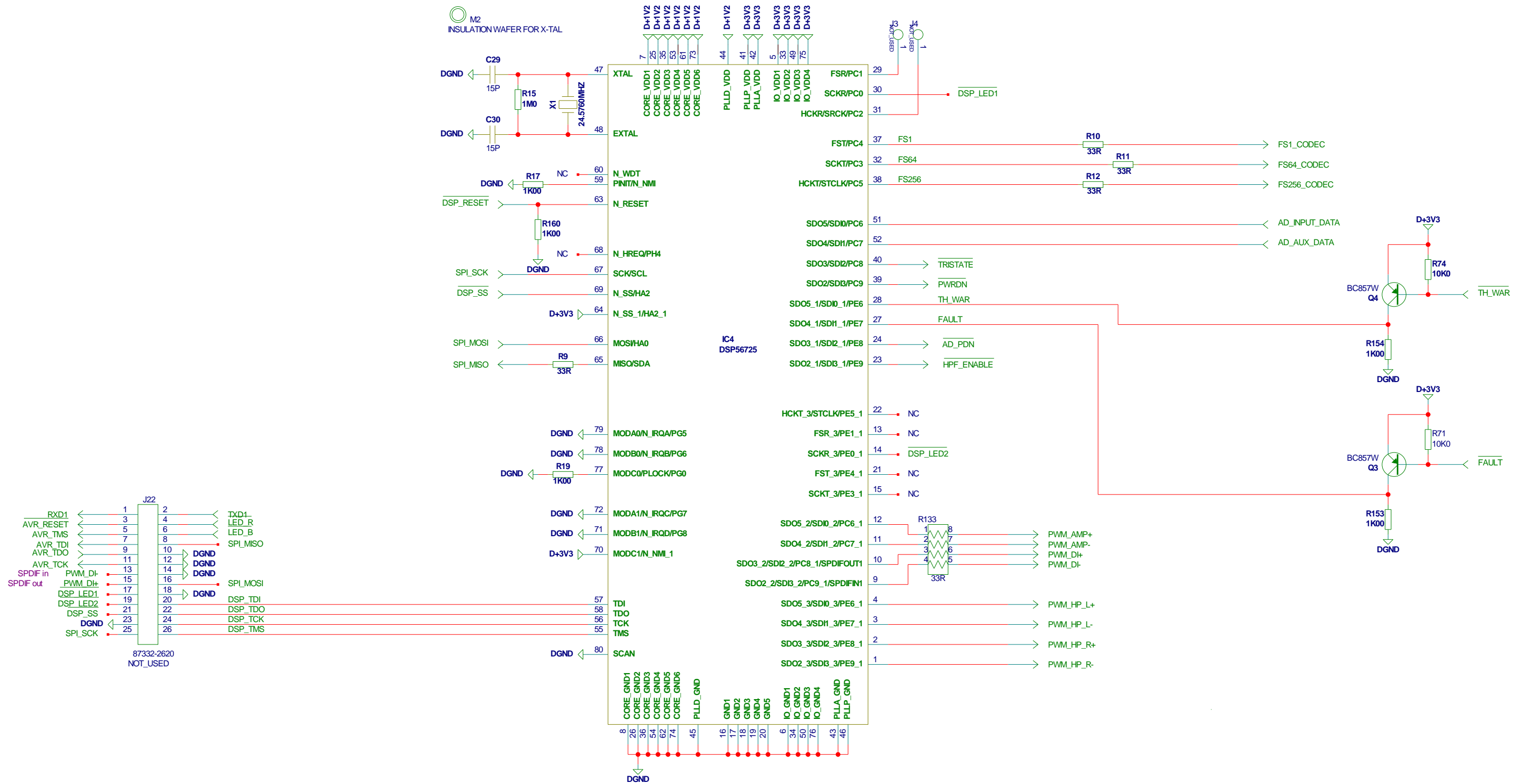


M1
P18111-E

TC Electronic A/S		Designer
COMBLOW MAINBOARD		MCLHO
TOP SHEET		
Number	Revision	Previous page
P18111	EAC	XX
Date	Filename	Page / of
6-13-2012_14:31	P18111_E	1 / 7



TC Electronic A/S		Designer MCLHO
Title COMBLOW MAINBOARD		Module title INPUT
Number P18111	Revision EAB	Previous page 5
Date 3-5-2012_9:49	Filename INPUT	Page / of 6 / 7

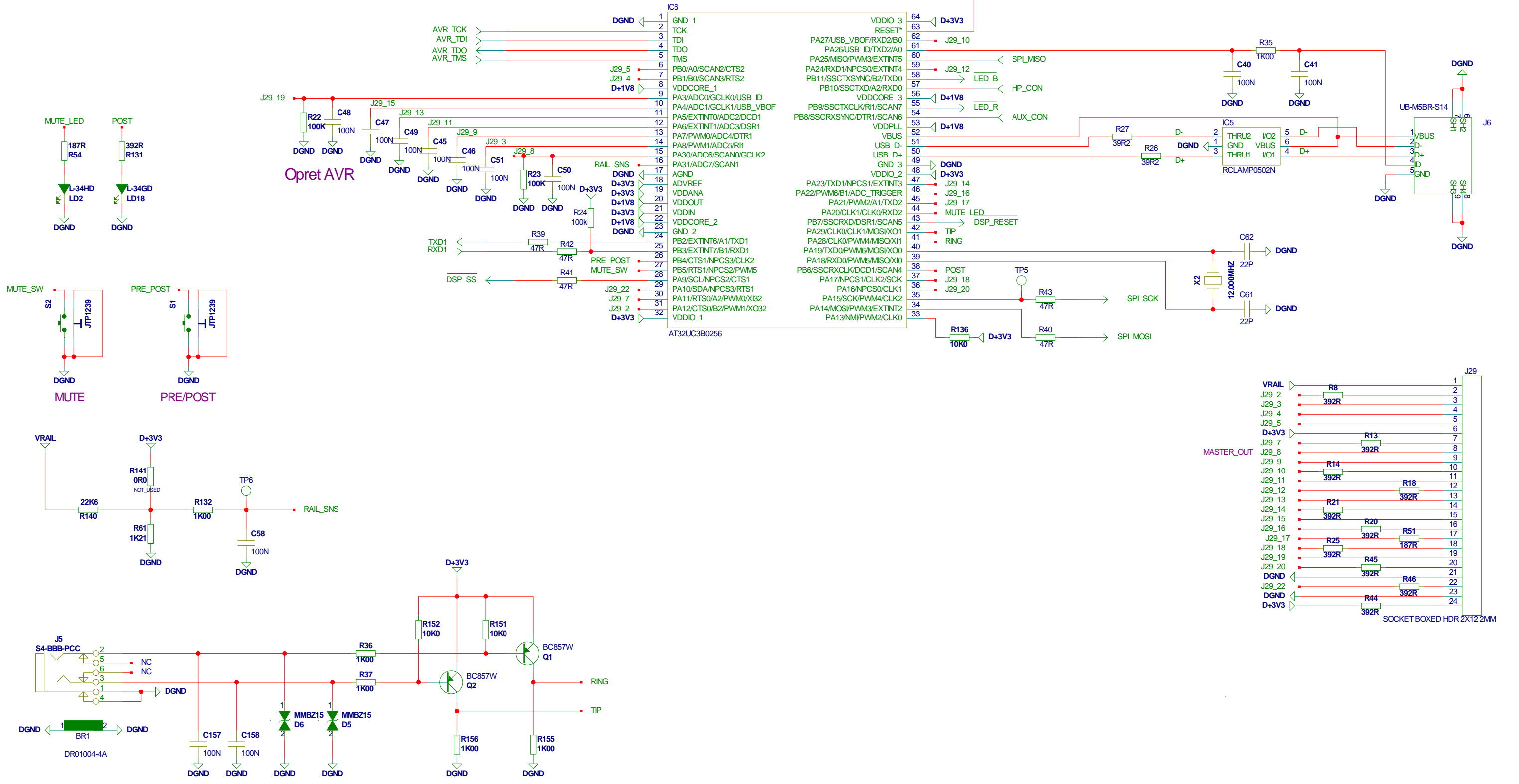


TC Electronic A/S		Designer MCLHO
Title COMBLOW MAINBOARD		Module title DSP SECTION
Number P18111	Revision EAB	Previous page 2
Date 3-5-2012_9:50	Filenam DSP725	Page / of 3 / 7

REMEMBER PULL:

MUTE, BYP_TT, BYP_TP, PRE_POST, HP_CON, AUX_CON

AVR_RESET



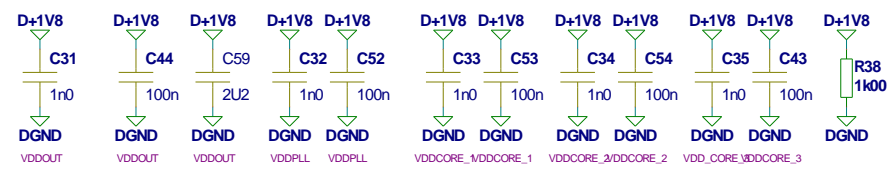
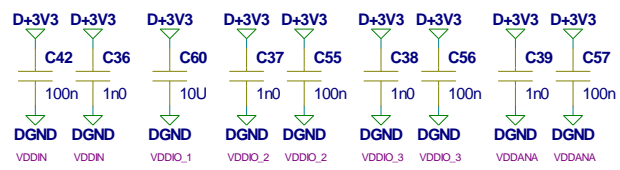
Opret AVR

MUTE

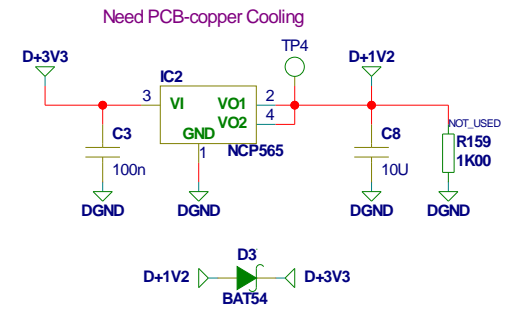
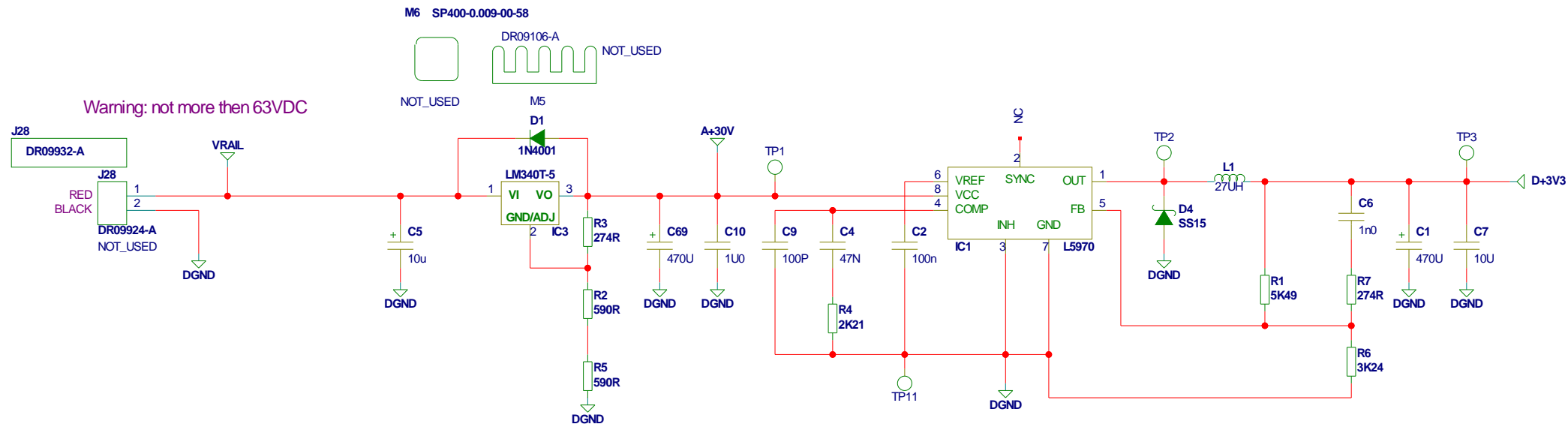
PRE/POST

MASTER_OUT

SOCKET BOXED HDR 2X12 2MM

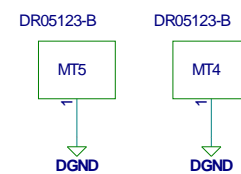
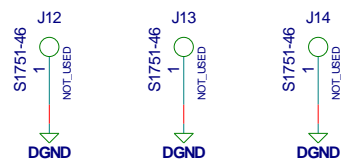


TC Electronic A/S		Designer
Title		MCLHO
COMBLOW MAINBOARD		Module title
Number	Revision	Previous page
P18111	EAB	3
Date	Filename	Page / of
3-5-2012_9:48	UI	4 / 7

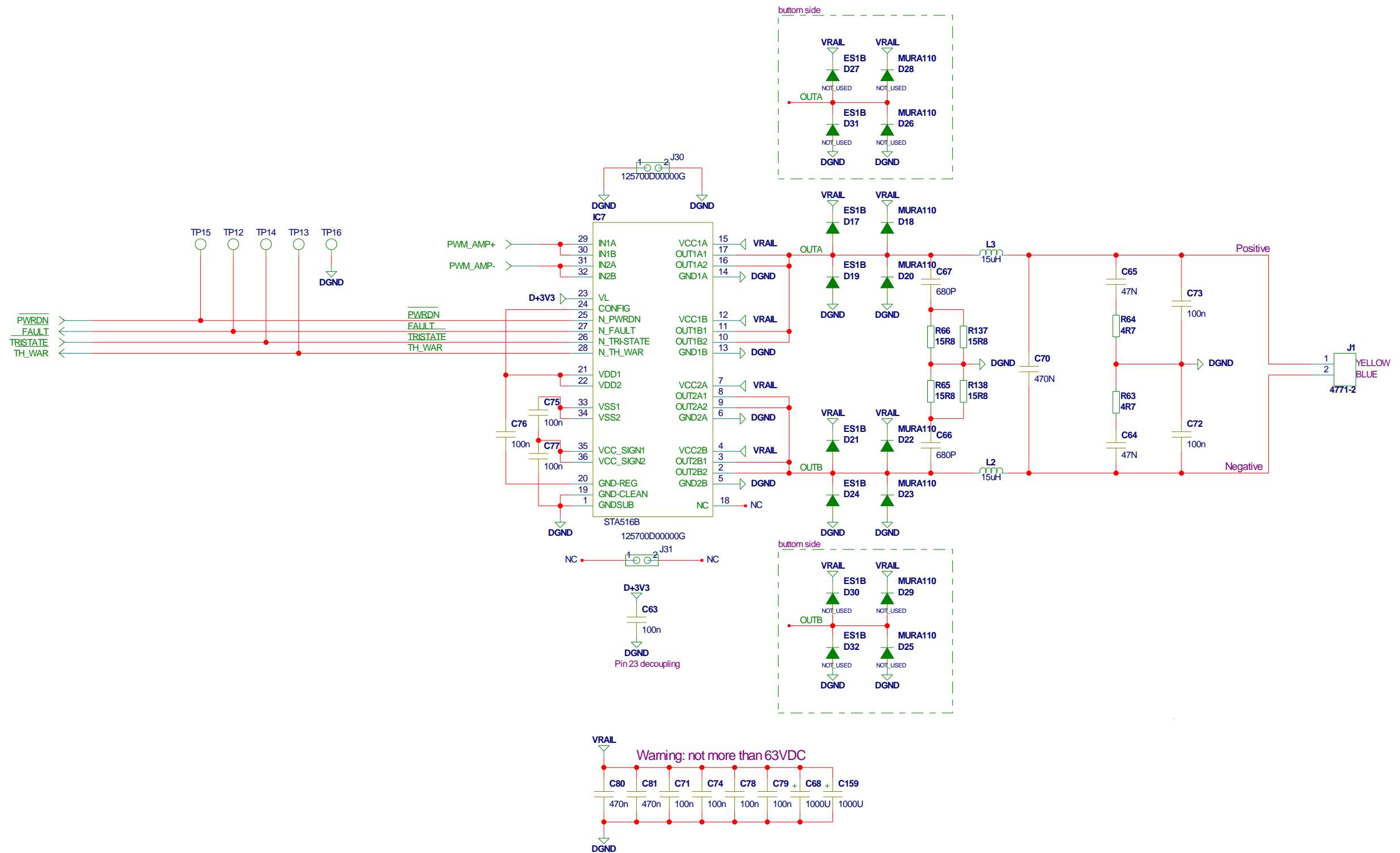


- M4
HEXAGONAL METAL SPACER, M3X8
- NOT_USED
M3
HEXAGONAL METAL SPACER, M3X8
- NOT_USED
- M7
HEXAGONAL METAL SPACER, M3X24,5
- NOT_USED
M8
HEXAGONAL METAL SPACER, M3X24,5
- NOT_USED

- DGND ← 1 MT1
- DGND ← 1 MT2
- DGND ← 1 MT3
- DGND ← 1 MT6
- DGND ← 1 MT7
- DGND ← 1 MT8



TC Electronic A/S		Designer MCLHO
Title COMBLOW MAINBOARD		Module title SUPPLY SECTION
Number P18111	Revision EAB	Previous page 1
Date 6-13-2012_14:30	Filename SUPPLY	Page / of 2 / 6



TC Electronic A/S		Designer
		MCLHO
Title	COMBLOW MAINBOARD	Module title
		OUTPUT_STAGE
Number	P18111	Revision
		EAB
Date	3-5-2012_9:49	Previous page
		4
Filename		Page / of
OUTPUT_STAGE		5 / 7