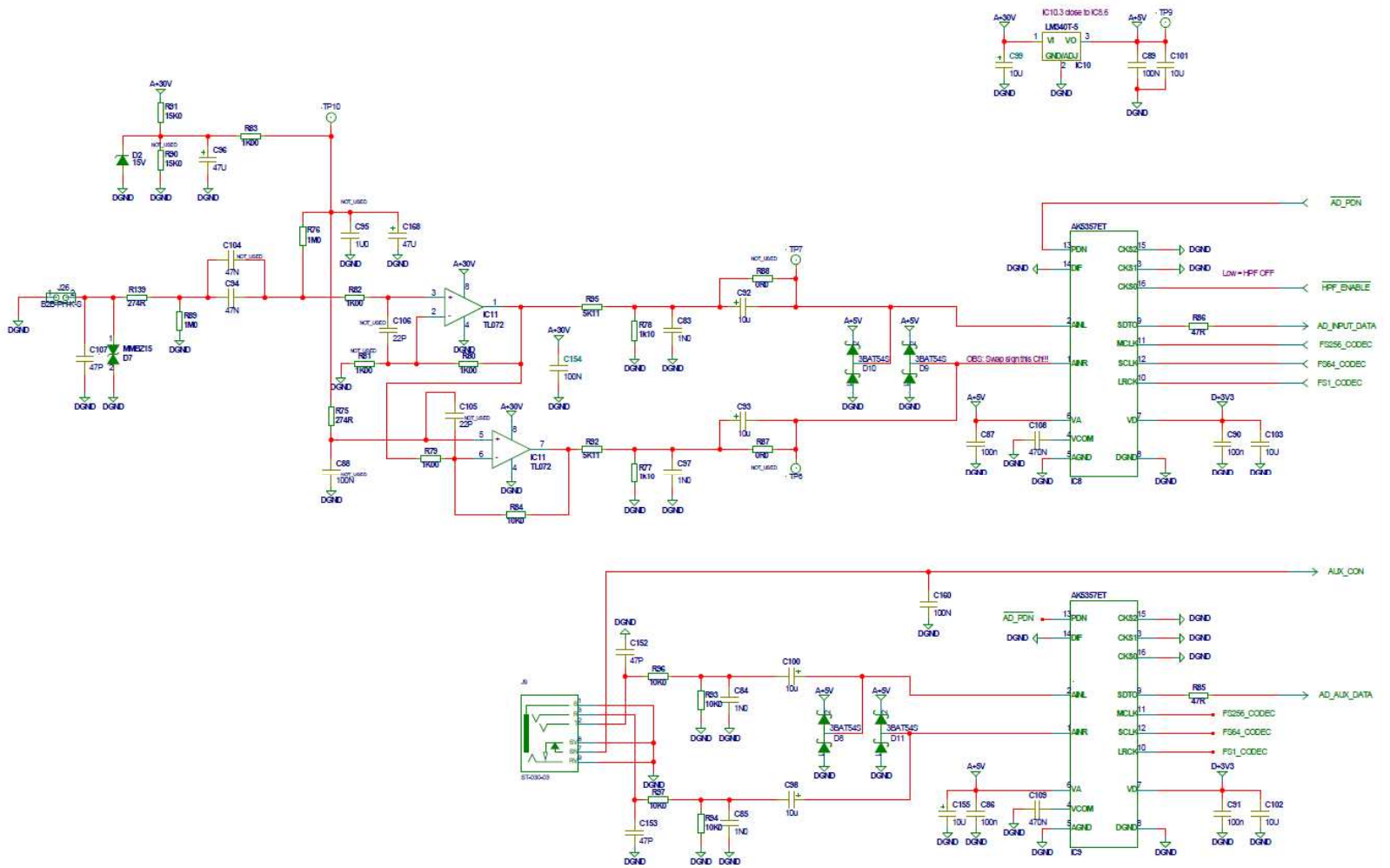
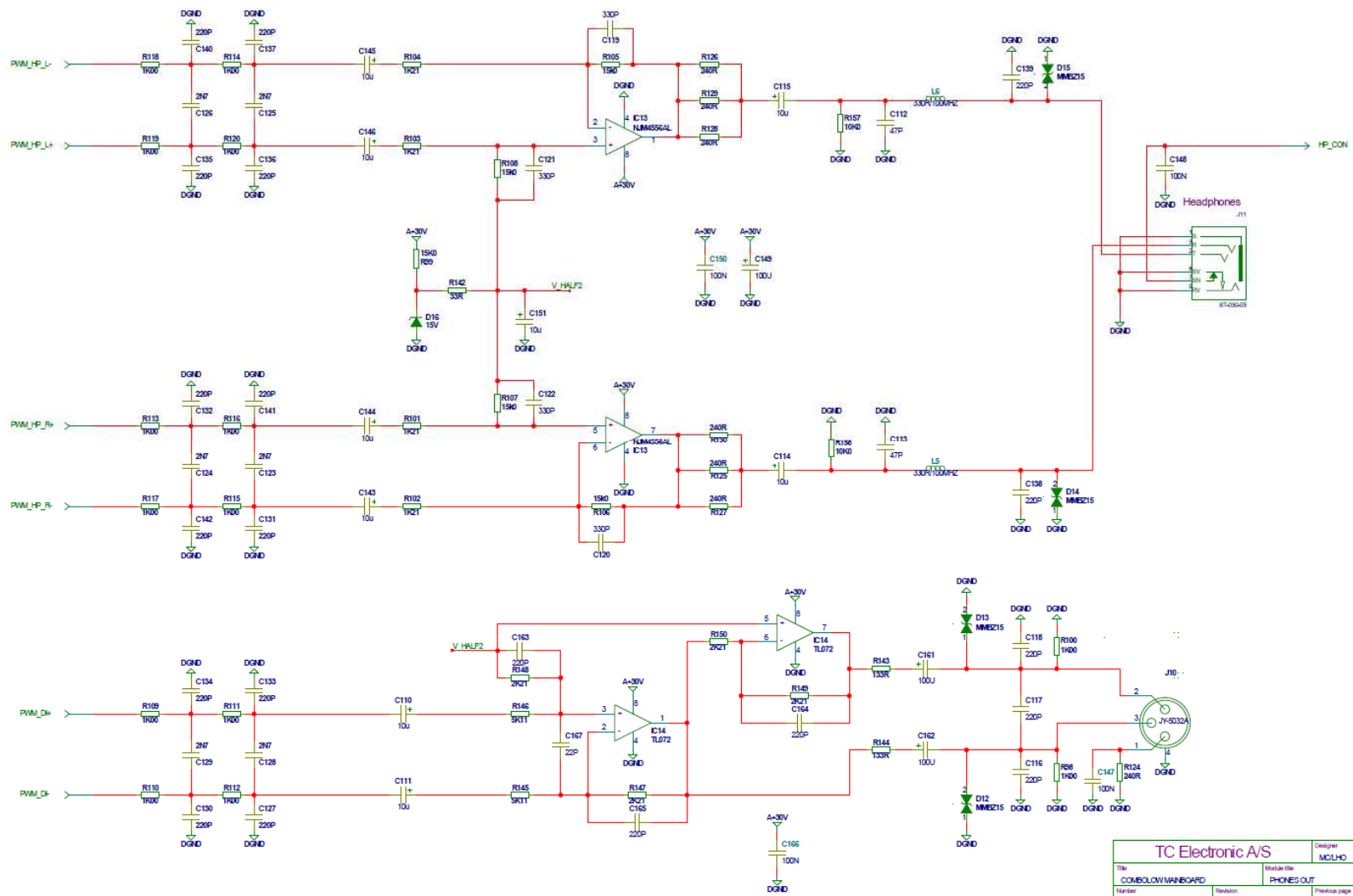


M1
P18111-E

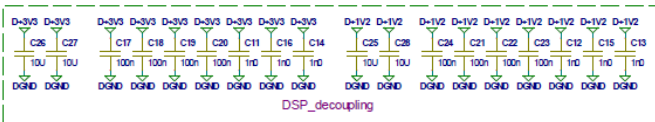
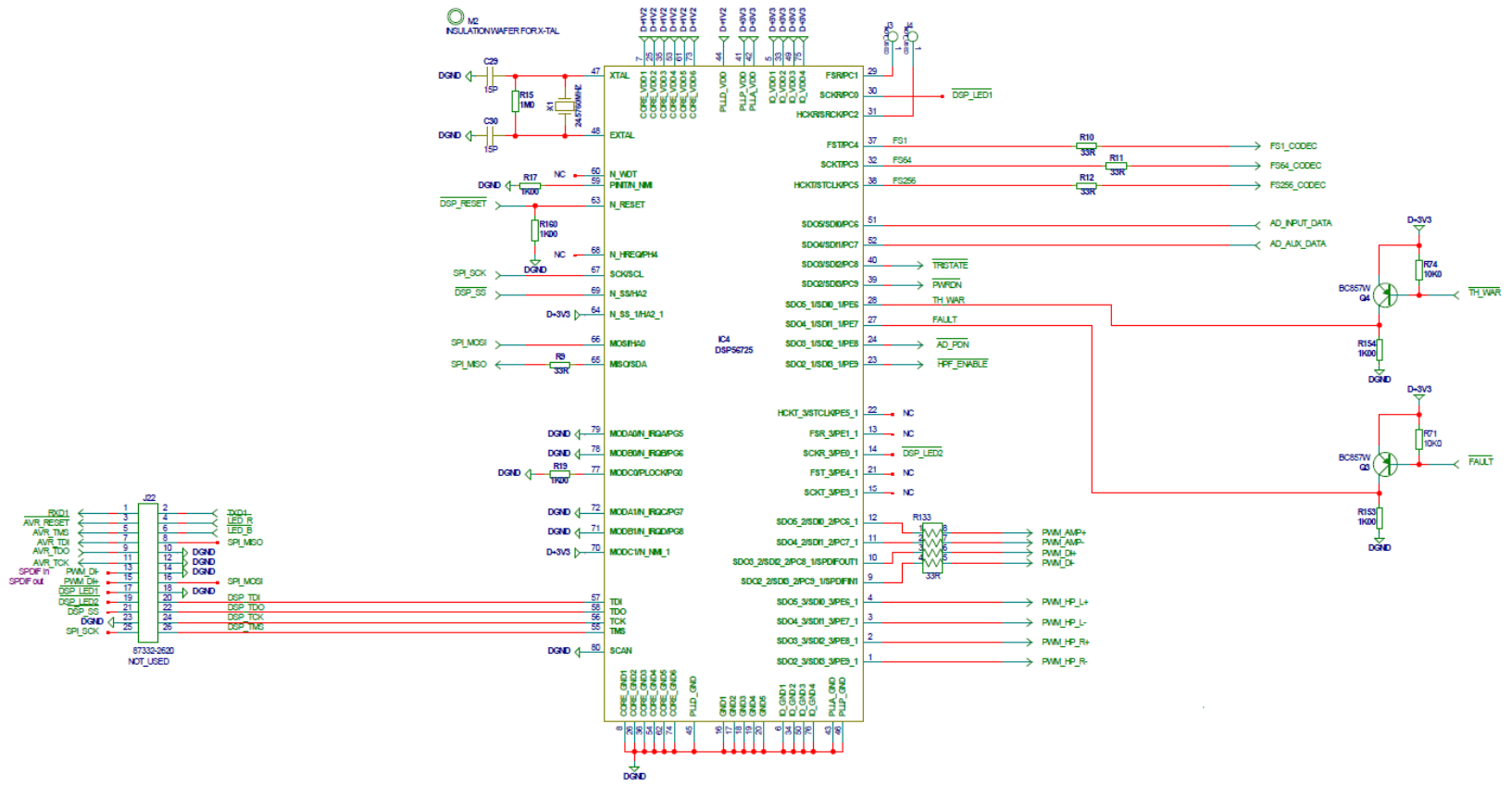
TC Electronic A/S		Designer	MOLND
Title	Module title	TOP SHEET	
Number	Revision	Previous page	XX
P18111	EAC		
Date	Filename	Page / of	1/7
8-20-2012_041	P18111_E		



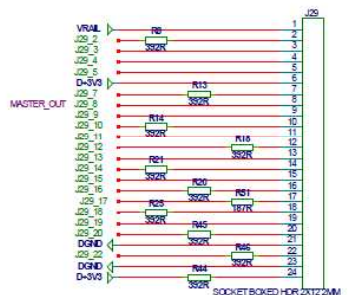
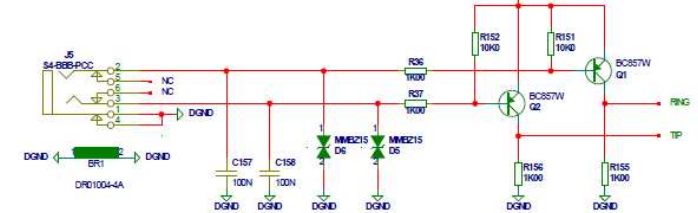
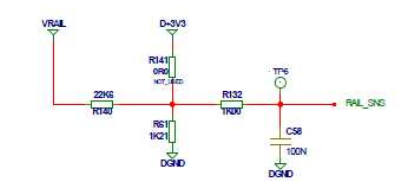
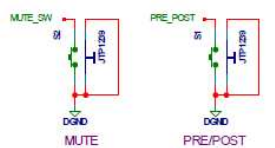
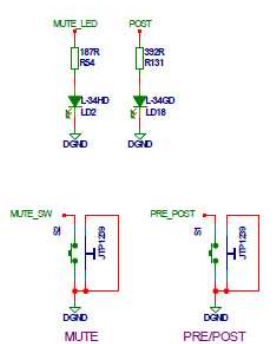
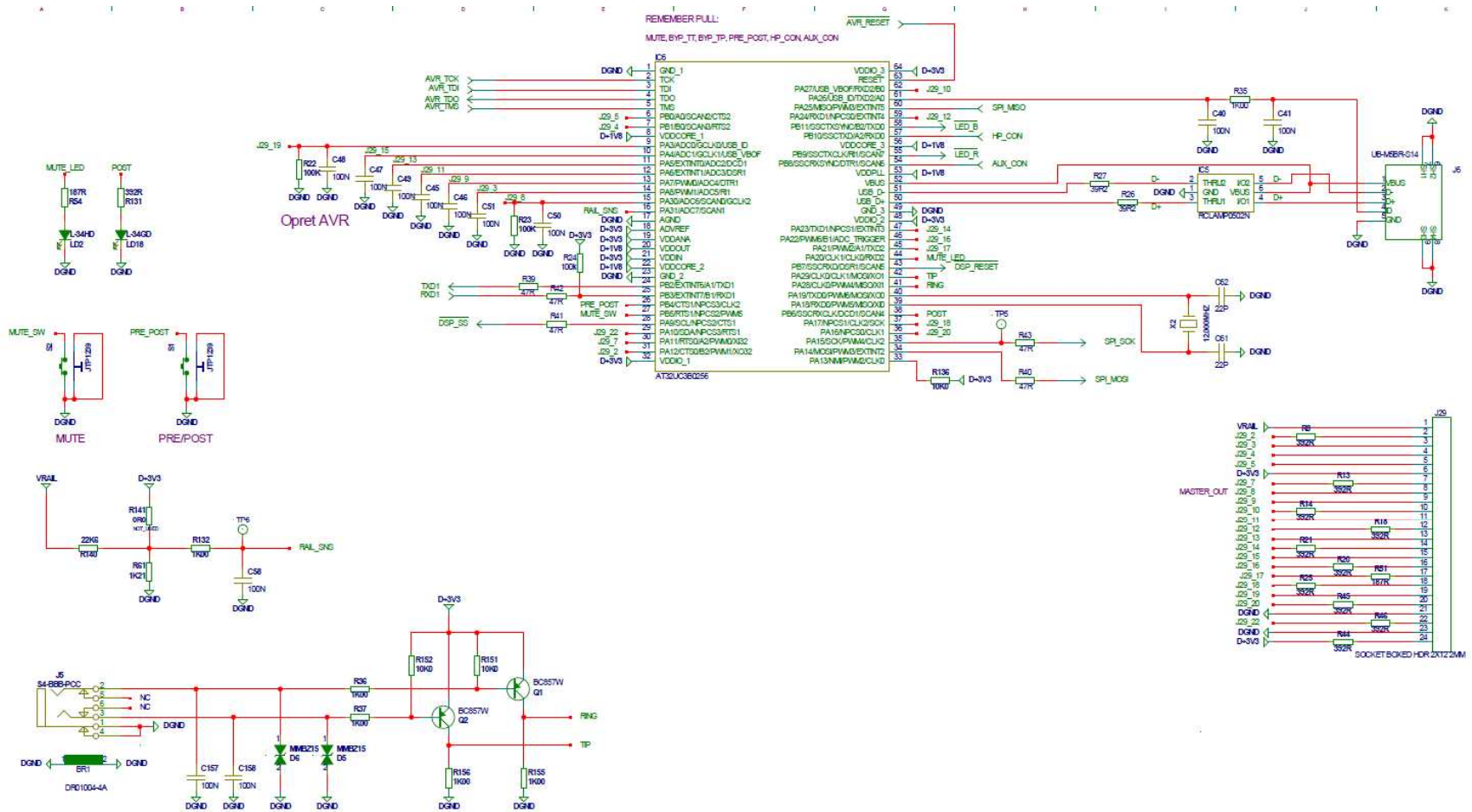
TC Electronic A/S		Designer
Title	COMBOW MAINBOARD	MCU-HO
Module title	INPUT	
Revision	EAC	Page / of
File name	INPUT	5 / 7
Date	8-20-2012 9:41	



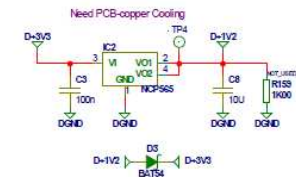
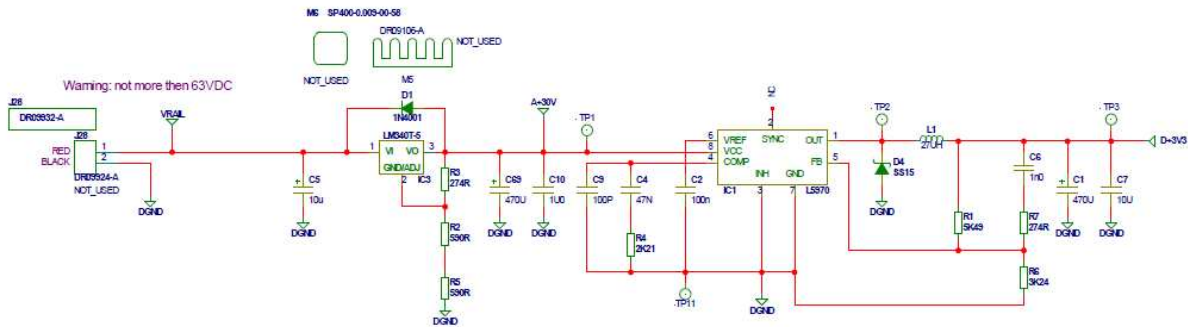
TC Electronic A/S		Designer
Title	COMBLOW MAINBOARD	MCLHO
Module file	PHONES_OUT	
Number	P18111	Revision
Date	8-20-2012_9:41	Author
		Printed page
		Page / of
		7 / 7



TC Electronic A/S		Designer:	MCLHO
Title:	COMBLOW MAINBOARD	Module title:	DSP SECTION
Number:	P18111	Revision:	EAC
Date:	8-20-2012 9:41	File name:	DSP725
		Previous page:	2
		Page total:	3/7

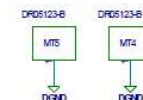
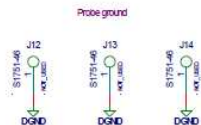


TC Electronic A/S		Designer
Title: COMBOLOW MAINBOARD		MCLH-D
Module title: UI	Revision: EAC	Previous page: 3
Number: P18111	Flavor: UI	Page / of: 4 / 7
Date: 8-25-2012 9:41		



- M6
- HEXAGONAL METAL SPACER, M3X8
- M7
- HEXAGONAL METAL SPACER, M3X4.5
- NOT_USED
- M3
- HEXAGONAL METAL SPACER, M3X8
- NOT_USED
- M8
- HEXAGONAL METAL SPACER, M3X4.5
- NOT_USED

- DGND ← 1 MT1
- DGND ← 1 MT2
- DGND ← 1 MT3
- DGND ← 1 MT6
- DGND ← 1 MT5
- DGND ← 1 MT7
- DGND ← 1 MT8



TC Electronic A/S			
Title	Module title		Designer
COMBLOWMAINBOARD		SUPPLY SECTION	
Number	Revision	Drawn	Checked page
P18111	EAC		1
Date	Filename	Page / of	
8-20-2012 9:41	SUPPLY		2/6

Sorry, but the output stage circuit is confidential