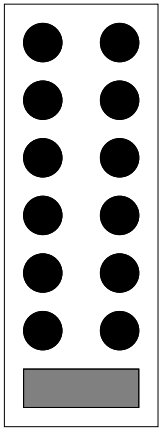
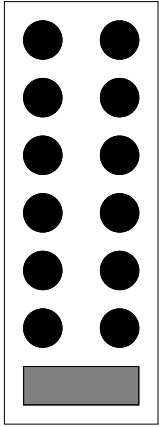
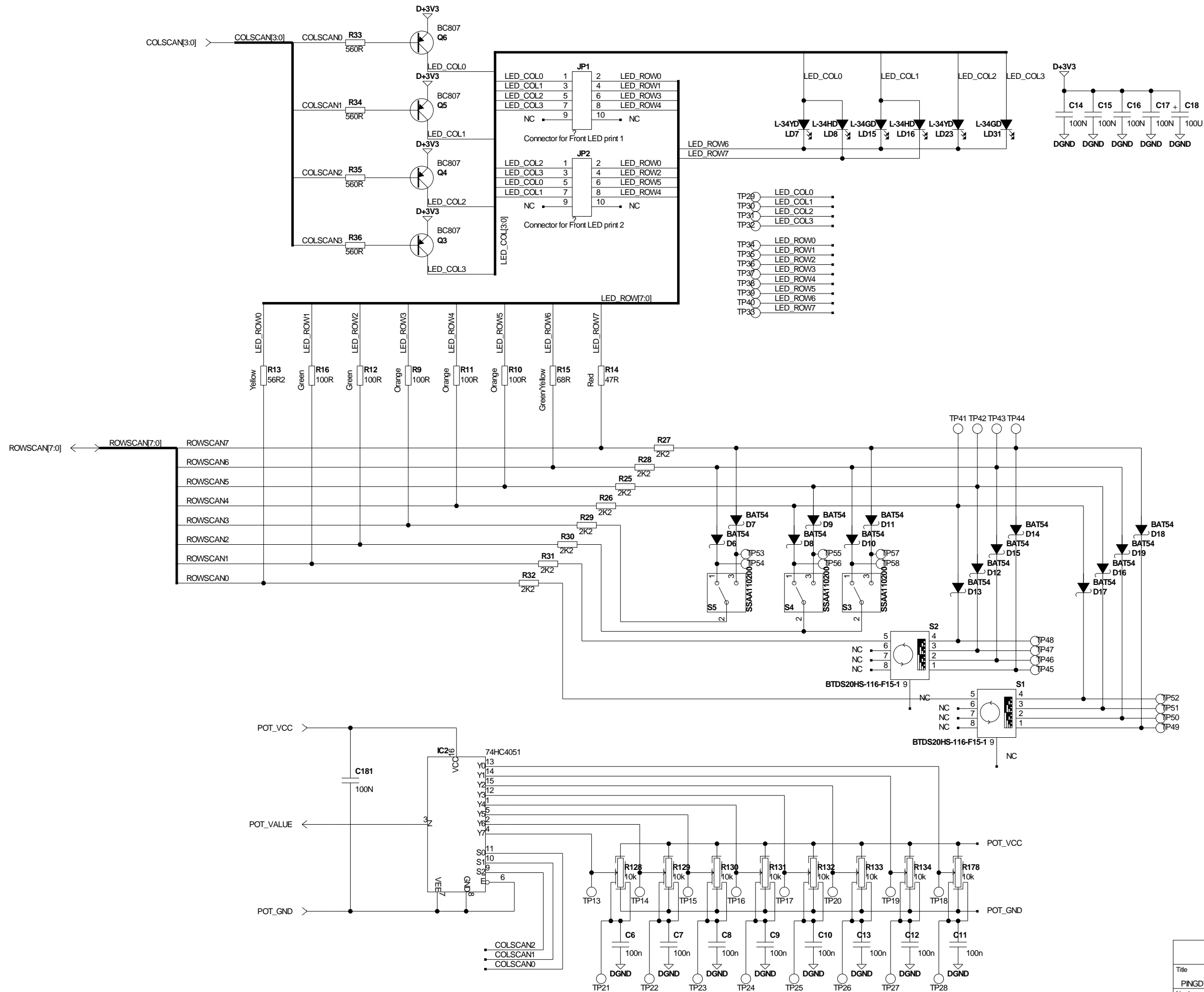
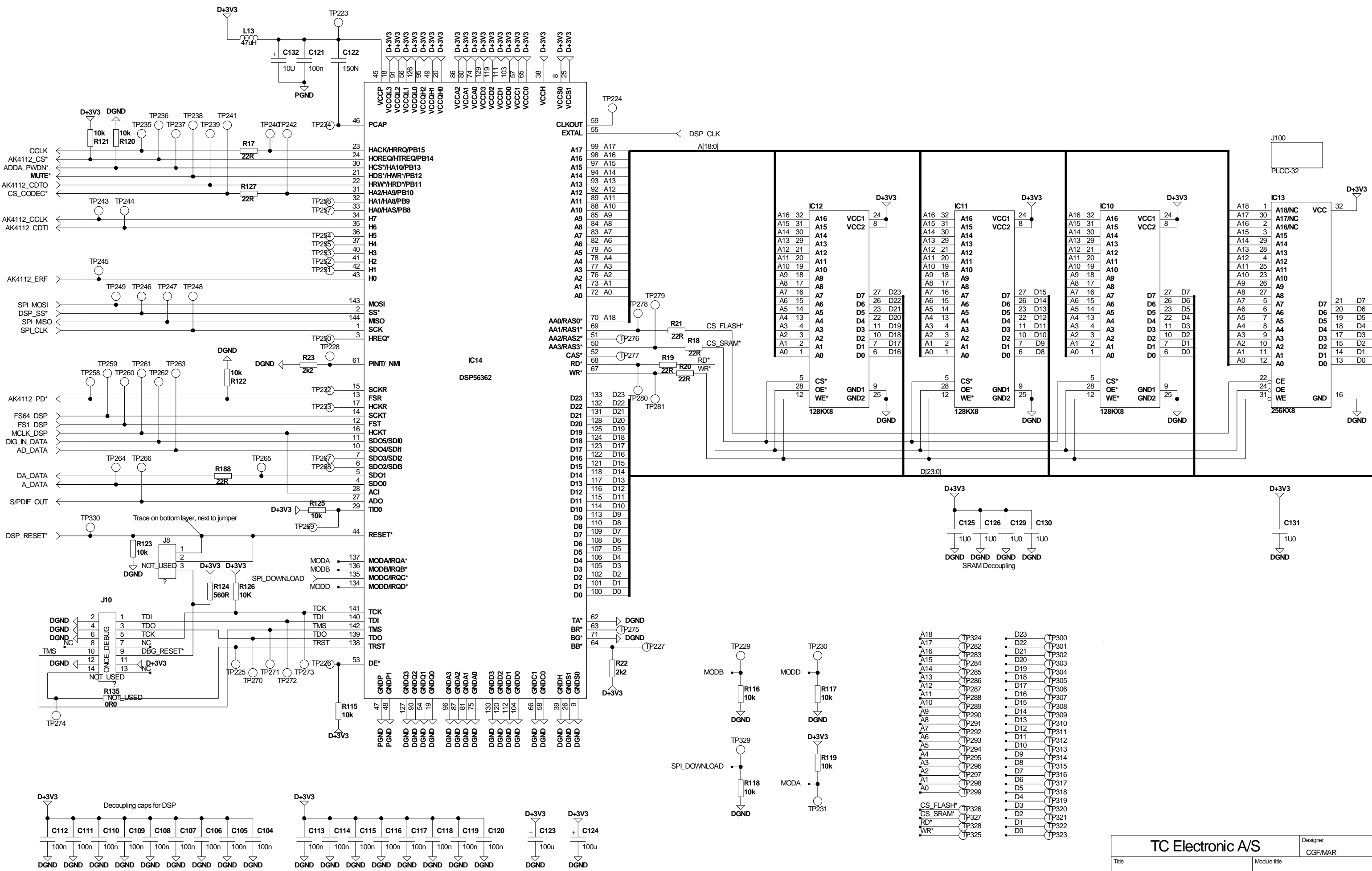


<b>TC Electronic A/S</b>		Designer CGF/MAR
Title PINGDYN (C300) MAINBOARD		Module title MODULE TITLE
Number P20201	Revision EAA	Previous page 1
Date 5-5-2006 16:57	Filename ANALOG_IN	Page / of 11 / 11

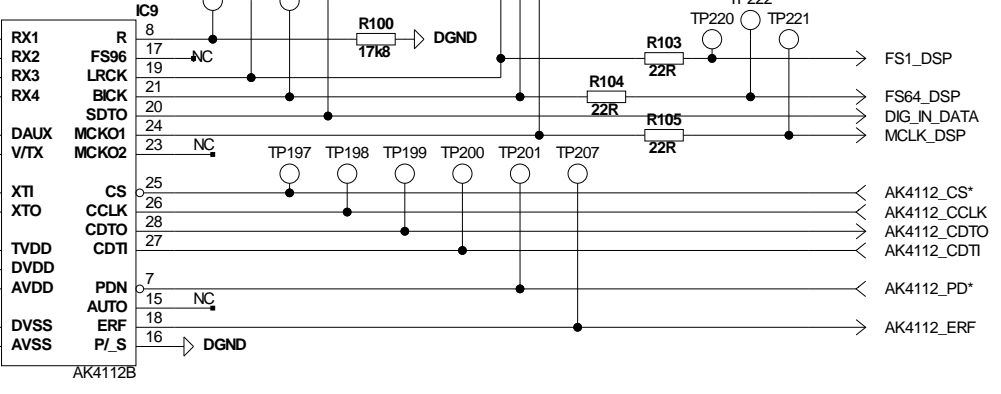
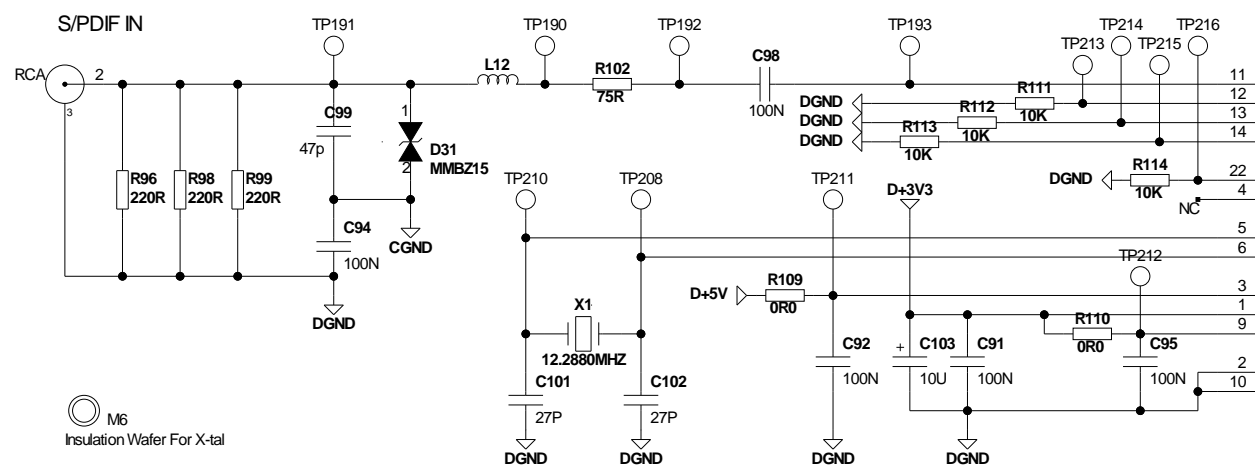
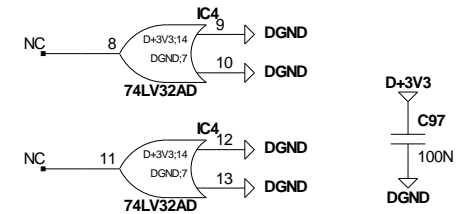
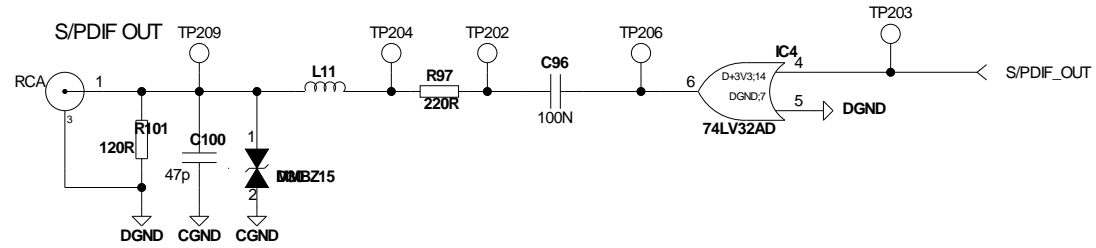


- TP25 LED\_COL0
- TP30 LED\_COL1
- TP31 LED\_COL2
- TP32 LED\_COL3
- TP34 LED\_ROW0
- TP35 LED\_ROW1
- TP36 LED\_ROW2
- TP37 LED\_ROW3
- TP38 LED\_ROW4
- TP39 LED\_ROW5
- TP40 LED\_ROW6
- TP33 LED\_ROW7

<b>TC Electronic A/S</b>		Designer CGF/MAR
Title PINGDYN (C300) MAINBOARD		Module title MODULE TITLE
Number P20201	Revision EAA	Previous page 1
Date 5-5-2006 16:52	Filename UI	Page / of 3 / 11



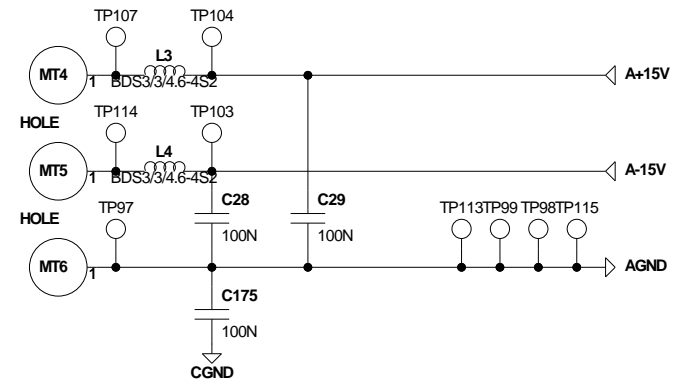
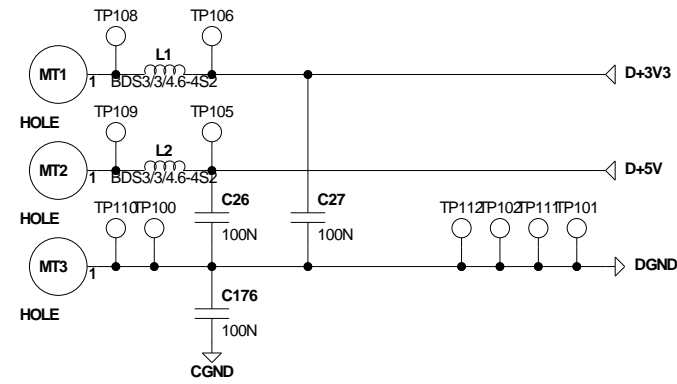
<b>TC Electronic A/S</b>		Designer
		CGF/MAR
Title		Module title
PINGDYN (C300) MAINBOARD		MODULE TITLE
Number	Revision	Previous page
P20201	EAA	1
Date	Filenam	Page / of
8-5-2006 13:40	DSP	10 / 11



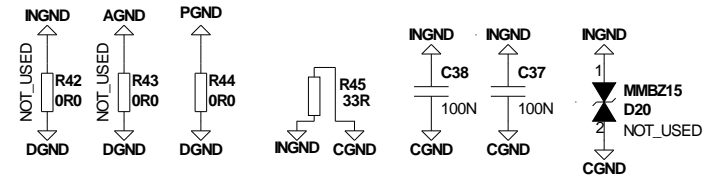
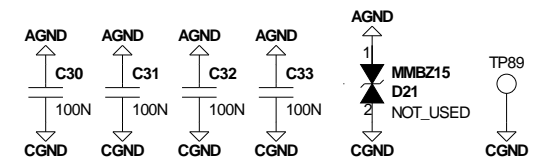
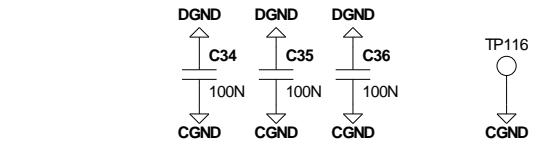
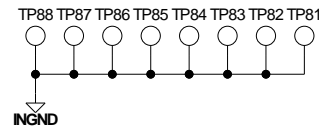
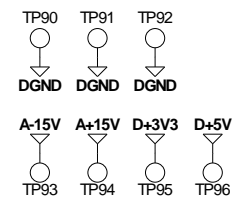
M6  
Insulation Wafer For X-tal

<b>TC Electronic A/S</b>		Designer CGF/MAR
Title PINGDYN (C300) MAINBOARD		Module title MODULE TITLE
Number P20201	Revision EAA	Previous page 1
Date 5-5-2006 16:56	Filename DIGITAL_IN_OUT	Page / of 9 / 11

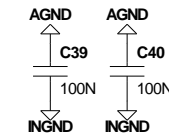
Connections for Power Supply



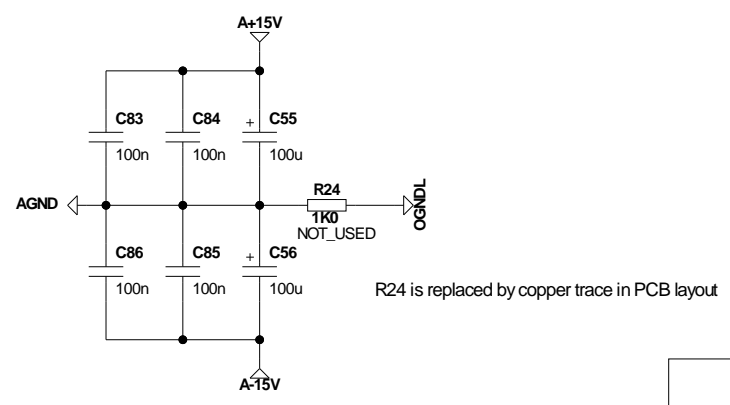
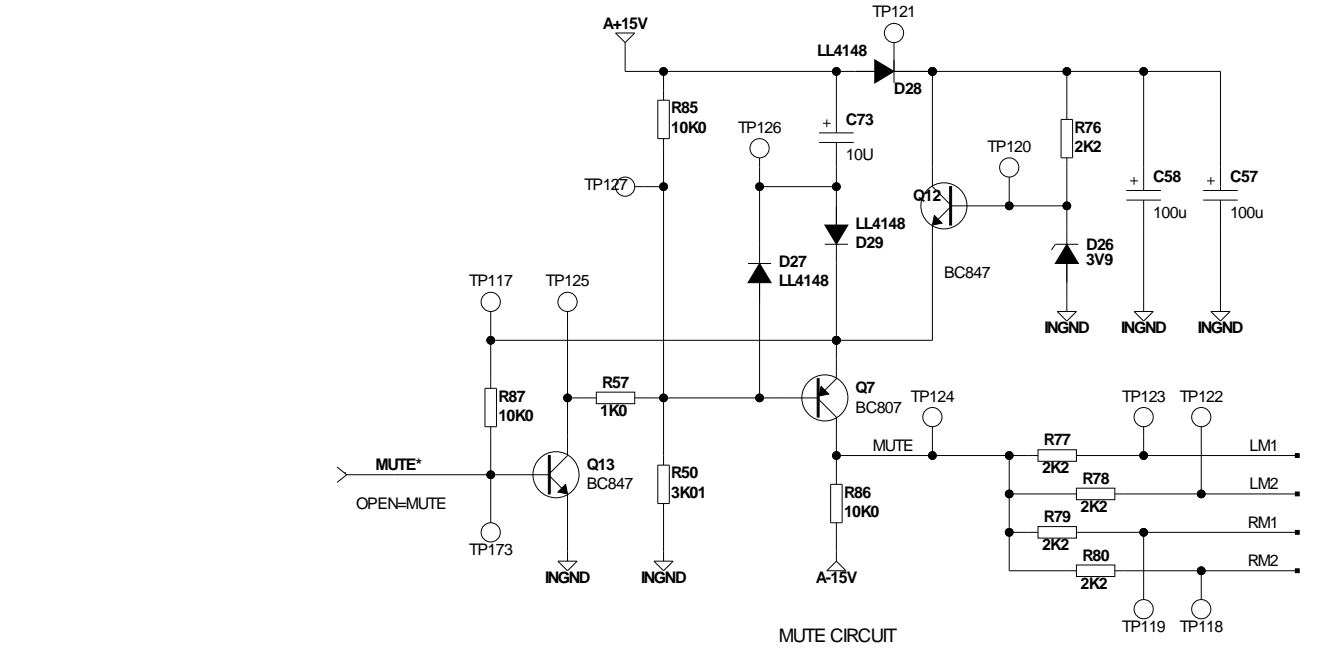
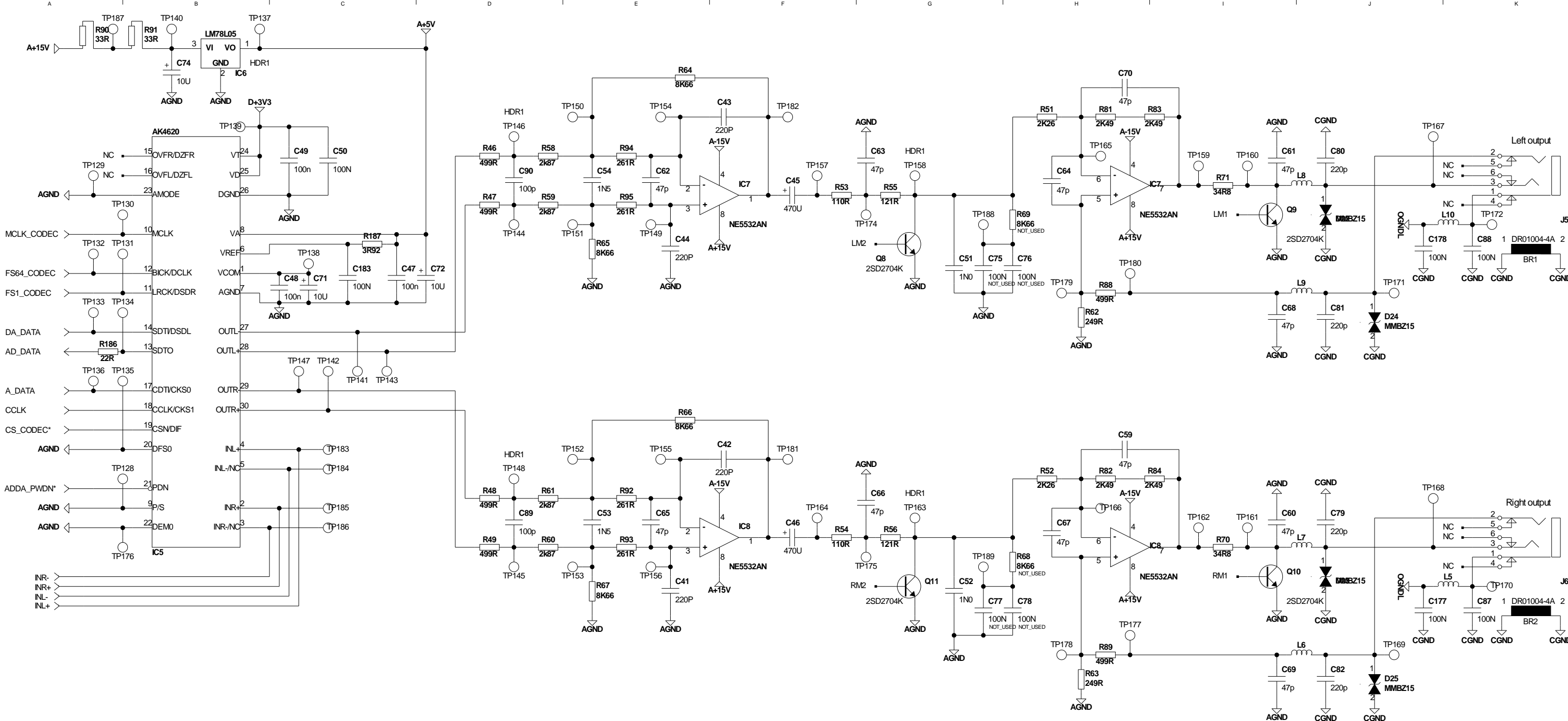
Testpoints for measurements



R42, R43 are replaced by copper traces in PCB layout

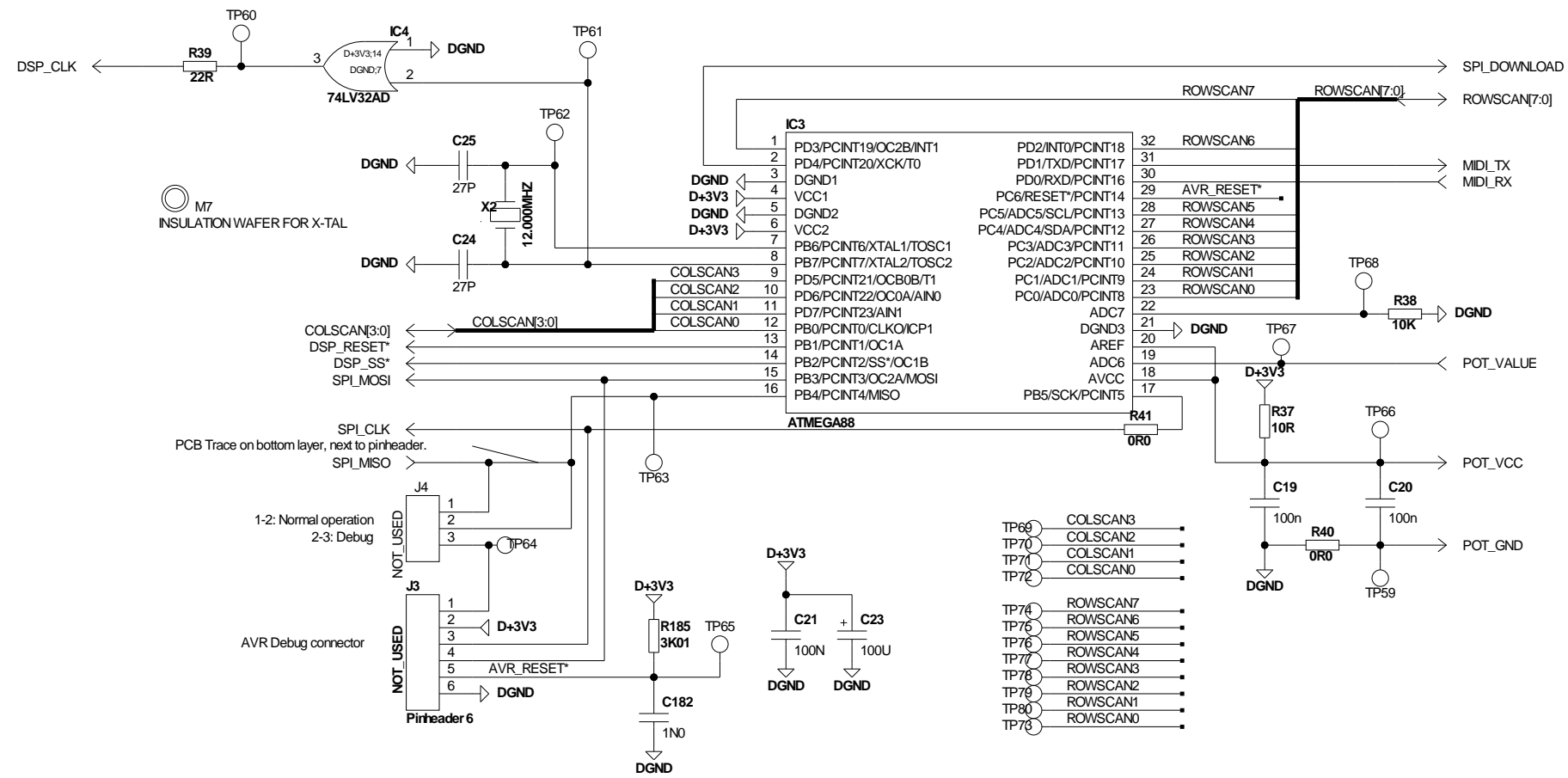


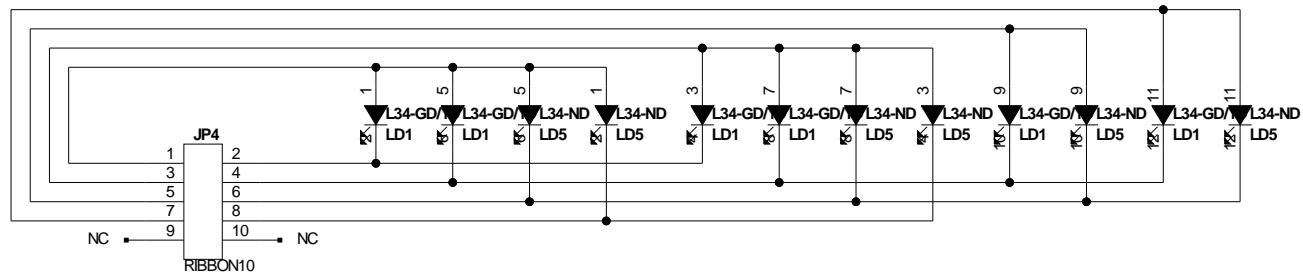
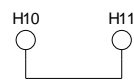
<b>TC Electronic A/S</b>		Designer CGF/MAR
Title PINGDYN (C300) MAINBOARD	Module title MODULE TITLE	
Number P20201	Revision EAA	Previous page 1
Date 5-5-2006 16:55	Filename POWER	Page / of 7 / 11



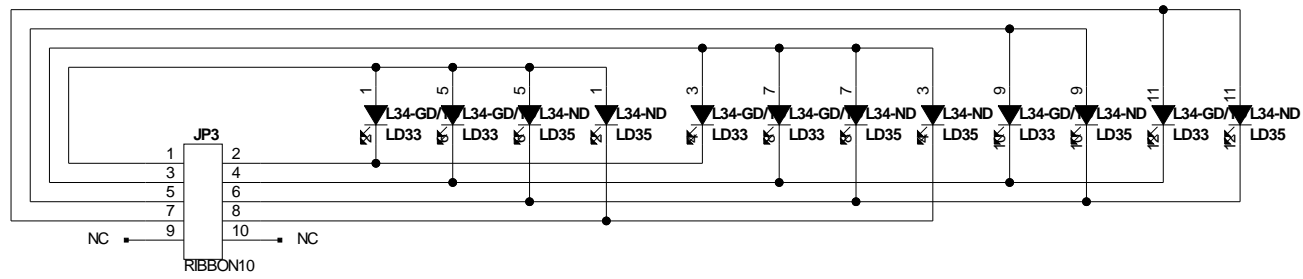
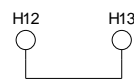
<b>TC Electronic A/S</b>		Designer CGF/MAR
Title PINGDYN (C300) MAINBOARD		Module title MODULE TITLE
Number P20201	Revision EAA	Previous page 1
Date 5-5-2006 16:56	Filename ANALOG_OUT	Page / of 8 / 11







<b>TC Electronic A/S</b>		Designer CGF/MAR
Title PINGDYN (C300) MAINBOARD		Module title MODULE TITLE
Number P20201	Revision EAA	Previous page 1
Date 5-5-2006 16:53	Filename LED_BAR	Page / of 1 / 11



<b>TC Electronic A/S</b>		Designer CGF/MAR
Title PINGDYN (C300) MAINBOARD		Module title MODULE TITLE
Number P20201	Revision EAA	Previous page 1
Date 5-5-2006 16:53	Filename LED_BAR	Page / of 5 / 11