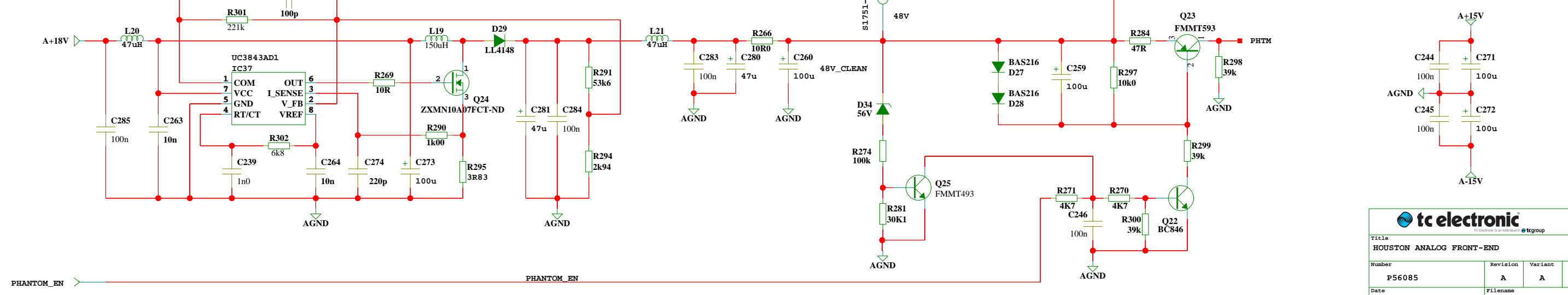
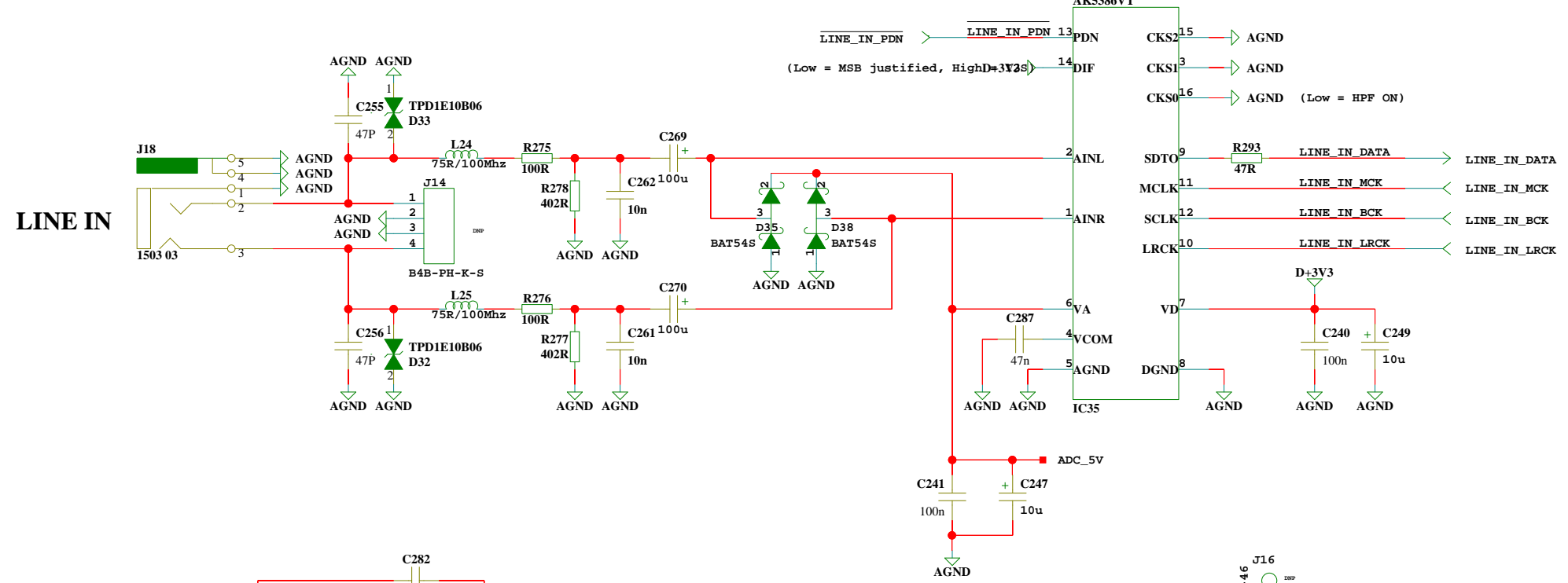
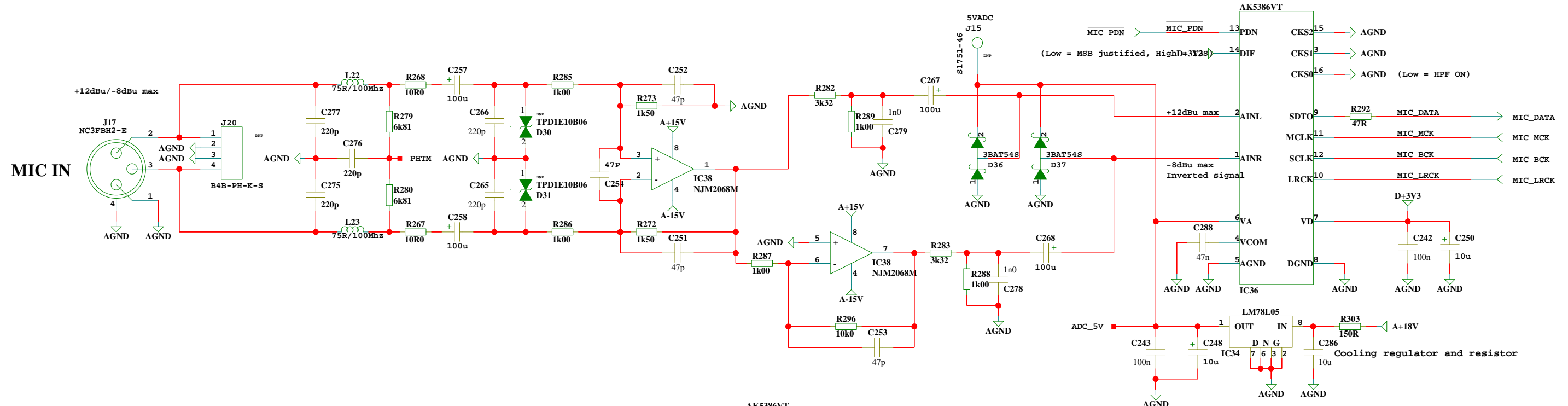
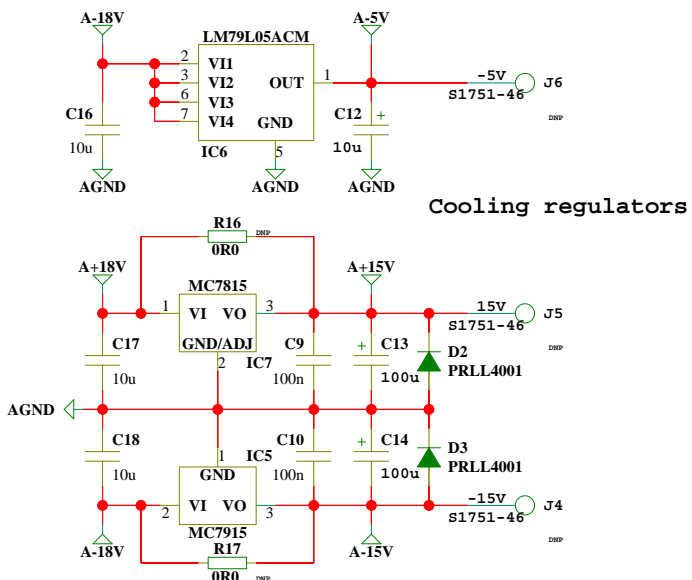
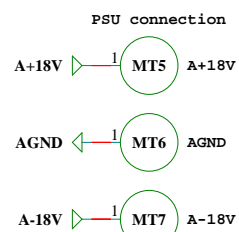
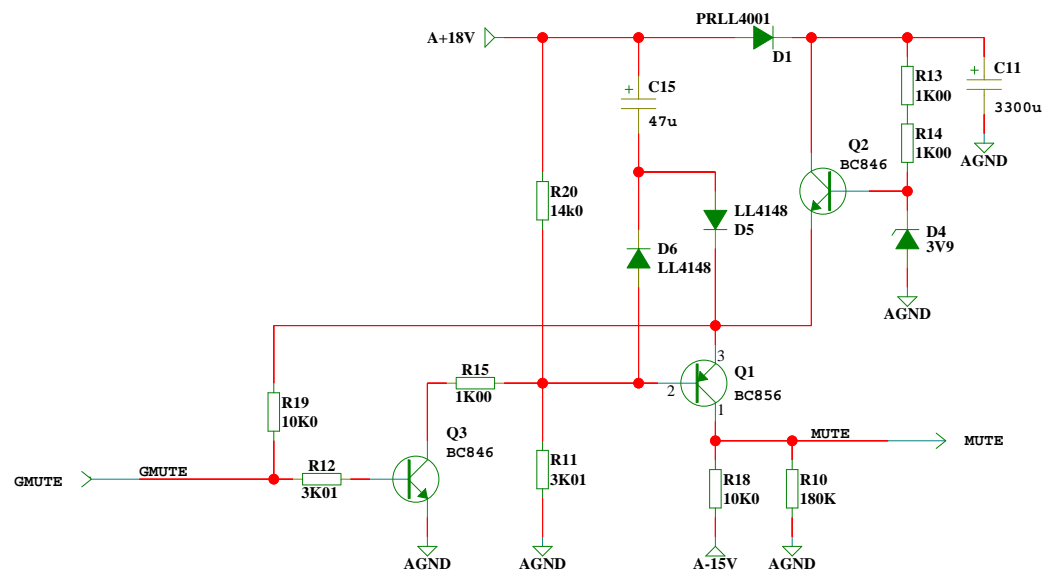
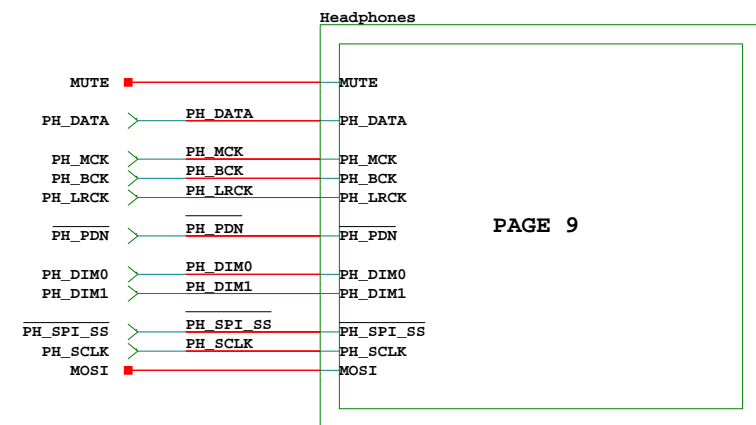
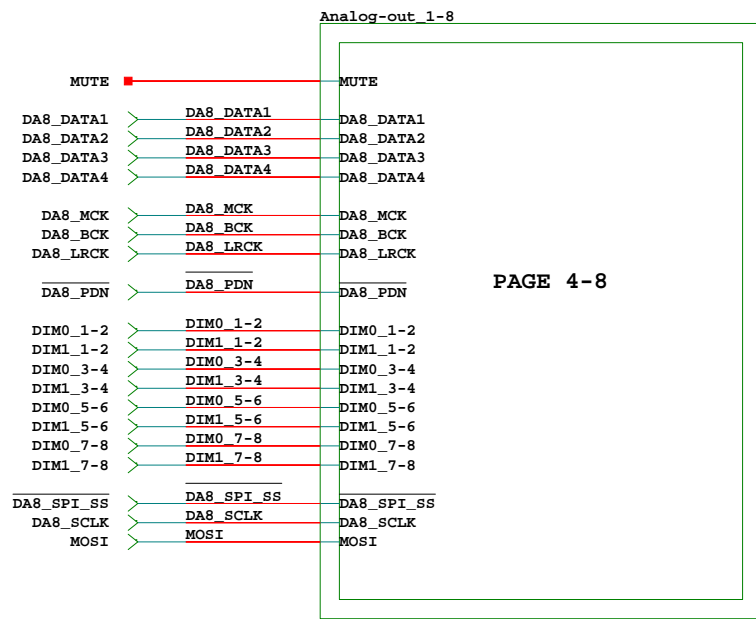


M1  
P56085-A

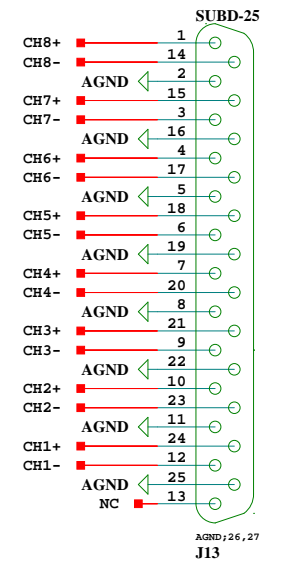
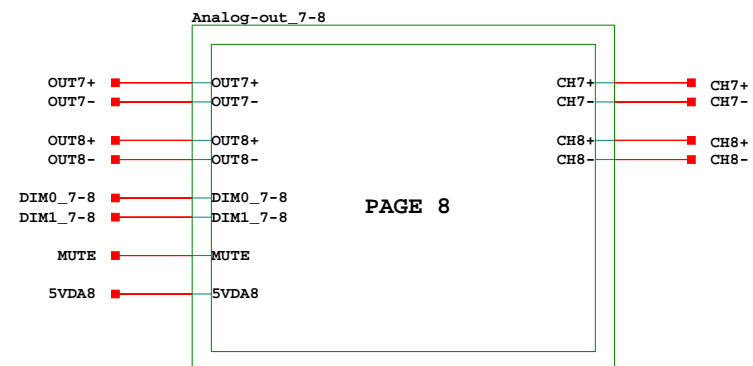
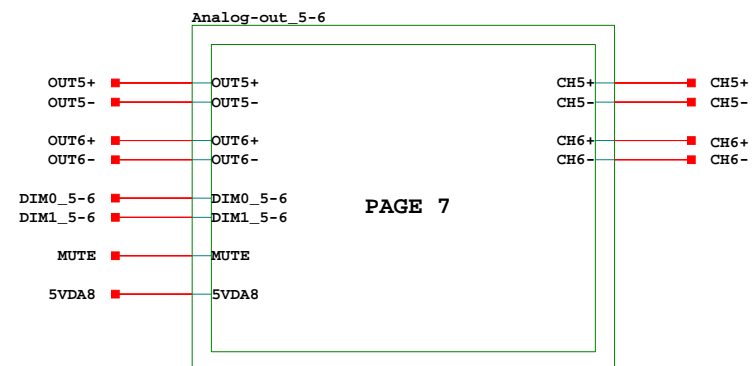
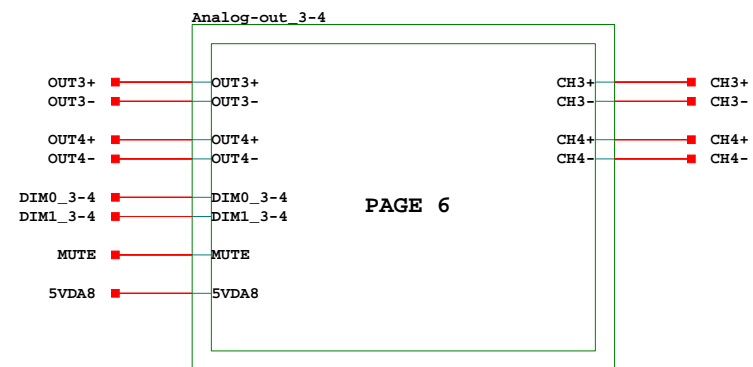
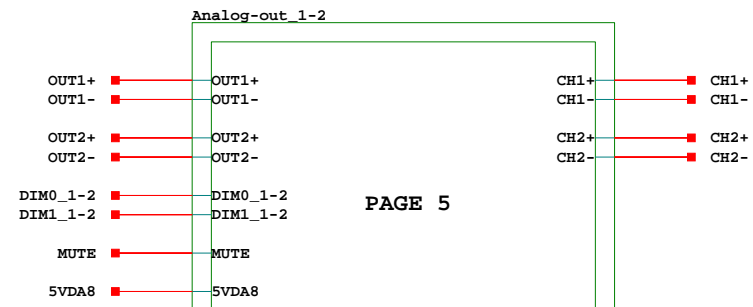
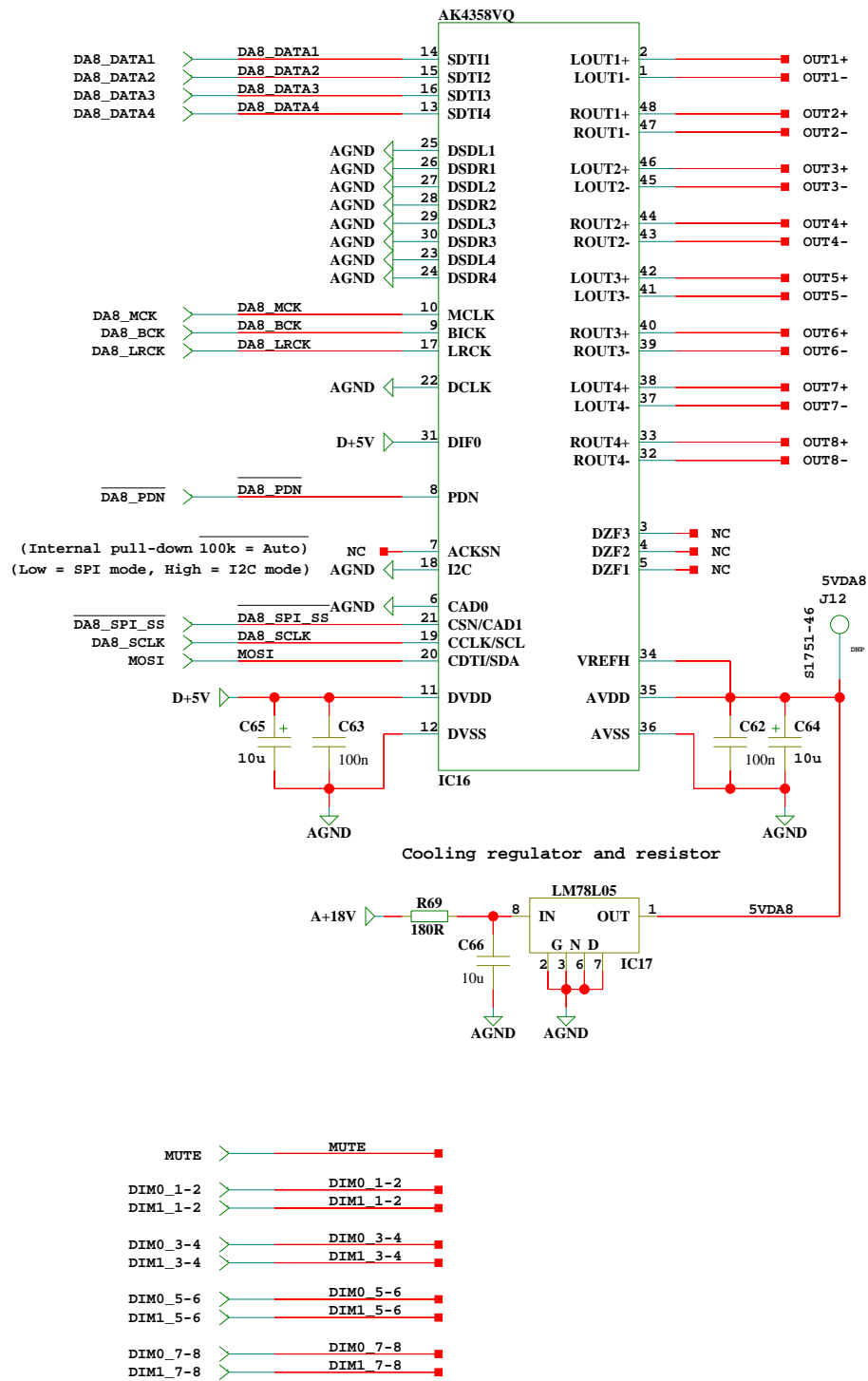
<b>tc electronic</b>		Designer(s)	
HOUSTON ANALOG FRONT-END		CGF/MFA/MC	
Number: P56085		Module title: TOP	
Revision: A		Variant: A	
Date: 04/05/2015:15:42		Version: C	
Filename: P56085-A		Board type: TOKYO I/O	
Page / of: 1 / 9			

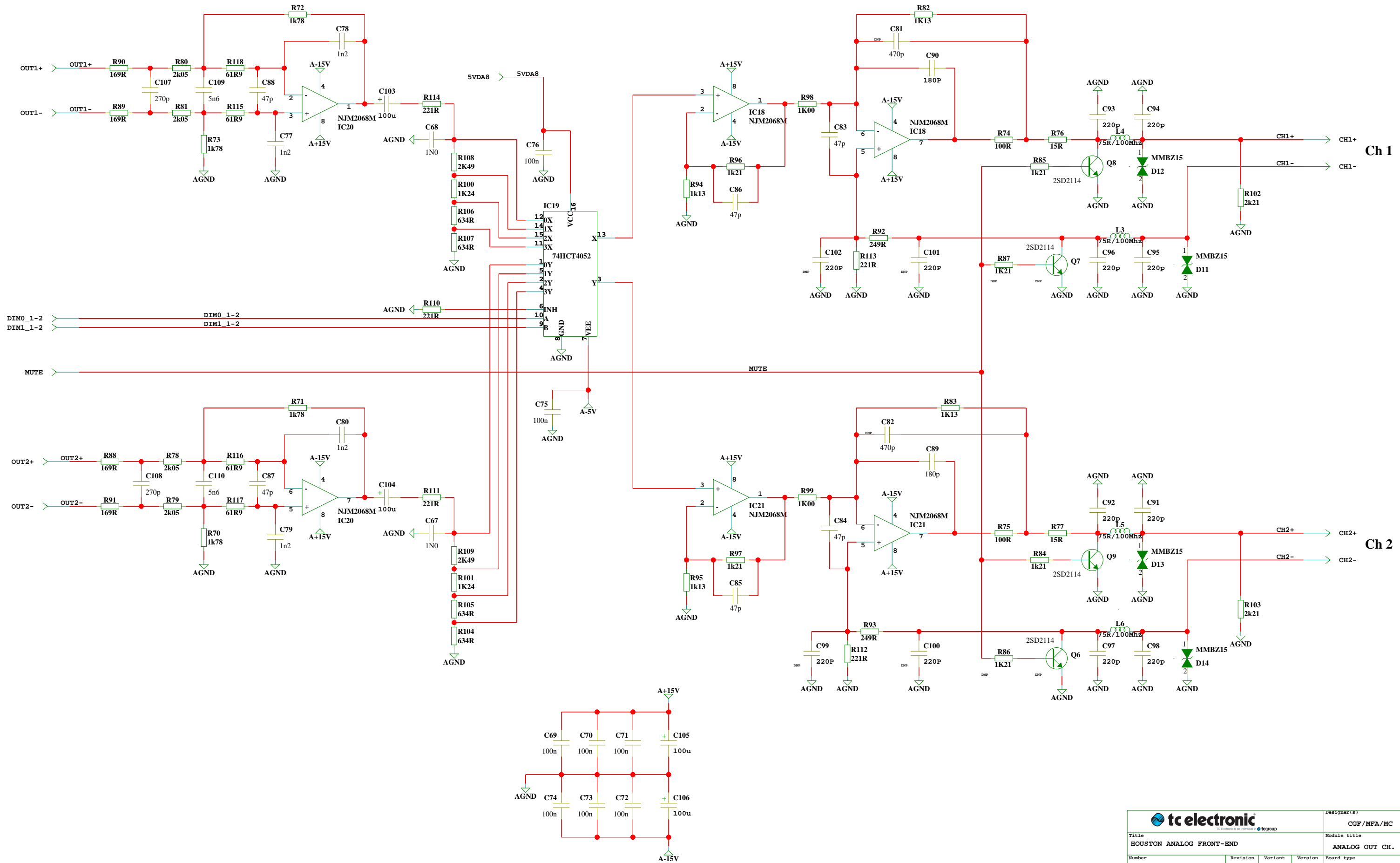


<b>tc electronic</b>		Designer(s)	
HOUSTON ANALOG FRONT-END		CGF/MFA/MC	
P56085		Module title	
04/05/2015:15:42		ANALOG INPUT	
Revision	Variant	Version	Board type
A	A	C	TOKYO I/O
Filename		Page / of	
Analog-in		2 / 9	



		Designer(s)	
		CGF/MFA/MC	
Title		Module title	
HOUSTON ANALOG FRONT-END		ANALOG OUT TOP	
Number	Revision	Variant	Version
P56085	A	A	C
Date	Filename	Board type	
04/05/2015:15:42	Analog-out	TOKYO I/O	
		Page / of	
		3 / 9	

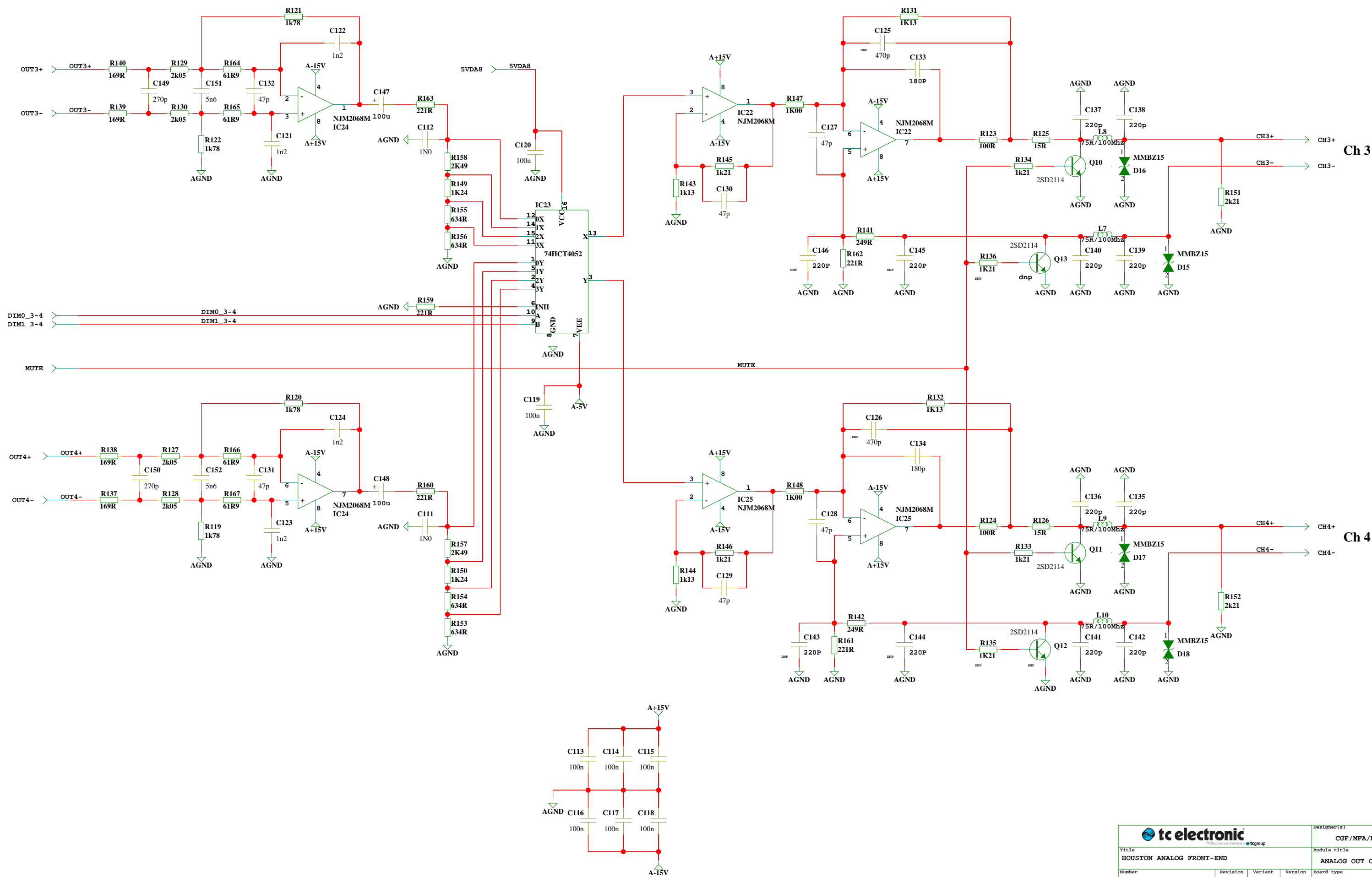




Ch 1

Ch 2

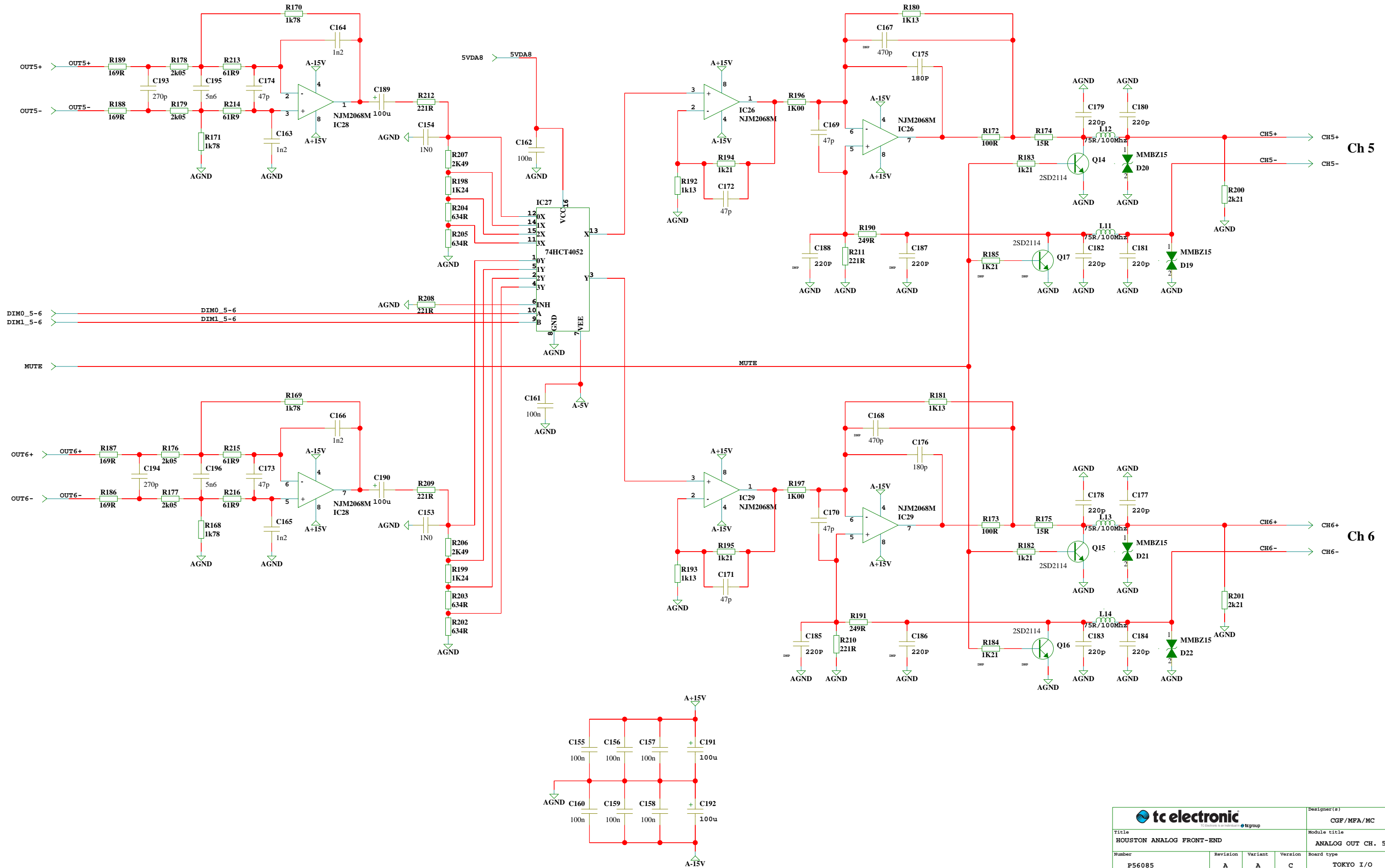
		Designer(s)	
Title		CGF/MFA/MC	
HOUSTON ANALOG FRONT-END		Module title	
ANALOG OUT CH. 1-2		Board type	
Number	Revision	Variant	Version
P56085	A	A	C
Date	Filename	Page / of	
04/05/2015:15:42	Analog-out_1-2	5 / 9	

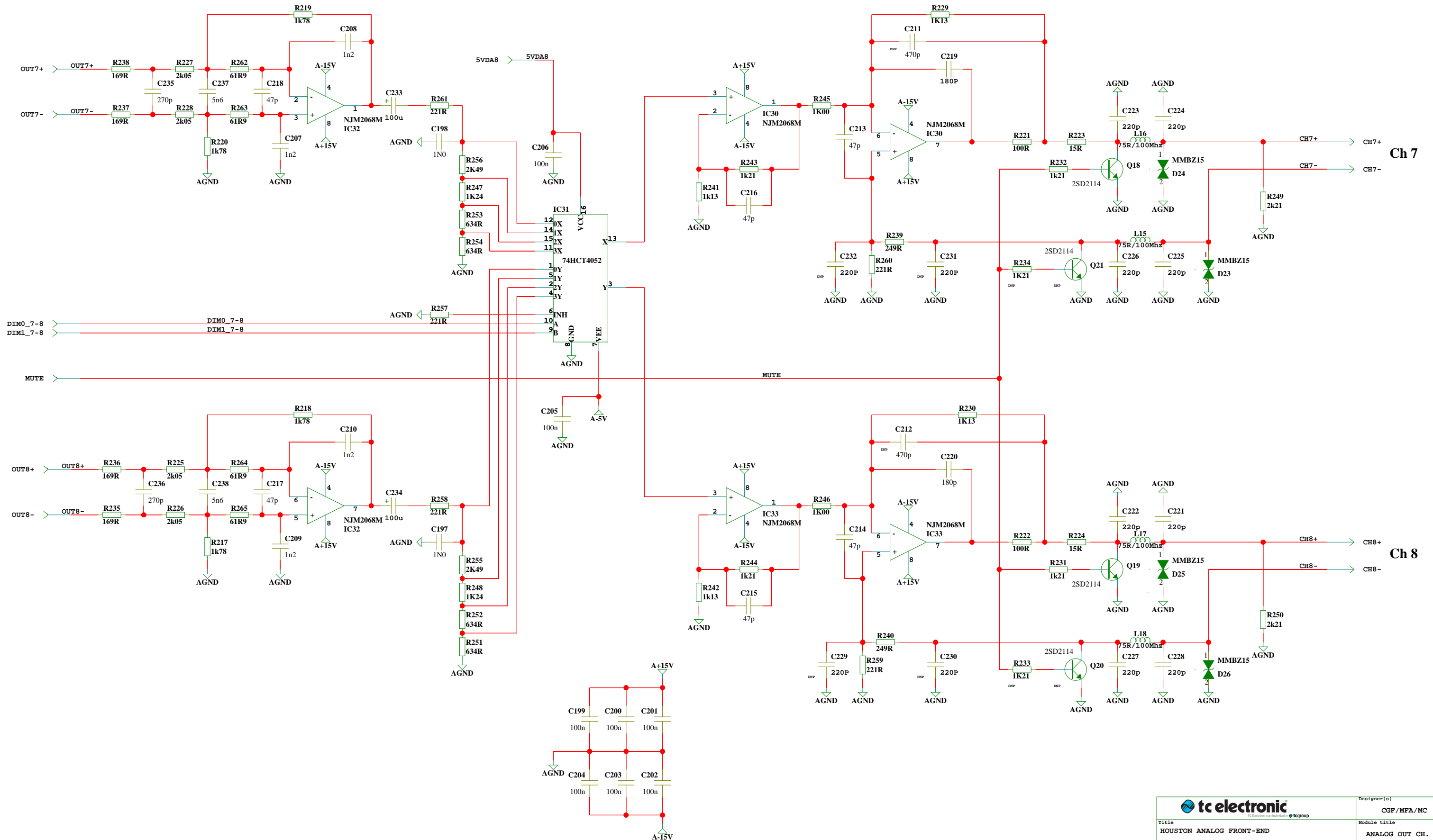


Ch 3

Ch 4

<b>tc electronic</b> <small>TC Electronic is a member of tgroup</small>		Designer(s) CGF/MFA/MC	
Title HOUSTON ANALOG FRONT-END		Module title ANALOG OUT CH. 3-4	
Number P56085	Revision A	Variant A	Version C
Date 04/05/2015:15:42	Filename Analog-out_3-4		Board type TOKYO I/O
			Page / of 6 / 9



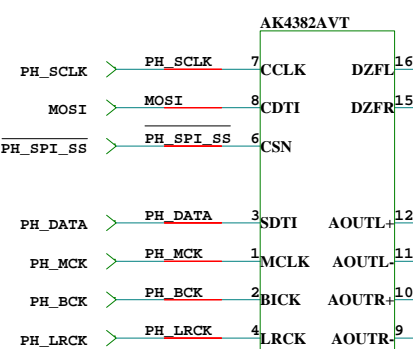
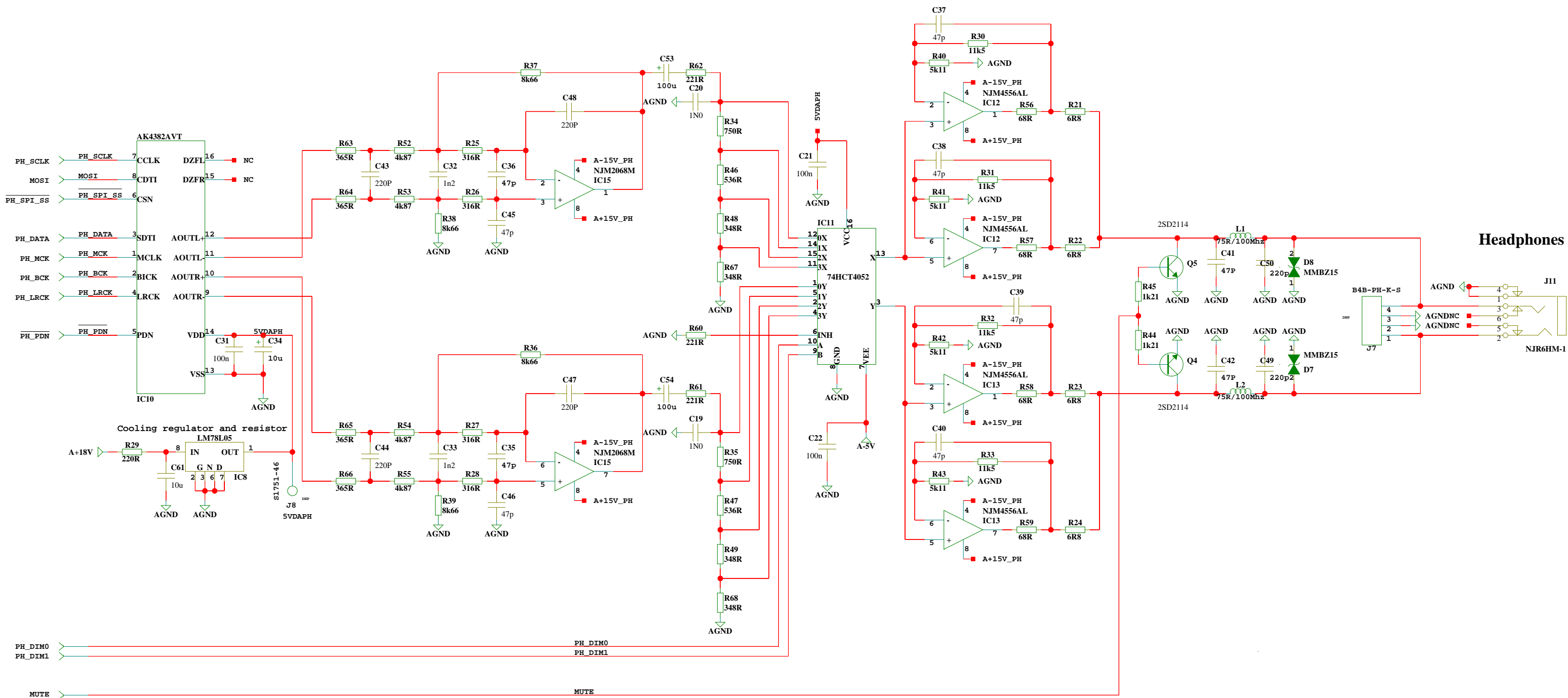


Ch 7

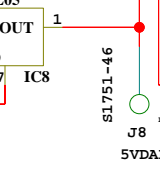
Ch 8

<b>tc electronic</b> <small>TC Electronic is an American + tgroup</small>		Designer(s) CGF/MFA/MC	
Title HOUSTON ANALOG FRONT-END		Module title ANALOG OUT CH. 7-8	
Number P56085	Revision A	Variant A	Version C
Date 04/05/2015:15:42	Filename Analog-out_7-8		Page / of 8 / 9

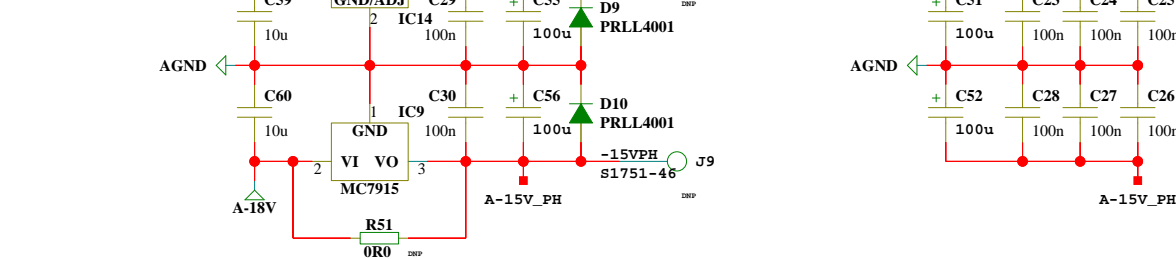




Cooling regulator and resistor



Cooling regulators



<b>tc electronic</b>		Designer(s)	
HOUSTON ANALOG FRONT-END		CGF/MFA/MC	
Number		Module title	
P56085		HEADPHONES OUT	
Date		Board type	
04/05/2015:15:42		TOKYO I/O	
Filename		Page / of	
Headphones		9 / 9	