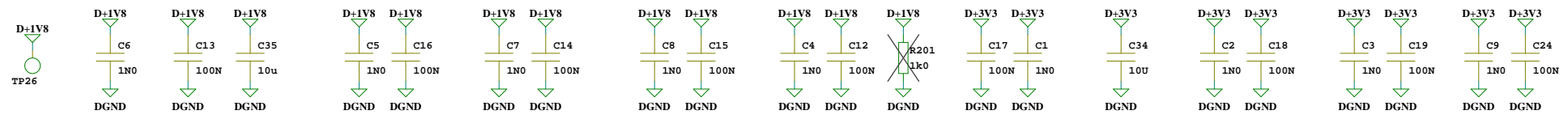
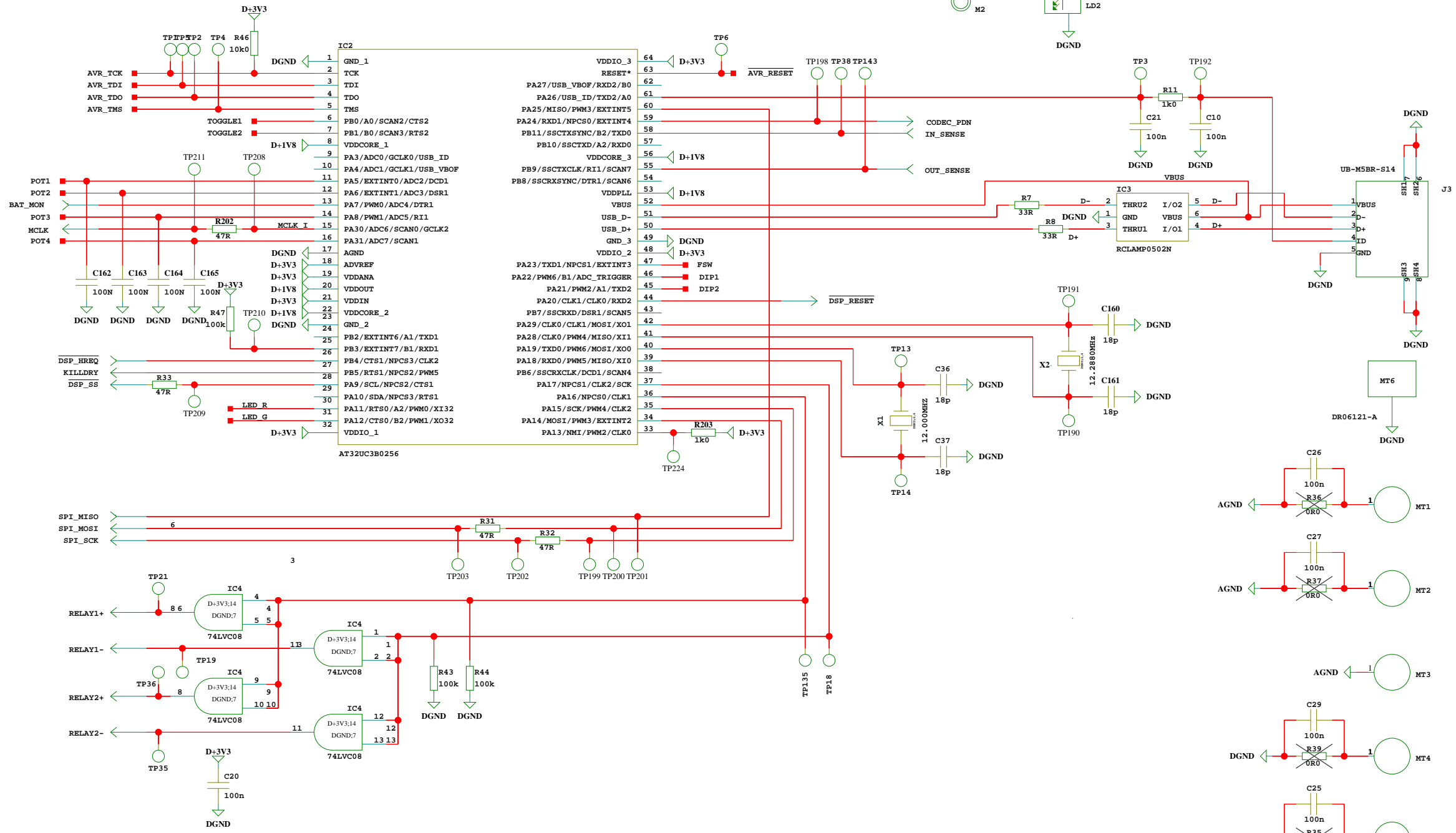
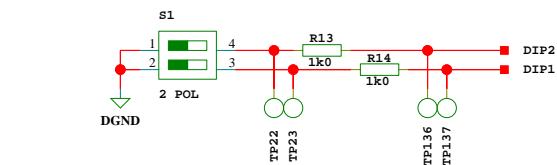
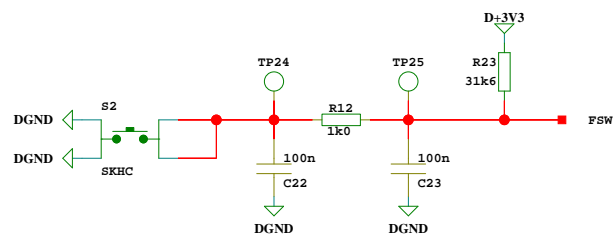
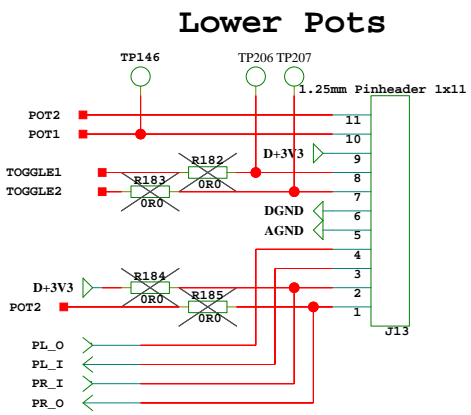
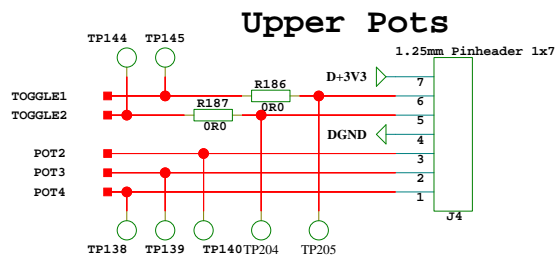
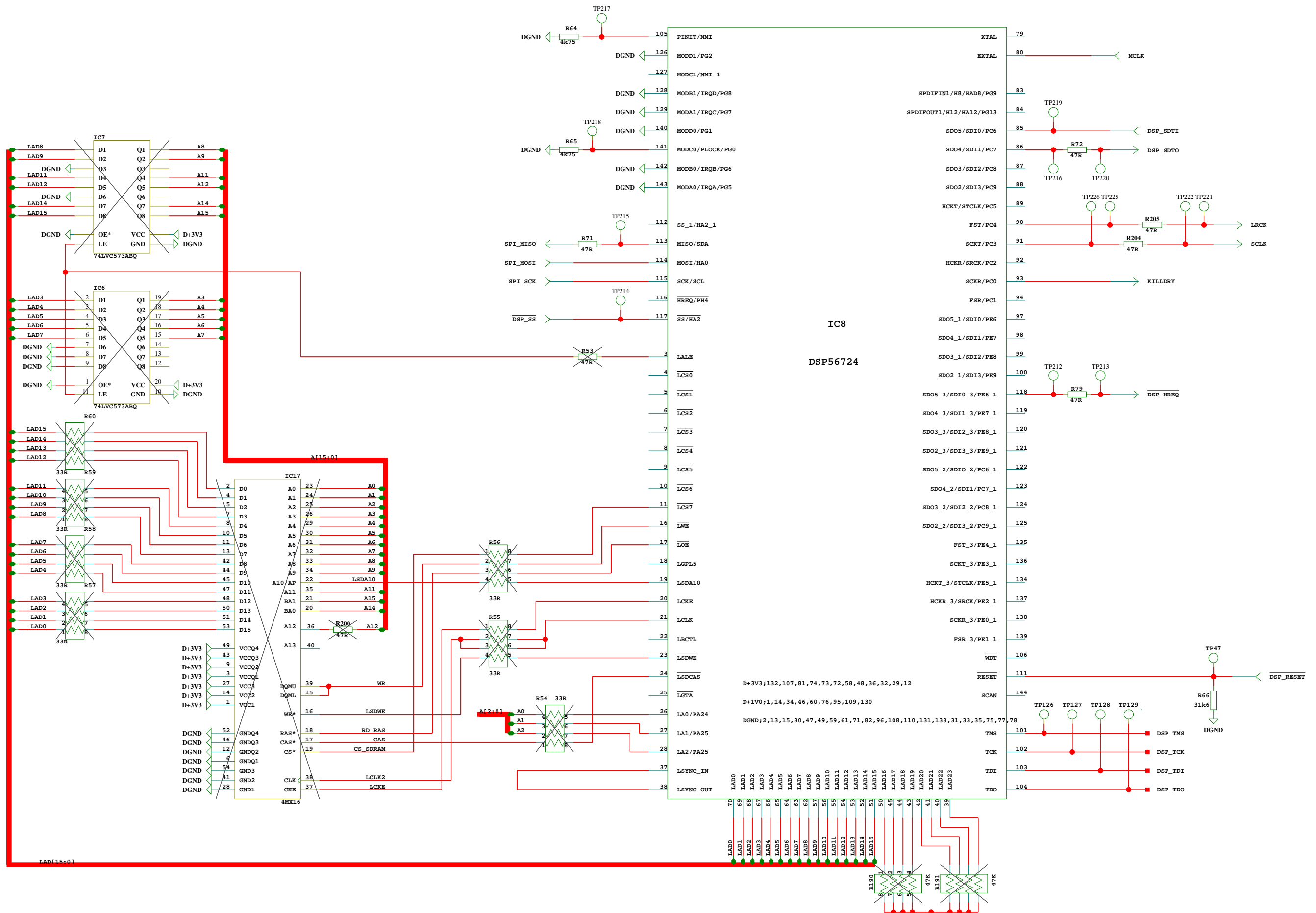


M1
P22381-D
PCB

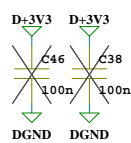
		Designer(s) HJE/PRO		
Title CORONA (1096-ERIK)		Module title MODULE TITLE		
Number P22381	Revision D	Variant C	Version A	Board type MAINBOARD
Date 13/09/2013:15:18	Filename P22381-D	Page / of 1 / 5		



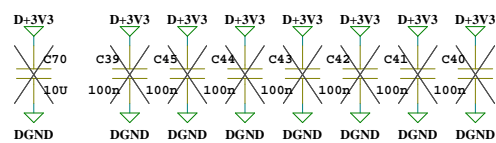
tc electronic		Designer(s)	
CORONA (1096-ERIK)		HJE/PRO	
F22381		Module title	
Revision D		MODULE TITLE	
Variant C		Board type	
Version A		MAINBOARD	
Date	Filename	Page / of	
13/09/2013:15:18	uc_and_connects	2 / 5	



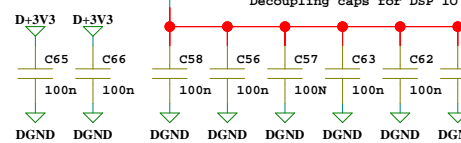
Decoupling caps for Latch



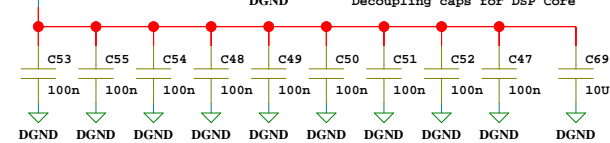
Decoupling caps for SDRAM



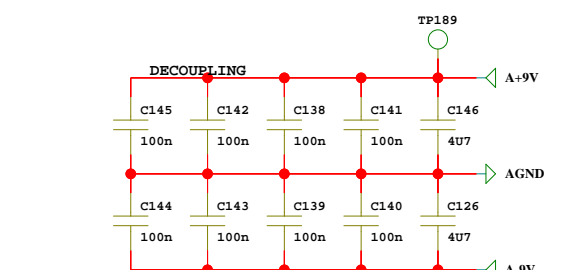
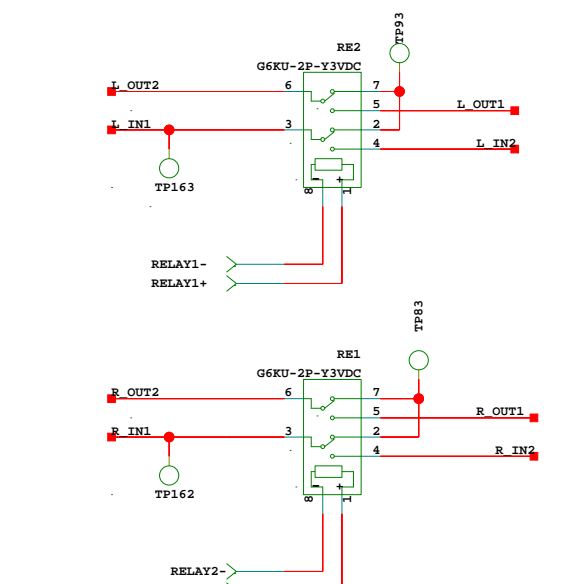
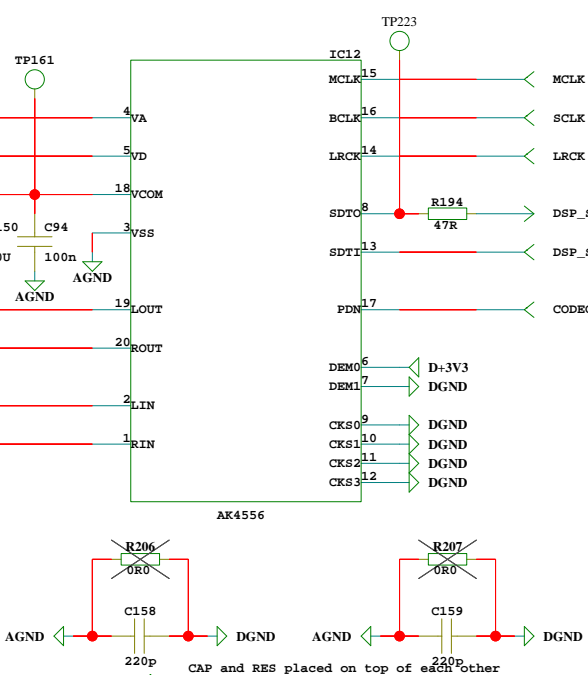
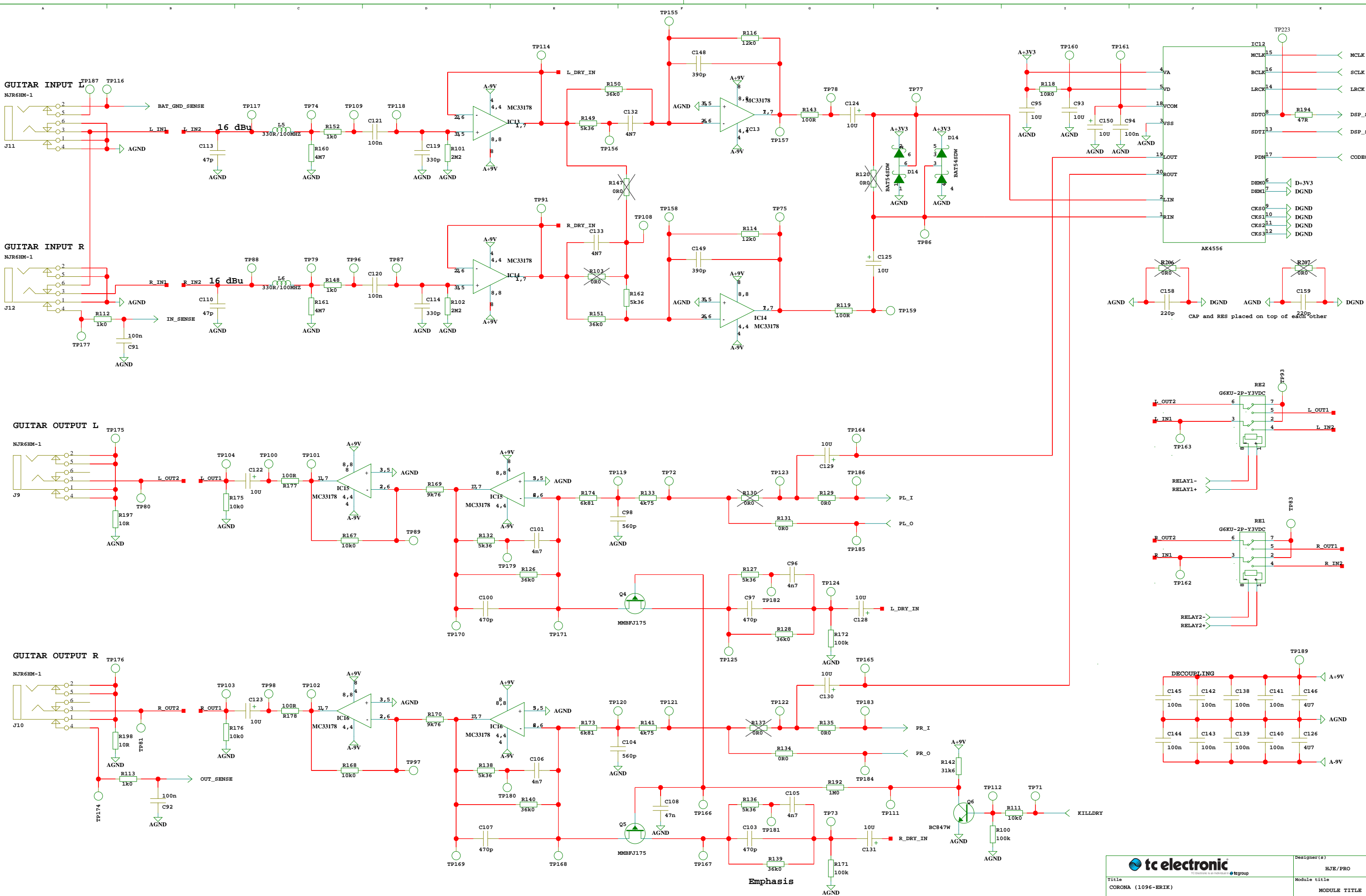
Decoupling caps for DSP IO



Decoupling caps for DSP Core



		Designer(s)		
		HJE/PRO		
Title		Module title		
CORONA (1096-ERIK)		MODULE TITLE		
Number	Revision	Variant	Version	Board type
F22381	D	C	A	MAINBOARD
Date	Filename	Page / of		
13/09/2013:15:18	dsp724	3 / 5		



Emphasis

				Designer(s)	HJE/PRO
Title CORONA (1096-ERIK)				Module title MODULE TITLE	
Number P22381	Revision D	Variant C	Version A	Board type MAINBOARD	
Date 13/09/2013:15:18	Filename analog			Page / of 4 / 5	

