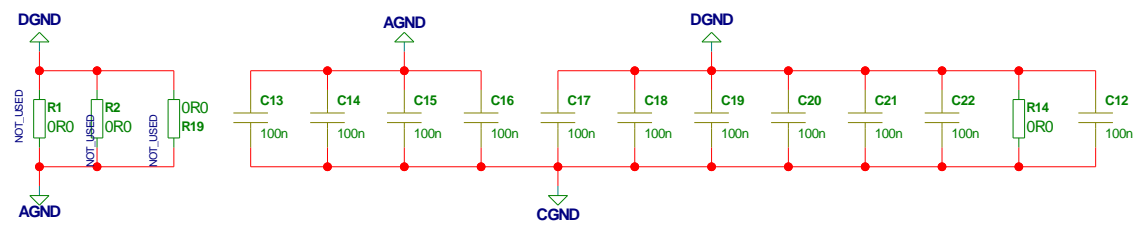
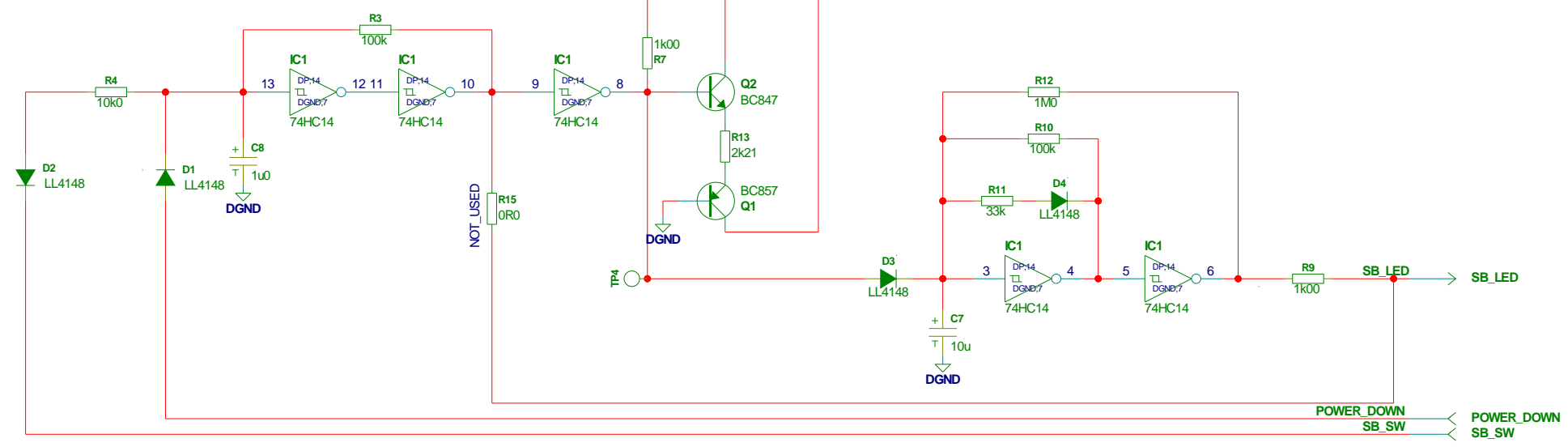
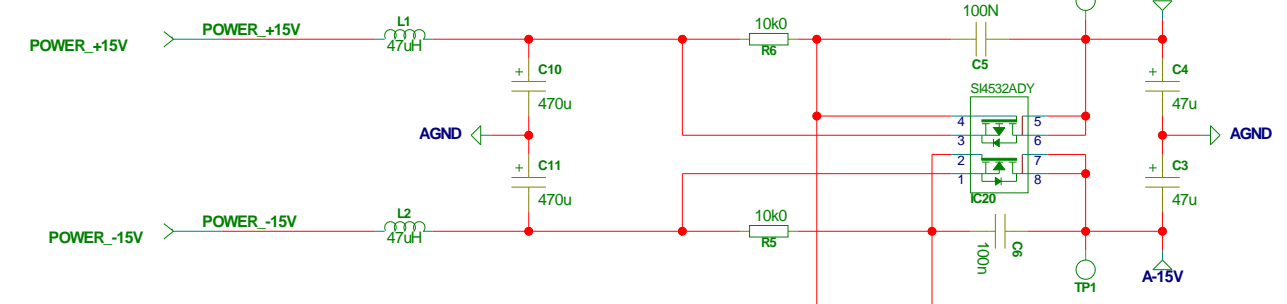
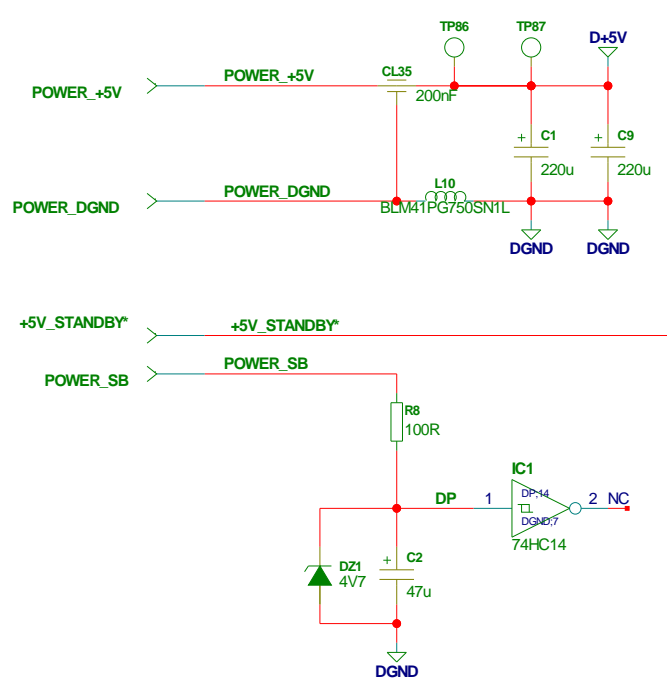
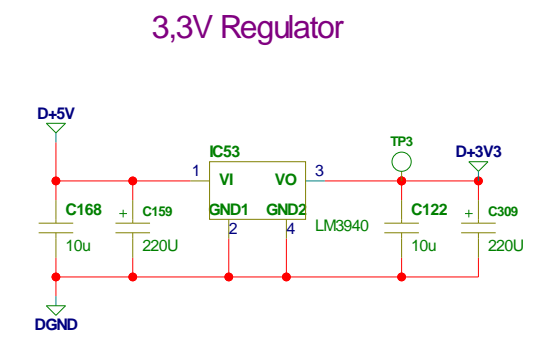
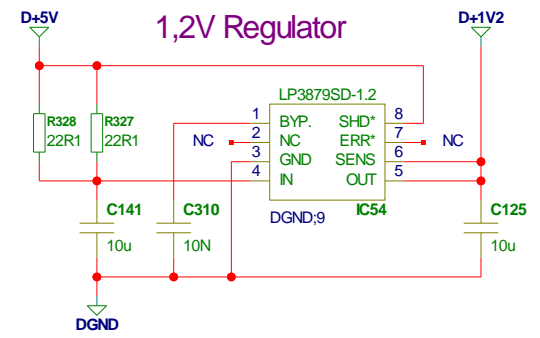
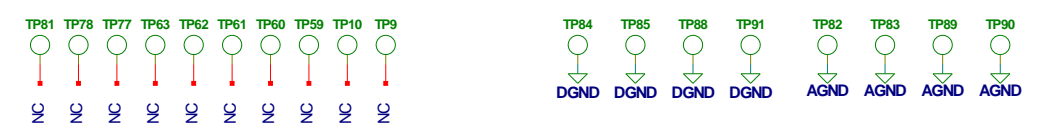


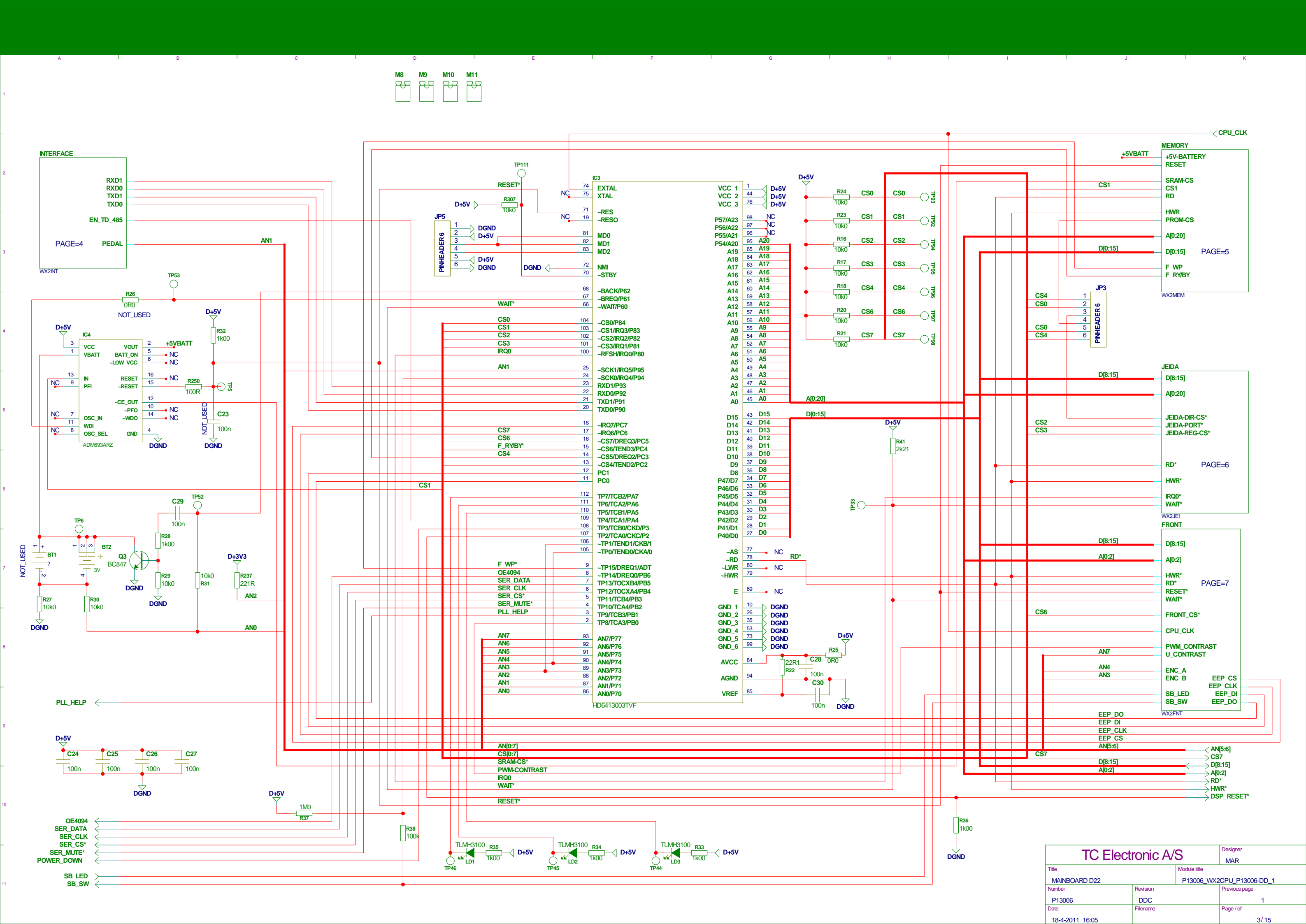
TC Electronic A/S		Designer MAR
Title MAINBOARD D22		Module title P13006-D_P13006-DD
Number P13006	Revision DDC	Previous page 1
Date 19-4-2011_11:23	Filename	Page / of 1 / 15

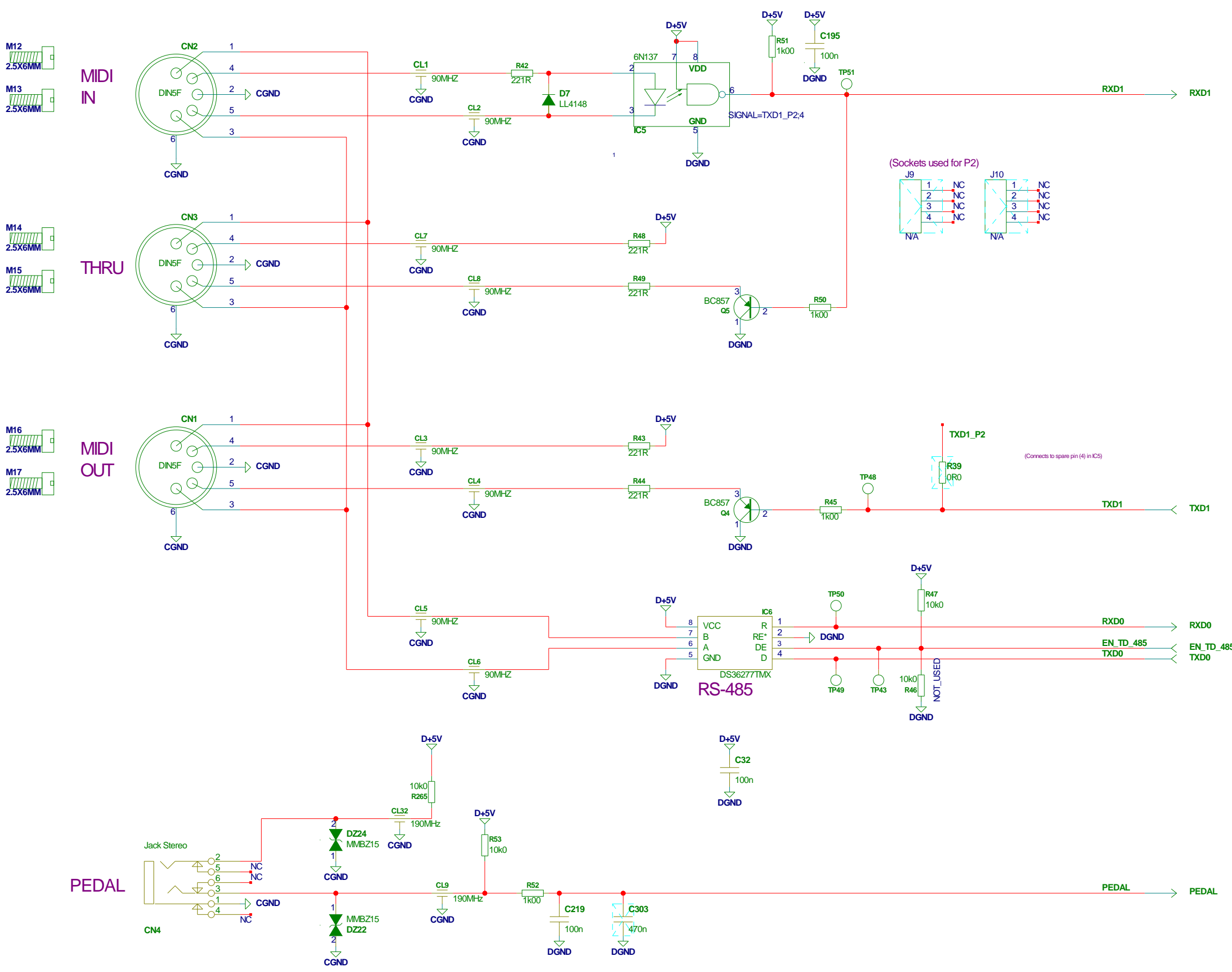


Unused Testpoints



TC Electronic A/S		Designer MAR
Title MAINBOARD D22	Module title P13006_WX2POW_P13006-DD_1	
Number P13006	Revision DDC	Previous page 1
Date 18-4-2011_15:55	Filename	Page / of 2 / 15





MIDI IN

THRU

MIDI OUT

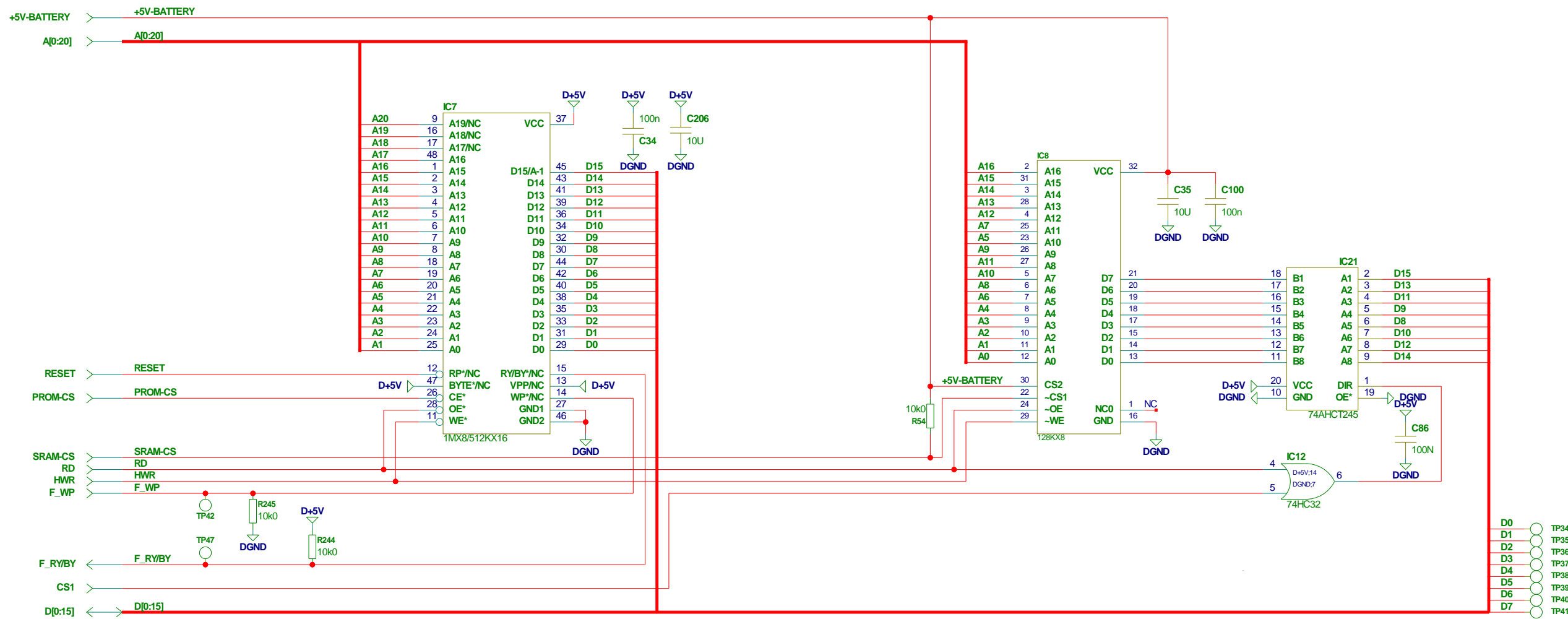
PEDAL

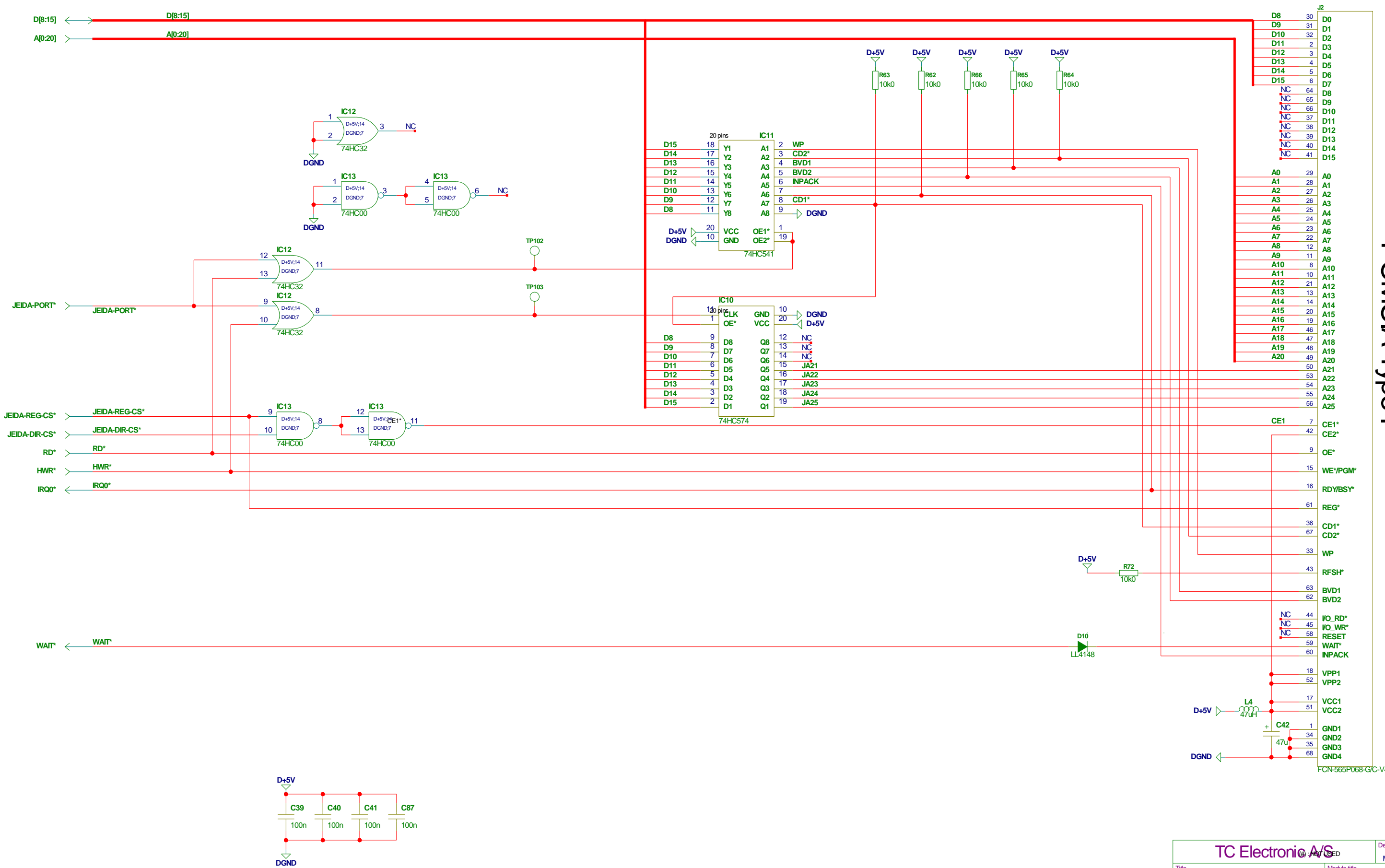
TC Electronic A/S

Title: MAINBOARD D22
 Module title: P13006_WX2INT_P13006-DD_1

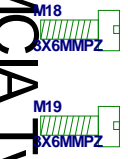
Number: P13006
 Revision: DDC
 Designer: MAR

Date: 18-4-2011_16:05
 Filename: P13006_WX2INT_P13006-DD_1
 Previous page: 3
 Page / of: 4 / 15



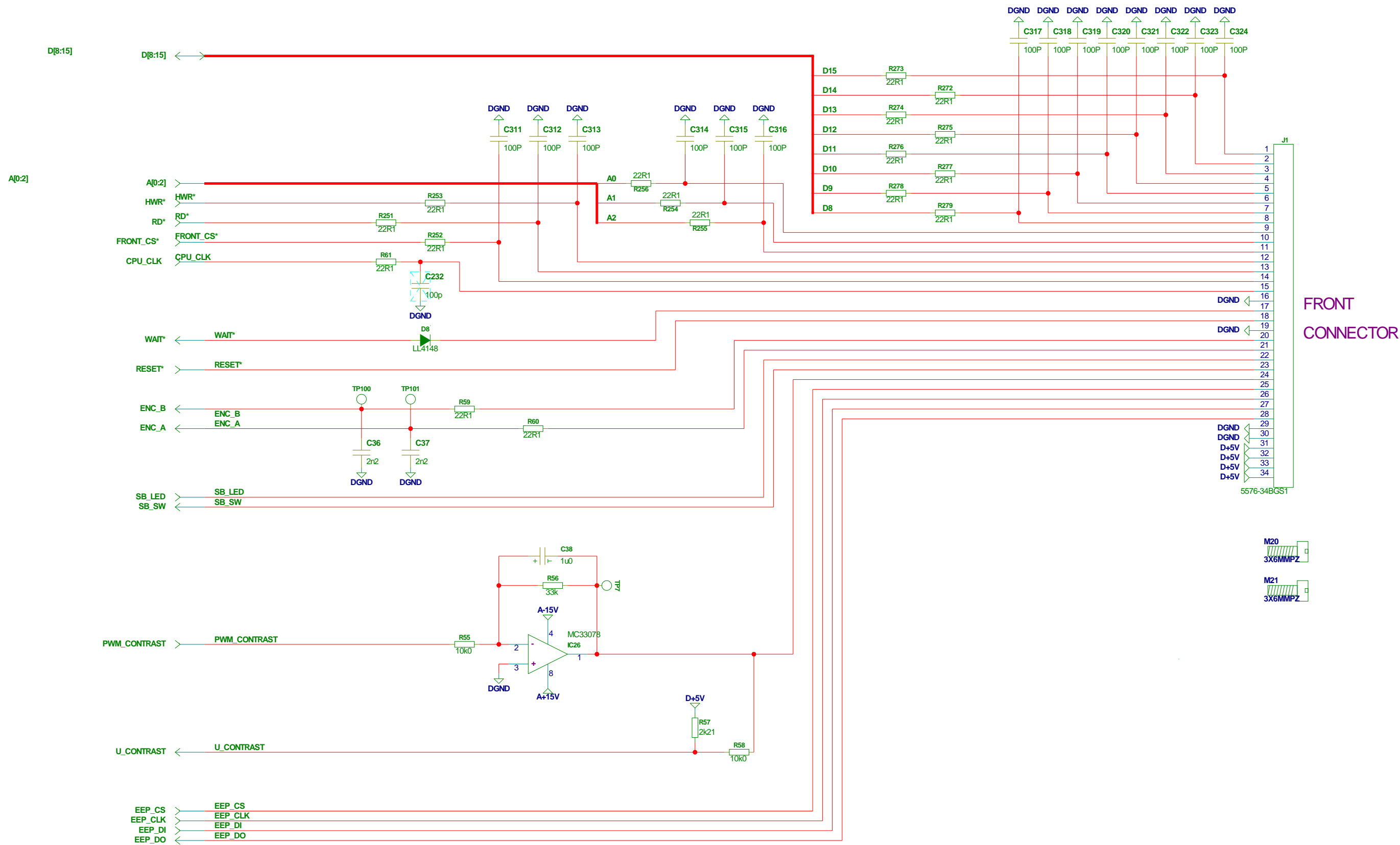


PCMCIA Type I

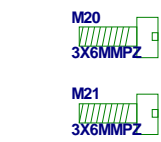


FCN-565P068-GC-V4

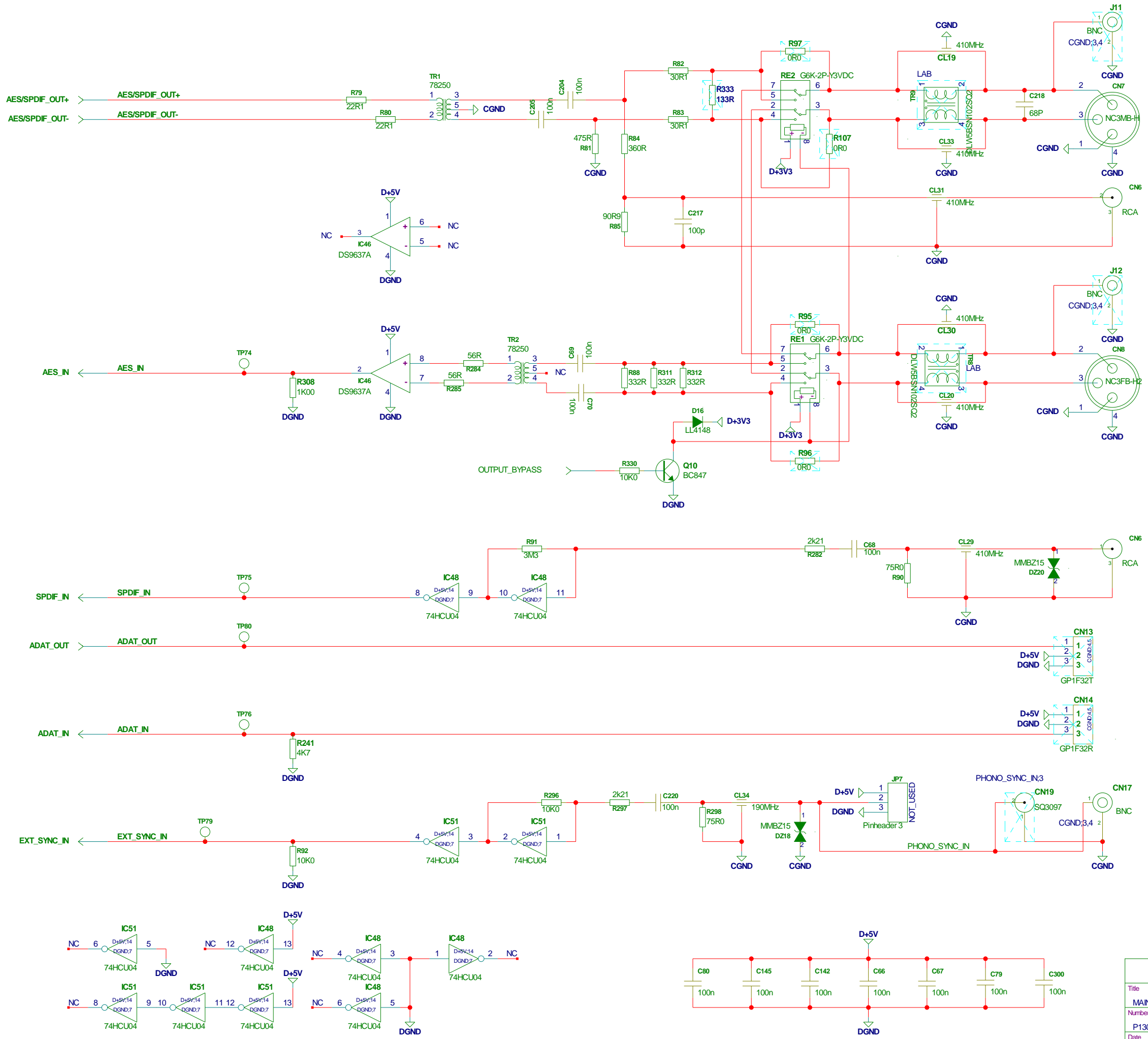
TC Electronic AS		Designer MAR
Title MAINBOARD D22		Module title P13006_WX2JEL_P13006-DD_1
Number "DBMX MAIN BOARD" P13006	Revision DDC	Previous page 3
Date 18-4-2011_16:06	Filename	Page / of 6 / 15



FRONT
CONNECTOR



TC Electronic A/S		Designer MAR
Title MAINBOARD D22	Module title P13006_WX2FNT_P13006-DD_1	
Number P13006	Revision DDC	Previous page 3
Date 18-4-2011_16:06	Filename	Page / of 7 / 15



Optional AES3id
BNC OUT

AES/EBU
XLR OUT

S/PDIF
RCA PHONO OUT

Optional AES3id
BNC IN

AES/EBU
XLR IN

S/PDIF
RCA PHONO IN

ADAT
OPTO OUT

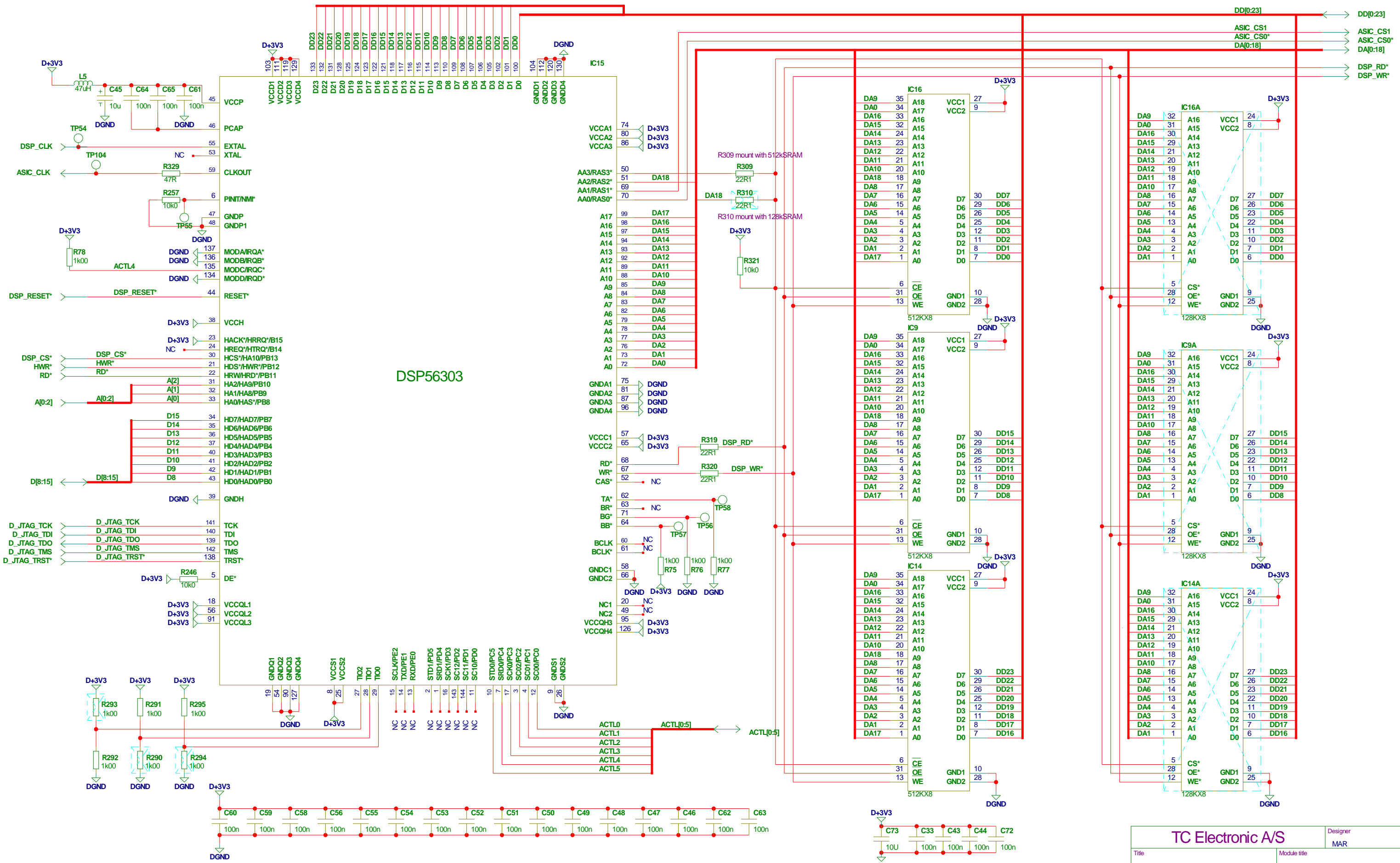
ADAT
OPTO IN

SYNC IN

TC Electronic A/S		Designer MAR
Title MAINBOARD D22		Module title P13006_WX2DGL_P13006-DD_1
Number P13006	Revision DDC	Previous page 1
Date 18-4-2011_16:07	Filename	Page / of 8 / 15

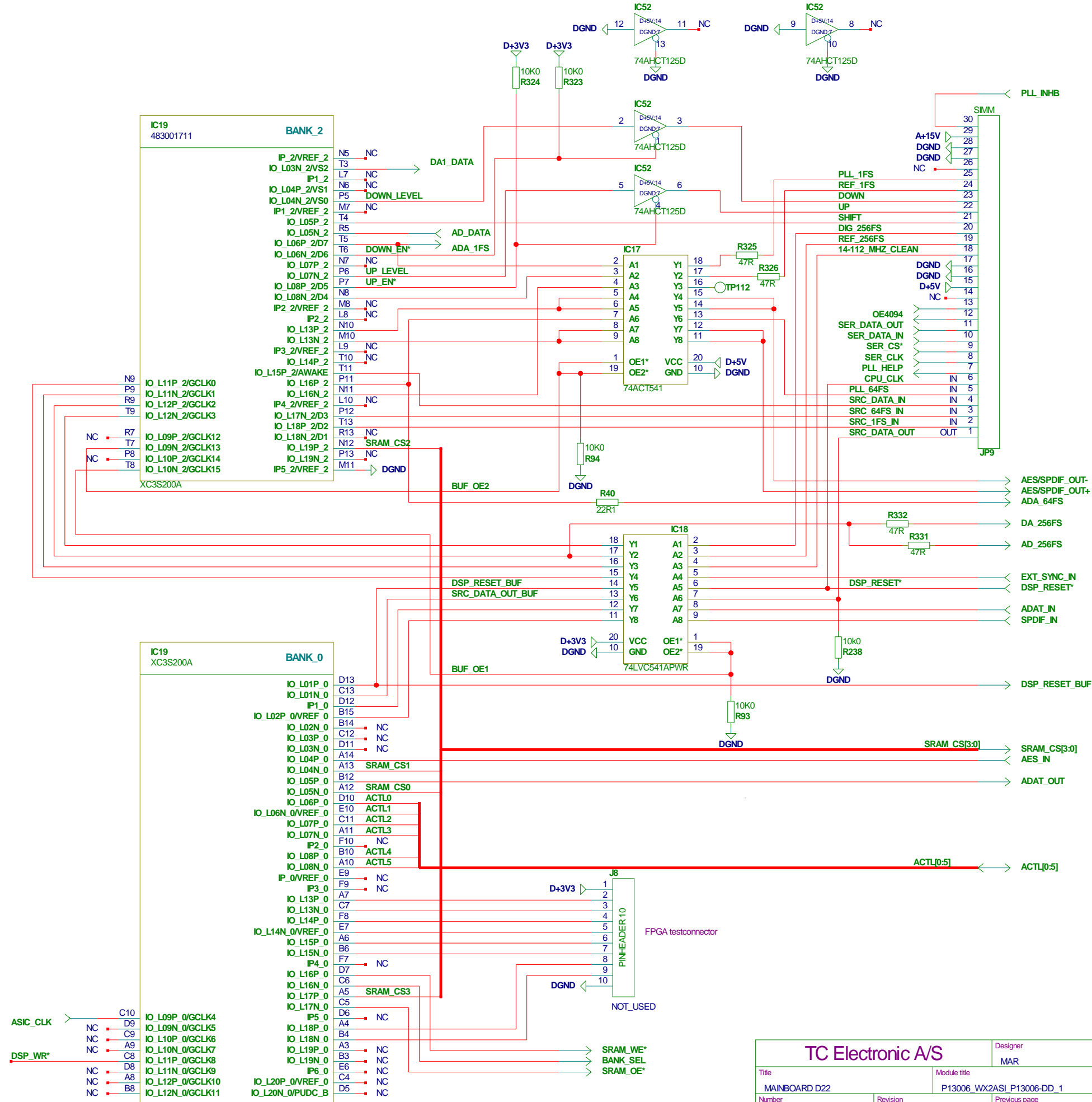
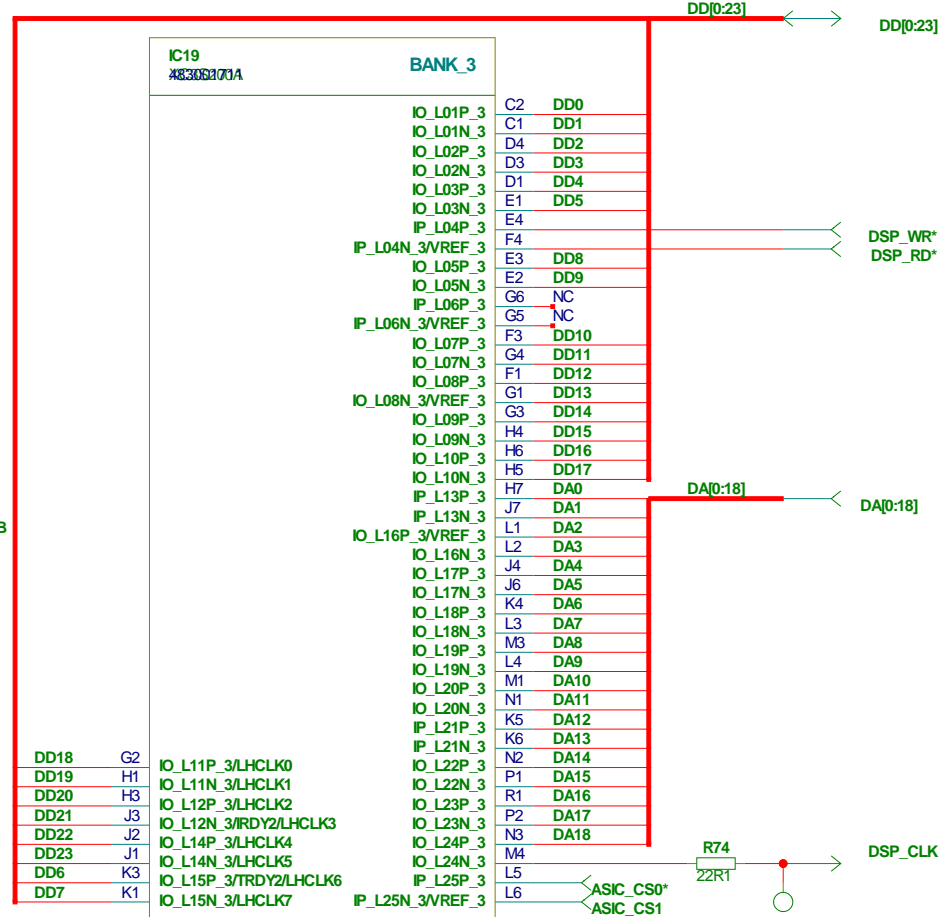
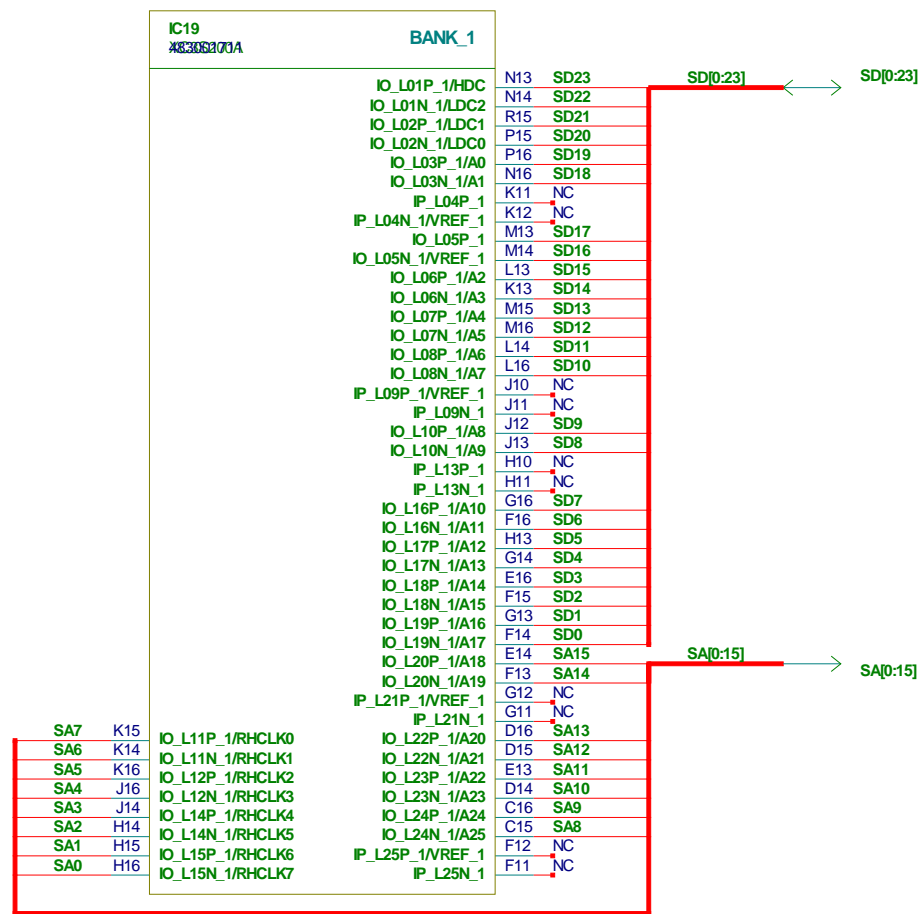
512k SRAM option

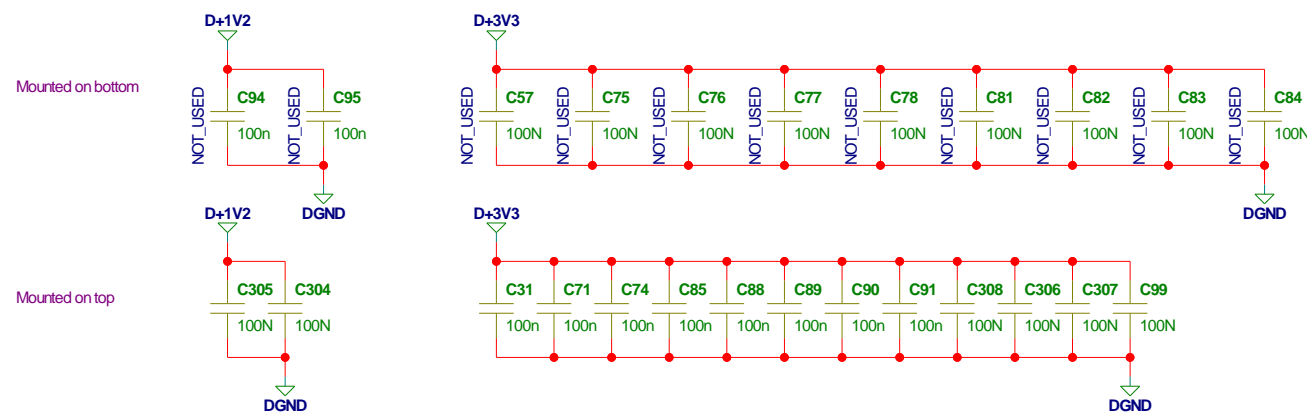
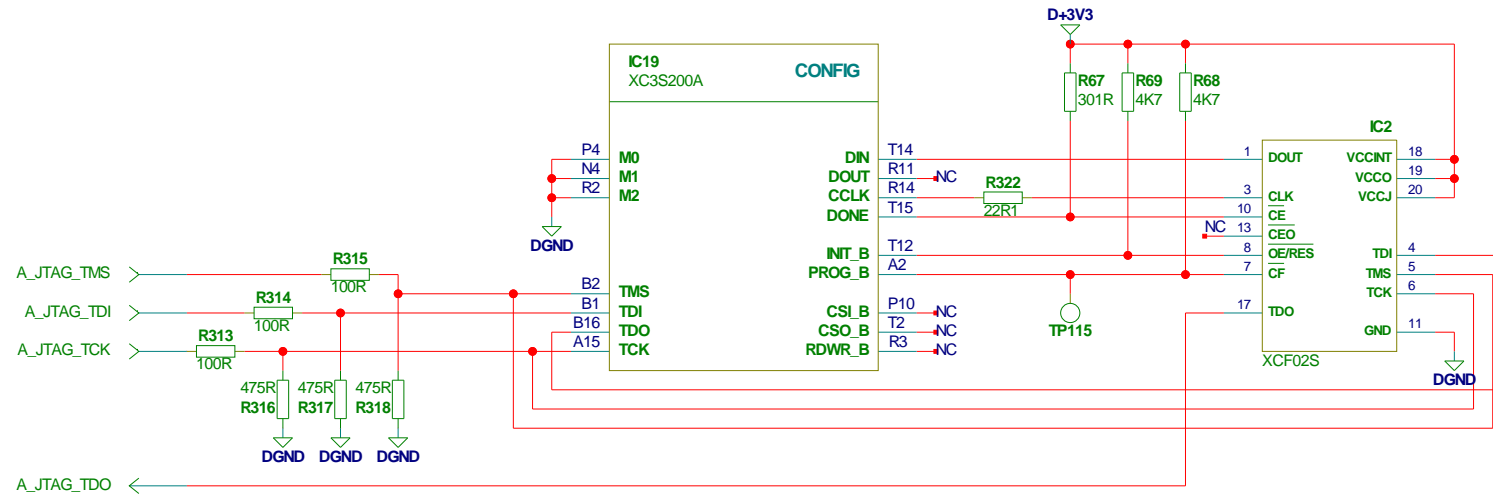
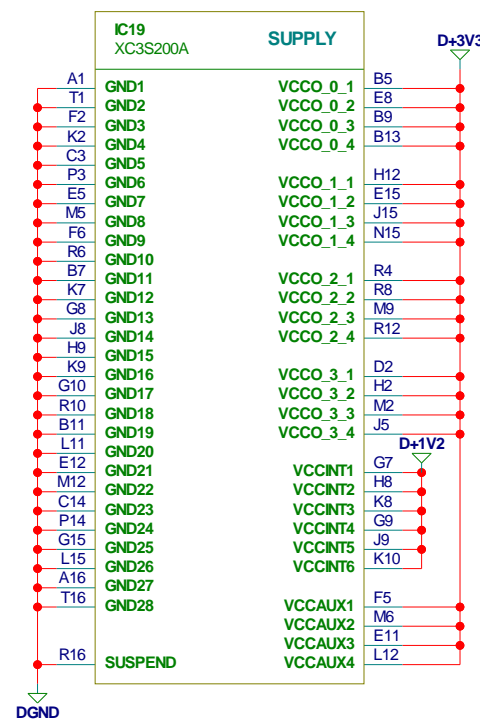
128k SRAM option

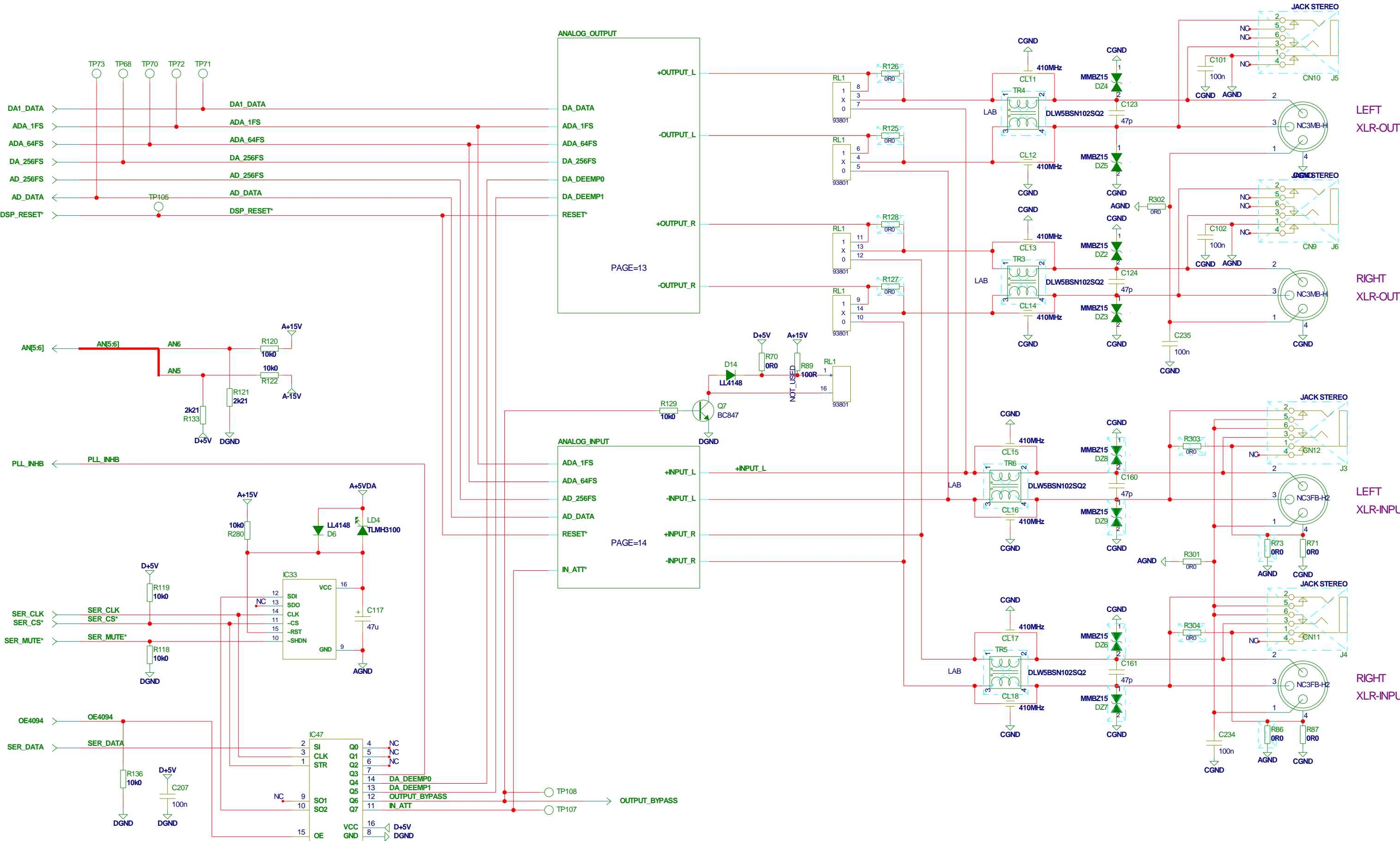


DSP56303

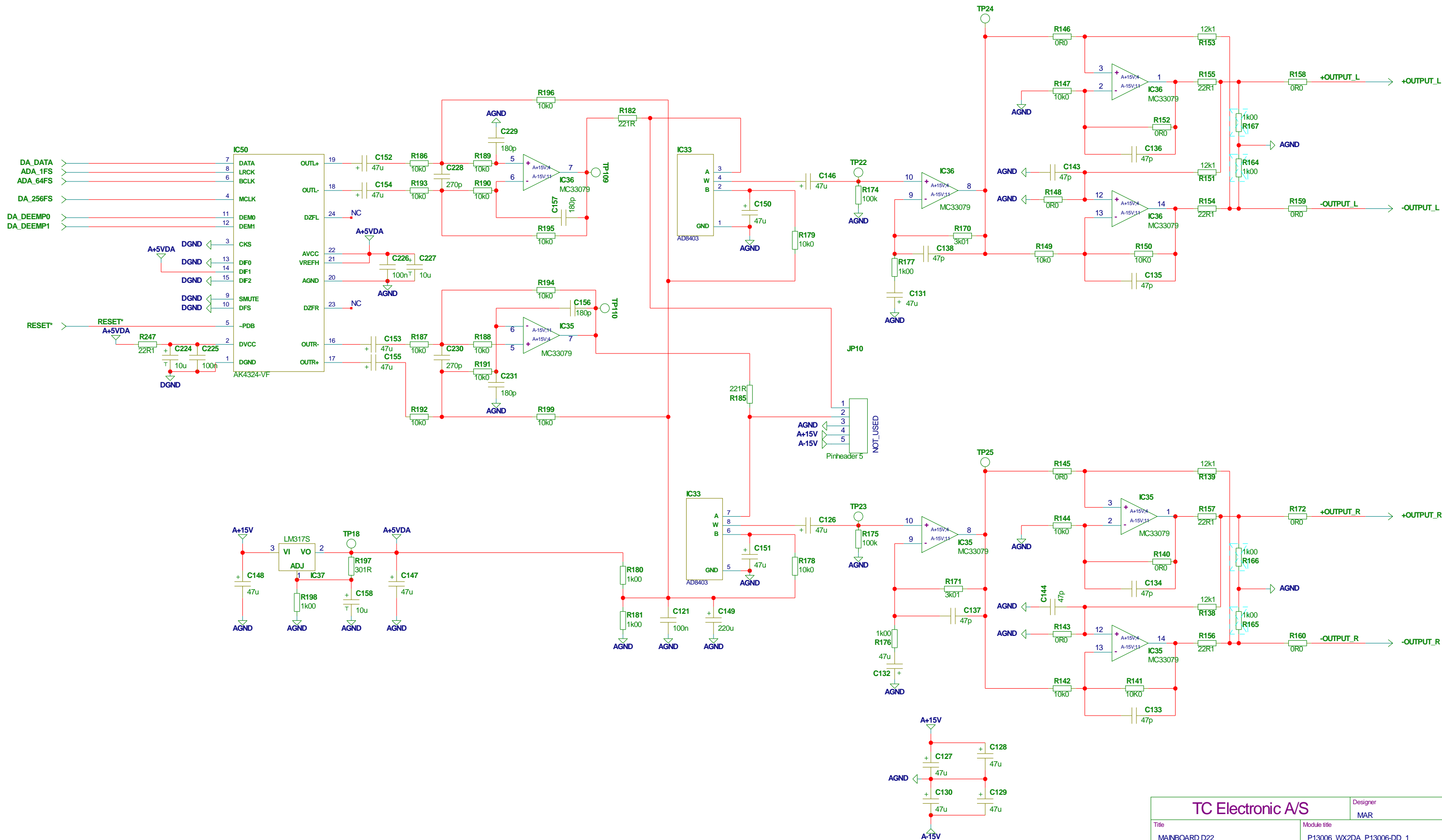
TC Electronic A/S		Designer
Title MAINBOARD D22		MAR
Module title P13006_WX2DSP_P13006-DD_1		
Number P13006	Revision DDC	Previous page 1
Date 18-4-2011_16:07	Filename	Page / of 9 / 15



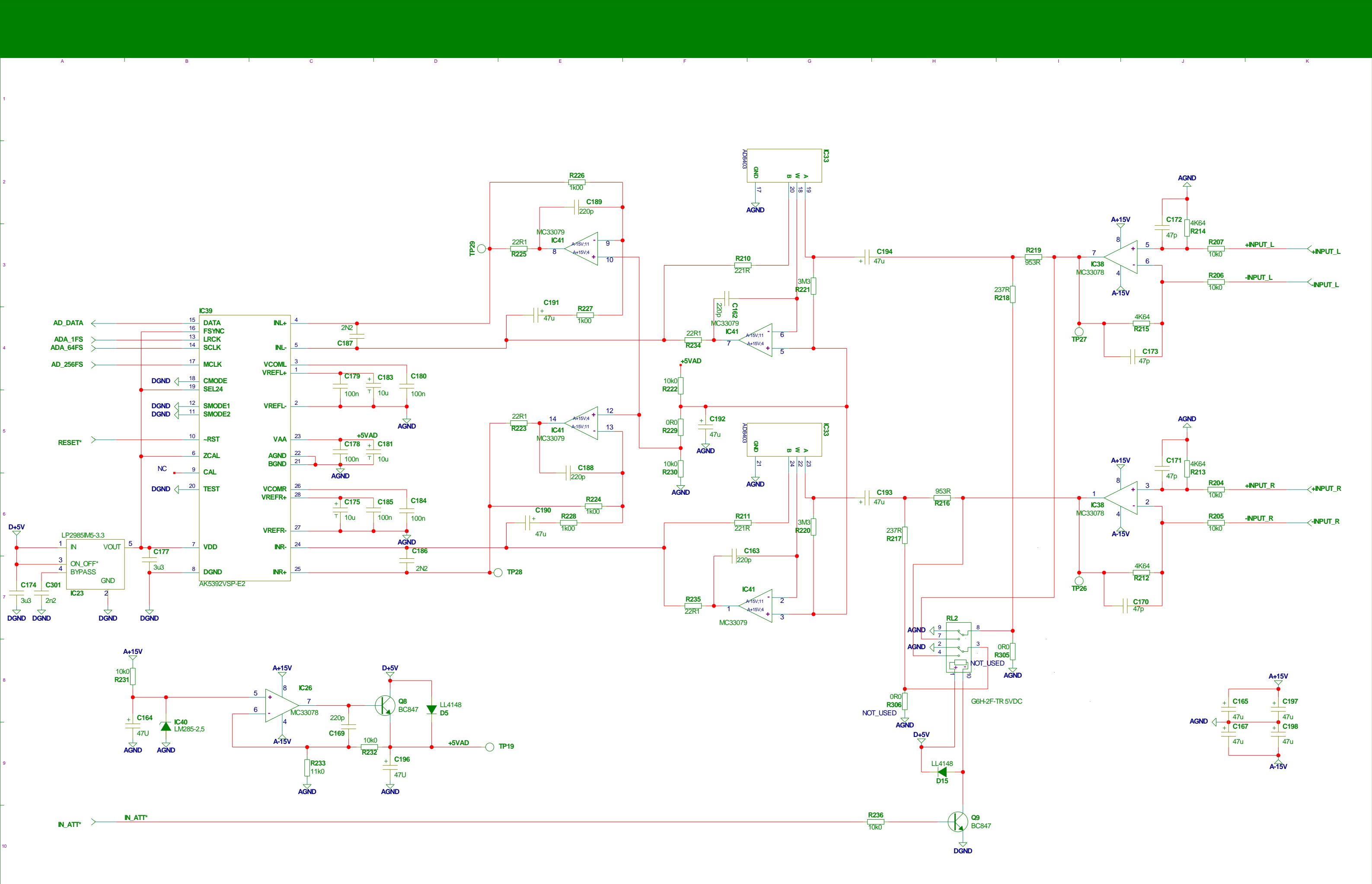




TC Electronic A/S		Designer MAR
Title MAINBOARD D22	Module title P13006_WX2ADA_P13006-DD_1	
Number P13006	Revision DDC	Previous page 1
Date 18-4-2011_16:08	Filename	Page / of 12 / 15



TC Electronic A/S		Designer
Title		MAR
MAINBOARD D22		Module title
P13006		P13006_WX2DA_P13006-DD_1
Number	Revision	Previous page
P13006	DDC	12
Date	Filename	Page / of
18-4-2011_16:08		13 / 15



TC Electronic A/S		Designer MAR
Title MAINBOARD D22		Module title P13006_WX2AD_P13006-DD_1
Number P13006	Revision DDC	Previous page 12
Date 18-4-2011_16:09	Filename	Page / of 14 / 15

