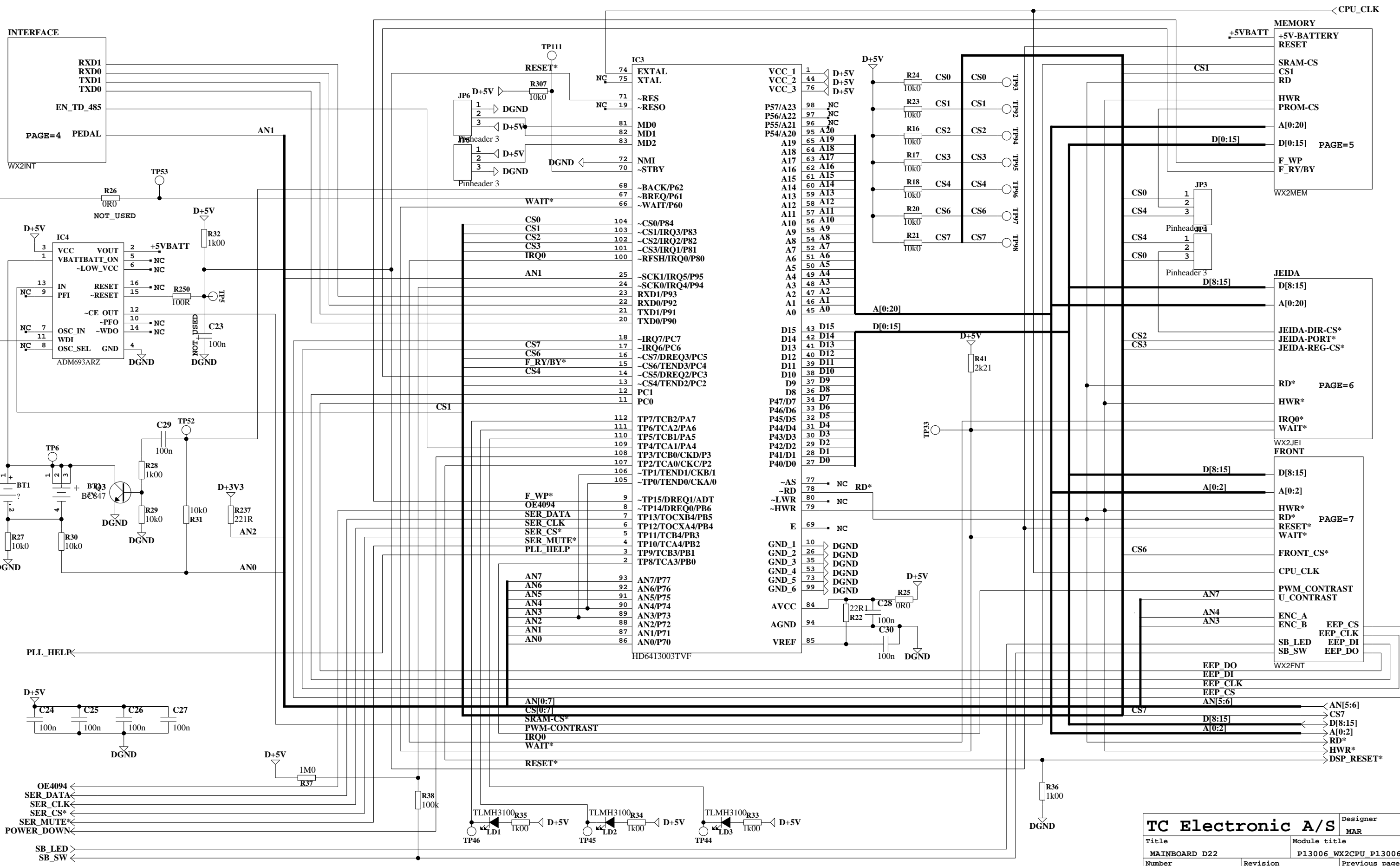
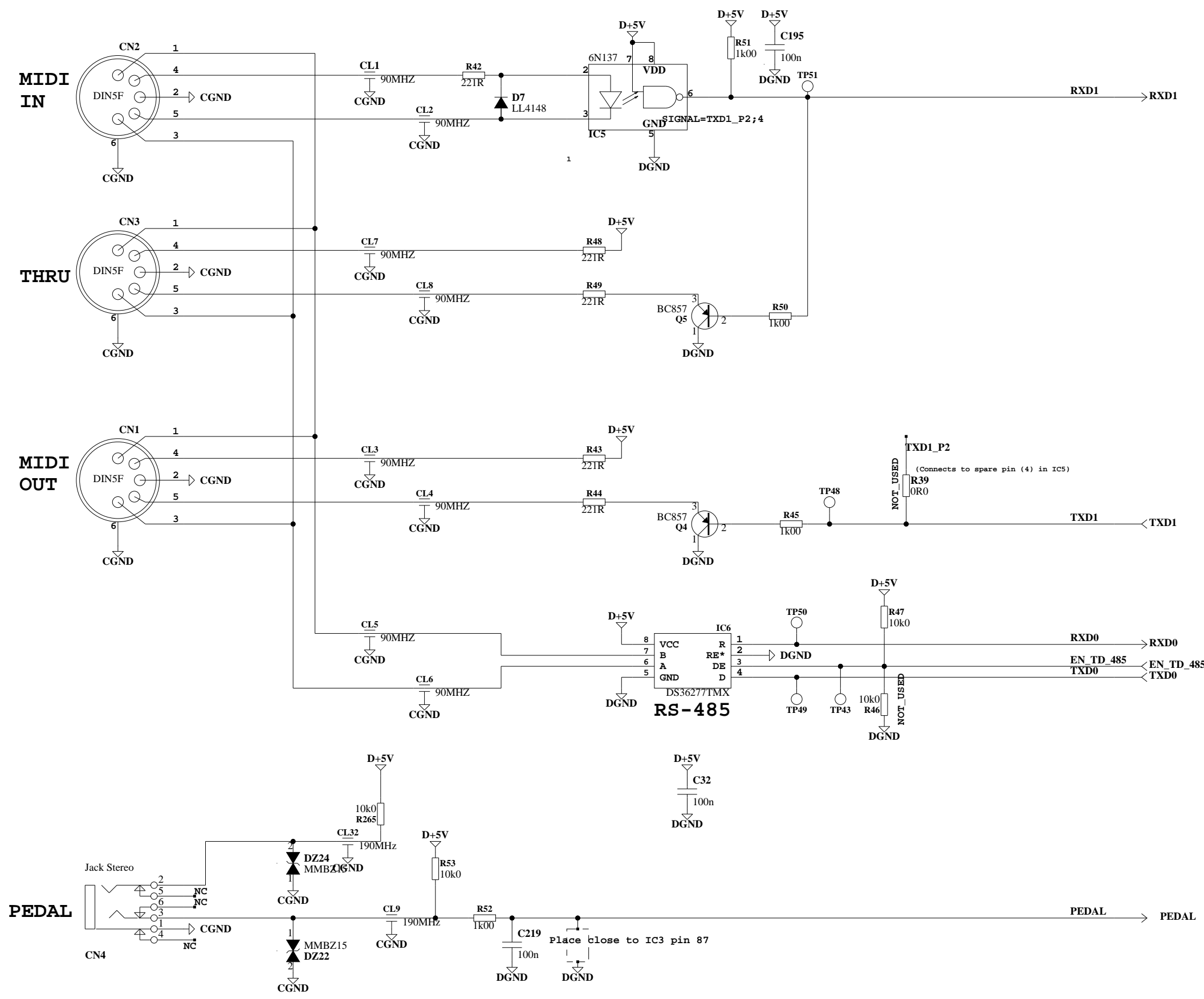
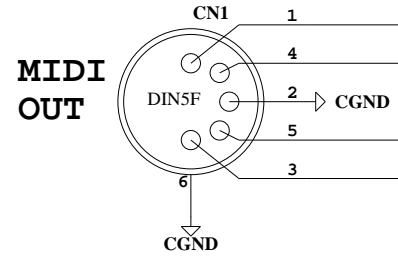
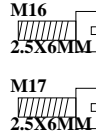
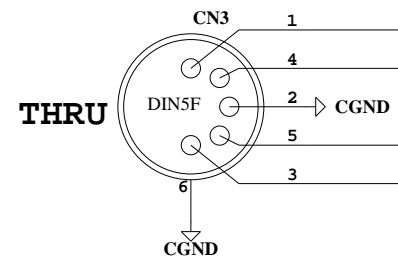
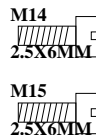
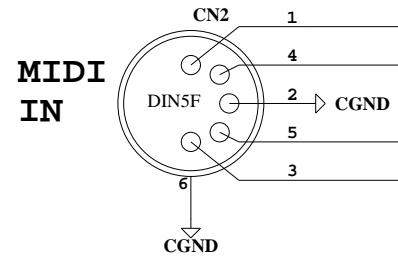
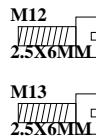


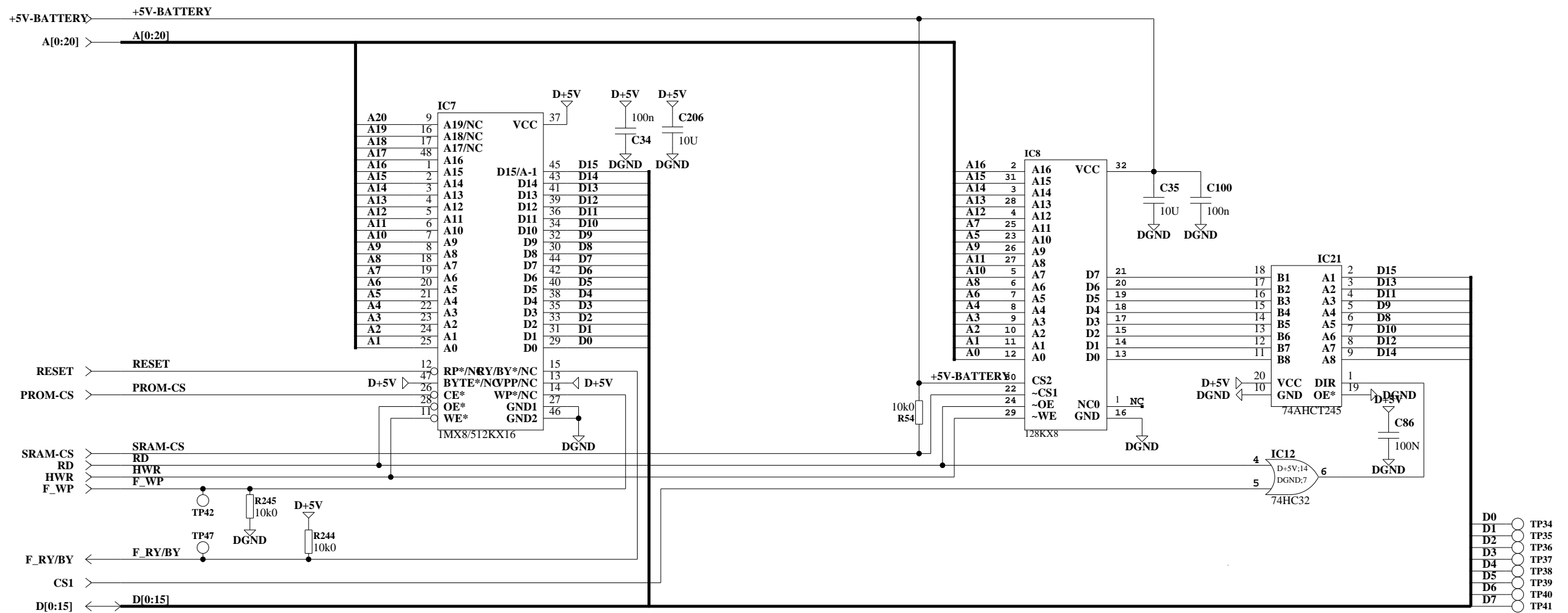
TC Electronic A/S		Designer MAR
Title MAINBOARD D22		Module title P13006-C P13006-CD
Number P13006	Revision CDC	Previous page 1
Date 2-1-2008 21:03	Filename	Page / of 1 / 15

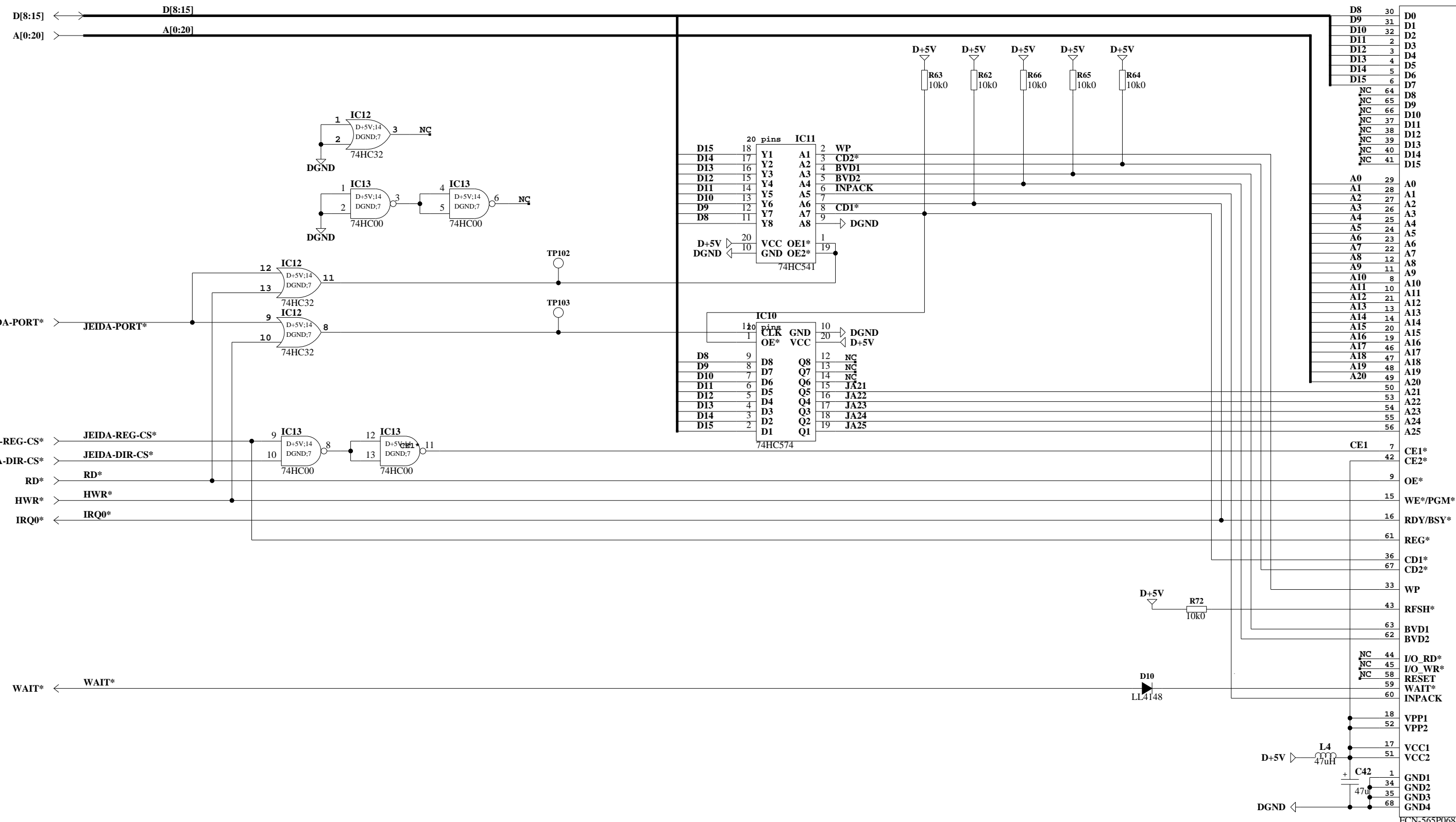


TC Electronic A/S		Designer MAR
Title MAINBOARD D22		Module title P13006_WX2CPU_P13006-CD_1
Number P13006	Revision CDC	Previous page 1
Date 2-1-2008 21:03	Filename	Page / of 1 / 15

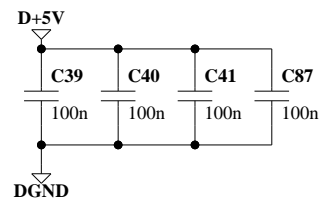
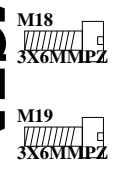


TC Electronic A/S		Designer MAR
Title MAINBOARD D22		Module title P13006 WX2INT P13006-CD_1
Number P13006	Revision CDC	Previous page 1
Date 2-1-2008 21:03	Filename	Page / of 1 / 15



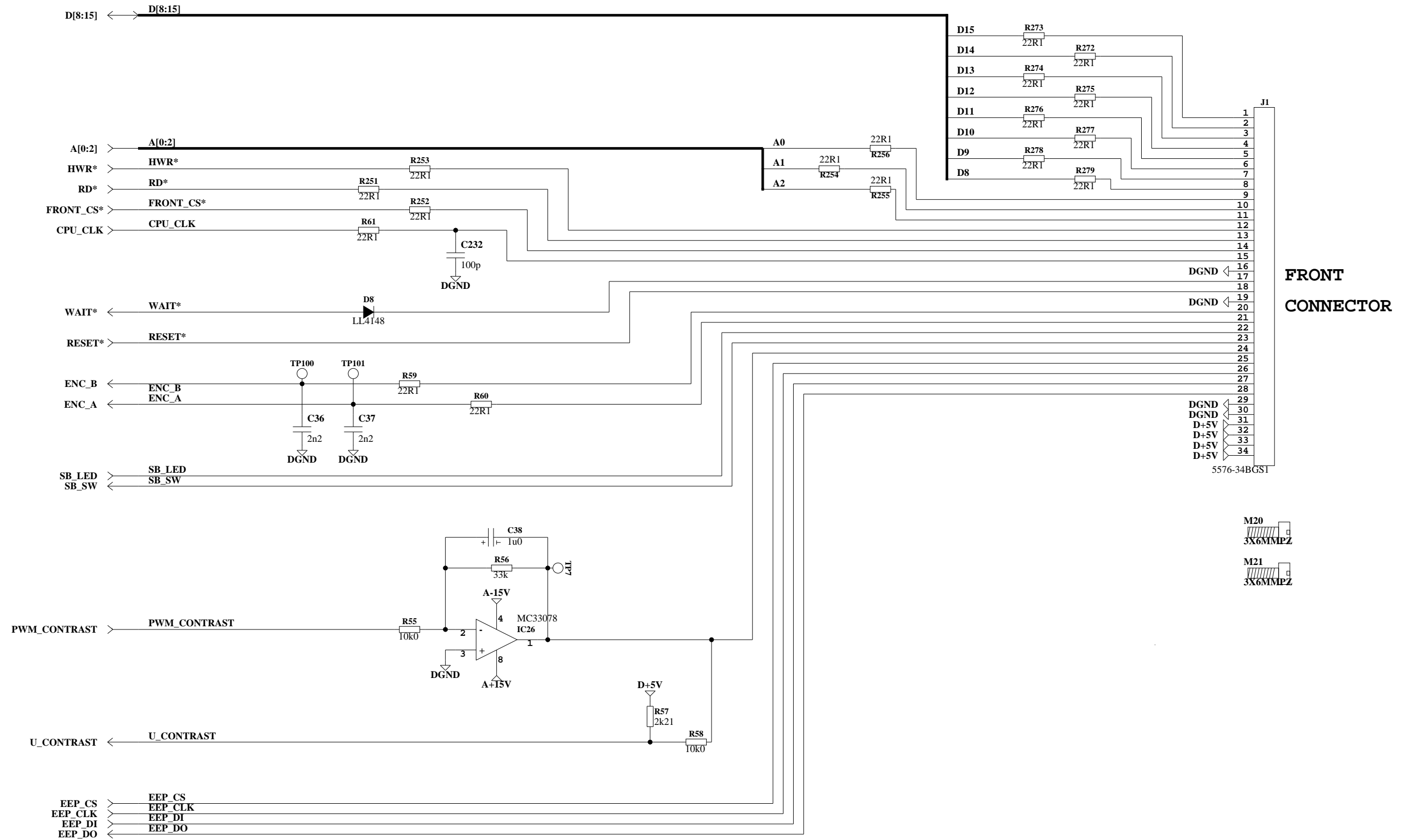


PCMCIA Type I

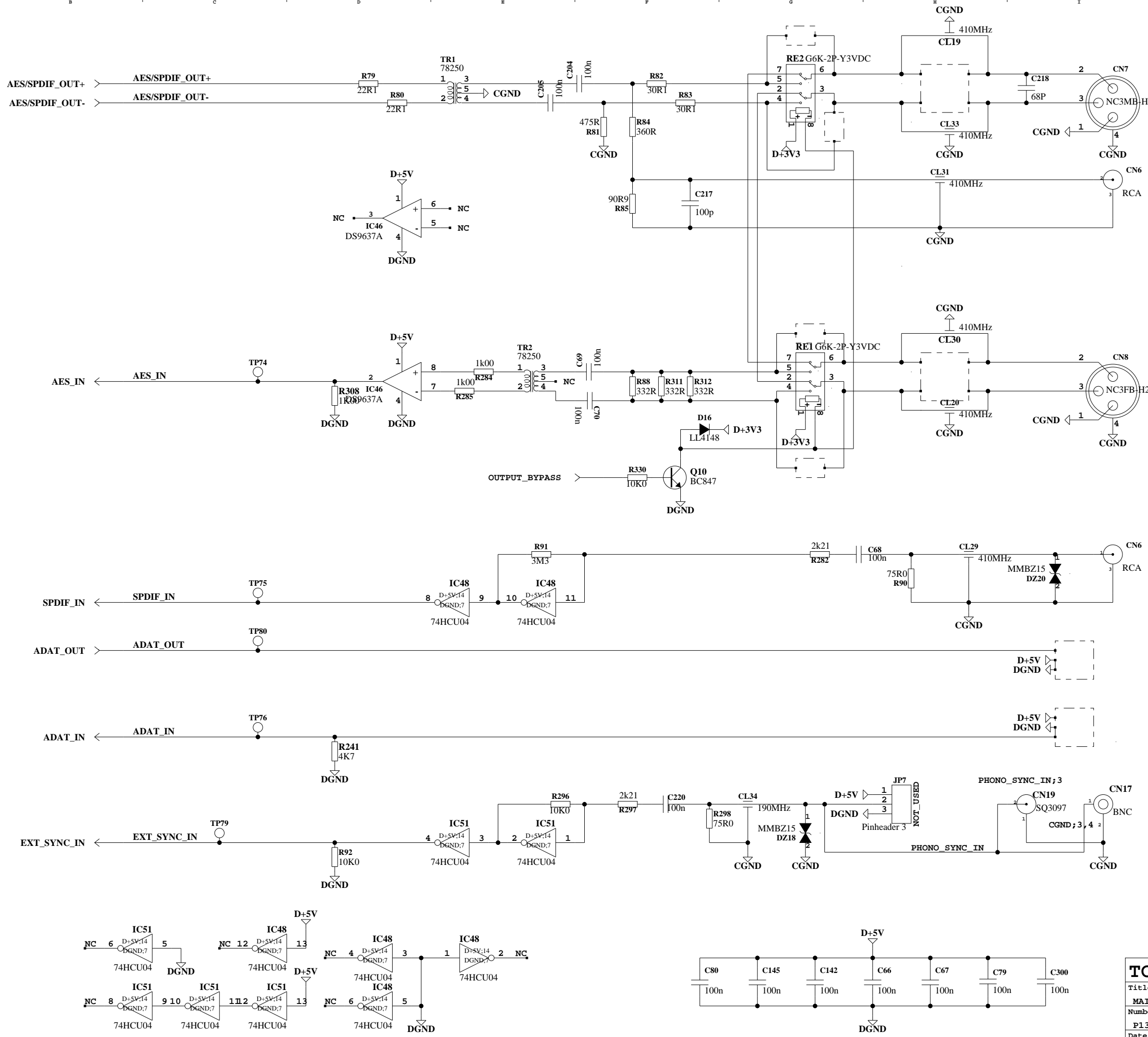


FCN-565P068-G/C-V4

TC Electronic A/S		Designer
NOT USED		MAR
Title	Module title	
MAINBOARD D22	P13006_WX2JEI_P13006-CD_1	
Number	Revision	Previous page
DRMAX MAIN BOARD P13006	CDC	1
Date	Filename	Page / of
2-1-2008 21:03		1 / 15



TC Electronic A/S		Designer MAR
Title MAINBOARD D22		Module title P13006 WX2FNT P13006-CD_1
Number P13006	Revision CDC	Previous page 1
Date 2-1-2008 21:03	Filename	Page / of 1 / 15



AES/EBU
XLR OUT

S/PDIF
RCA PHONO OUT

AES/EBU
XLR IN

S/PDIF
RCA PHONO IN

ADAT
OPTO OUT

ADAT
OPTO IN

SYNC IN

TC Electronic A/S Designer
MAR

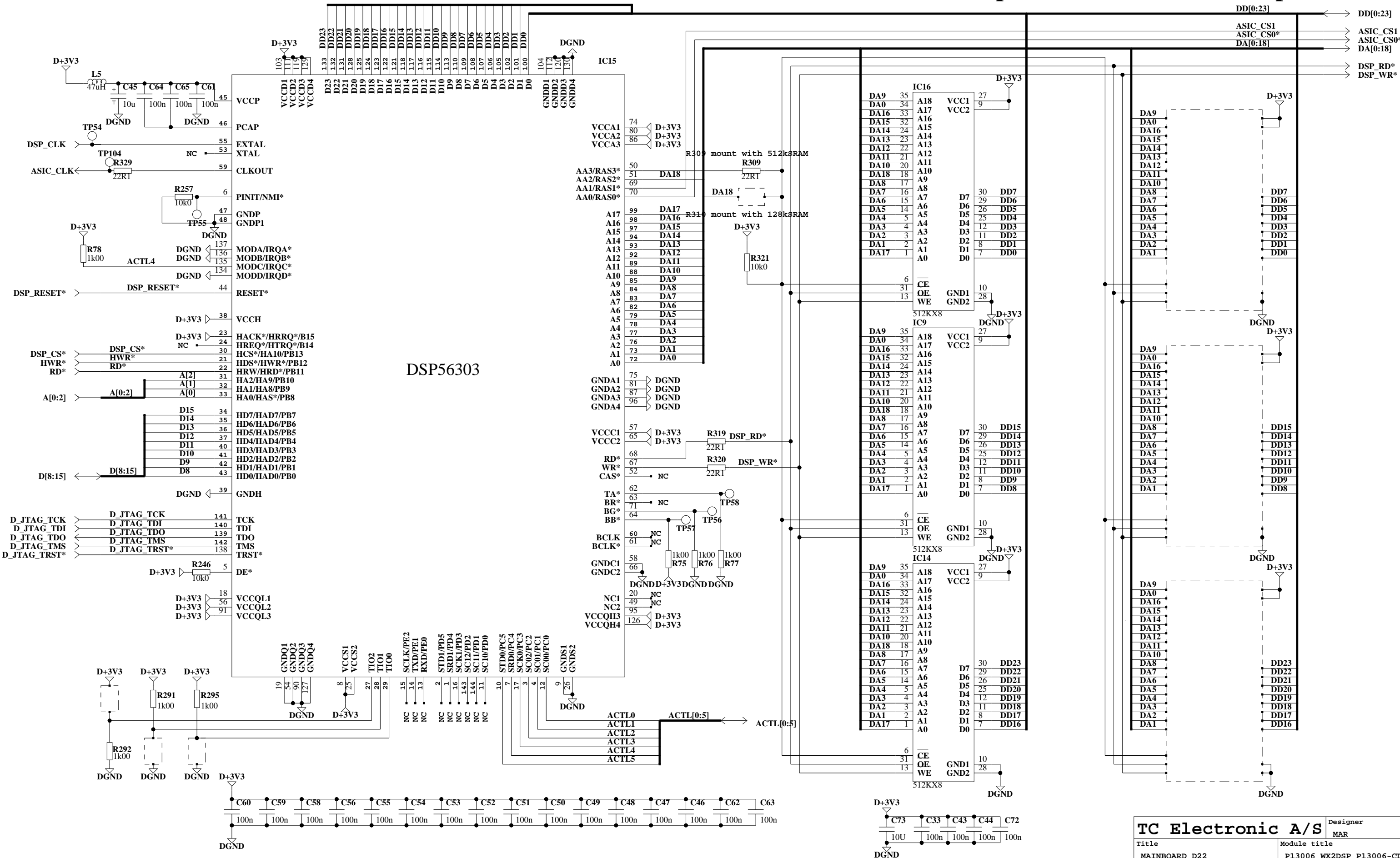
Title: MAINBOARD D22 Module title: P13006_WX2DGI_P13006-CD_1

Number: P13006 Revision: CDC Previous page: 1

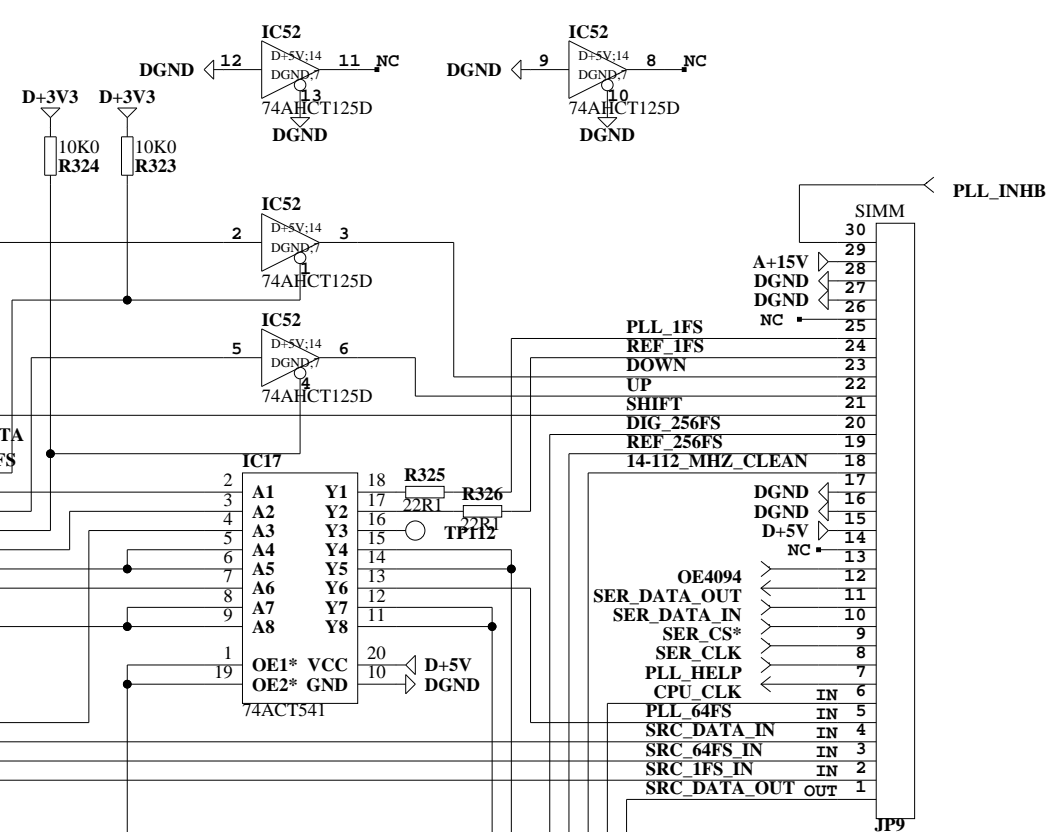
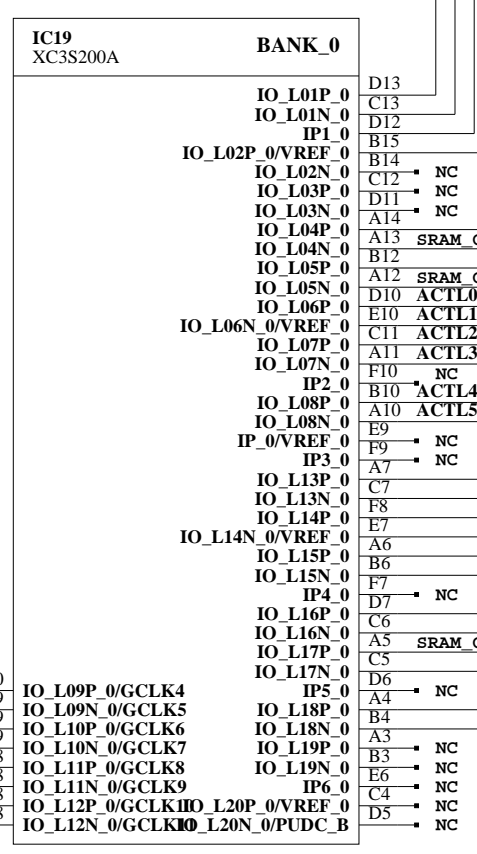
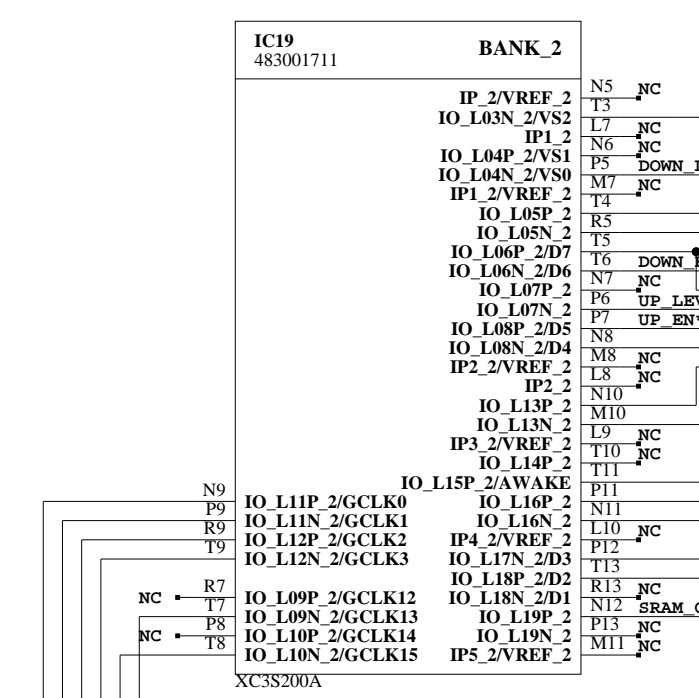
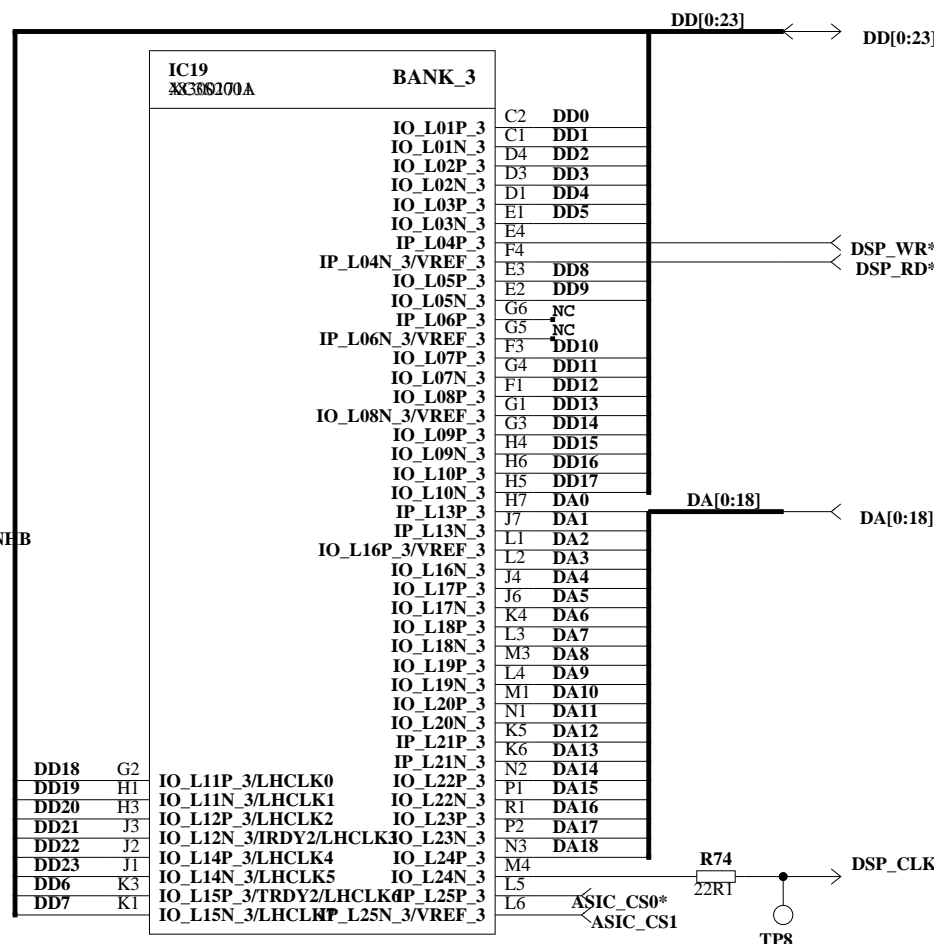
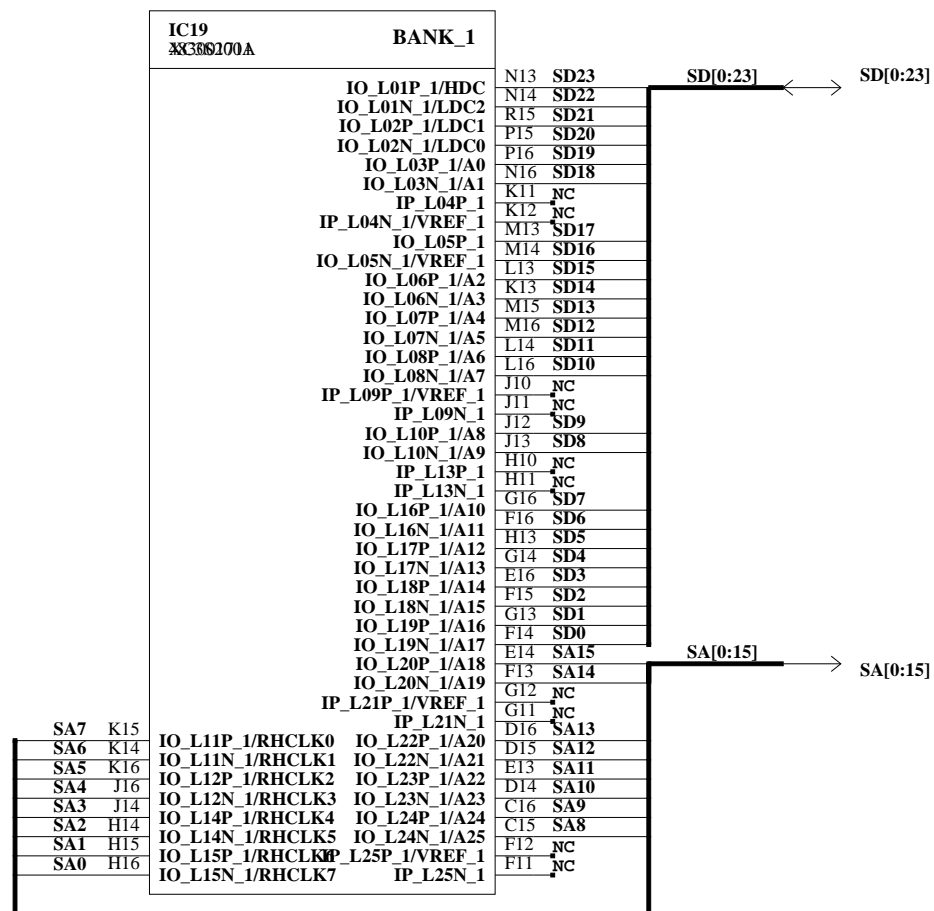
Date: 2-1-2008 21:03 Filename: Page / of: 1/15

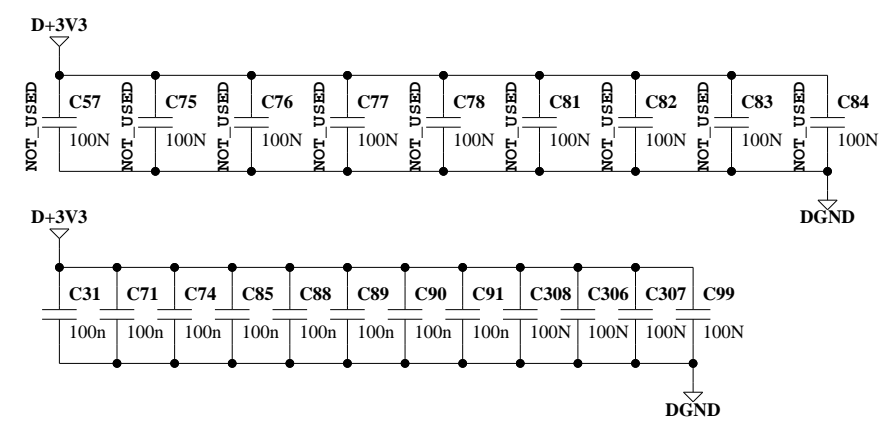
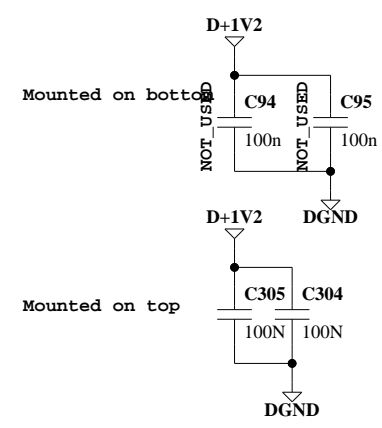
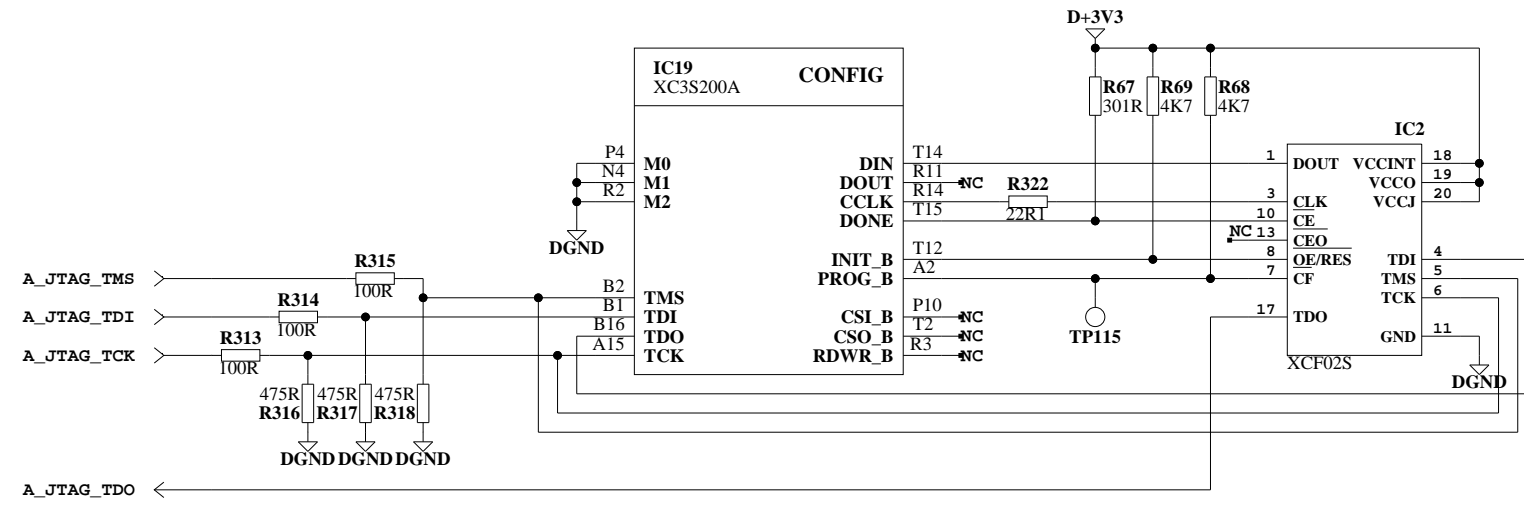
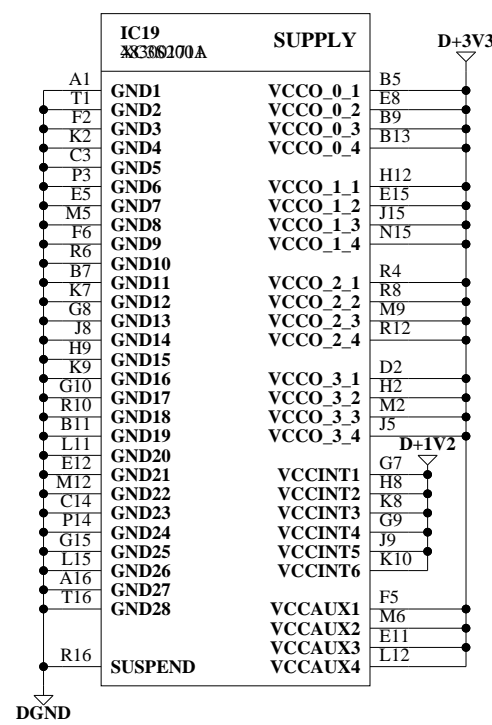
512k SRAM option

128k SRAM option

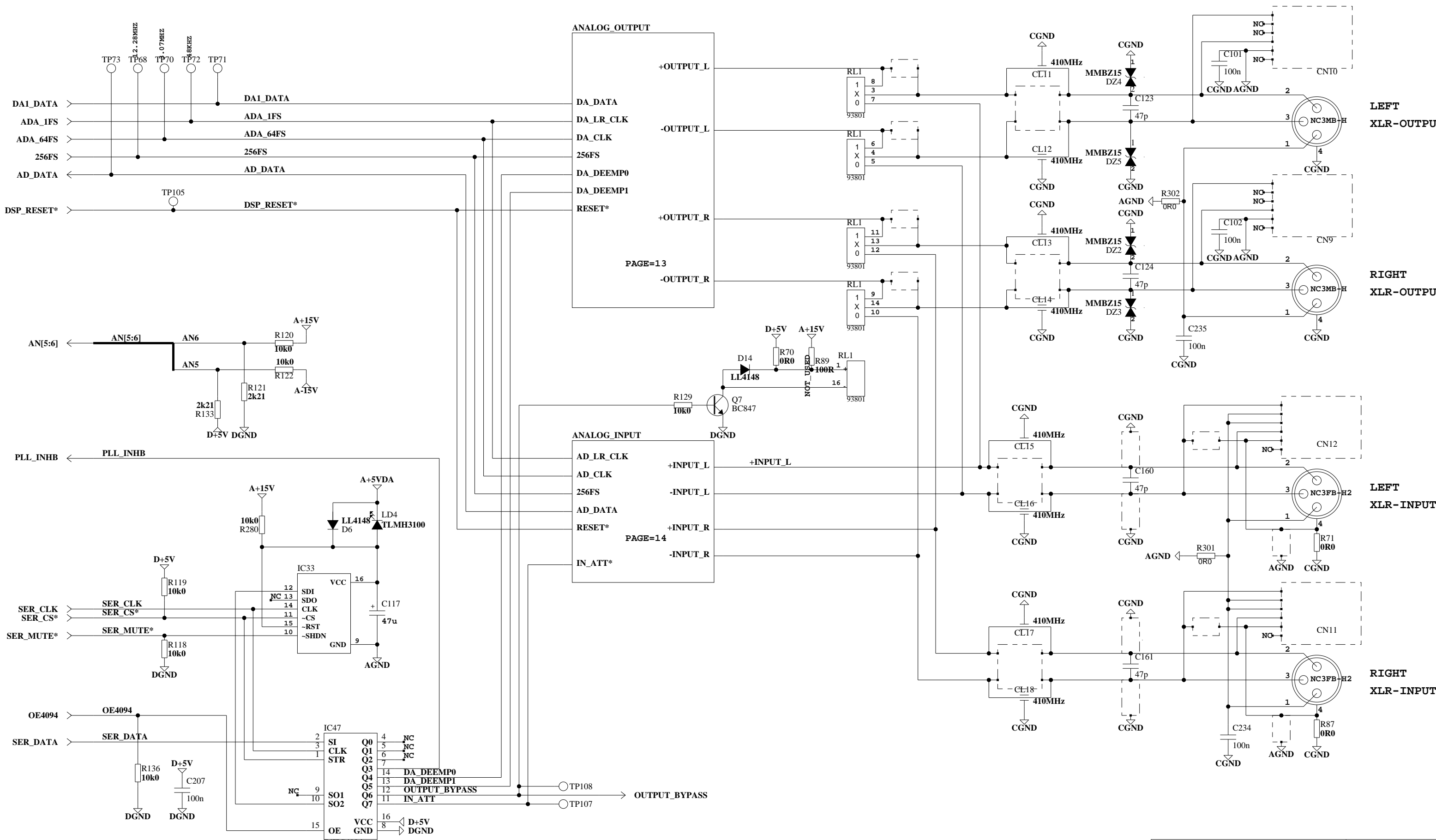


TC Electronic A/S		Designer MAR
Title MAINBOARD D22	Module title P13006 WX2DSP P13006-CD_1	
Number P13006	Revision CDC	Previous page 1
Date 2-1-2008 21:03	Filename	Page / of 1 / 15

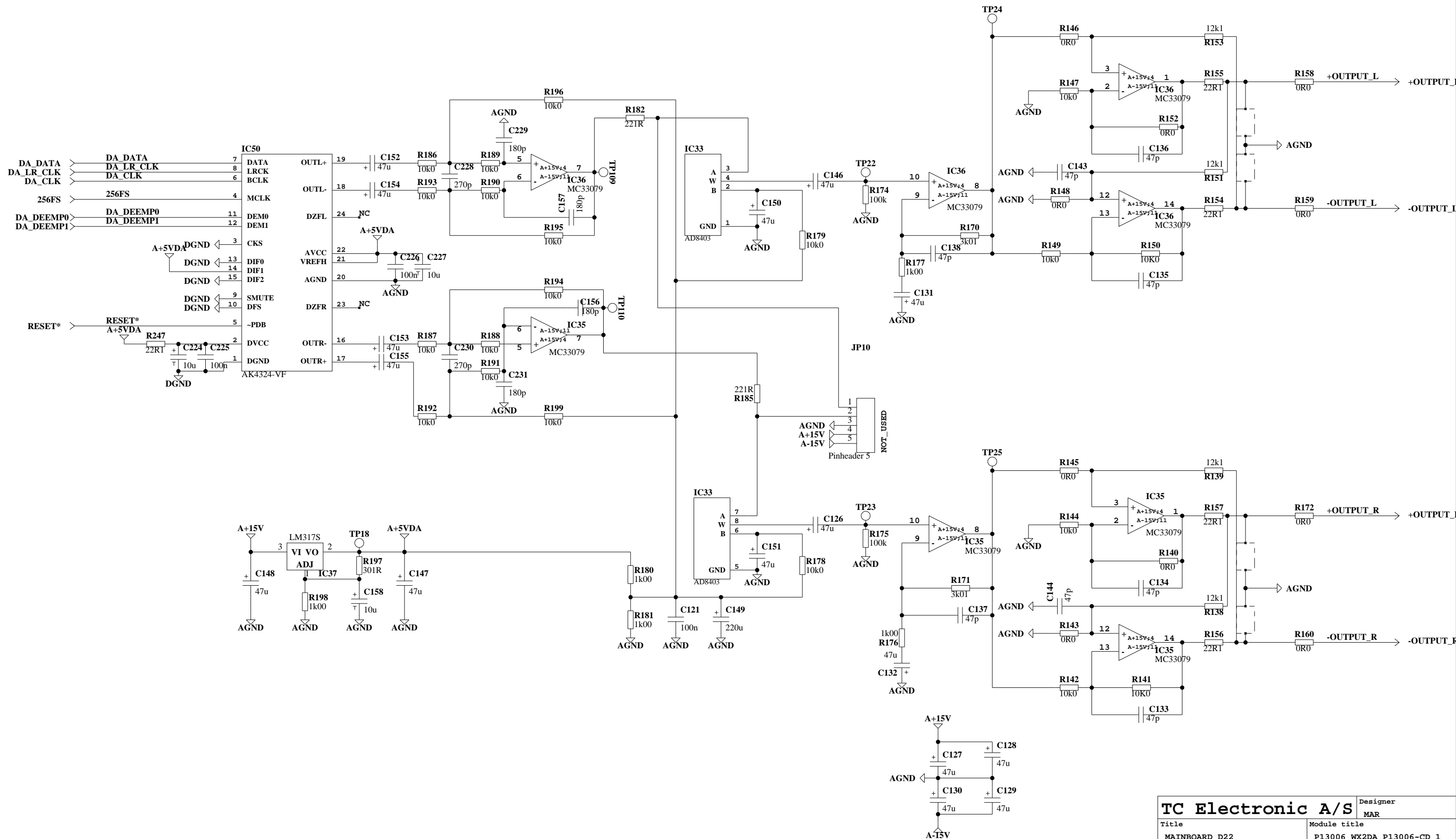




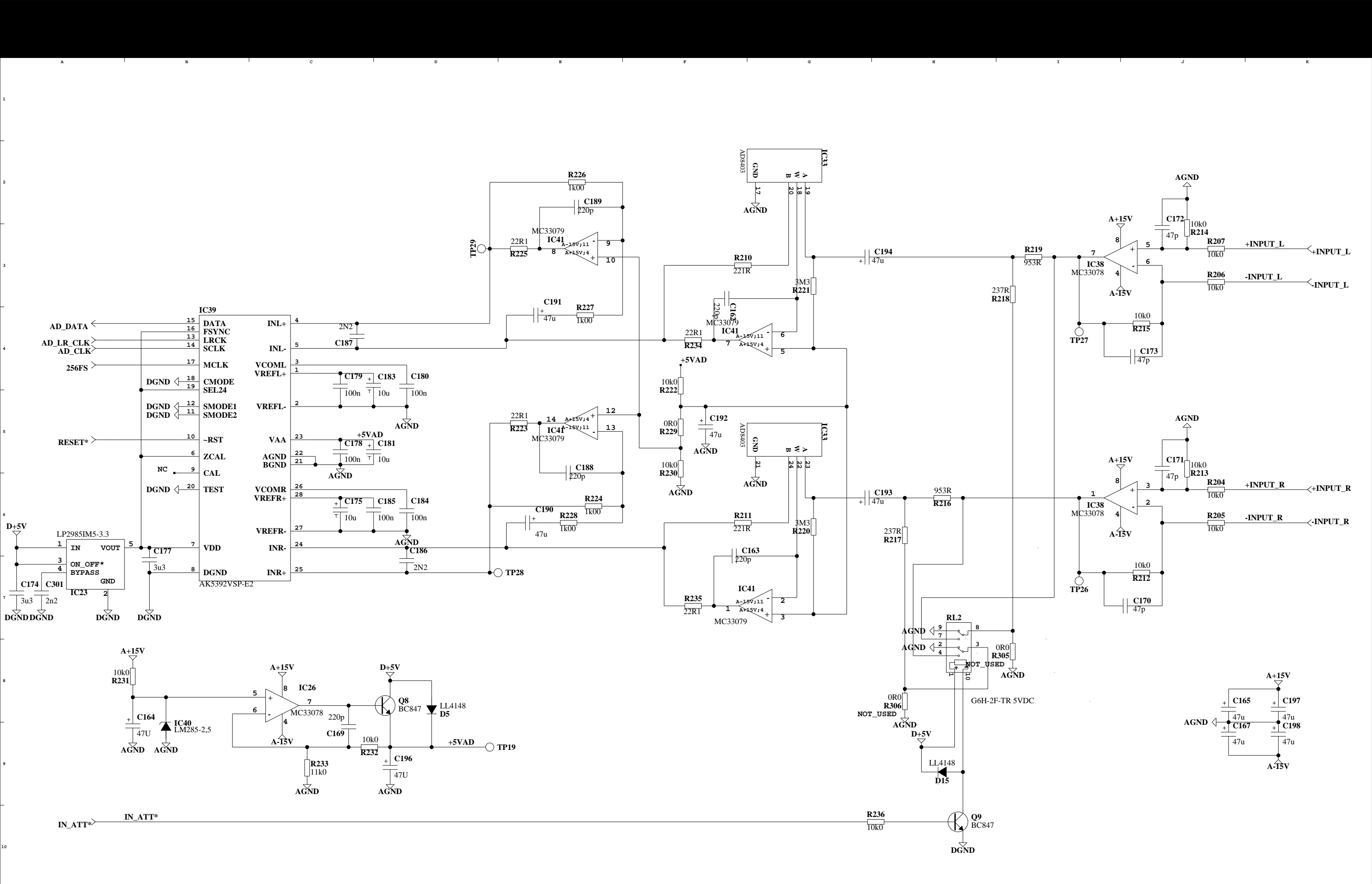
TC Electronic A/S		Designer MAR
Title MAINBOARD D22		Module title P13006_WX2ASI_P13006-CD_1
Number P13006	Revision CDC	Previous page 1
Date 2-1-2008 21:03	Filename	Page / of 1 / 15



TC Electronic A/S		Designer MAR
Title MAINBOARD D22	Module title P13006 WX2ADA P13006-CD_1	
Number P13006	Revision CDC	Previous page 1
Date 2-1-2008 21:03	Filename	Page / of 1 / 15



TC Electronic A/S		Designer MAR
Title MAINBOARD D22		Module title P13006_WX2DA_P13006-CD_1
Number P13006	Revision CDC	Previous page 1
Date 2-1-2008 21:03	Filename	Page / of 1 / 15



TC Electronic A/S		Designer MAR
Title MAINBOARD D22		Module title P13006_WX2AD_P13006-CD_1
Number P13006	Revision CDC	Previous page 1
Date 2-1-2008 21:03	Filename	Page / of 1 / 15

