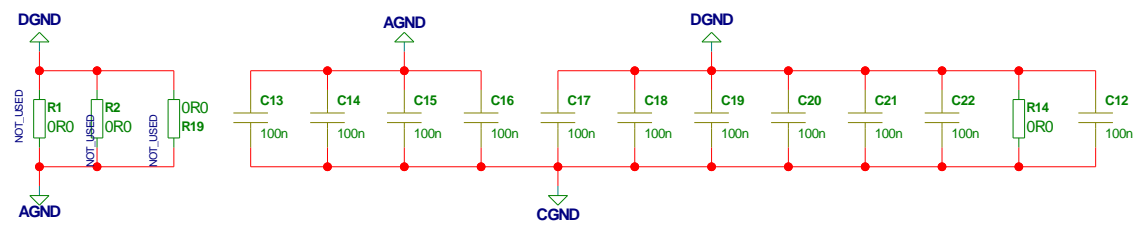
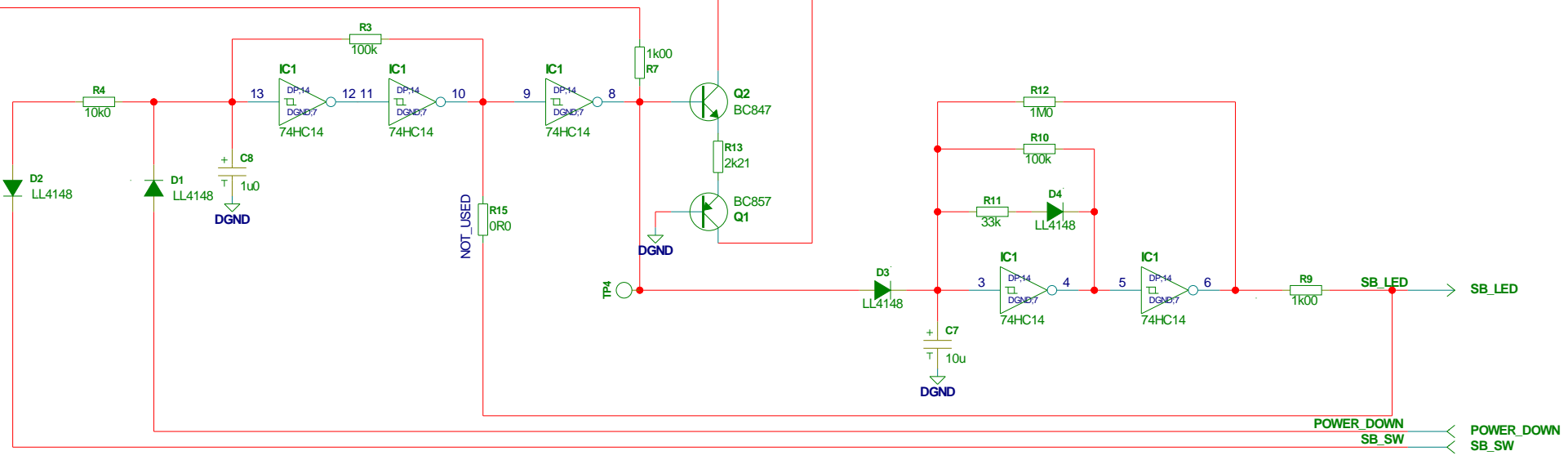
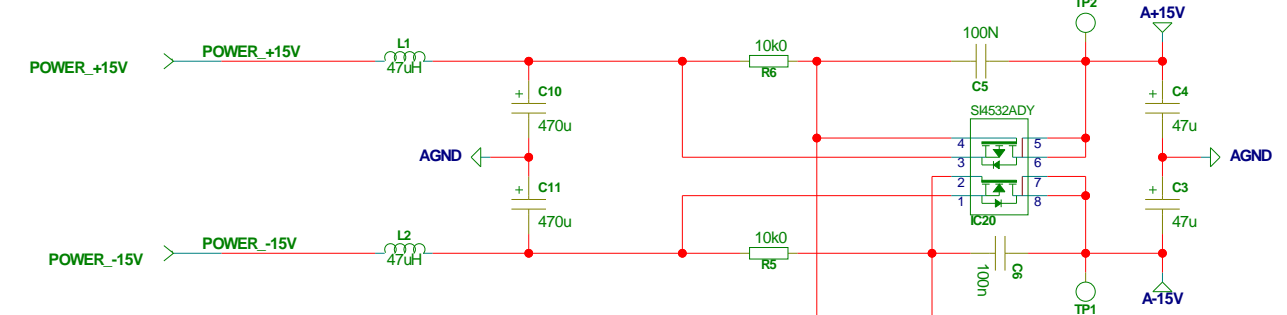
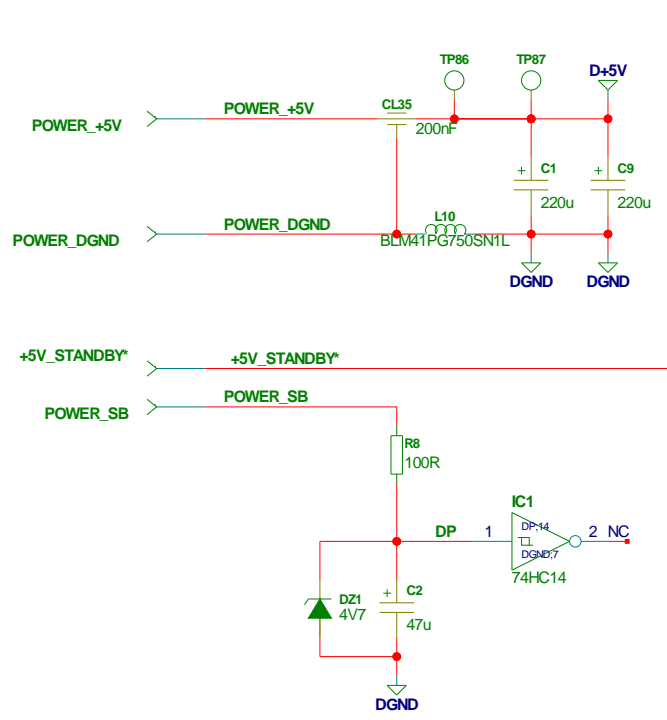
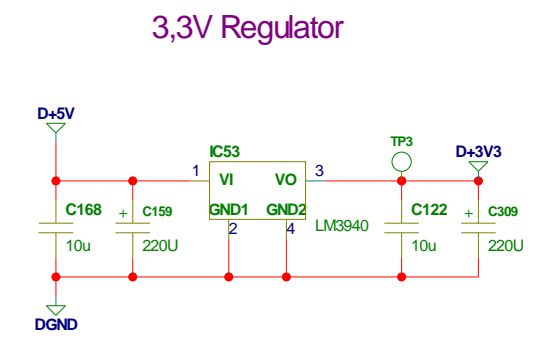
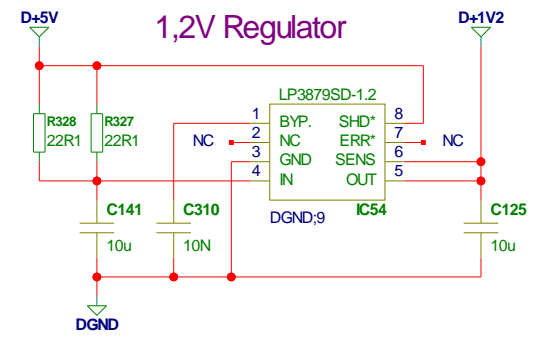
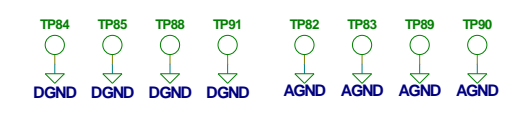
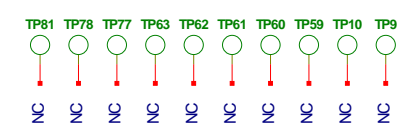


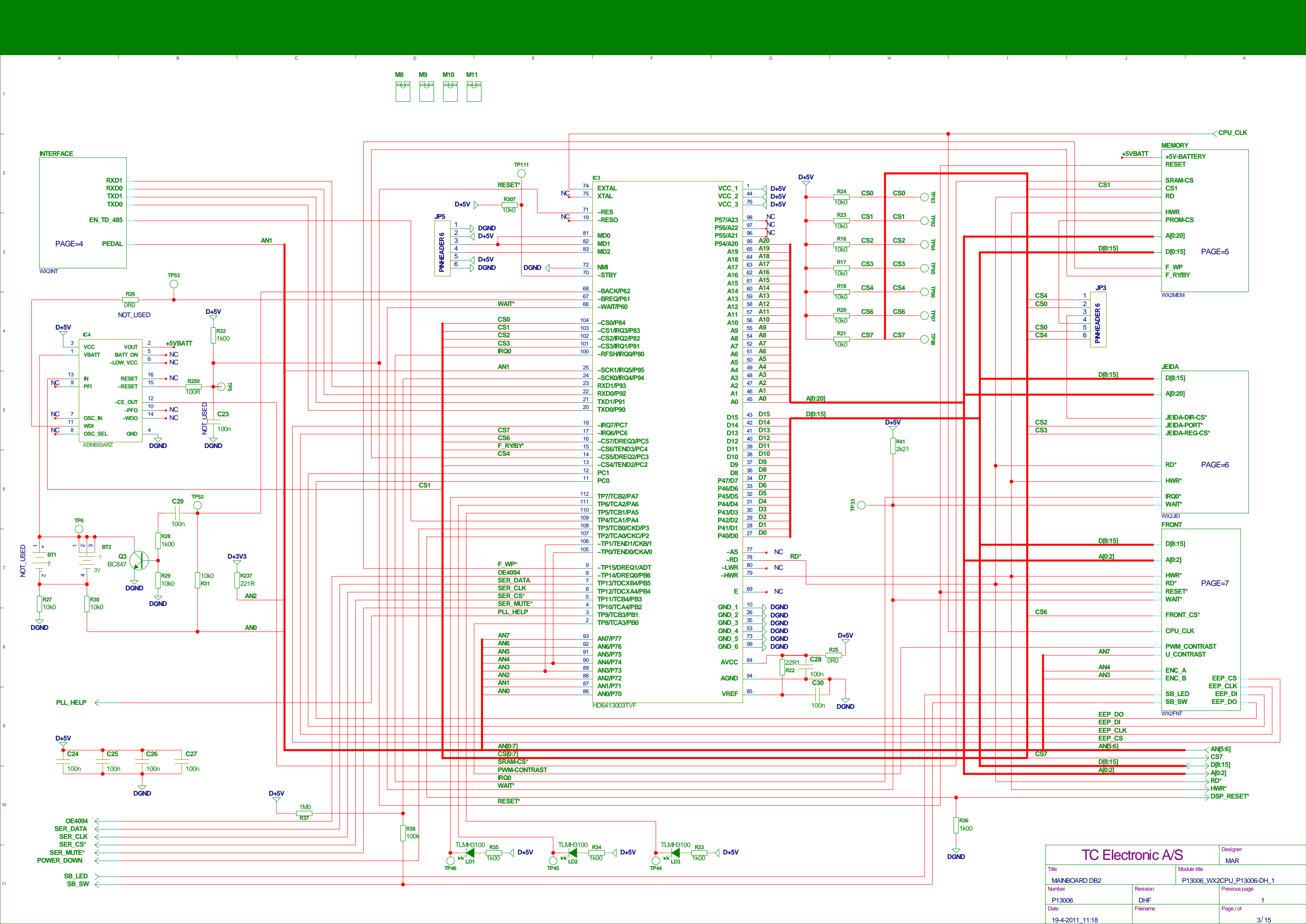
TC Electronic A/S		Designer MAR
Title MAINBOARD DB2	Module title P13006-D_P13006-DH	
Number P13006	Revision DHF	Previous page 1
Date 19-4-2011_11:17	Filename	Page / of 1 / 15



Unused Testpoints



TC Electronic A/S		Designer MAR
Title MAINBOARD DB2	Module title P13006_WX2POW_P13006-DH_1	
Number P13006	Revision DHF	Previous page 1
Date 19-4-2011_11:18	Filename	Page / of 2 / 15



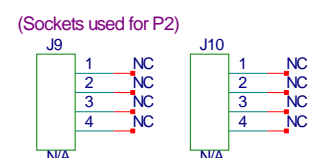
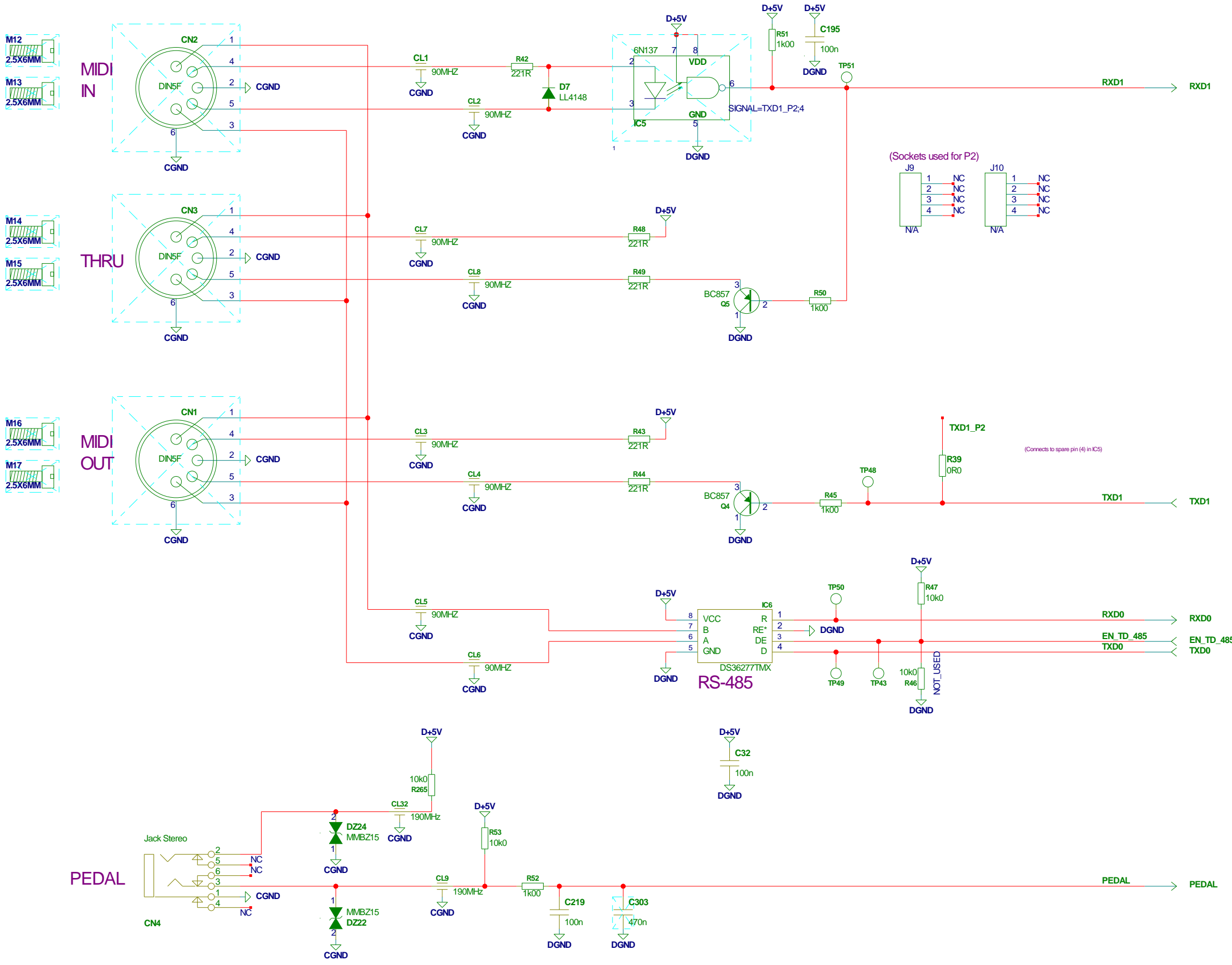
TC Electronic A/S

Title: MAINBOARD DB2
 Module title: P13006_WX2CPU_P13006-DH_1

Number: P13006
 Revision: DHF
 Previous page: 1

Date: 19-4-2011_11:18
 Filename:
 Page / of: 3 / 15

Designer: MAR

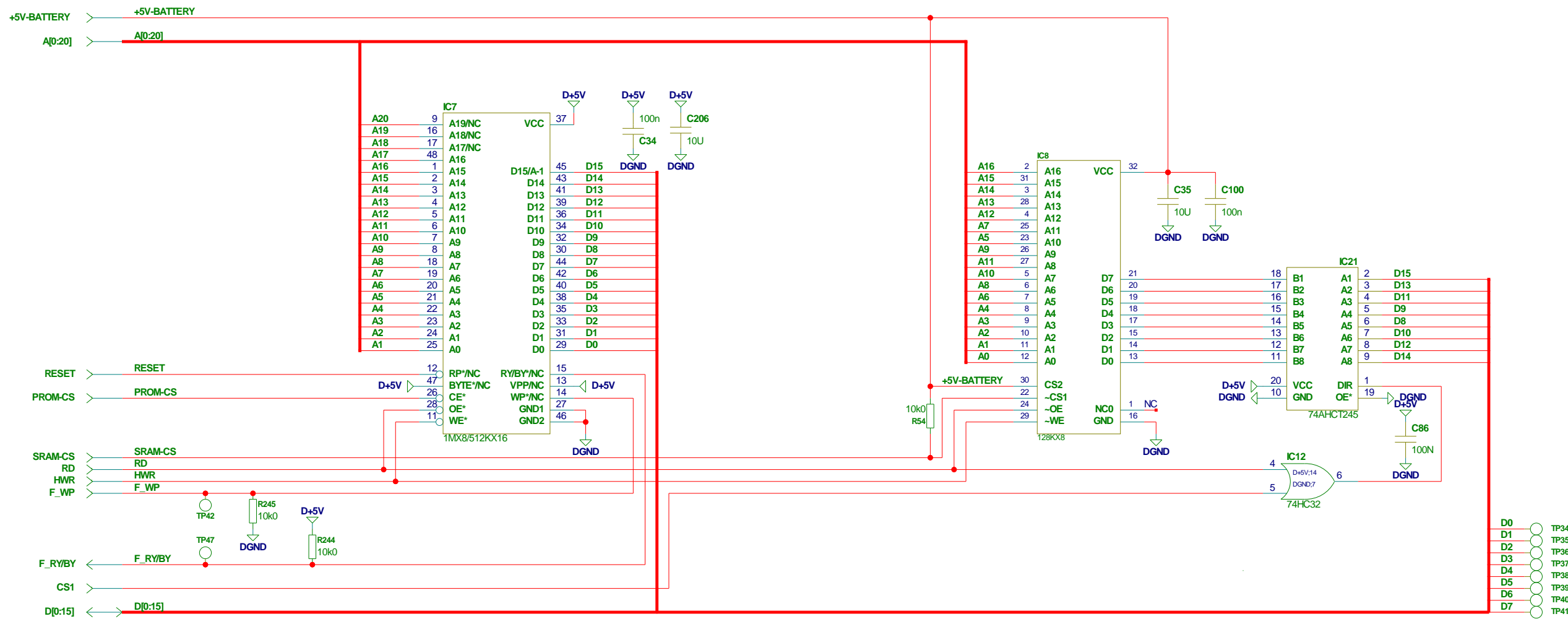


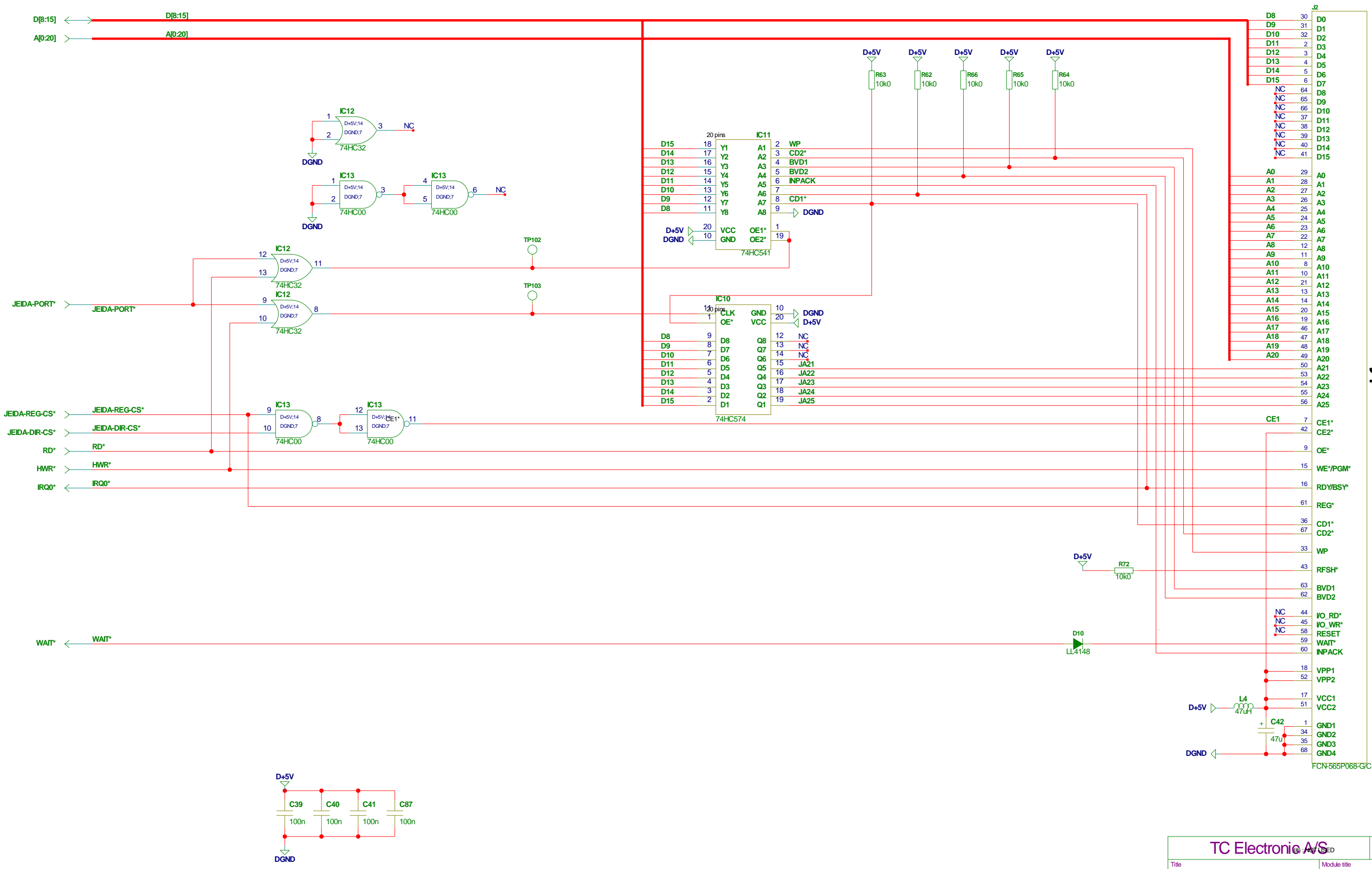
(Connects to spare pin (4) in IC5)

PEDAL

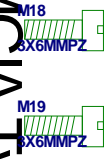
TC Electronic A/S

Title		Module title		Designer	
MAINBOARD DB2		P13006_WX2INT_P13006-DH_1		MAR	
Number	Revision	Previous page			
P13006	DHF	3			
Date	Filename	Page / of			
19-4-2011_11:18		4 / 15			



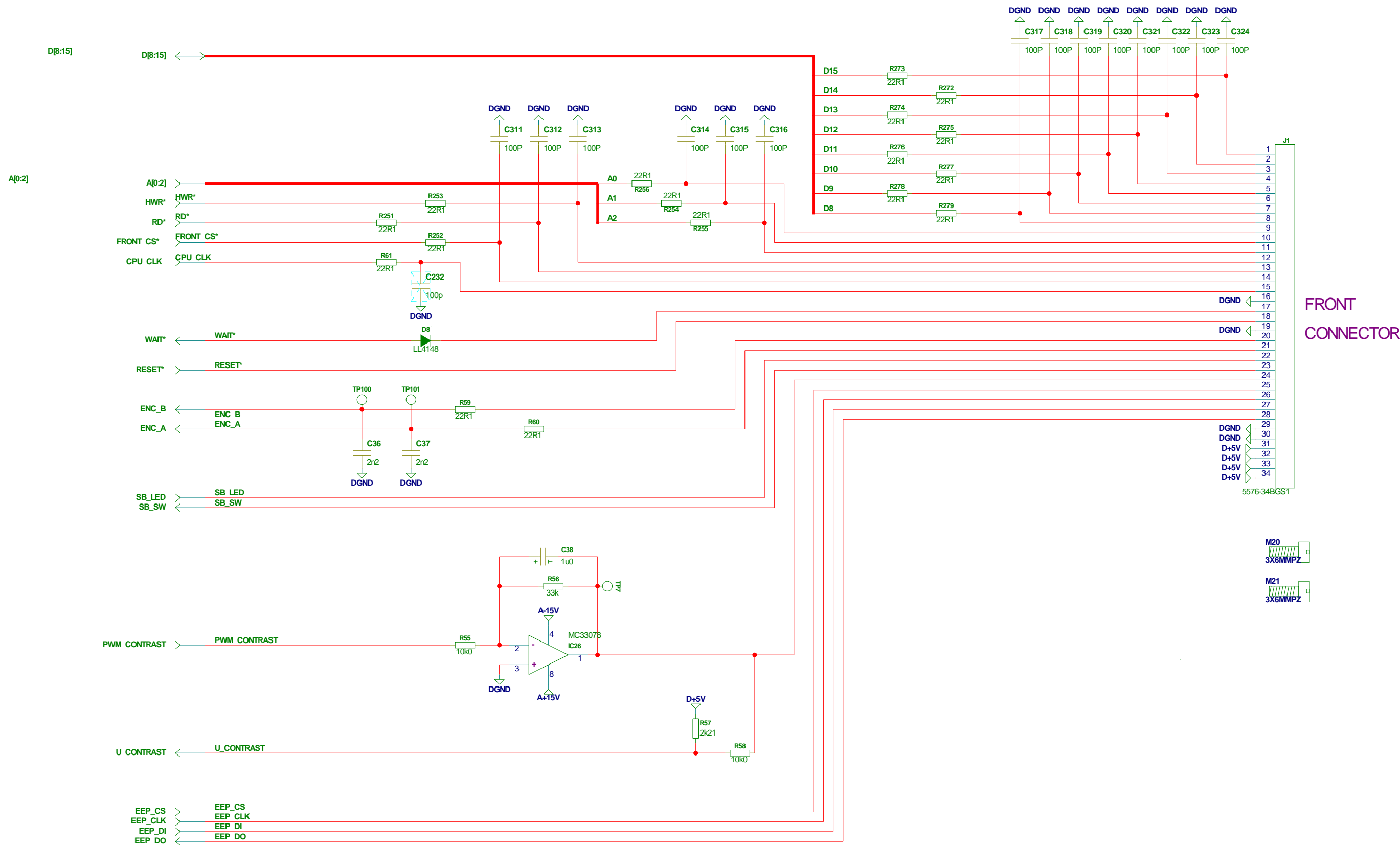


PCMCIA Type I

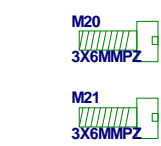


TC Electronic AS

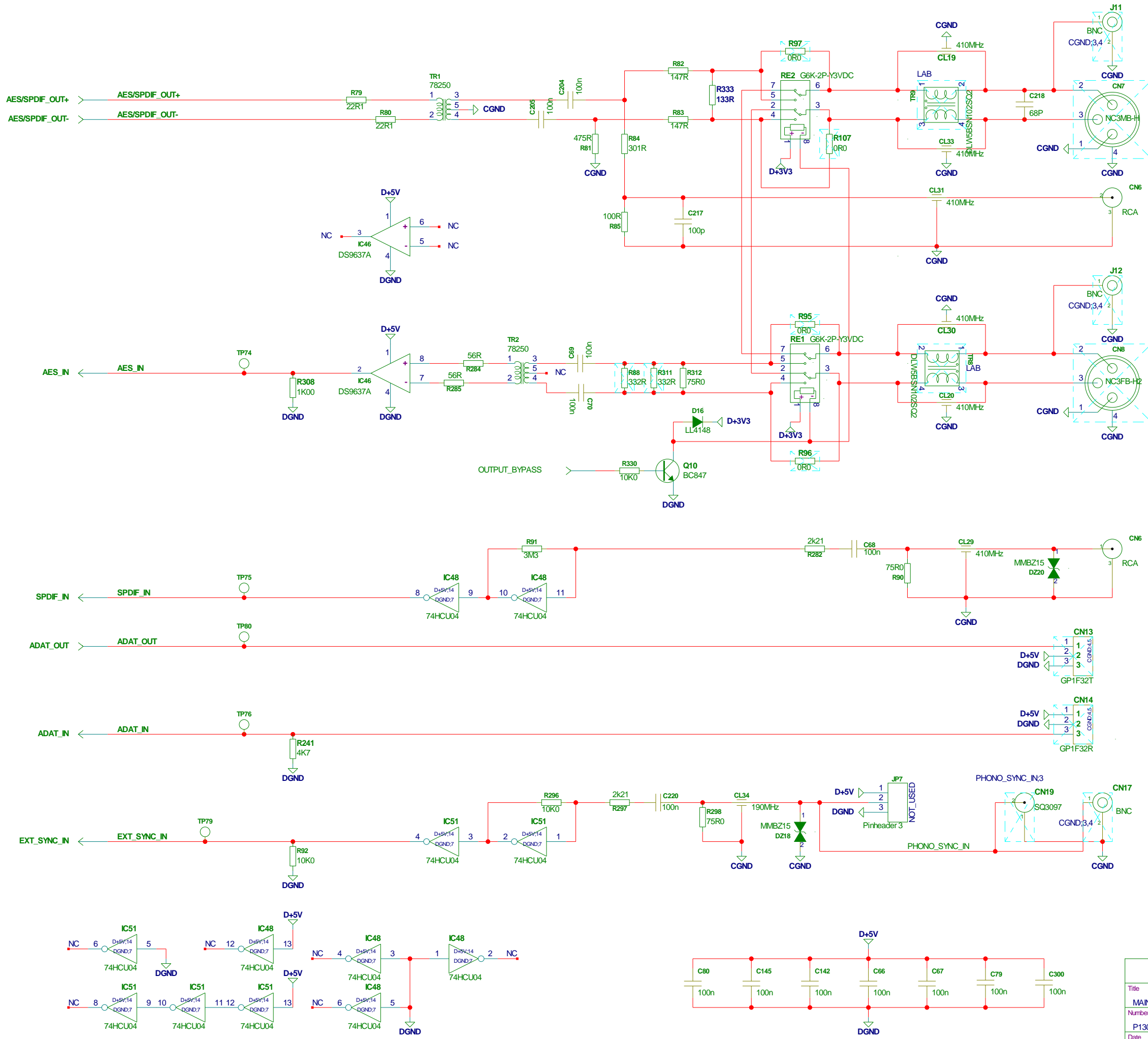
Title MAINBOARD DB2		Module title P13006_WX2JEL_P13006-DH_1	
Number "DBMAX MAIN BOARD" P13006	Revision DHF	Previous page 3	
Date 19-4-2011_11:19	Filename	Page / of 6 / 15	



FRONT CONNECTOR

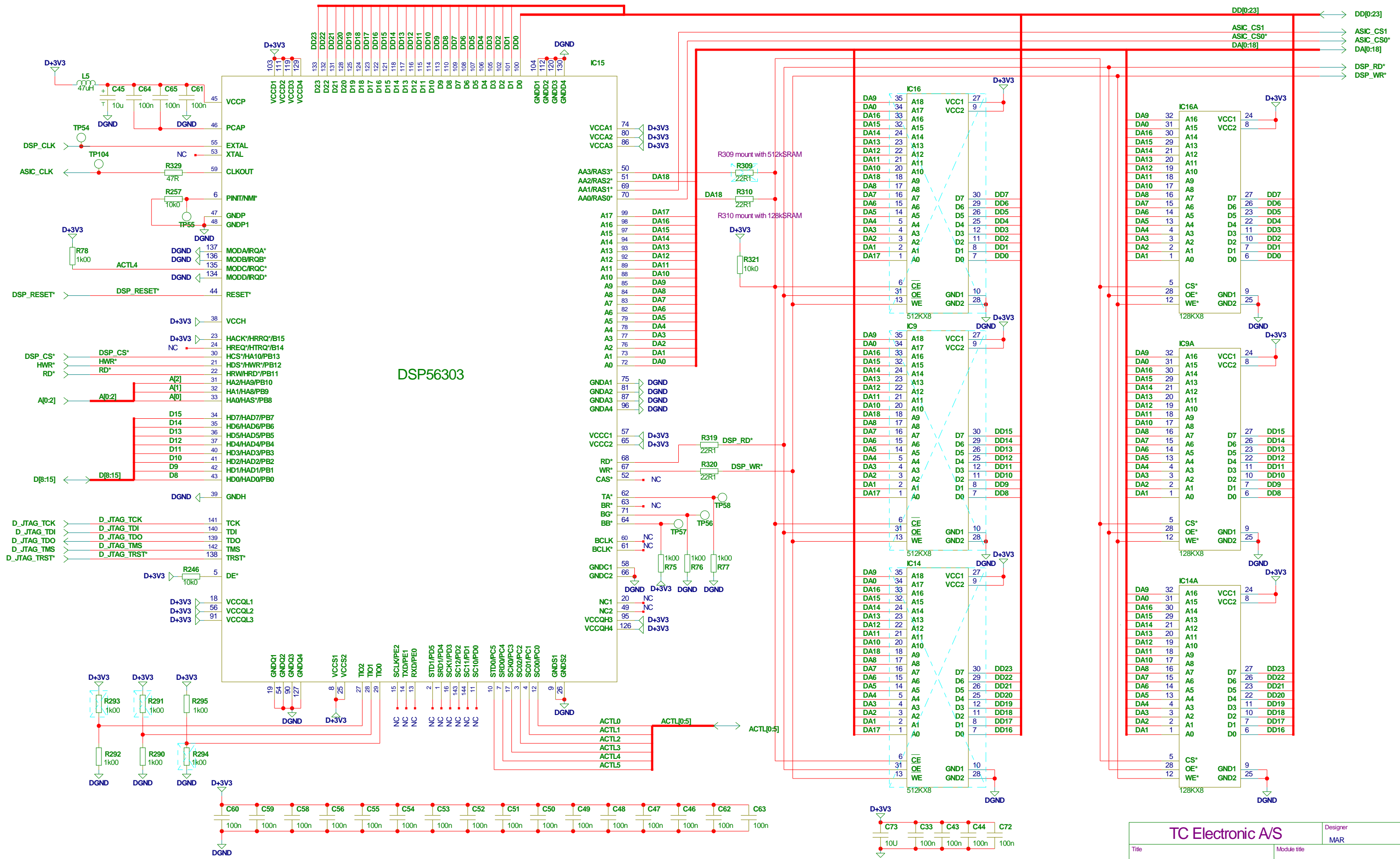


TC Electronic A/S		Designer MAR
Title MAINBOARD DB2	Module title P13006_WX2FNT_P13006-DH_1	
Number P13006	Revision DHF	Previous page 3
Date 19-4-2011_11:19	Filename	Page / of 7 / 15

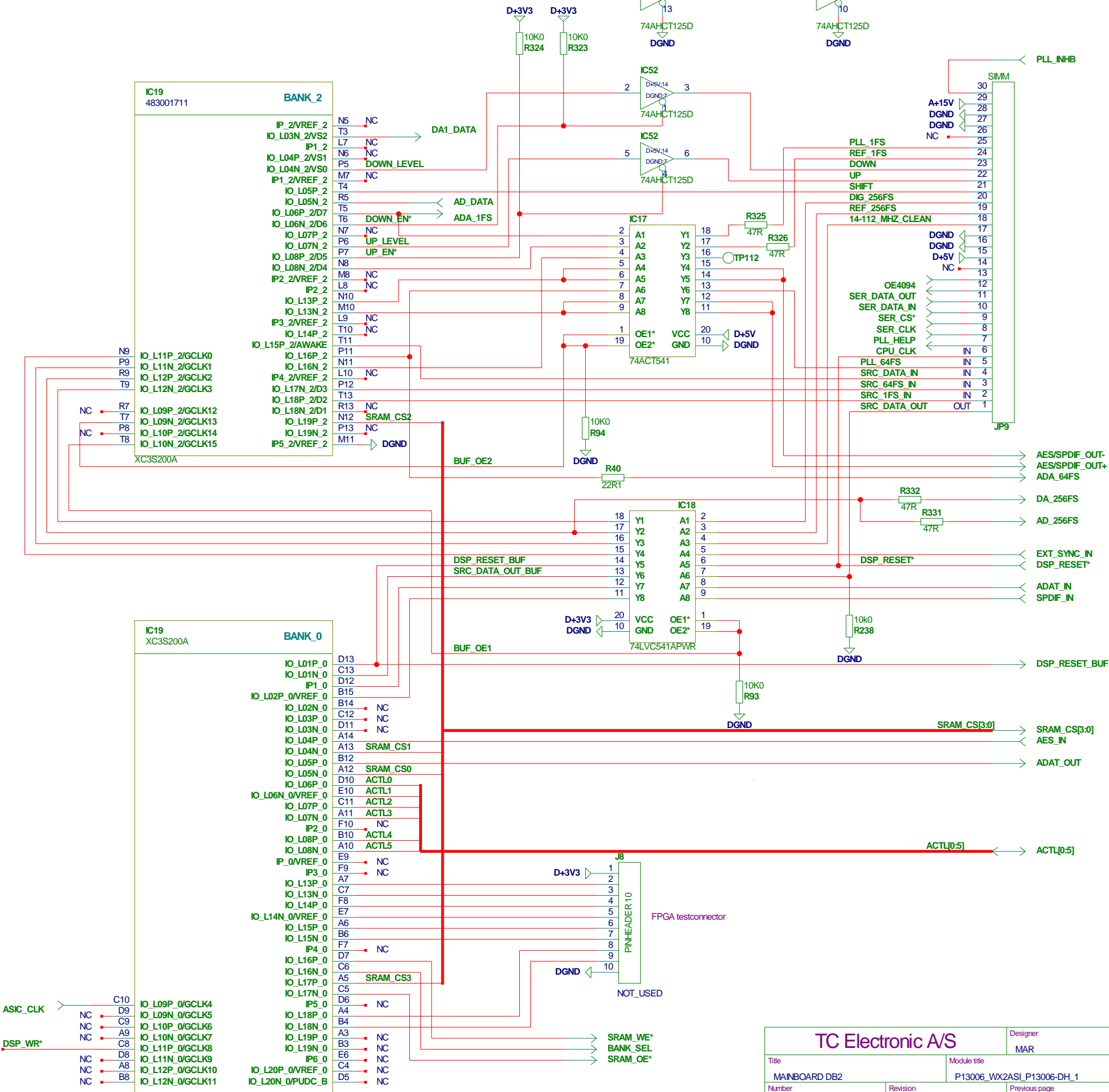
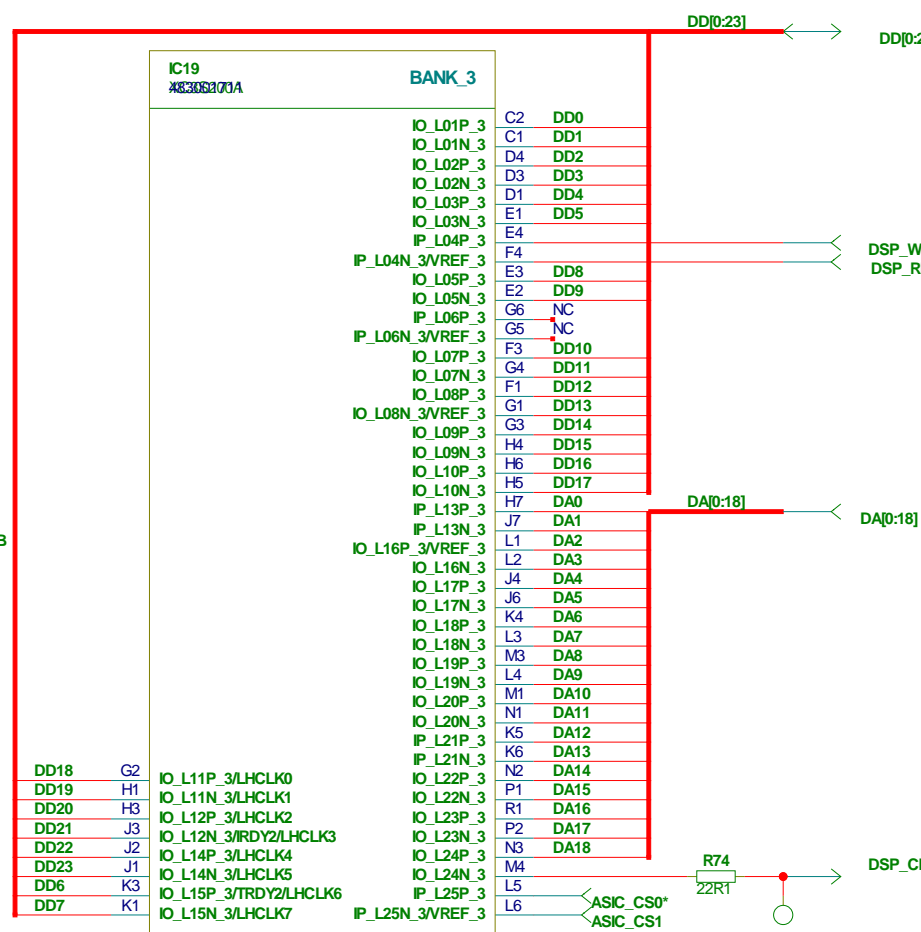
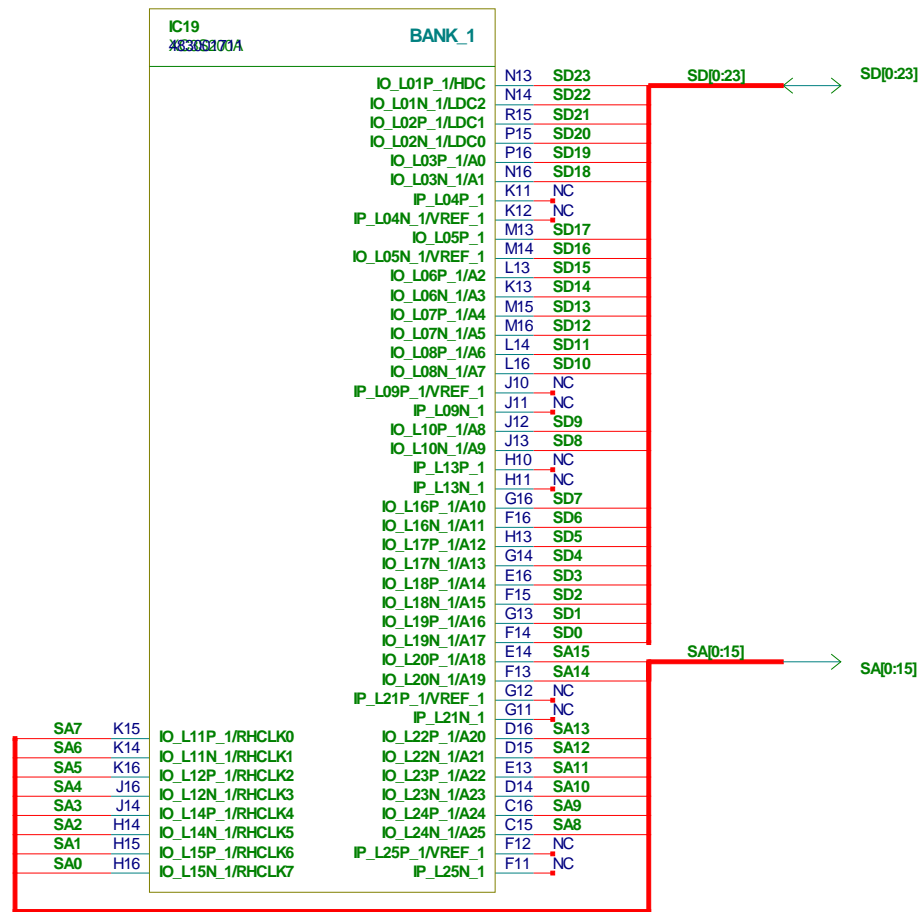


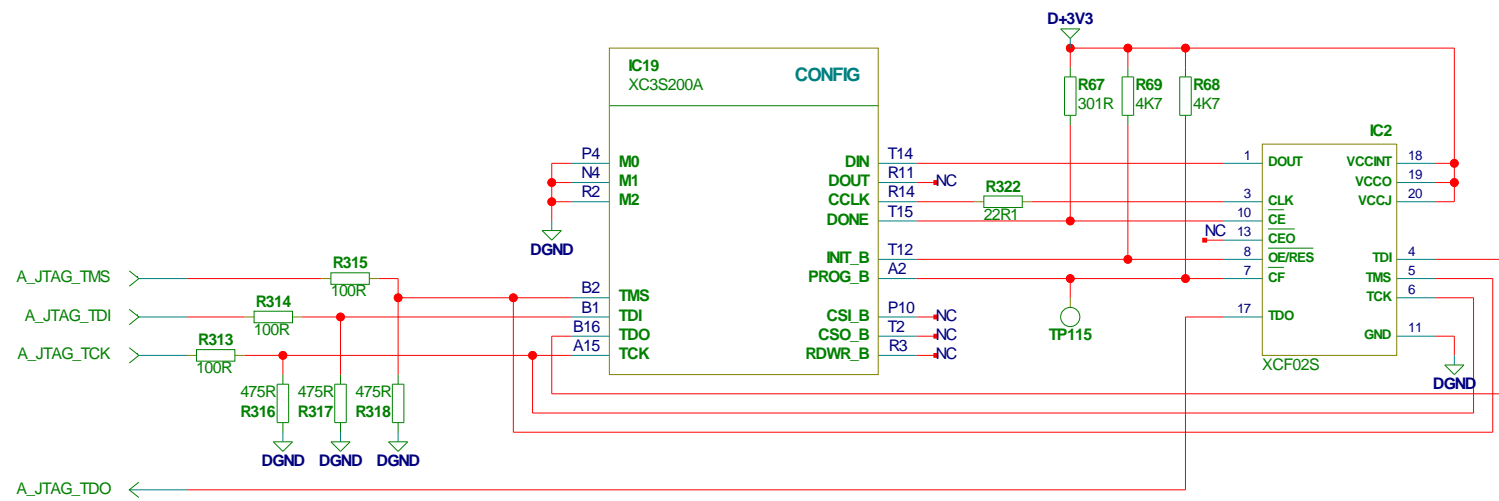
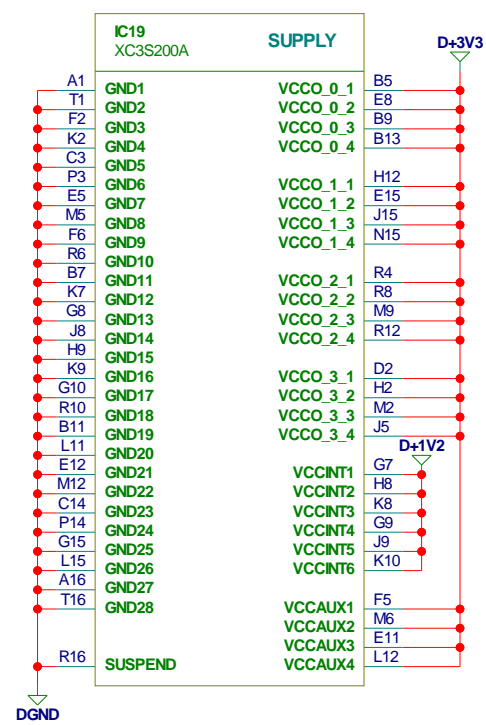
512k SRAM option

128k SRAM option

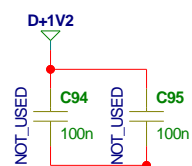


TC Electronic A/S		Designer	MAR
Title		Module title	
MAINBOARD DB2		P13006_WX2DSP_P13006-DH_1	
Number	Revision	Previous page	
P13006	DHF	1	
Date	Filename	Page / of	
19-4-2011_11:19		9 / 15	

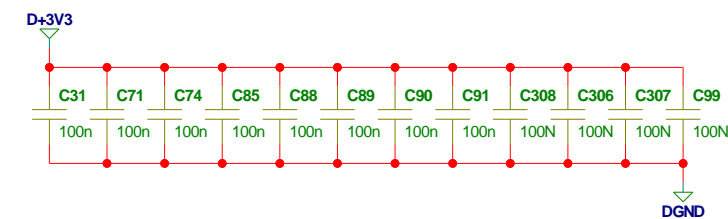
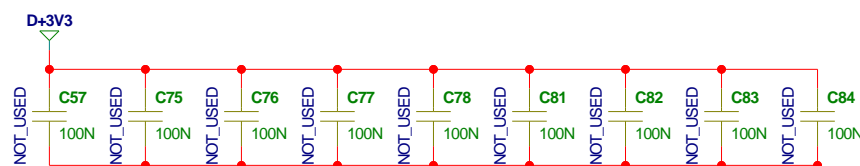
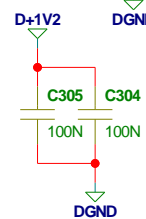




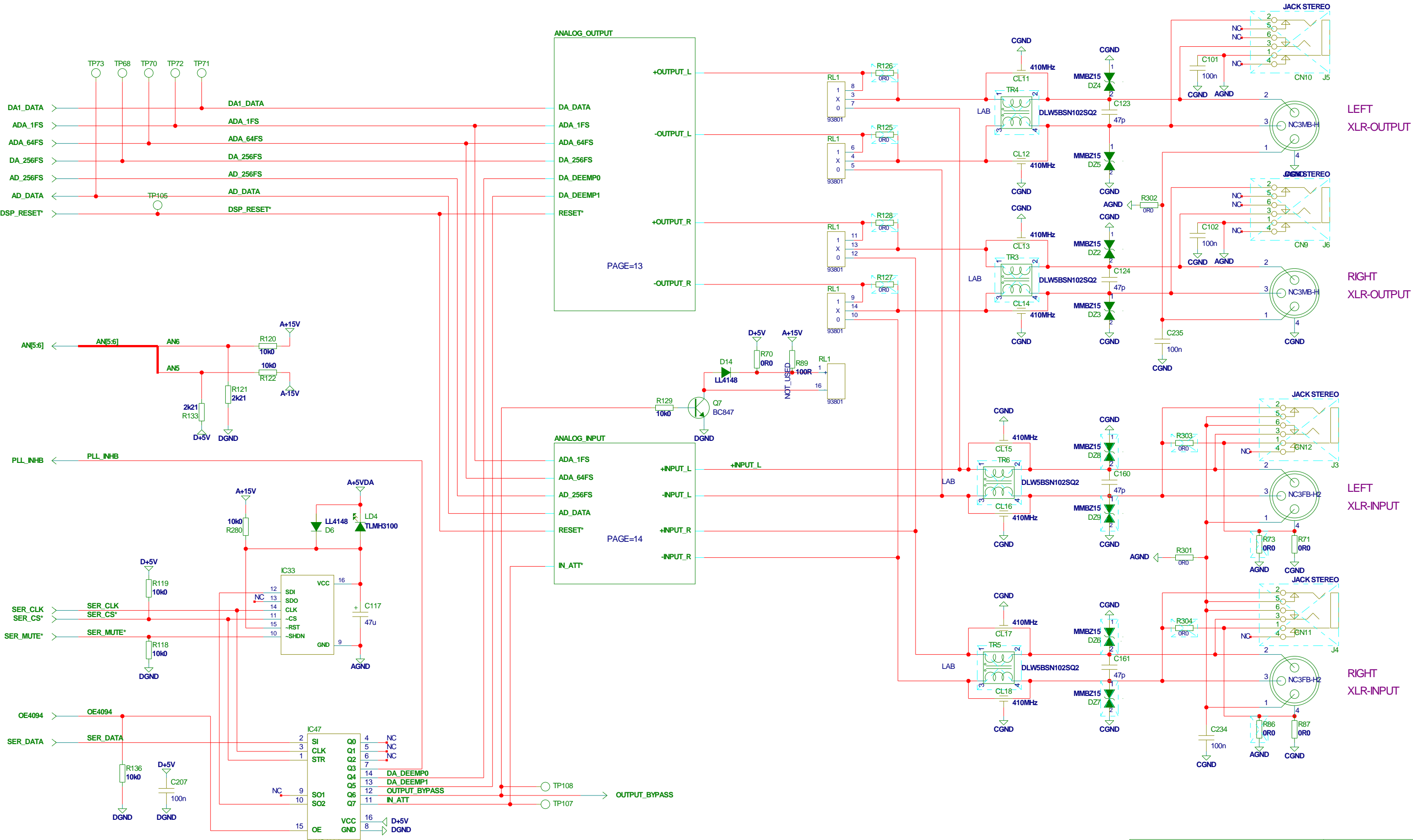
Mounted on bottom



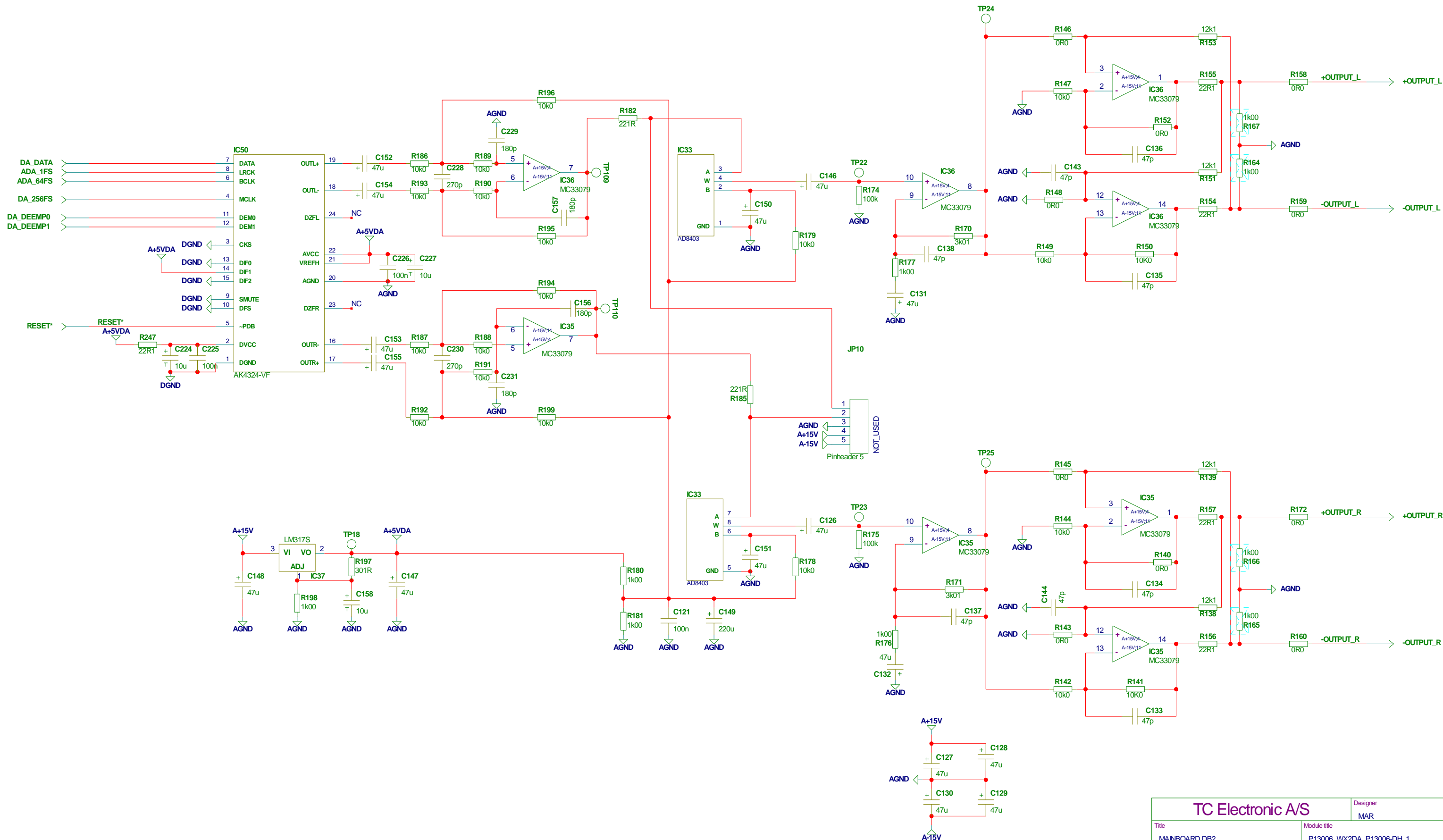
Mounted on top



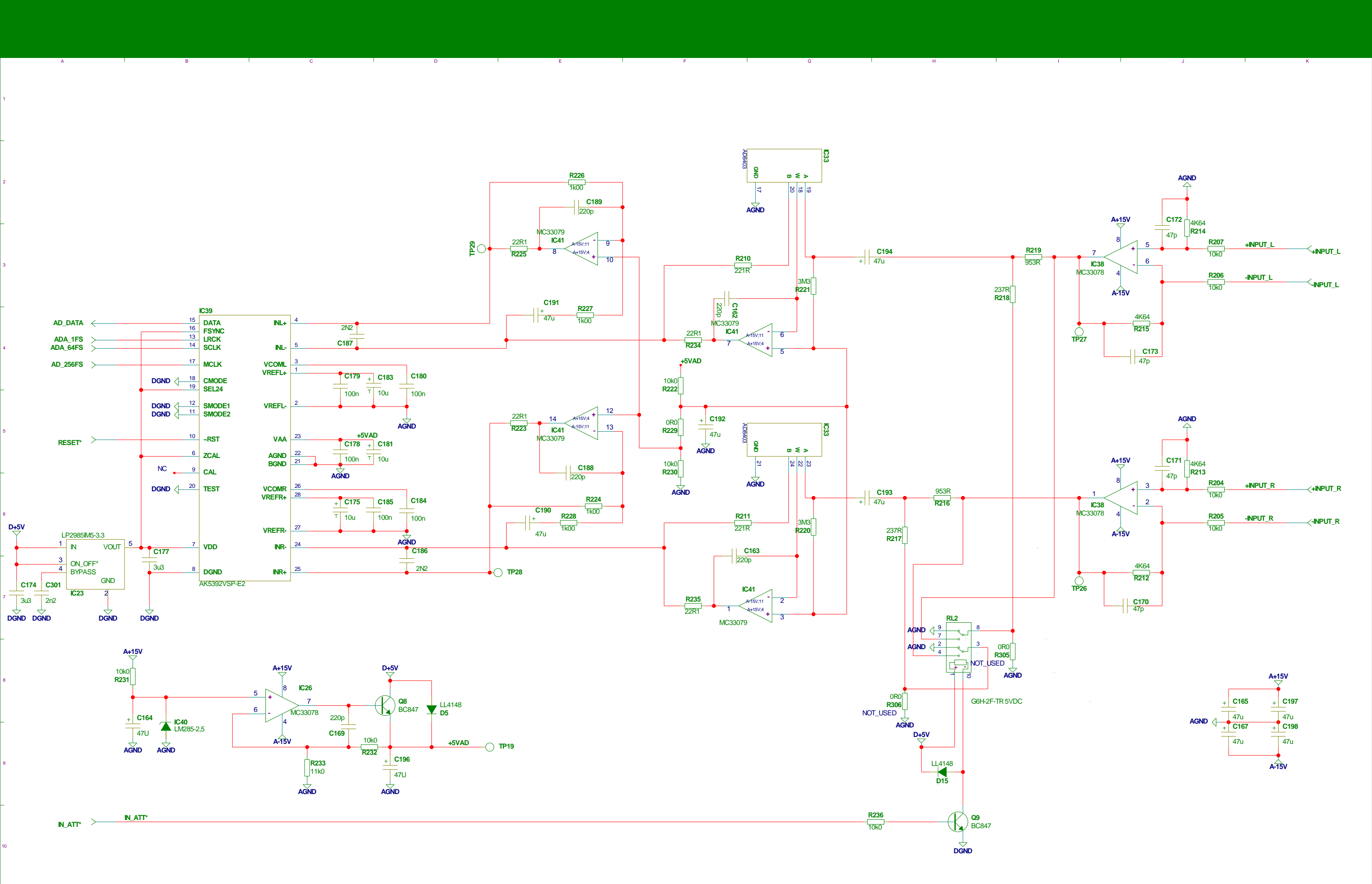
TC Electronic A/S		Designer MAR
Title MAINBOARD DB2		Module title P13006_WX2ASI_P13006-DH_1
Number P13006	Revision DHF	Previous page 1
Date 19-4-2011_11:20	Filename	Page / of 11 / 15



TC Electronic A/S		Designer MAR
Title MAINBOARD DB2	Module title P13006_WX2ADA_P13006-DH_1	
Number P13006	Revision DHF	Previous page 1
Date 19-4-2011_11:20	Filename	Page / of 12 / 15



TC Electronic A/S		Designer
Title		MAR
MAINBOARD DB2		Module title
P13006		P13006_WX2DA_P13006-DH_1
Number	Revision	Previous page
P13006	DHF	12
Date	Filename	Page / of
19-4-2011_11:20		13 / 15



TC Electronic A/S		Designer MAR
Title MAINBOARD DB2		Module title P13006_WX2AD_P13006-DH_1
Number P13006	Revision DHF	Previous page 12
Date 19-4-2011_11:21	Filename	Page / of 14 / 15

