

M3
P12551_B

M1
8996-04-100B

M14
8996-08-100B

M5
R2075-0C SPACER PLASTIC BLACK

M9
R2075-0C SPACER PLASTIC BLACK

M10
8996-08-100B

M13
8996-08-100B

M2
R2075-0C SPACER PLASTIC BLACK

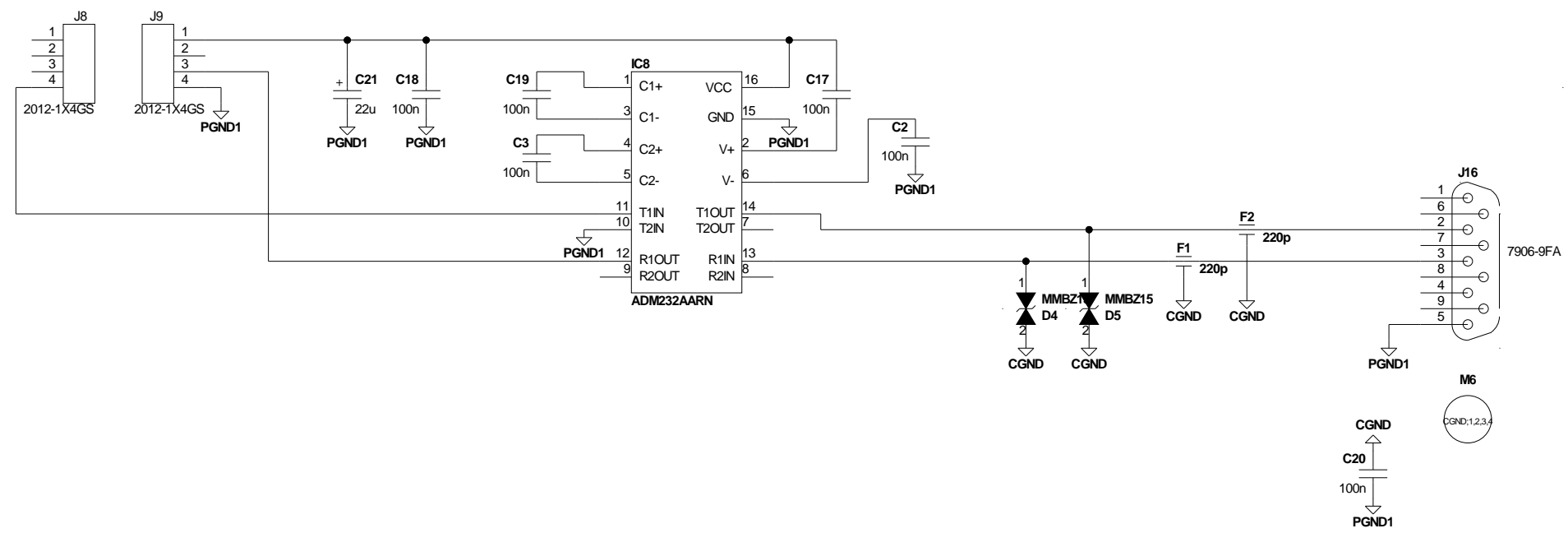
M8
R2075-0C SPACER PLASTIC BLACK

M11
8996-08-100B

M12
8996-08-100B

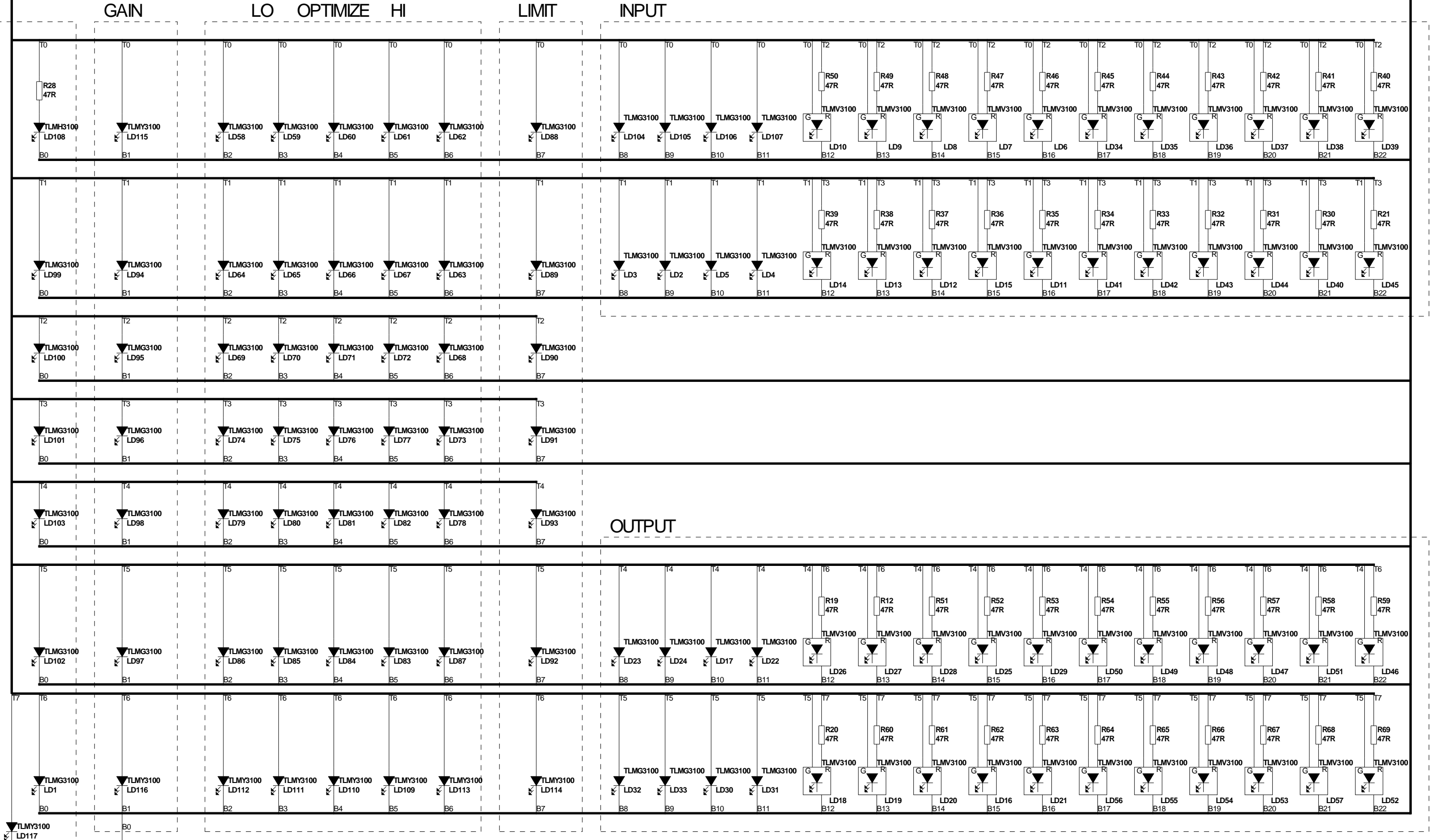
M4
R2075-0C SPACER PLASTIC BLACK

M7
R2075-0C SPACER PLASTIC BLACK

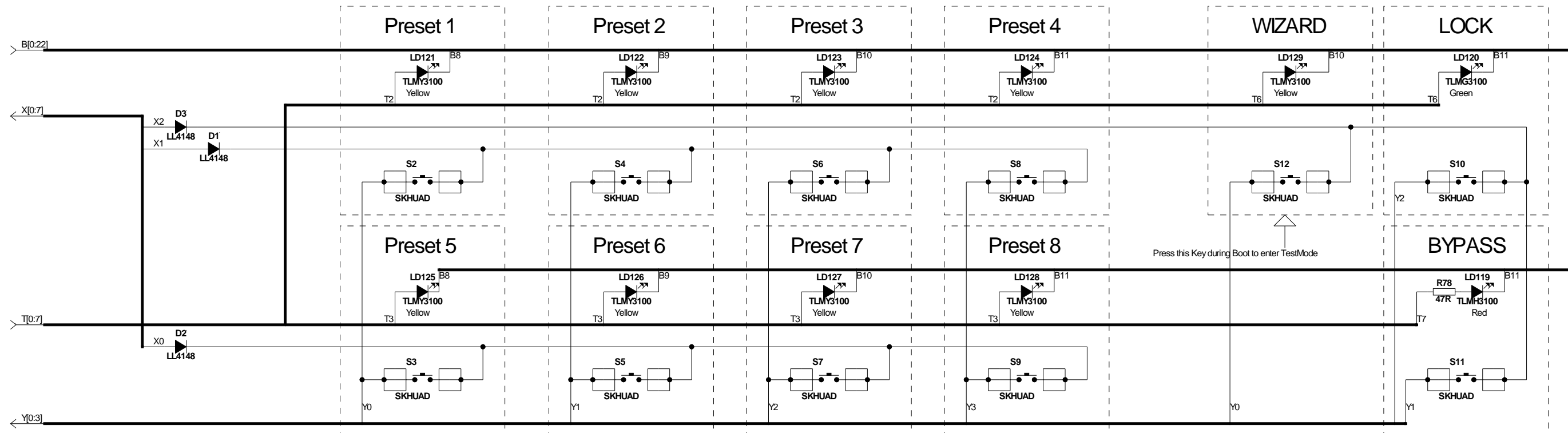


TC Electronic A/S		Designer HJE
Title P2 FRONT	Module title SERIAL_OUT	
Number P12511	Revision BAE	Previous page 4
Date 3-13-2009_10:44	Filename SERIAL_OUT	Page / of 5 / 5

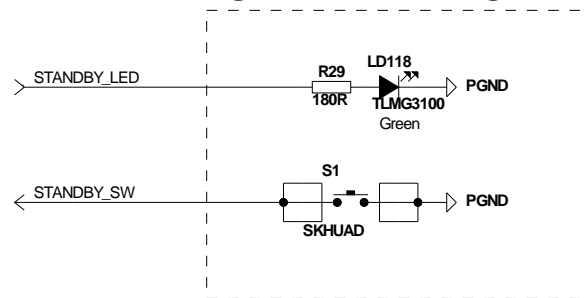
B[0:22]
 T[0:7]

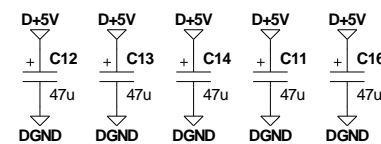
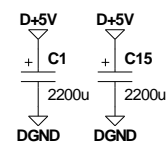
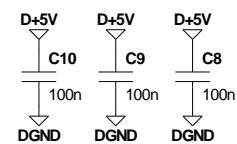
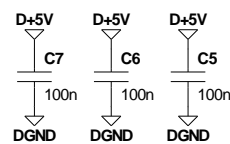
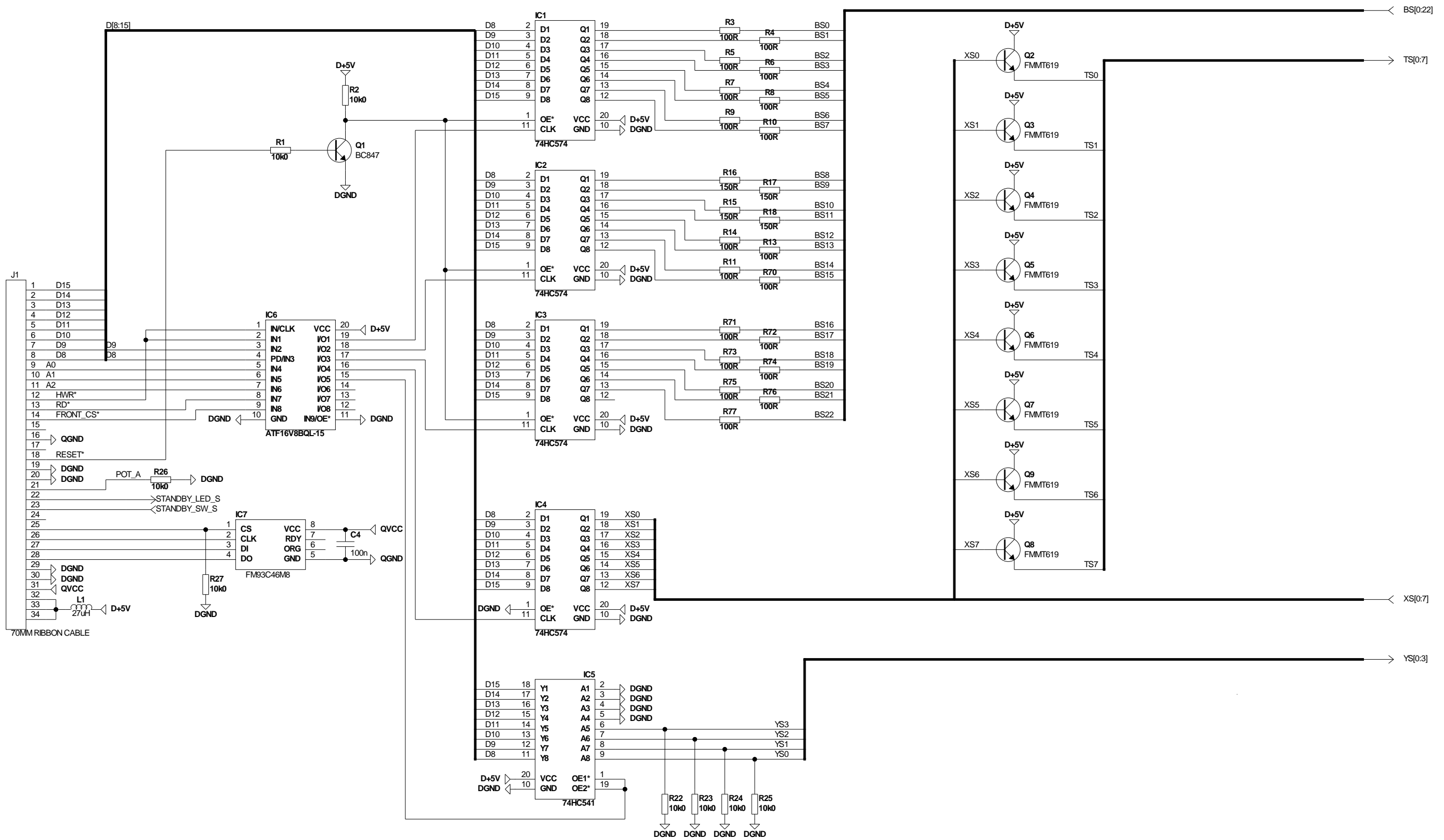


TC Electronic A/S		Designer HJE
Title P2 FRONT		Module title LED MATRIX SECTION
Number P12511	Revision BAE	Previous page 1
Date 3-13-2009_8:51	Filename LED_MATRIX	Page / of 2 / 5



STANDBY LED+SW





TC Electronic A/S		Designer HJE
Title P2 FRONT		Module title SCAN_CHAIN_SECTION
Number P12511	Revision BAE	Previous page 2
Date 3-13-2009_10:44	Filename SCAN_CHAIN	Page / of 3 / 5