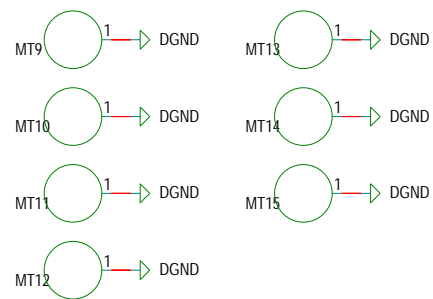
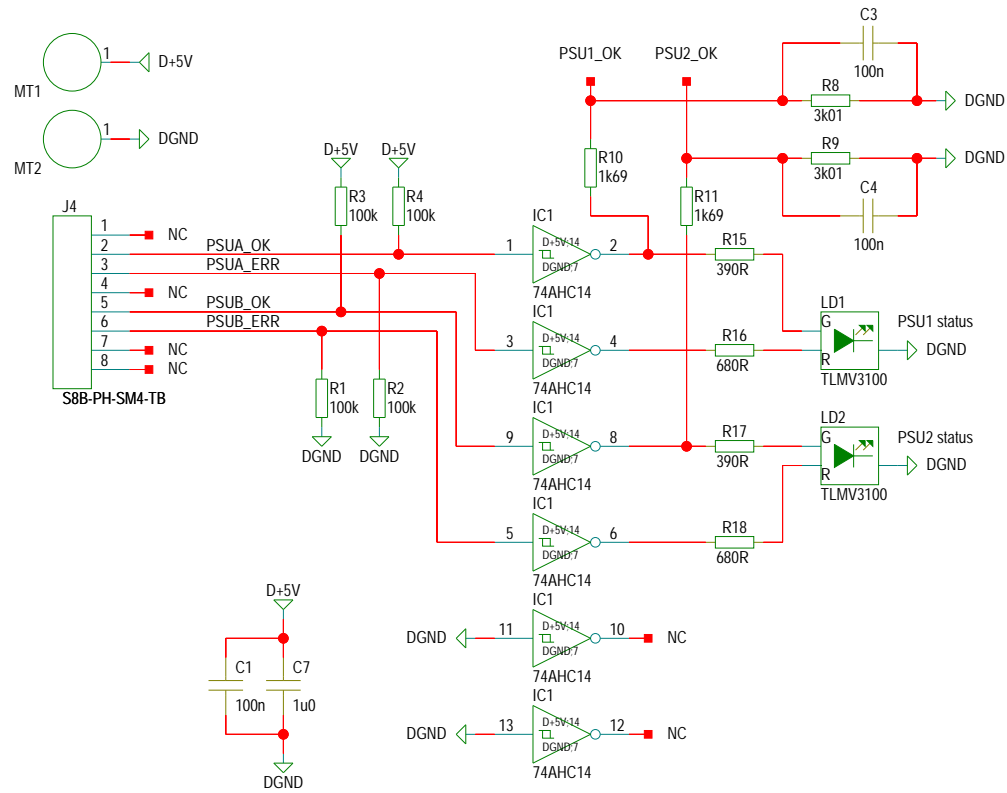
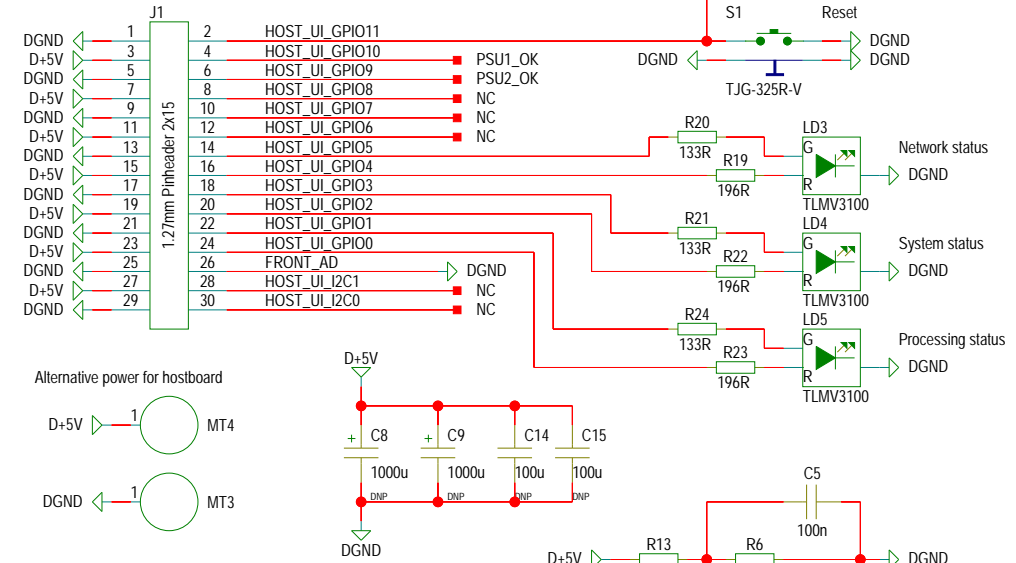


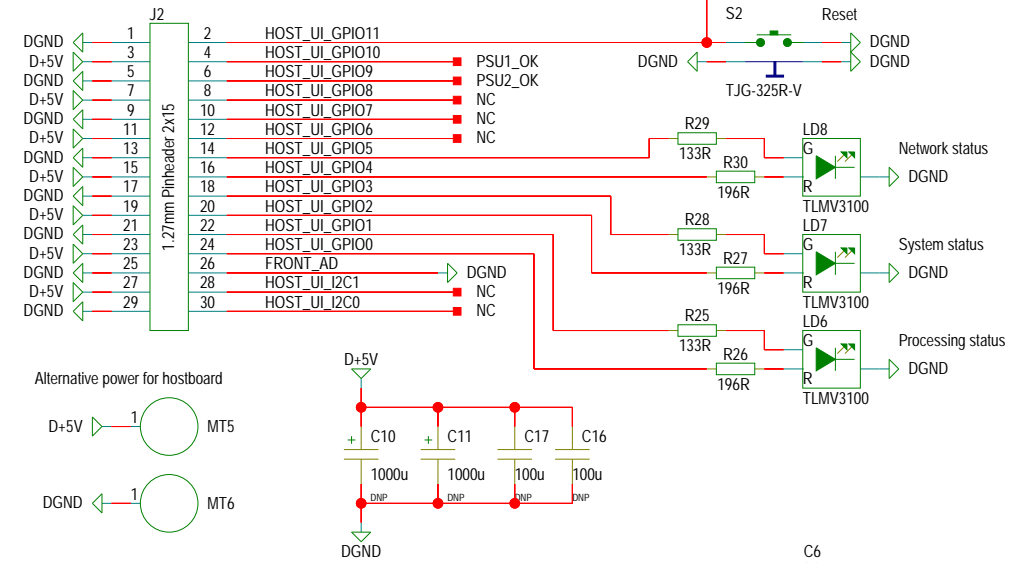
PSU connection



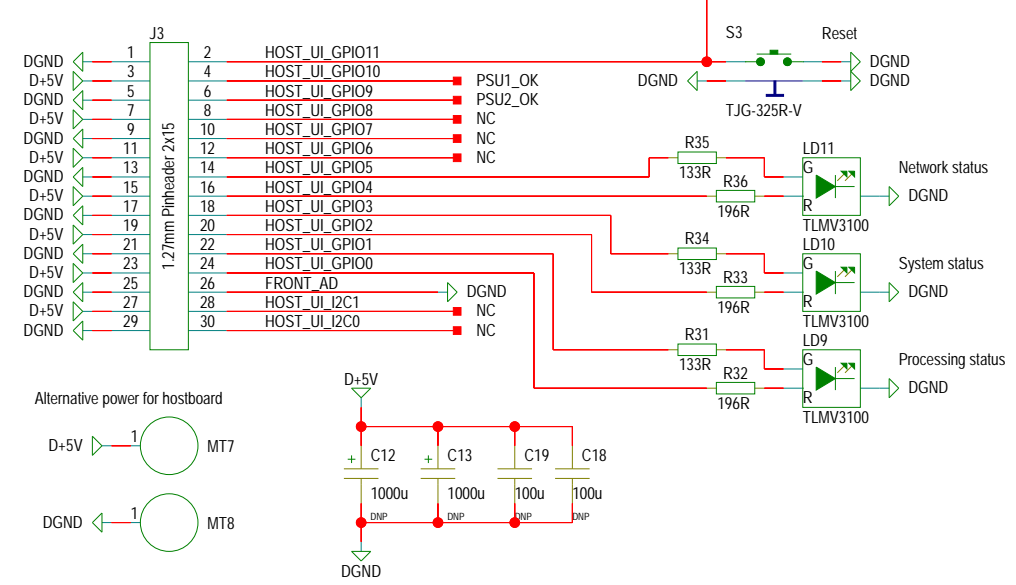
Host board 1



Host board 2



Host board 3



M1
P56050-B

tc electronic a/s				Designer(s) CGF/MFAMC
Title TOKYO TX1 FRONT				Module title TOP
Number P56050	Revision B	Variant A	Version A	Board type FRONT
Date 12-09-2012_10:55	Filename TCE_HEADER		Page / of 1 / 1	