

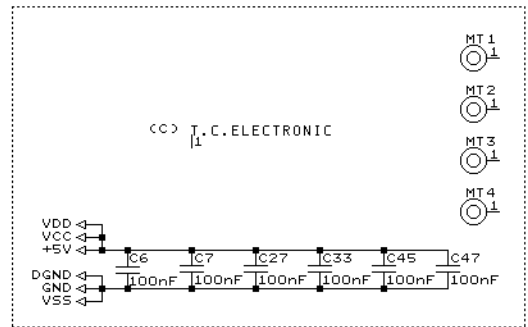
M5000 BUS

CONNECTOR

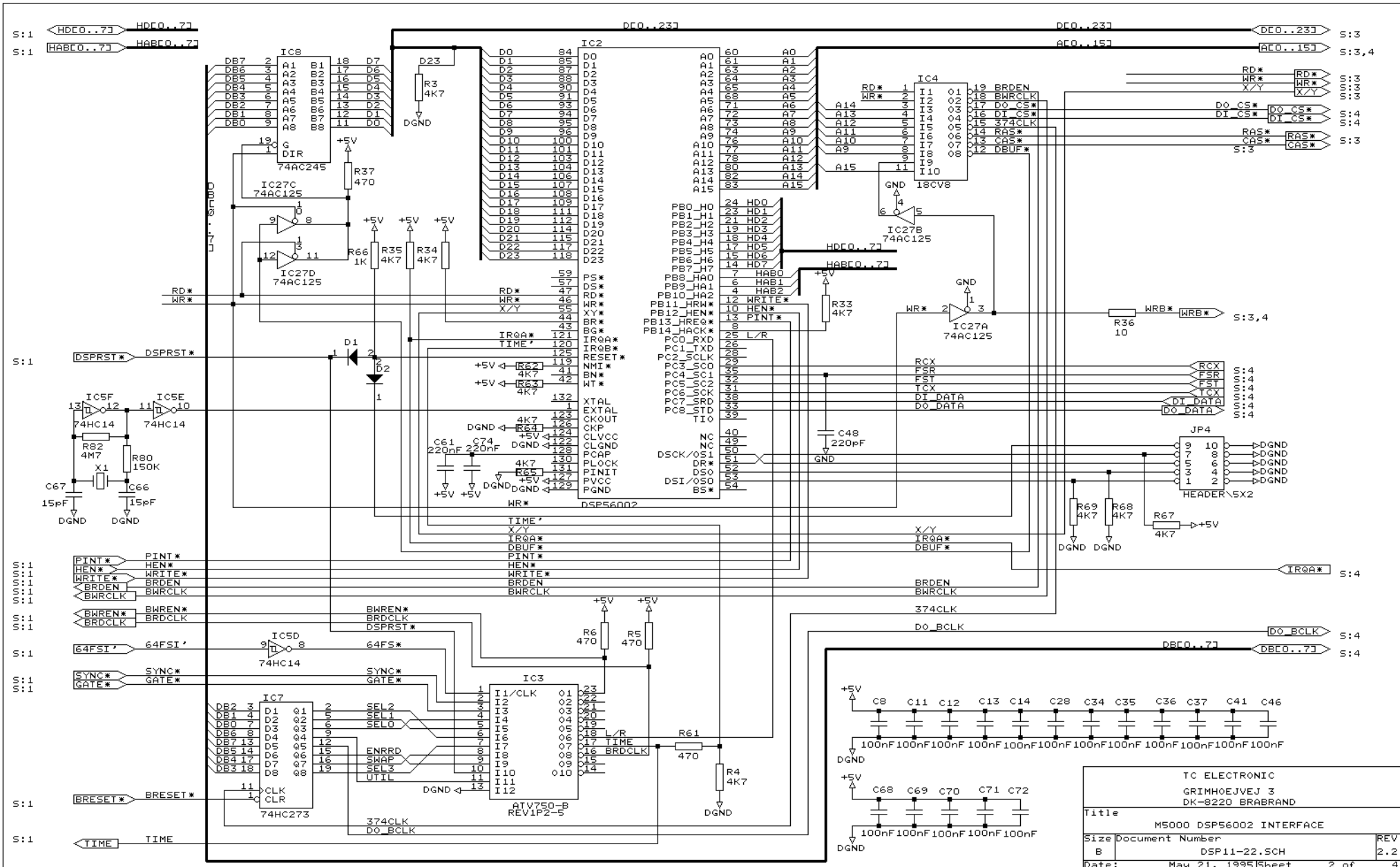
- B1 1 -> DGND
- B2 2 -> +18V
- B3 3 -> +5V
- B4 4 -> +5V
- B5 5 -> +5V
- B6 6 -> +5V
- B7 7 -> +5V
- B8 8 -> +5V
- B9 9 -> +5V
- B10 10 -> +5V
- B11 11 -> +5V
- B12 12 -> +5V
- B13 13 -> +5V
- B14 14 -> +5V
- B15 15 -> +5V
- B16 16 -> +5V
- B17 17 -> +5V
- B18 18 -> +5V
- B19 19 -> +5V
- B20 20 -> +5V
- B21 21 -> +5V
- B22 22 -> +5V
- B23 23 -> +5V
- B24 24 -> +5V
- B25 25 -> +5V
- B26 26 -> +5V
- B27 27 -> +5V
- B28 28 -> +5V
- B29 29 -> +5V
- B30 30 -> +5V
- B31 31 -> +5V
- B32 32 -> +5V
- B33 33 -> +5V
- B34 34 -> +5V
- B35 35 -> +5V
- B36 36 -> +5V
- B37 37 -> +5V
- B38 38 -> +5V
- B39 39 -> +5V
- B40 40 -> +5V
- B41 41 -> +5V
- B42 42 -> +5V
- B43 43 -> +5V
- B44 44 -> +5V
- B45 45 -> +5V
- B46 46 -> +5V
- B47 47 -> +5V
- B48 48 -> +5V
- B49 49 -> +5V
- B50 50 -> +5V
- B51 51 -> +5V
- B52 52 -> +5V
- B53 53 -> +5V
- B54 54 -> +5V
- B55 55 -> +5V
- B56 56 -> +5V
- B57 57 -> +5V
- B58 58 -> +5V
- B59 59 -> +5V
- B60 60 -> +5V
- B61 61 -> +5V
- B62 62 -> +5V
- B63 63 -> +5V
- B64 64 -> +5V

DIN\64P

NB.: '*' not mounted on DSP-2



TC ELECTRONIC		
GRIMHOEJVEJ 3		
DK-8220 BRABRAND		
Title	M5011 DSP mk.II 1 & 2-BOARD	
Size	Document Number	REV
B	M5011-22.SCH	2.2
Date:	May 21, 1995	Sheet 1 of 4

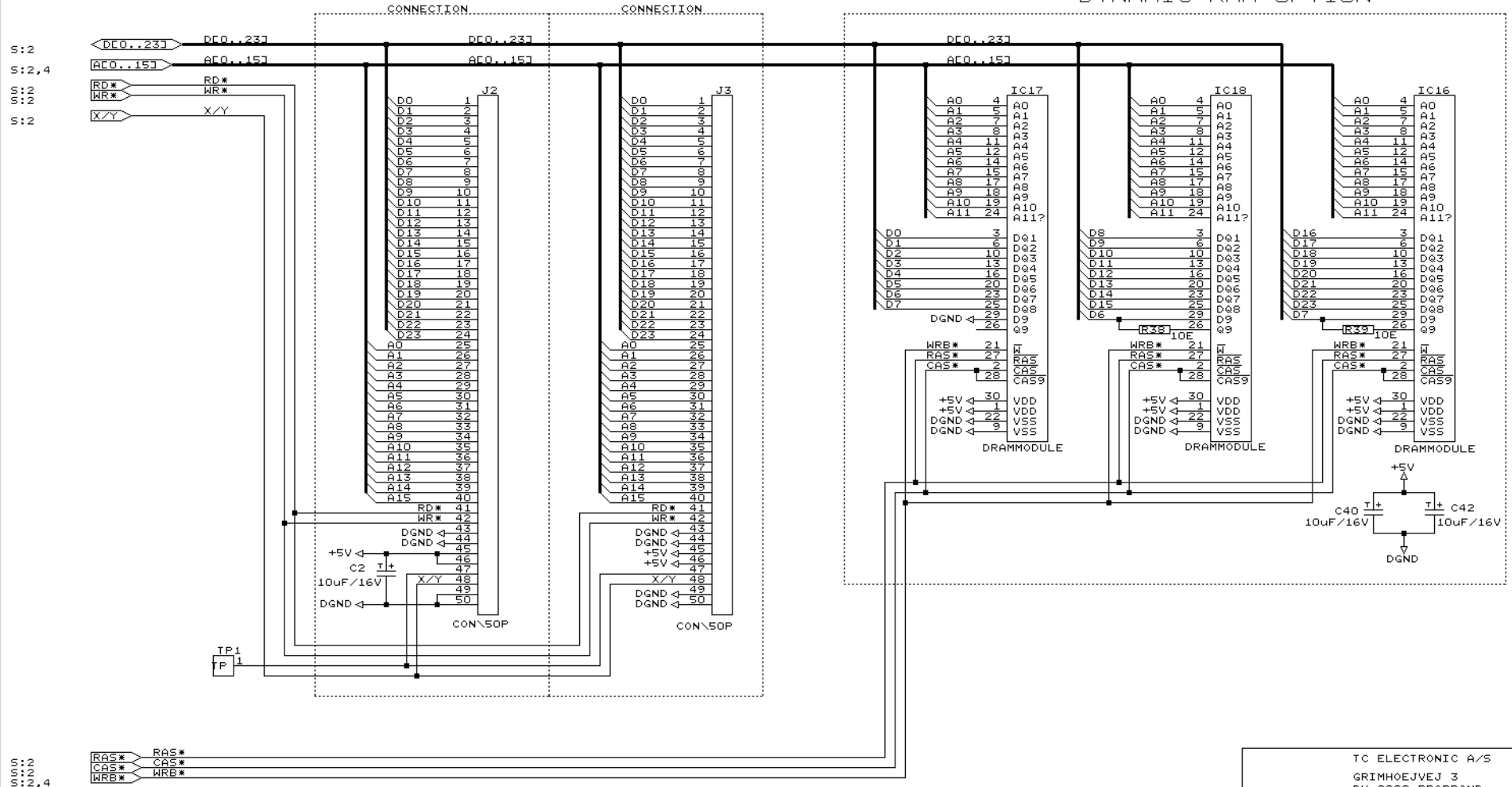


TC ELECTRONIC			
GRIMHOEJVEJ 3			
DK-8220 BRABRAND			
Title M5000 DSP56002 INTERFACE			
Size	Document Number	REV	
B	DSP11-22.SCH	2.2	
Date:	May 21, 1995	Sheet	2 of 4

DIR-CARD ASIC

STATIC RAM OPTION

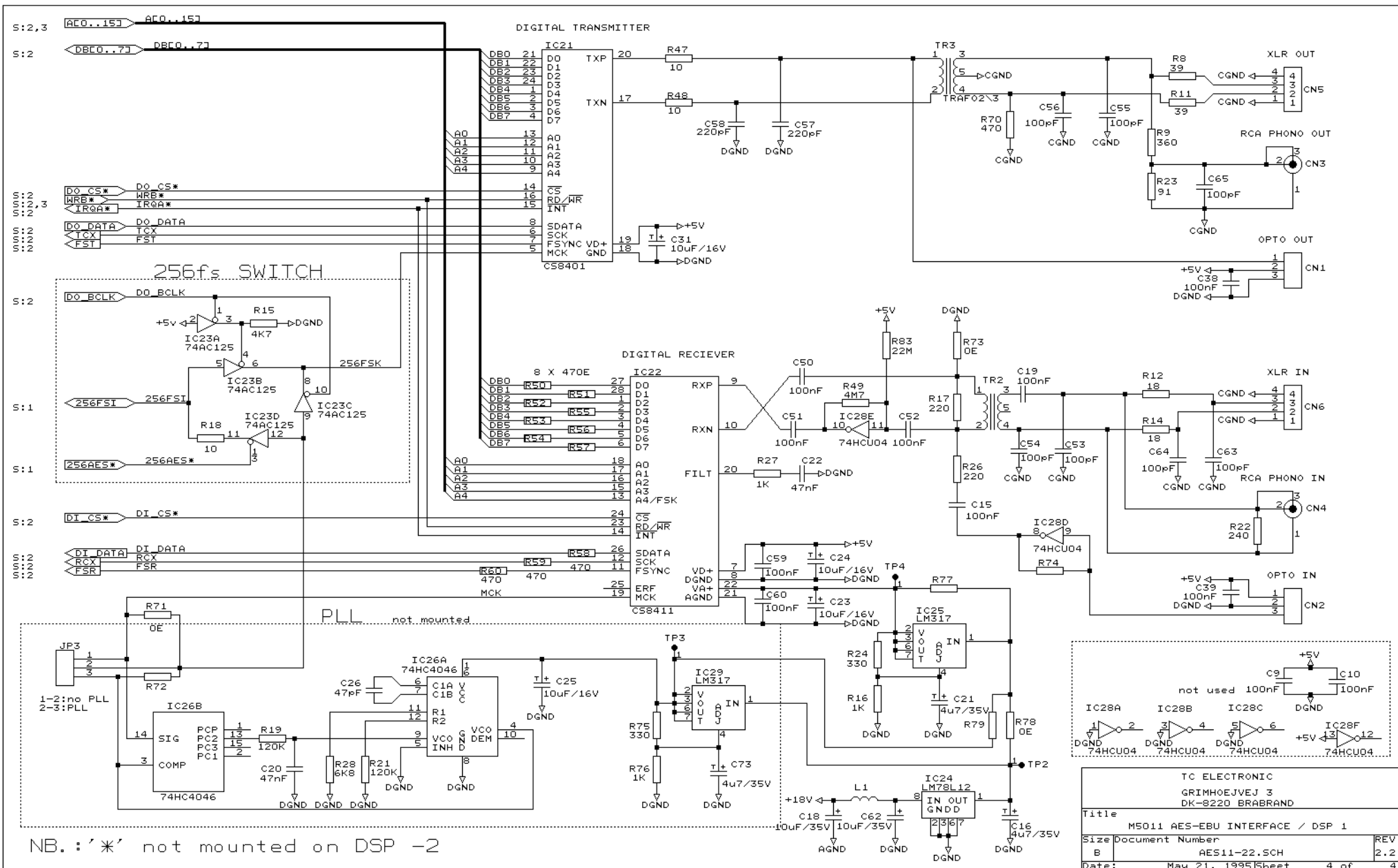
DYNAMIC RAM OPTION



S:0,5
S:2
S:12,4

RAS* RAS*
CAS* CAS*
WRB* WRB*

TC ELECTRONIC A/S		
GRIMHØJVEJ 3		
DK-8220 BRABRAND		
DENMARK		
Title		
M5000/DYN-RAM CON/DIR-CARD CONNECTIONS		
Size	Document Number	REV
B	RAMCON22.SCH	2.2
Date:	May 21, 1995	Sheet 3 of 4



NB.: '*' not mounted on DSP -2

TC ELECTRONIC		
GRIMHOEJVEJ 3		
DK-8220 BRABRAND		
Title	M5011 AES-EBU INTERFACE / DSP 1	
Size	Document Number	REV
B	AES11-22.SCH	2.2
Date:	May 21, 1995	Sheet 4 of 4