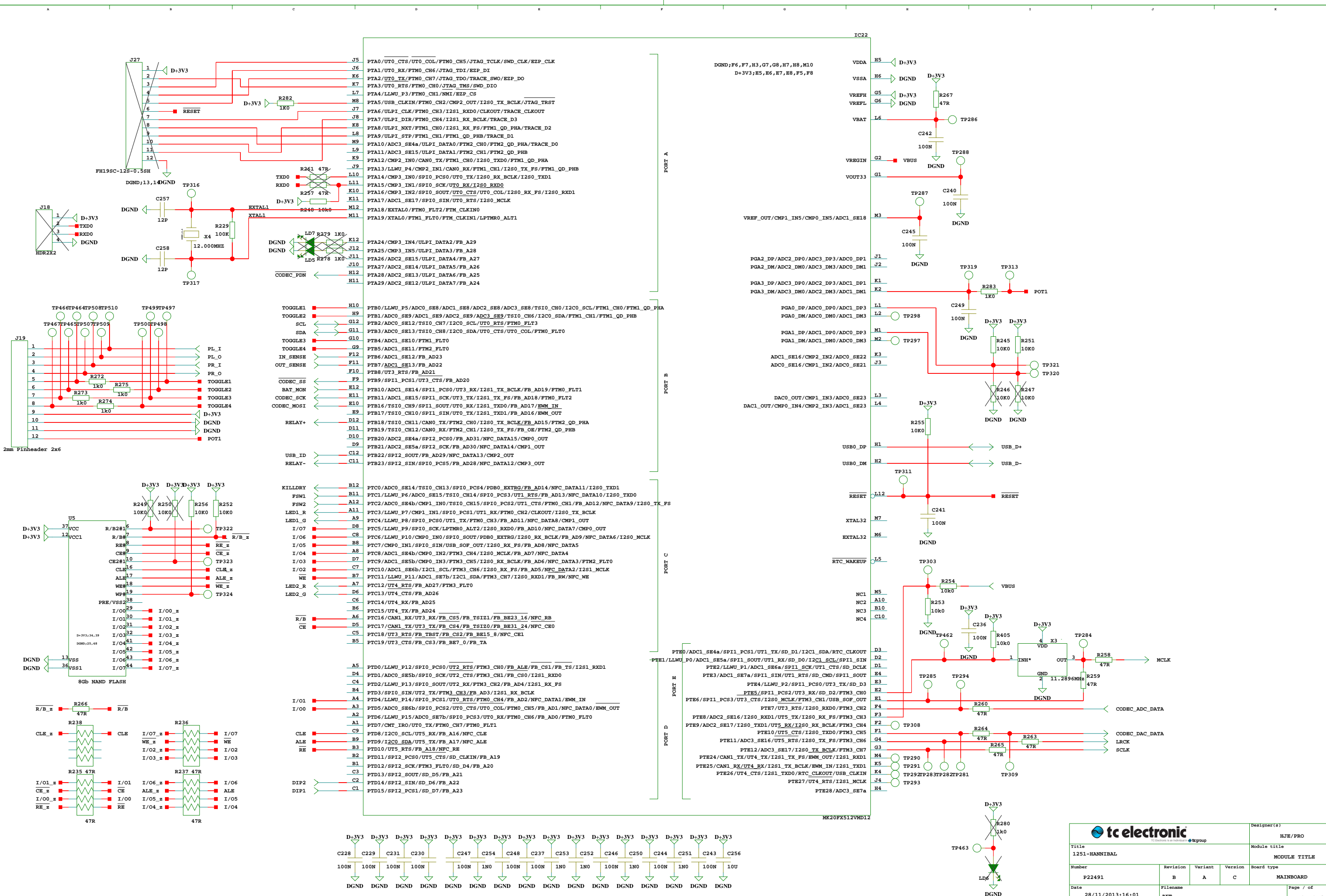
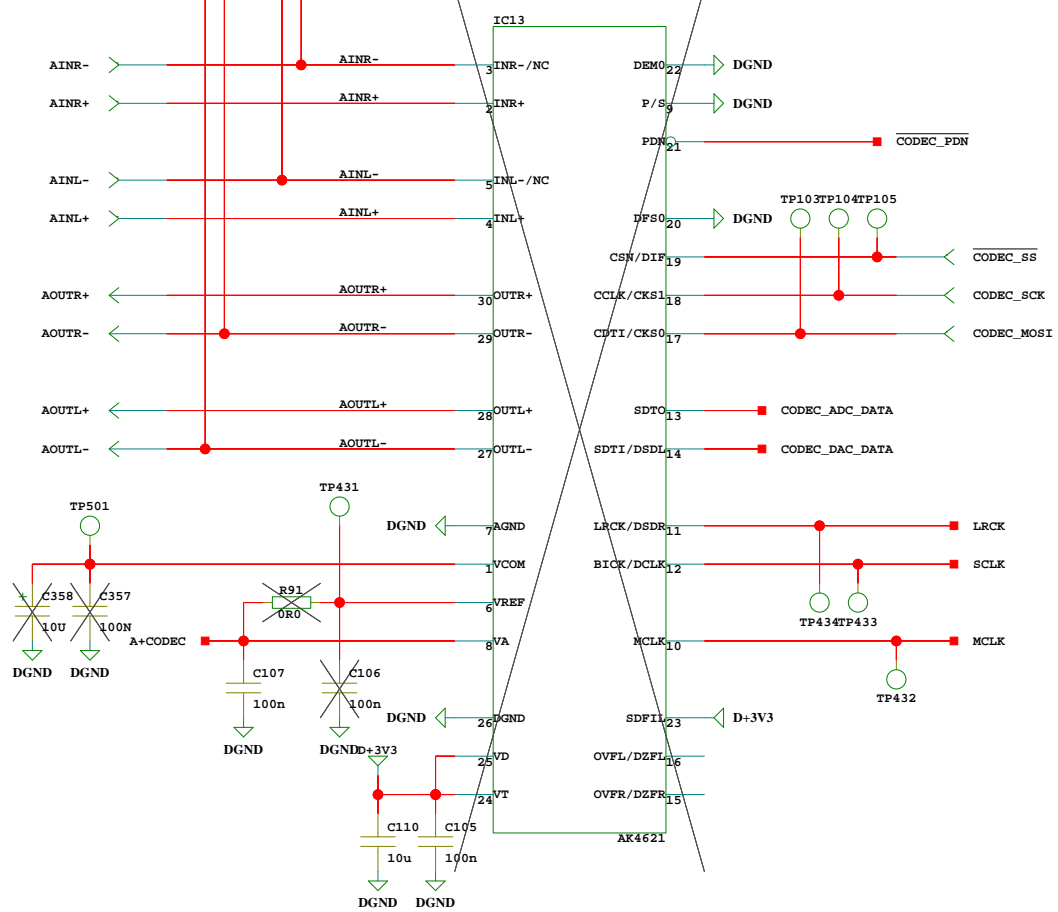
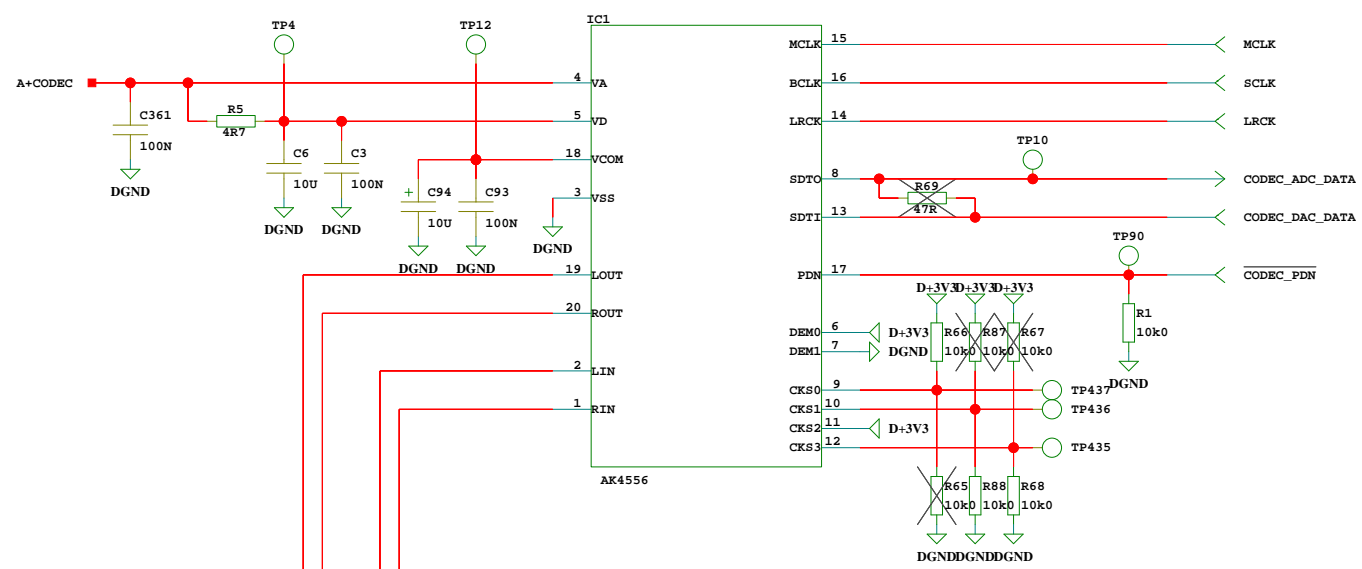
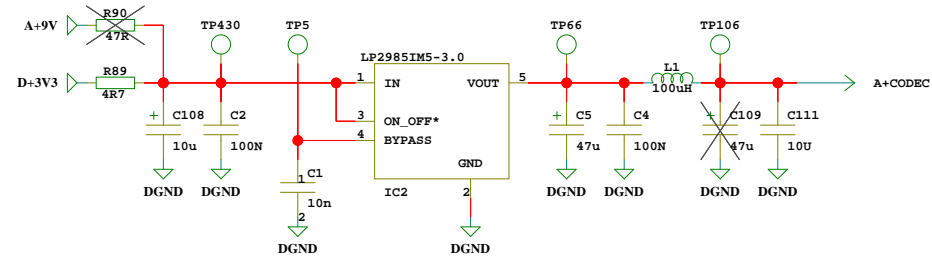


M1
P22491-B
pcb

				Designer(s) HJE/PRO	
Title 1251-HANNIBAL				Module title MODULE TITLE	
Number P22491	Revision B	Variant A	Version C	Board type MAINBOARD	
Date 28/11/2013:16:00	Filename P22491-A			Page / of 1 / 8	



		Designer(s)	
		HJE/PRO	
Title		Module title	
1251-HANNIBAL		MODULE TITLE	
Number	Revision	Variant	Version
P22491	B	A	C
Date	Filename	Board type	
28/11/2013:16:01	arm	MAINBOARD	
Page / of		2 / 8	



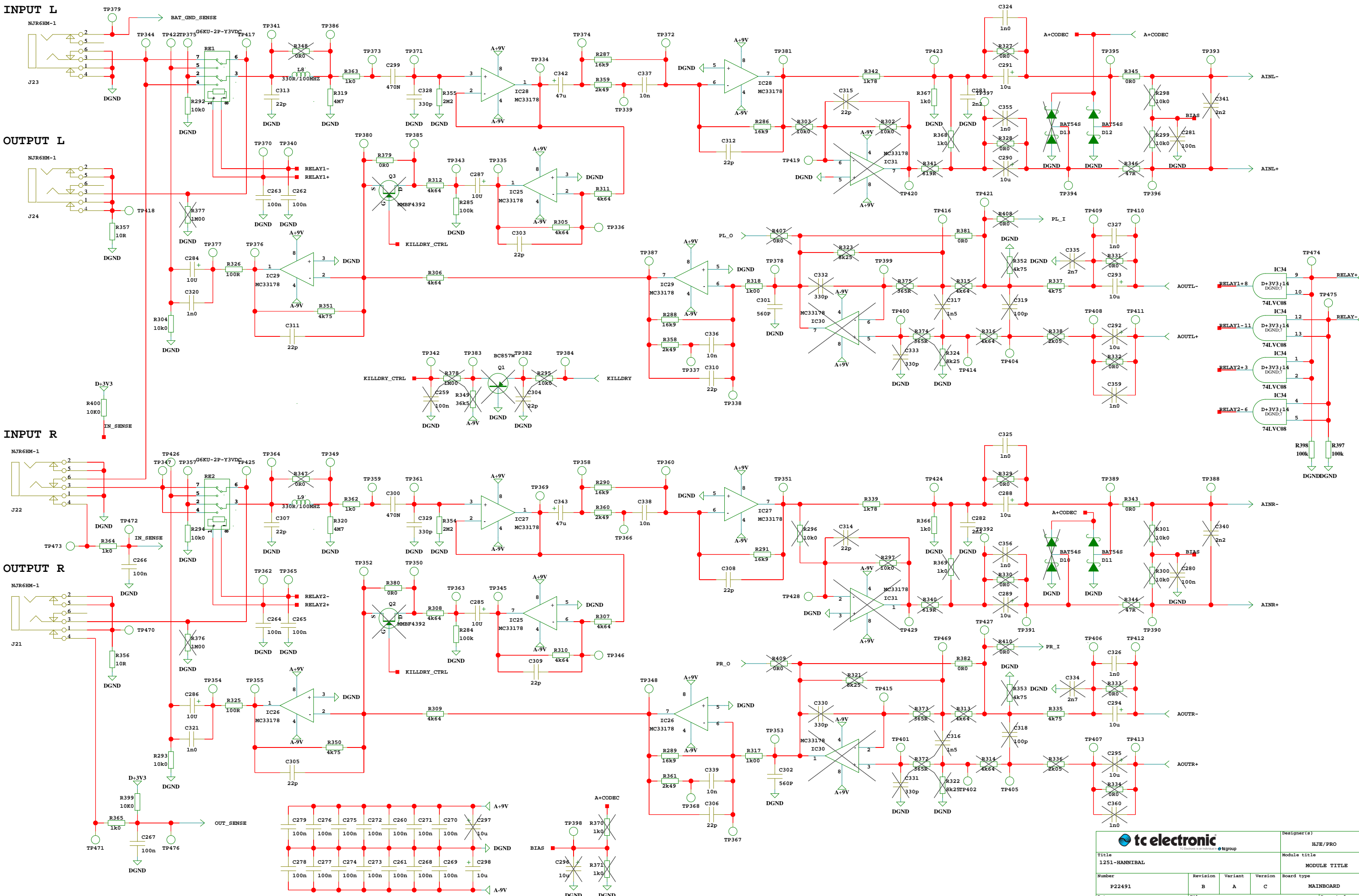
				Designer(s)	
				HJE/PRO	
Title				Module title	
1251-HANNIBAL				MODULE TITLE	
Number	Revision	Variant	Version	Board type	
P22491	B	A	C	MAINBOARD	
Date	Filename	Page / of			
28/11/2013:16:00	codec	3 / 8			

INPUT L

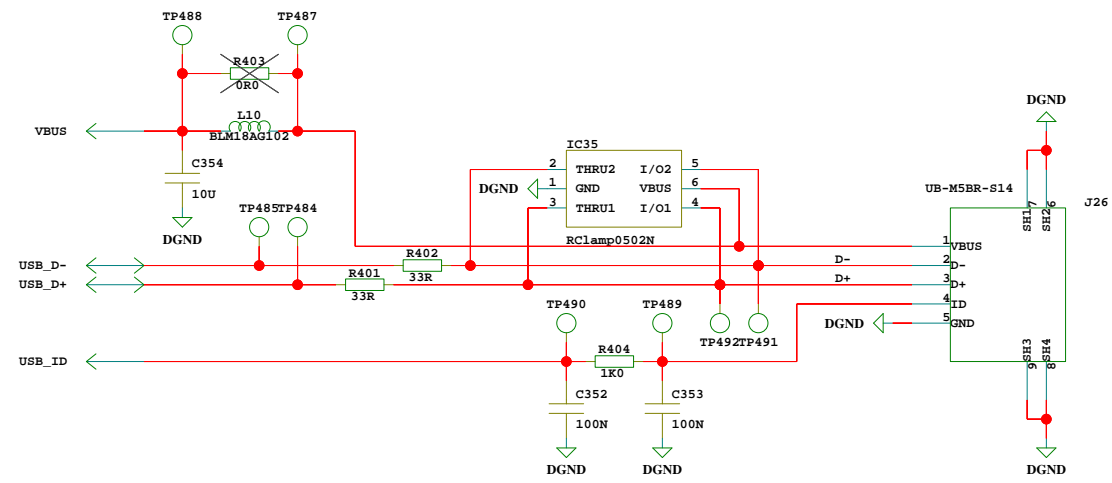
OUTPUT L

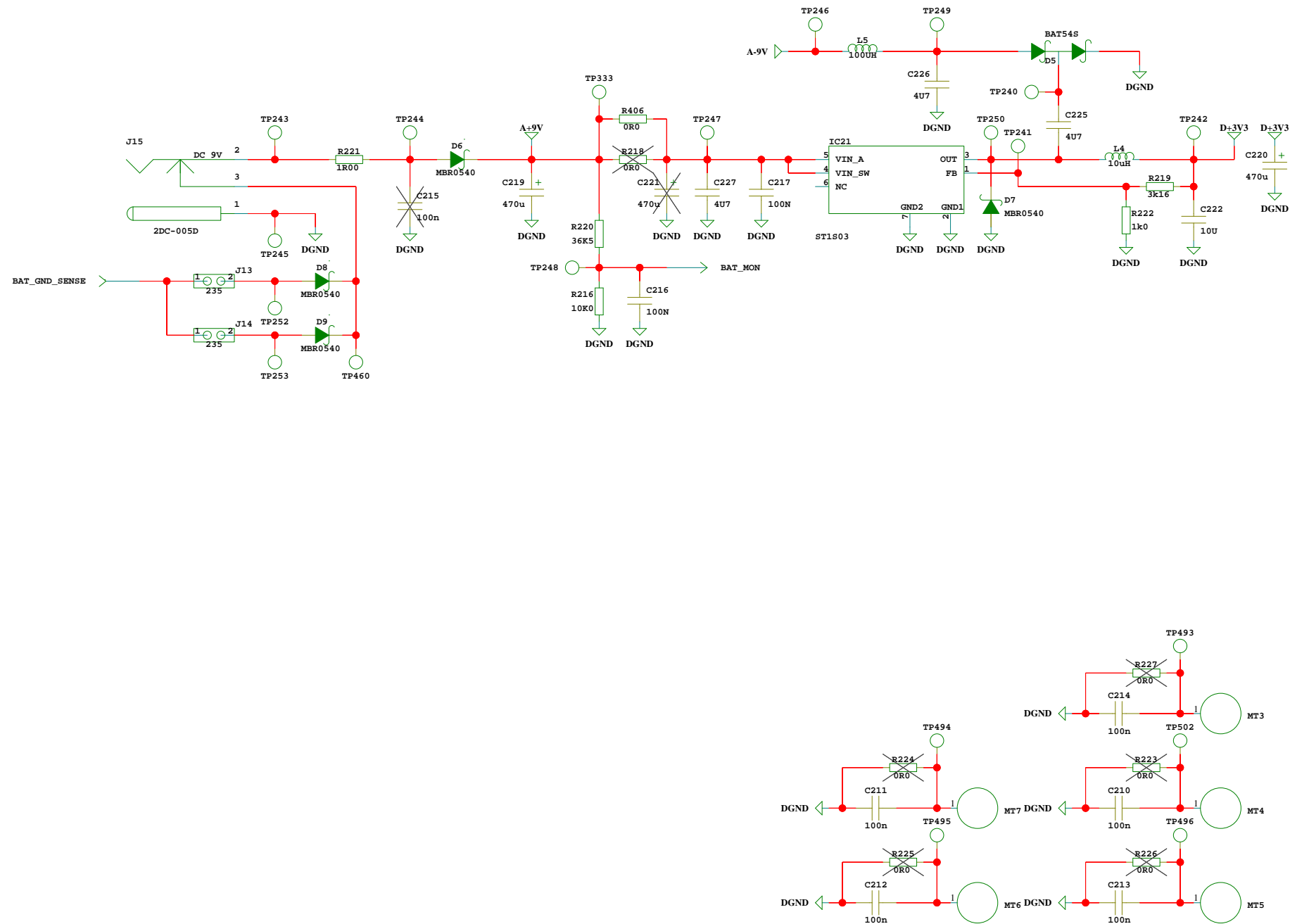
INPUT R

OUTPUT R

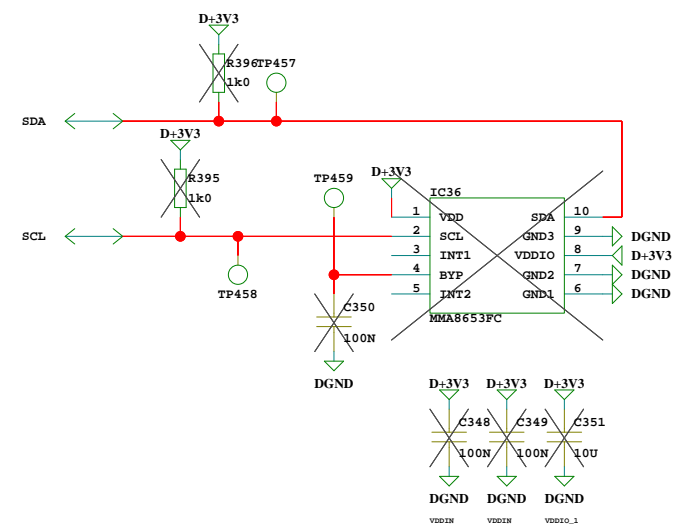
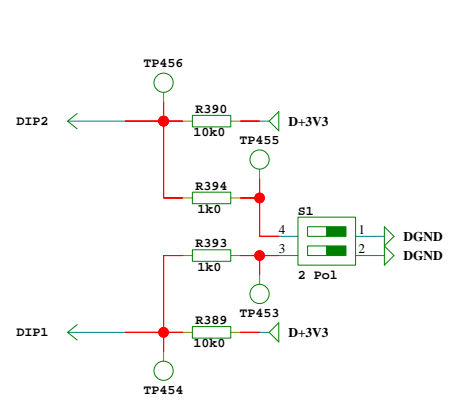
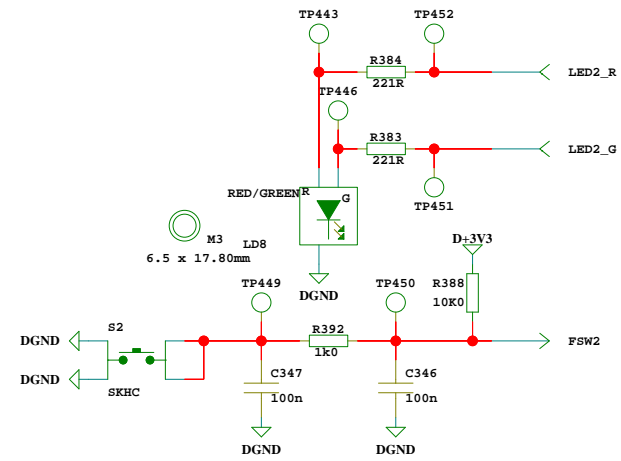
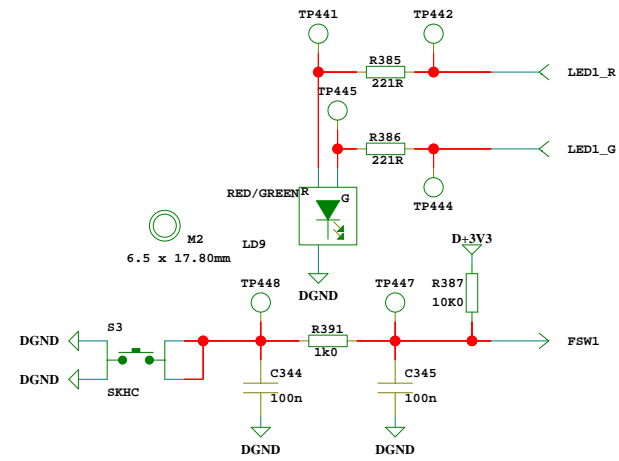


tc electronic				Designer(s)
				HJE/PRO
Title				Module title
1251-HANNIBAL				MODULE TITLE
Number	Revision	Variant	Version	Board type
P22491	B	A	C	MAINBOARD
Date	Filename			Page / of
28/11/2013:16:01	analog			4 / 8

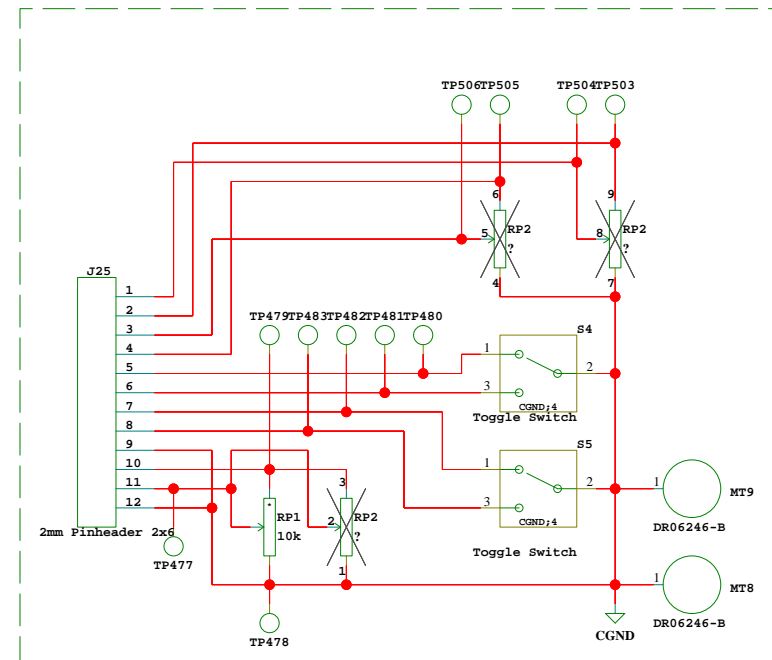




				Designer(s)	
				HJE/PRO	
Title				Module title	
1251-HANNIBAL				MODULE TITLE	
Number	Revision	Variant	Version	Board type	
P22491	B	A	C	MAINBOARD	
Date	Filename			Page / of	
28/11/2013:16:01	power			6 / 8	



UI Breakoff



Debug Breakoff

