

<b>Service Note</b>		
Product	Description:	Service note no.
<b>DBMAX</b>	<b>Analog Input termination</b>	<b>720 10 T065</b>

The DBMax can now be modified for use in 600 ohm terminated environments.

**This modification requires software version 2.90 or higher.**

The software auto-detects if hardware mod has been carried out.

If "In Term Comp" (Utility page) set to on "dBm" replaces "dBu" for on-screen level measure.

"In Term Comp" will show "---" if the modification is not performed.

Note: New DBMaxes dispatched from TC are **not** hardware modified unless requested.

Modifications should only be carried out by authorized technicians.

Procedure:

1. **Make a backup of the user presets on a memory card.**
2. Load software version 2.90 (or newer)
3. **Power Off and Disconnect Power Cord.**
4. Remove the top lid by loosen five screws.
  
5. Add a solder jumper as option 2 (R293). Please refer to figure 1.
6. Fit two 2k05 1% resistors between pin 2 and 3 of the two XLR analog inputs.  
Free solder joints are available on top of PCB close to the connectors.  
Please refer to figure 2.
  
7. Mount the top lid again using the five screws.
8. Connect power.
9. Re-install user presets if erased.

**Note: for software version 2.90:**

The ANALOG I/O, DIGITAL I/O and SYSTEM SELFTEST shows erratically NOT OK

(The selftest can be performed correctly by removing R293 while testing)

Service Note		
Product	Description:	Service note no.
<b>DBMAX</b>	<b>Analog Input termination</b>	<b>720 10 T065</b>

Figure 1.

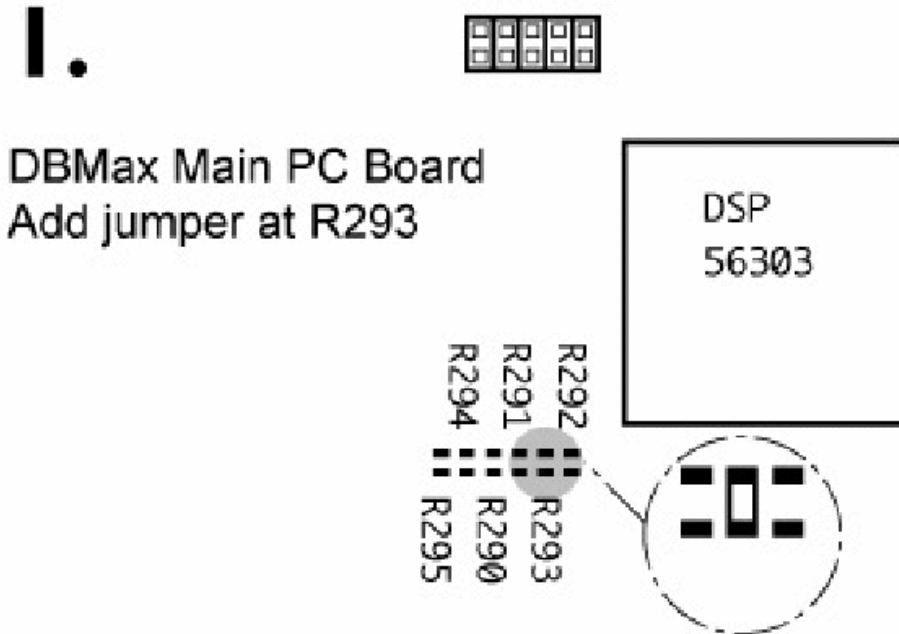


Figure 2.

