

Servicenote nr.760100000		
Product	Description:	Ref. / date
Penguin	Service guide M300 PSU replacement	Thsig / 20.12.04

IMPORTANT:

Modification should only be carried out by authorized technicians.

Standard procedure:

1. If there is no power on the unit remove the power cord from the unit
2. Please remove the lid and measure the power supply voltage levels shown in fig.1. If necessary replace the power supply (TC order nr. 7E50000111 - Switching Power Supply Unit – Penguin).

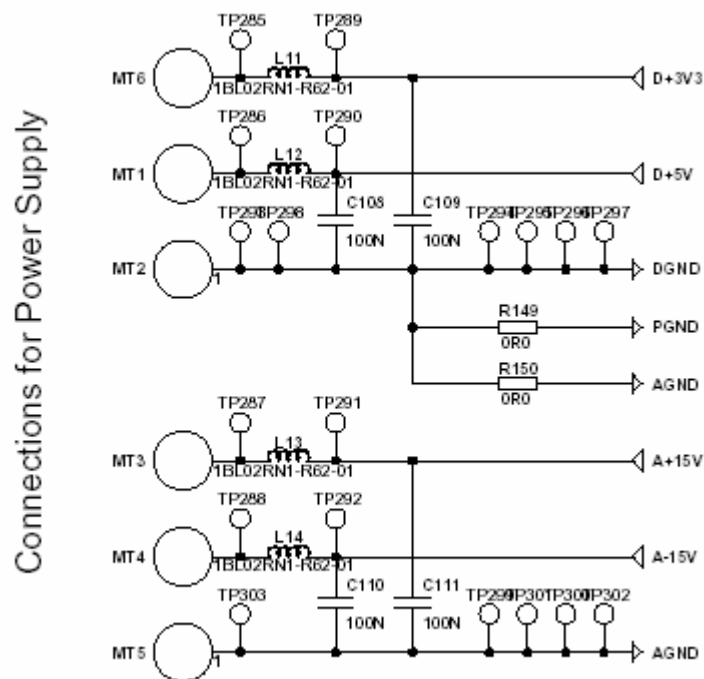


Fig.1

3. After you have replaced the power supply connect the power core and measure the voltage levels again to make sure it is working correctly.
4. Mount the lid on again and enjoy your sound of music.