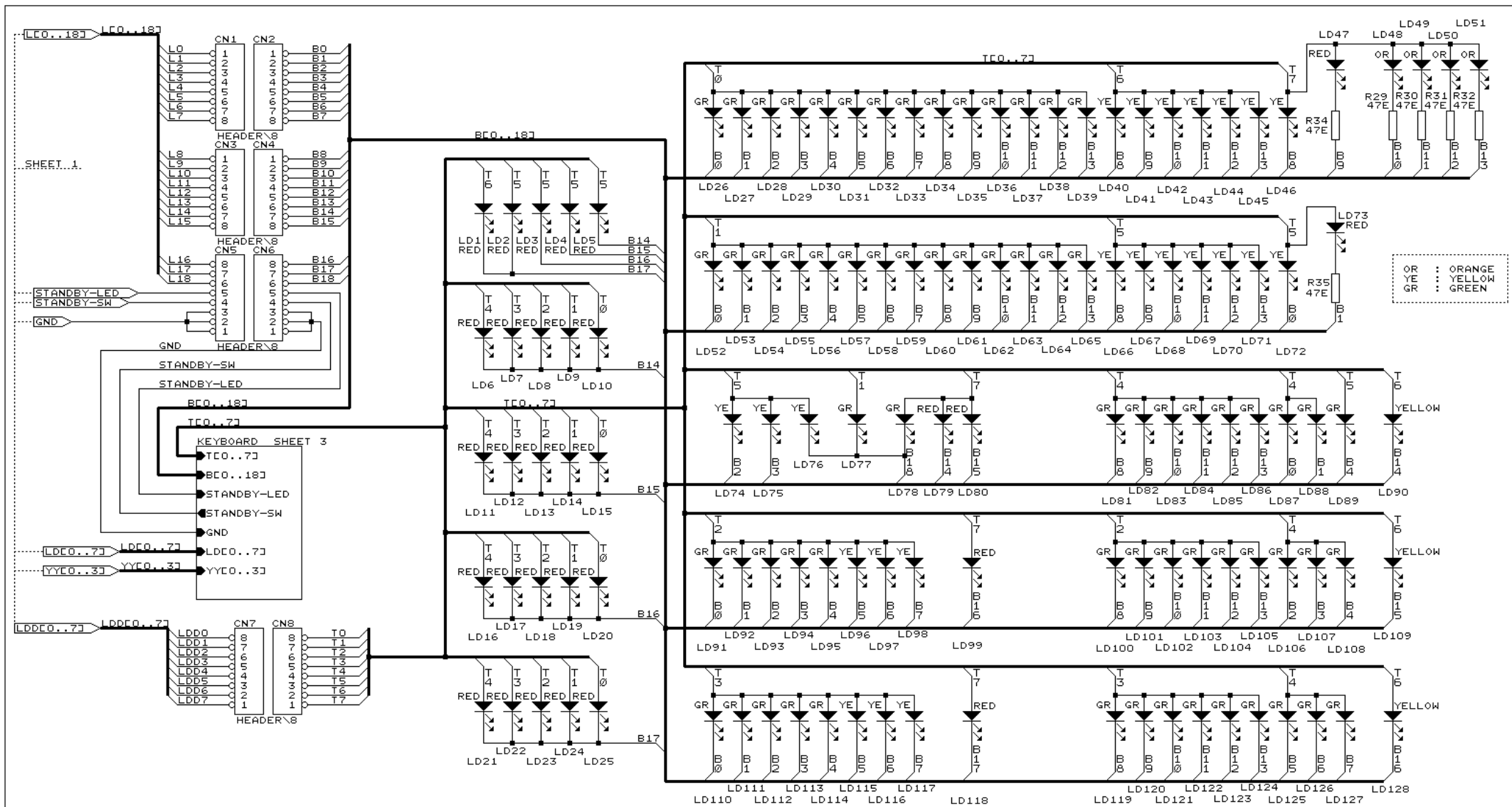


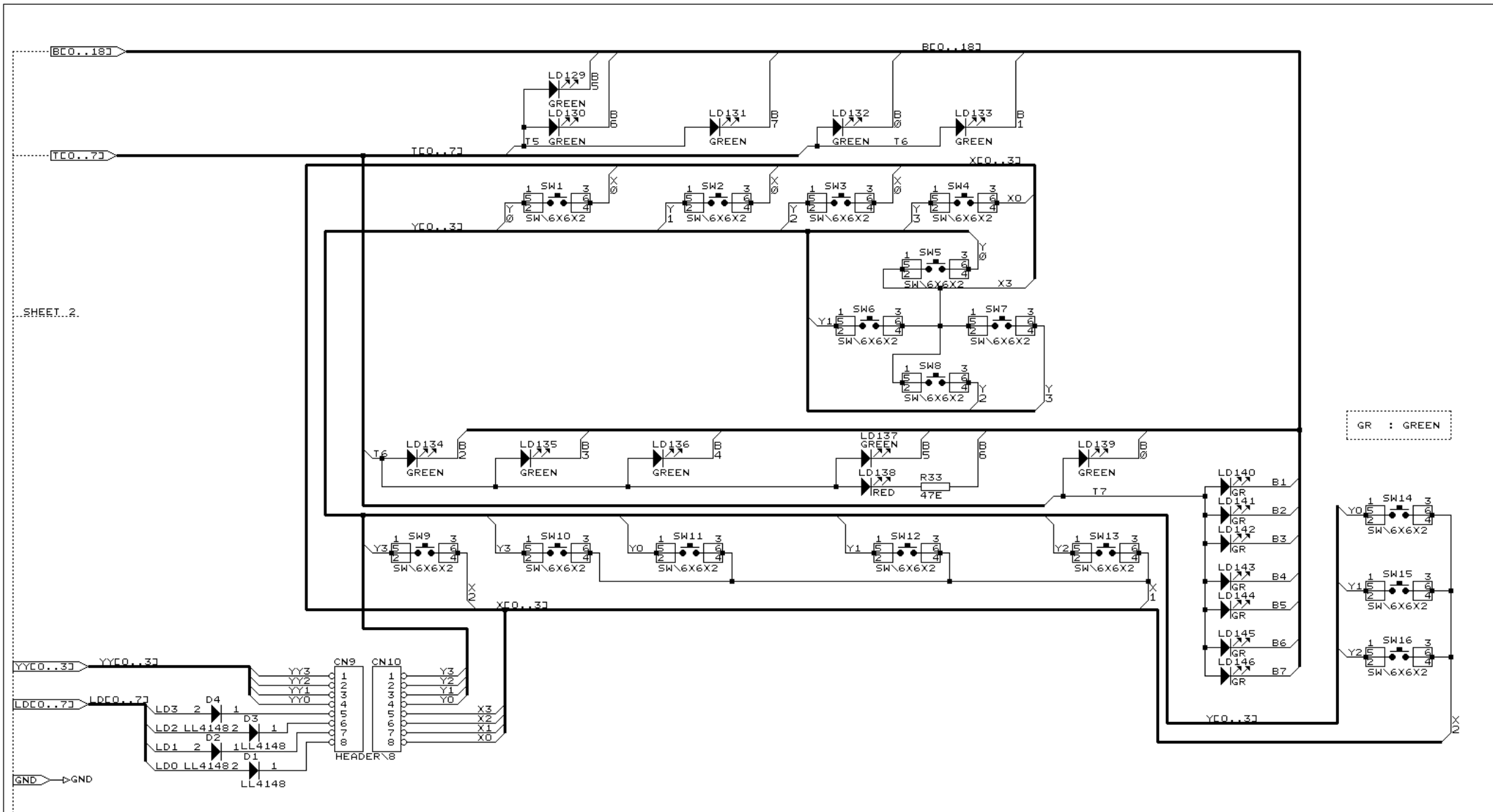
(#) : NOT USED

TC ELECTRONIC A/S		
PCB NAME: VIKING VII, PC12507-1		
Title "FINALIZER EXPRESS FRONT BOARD" MAIN		
Size	Document Number	REV
B	P1250710.SCH	1.0



TC ELECTRONIC A/S		
PCB NAME: VIKING VII, PC12507-1		
Title "FINALIZER EXPRESS FRONT BOARD" "LED MATRIX" AND METERS		
Size	Document Number	REV
B	VIK7FR10.SCH	1.0
Date:	May 27, 1999	Sheet 2 of 3

ALL VOLTAGES ARE MEASURED WITH DGND AS REFERENCE.



...SHEET..2.

GR : GREEN

(#) : NOT USED

TC ELECTRONIC A/S		
PCB NAME: VIKING VII, PC12507-1		
Title "FINALIZER EXPRESS FRONT BOARD" KEYBOARD		
Size	Document Number	REV
B	VIK7KY10.SCH	1.0
Date:	May 27, 1999	Sheet 3 of 3

ALL VOLTAGES ARE MEASURED WITH DGND AS REFERENCE.