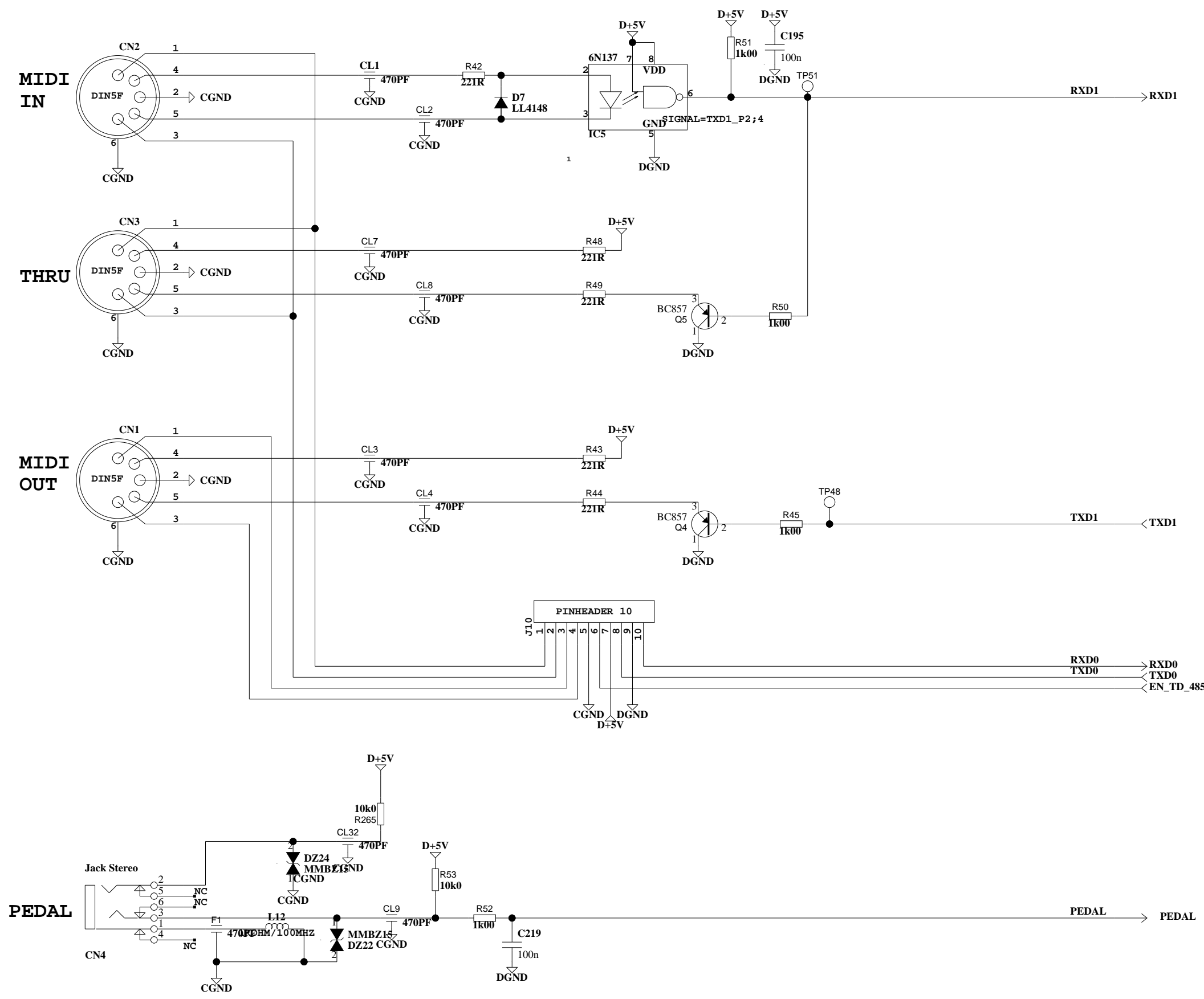
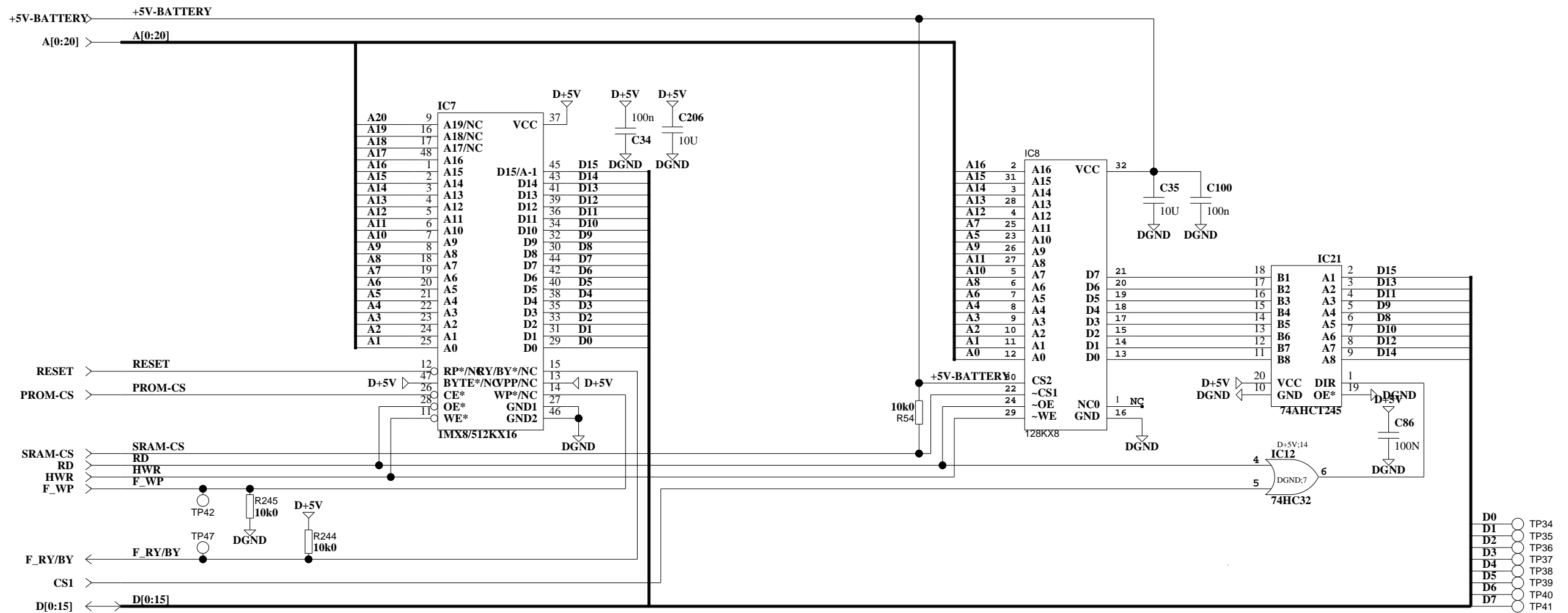
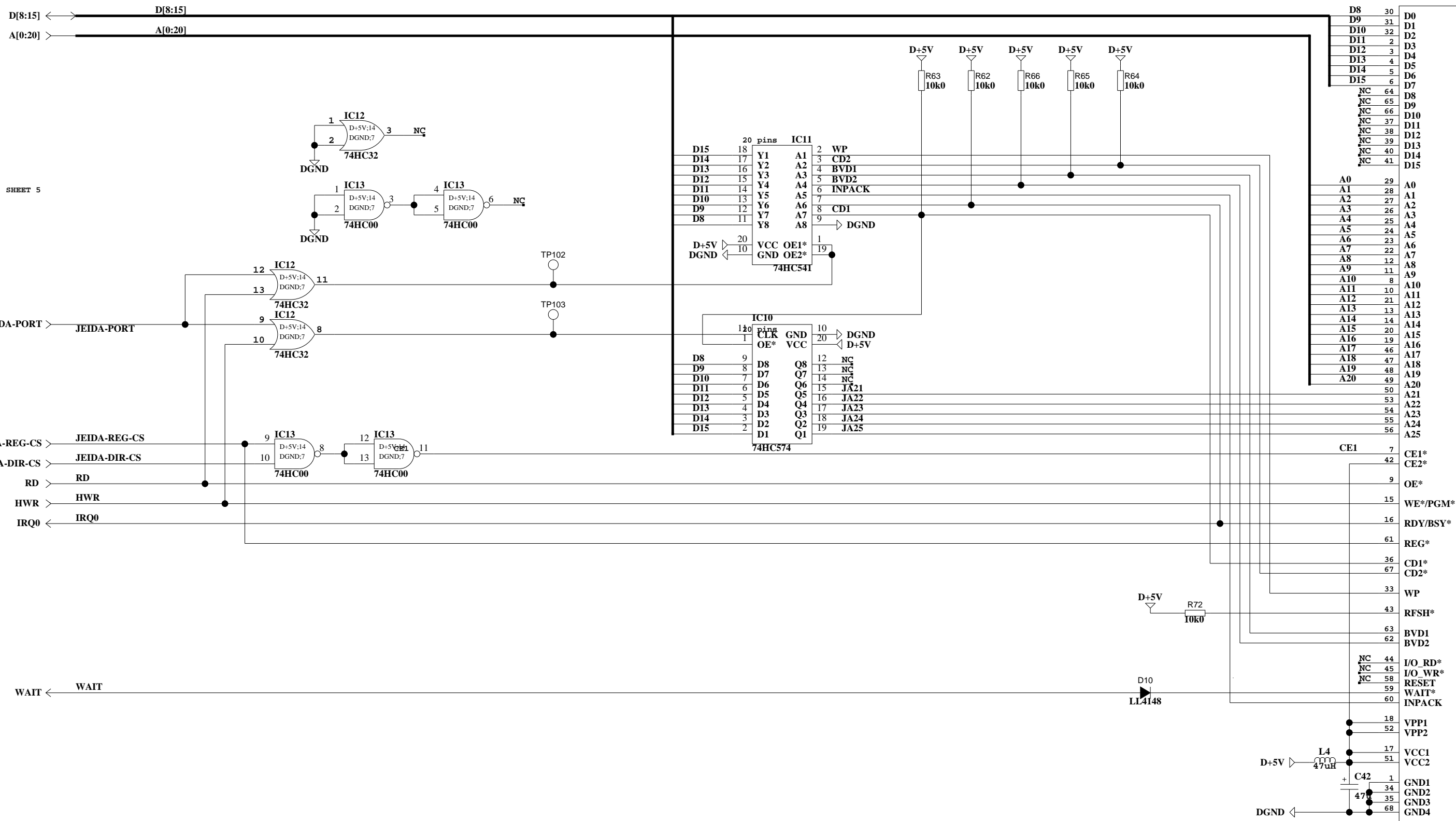


TC Electronic A/S		Designer
WIZARD2, 96KHZ		MAR
Title	Module title	
P13008	P13008-B P13008-BA	
Number	Revision	Previous page
P13008	AAC	1
Date	Filename	Page / of
4-12-2007 15:38		1 / 15



TC Electronic A/S		Designer MAR
Title WIZARD2, 96KHZ	Module title P13008_WX2INT_P13008-BA_1	
Number P13008	Revision AAC	Previous page 1
Date 4-12-2007 15:38	Filename	Page / of 1 / 15



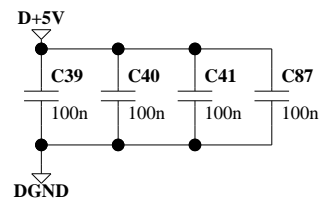


SHEET 5

PCMCIA Type I

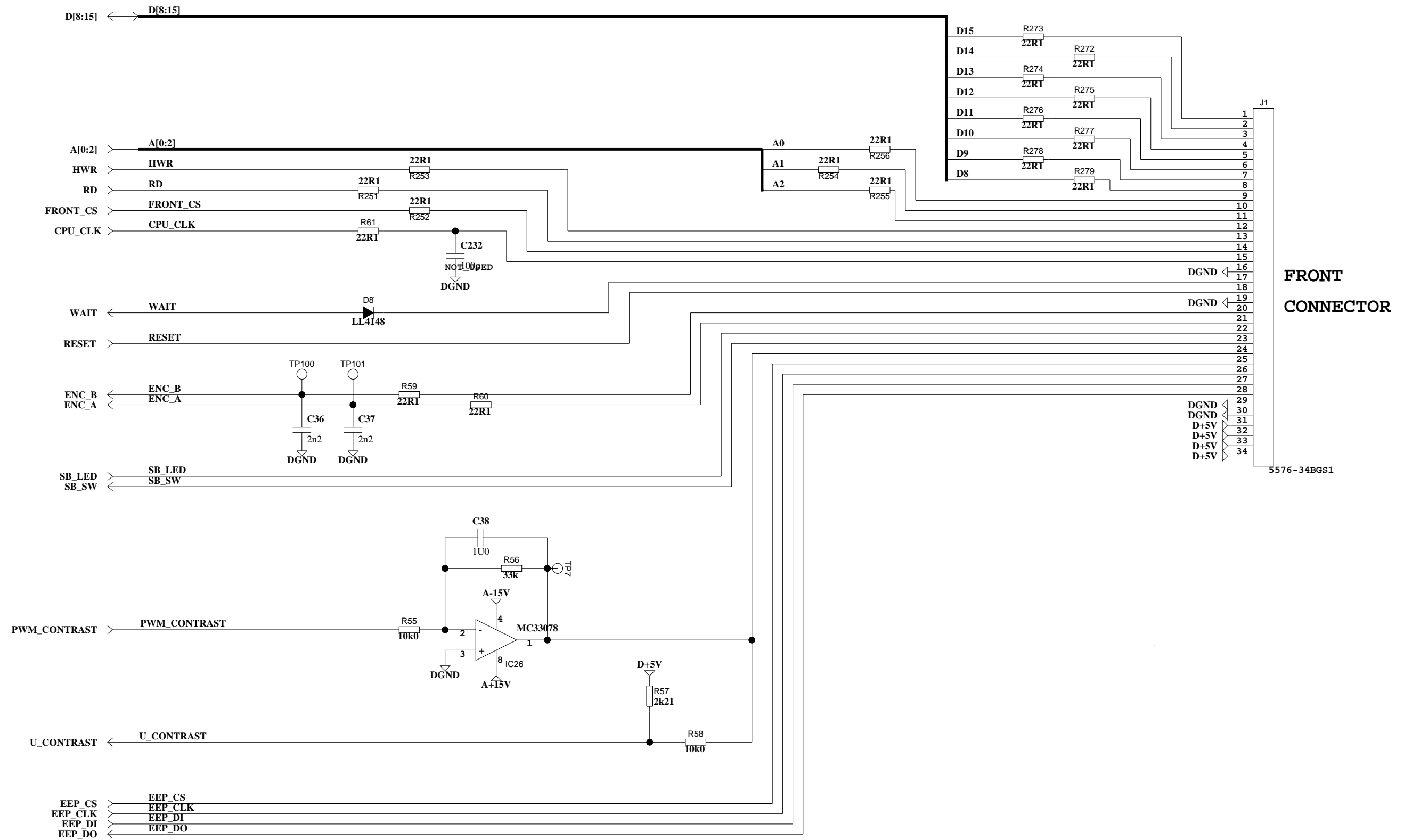
D8	30	D0
D9	31	D1
D10	32	D2
D11	2	D3
D12	3	D4
D13	4	D5
D14	5	D6
D15	6	D7
NC	64	D8
NC	65	D9
NC	66	D10
NC	37	D11
NC	38	D12
NC	39	D13
NC	40	D14
NC	41	D15
A0	29	A0
A1	28	A1
A2	27	A2
A3	26	A3
A4	25	A4
A5	24	A5
A6	23	A6
A7	22	A7
A8	12	A8
A9	11	A9
A10	8	A10
A11	10	A11
A12	21	A12
A13	13	A13
A14	14	A14
A15	20	A15
A16	19	A16
A17	46	A17
A18	47	A18
A19	48	A19
A20	49	A20
	50	A21
	53	A22
	54	A23
	55	A24
	56	A25
CE1	7	CE1*
	42	CE2*
	9	OE*
	15	WE*/PGM*
	16	RDY/BSY*
	61	REG*
	36	CD1*
	67	CD2*
	33	WP
	43	RFSH*
	63	BVD1
	62	BVD2
NC	44	I/O_RD*
NC	45	I/O_WR*
NC	58	RESET
	59	WAIT*
	60	INPACK
	18	VPP1
	52	VPP2
	17	VCC1
	51	VCC2
	1	GND1
	34	GND2
	47	GND3
	35	GND4
	68	GND4

FCN-565P068-G/C-V4

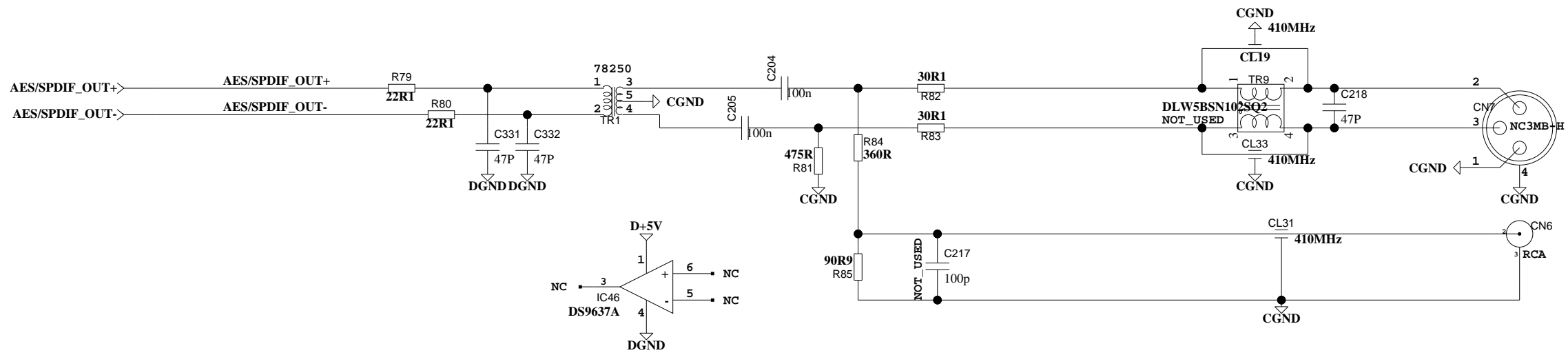


ALL VOLTAGES ARE MEASURED WITH DGND AS REFERENCE.

TC Electronic A/S		Designer
NOT USED		MAR
Title	Module title	
WIZARD2, 96KHZ	P13008_WX2JEI_P13008-BA_1	
Number	Revision	Previous page
DRMAX MAIN BOARD P13008	AAC	1
Date	Filename	Page / of
4-12-2007 15:38		1 / 15

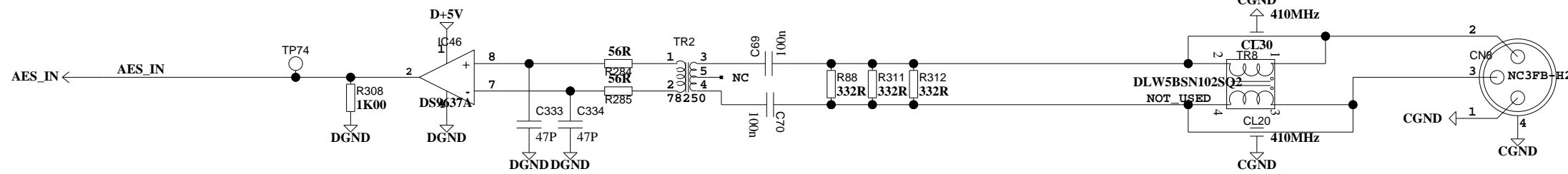


TC Electronic A/S		Designer MAR
Title WIZARD2, 96KHZ	Module title P13008_WX2FNT_P13008-BA_1	
Number P13008	Revision AAC	Previous page 1
Date 4-12-2007 15:38	Filename	Page / of 1 / 15

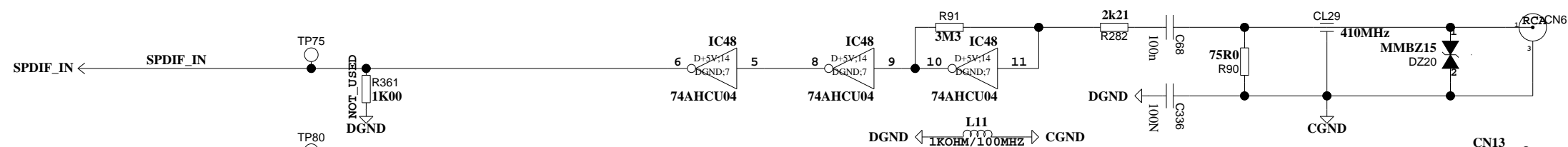


AES/EBU
XLR OUT

S/PDIF
RCA PHONO OUT



AES/EBU
XLR IN

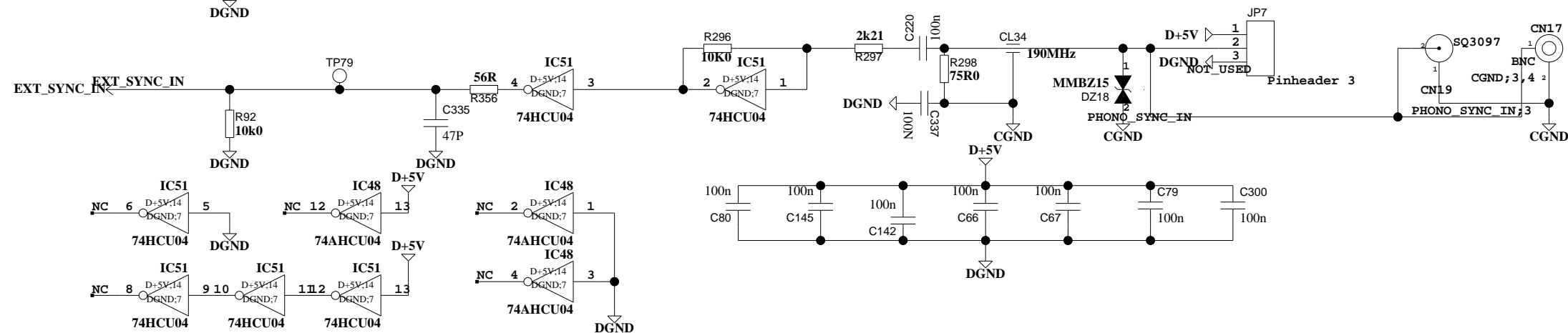


S/PDIF
RCA PHONO IN



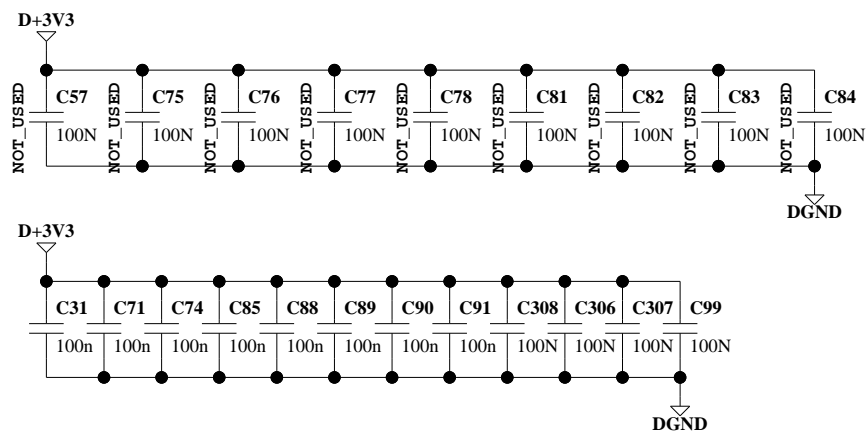
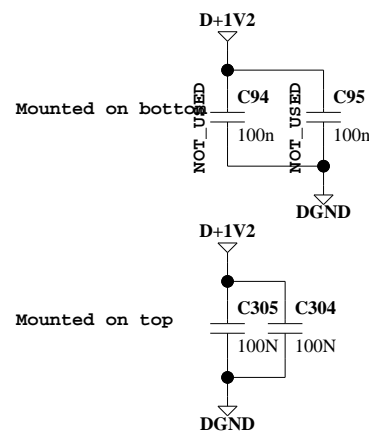
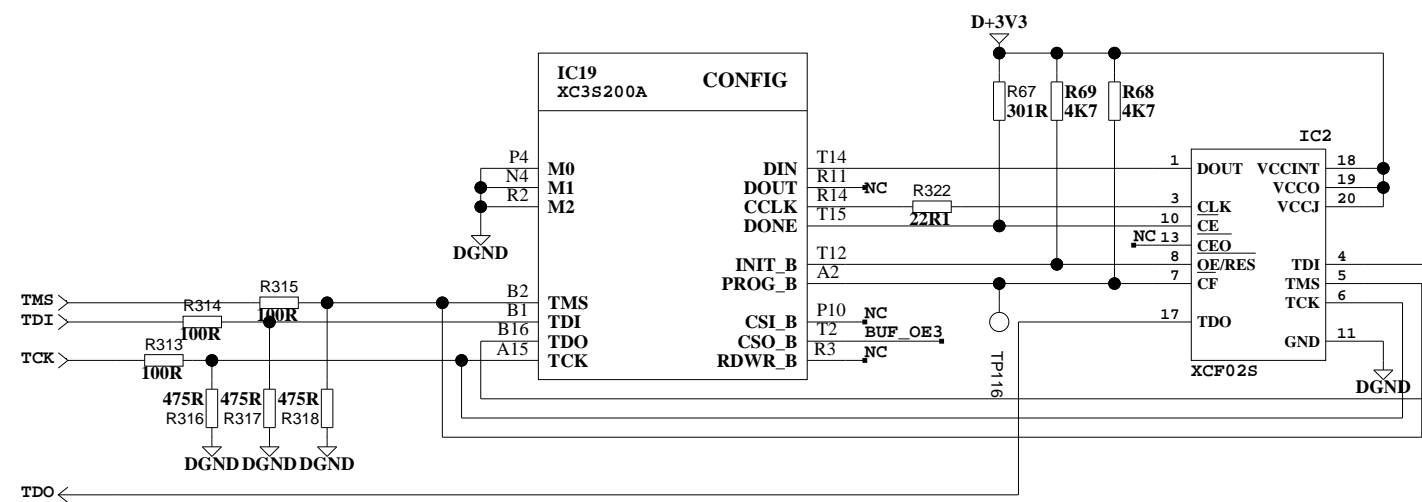
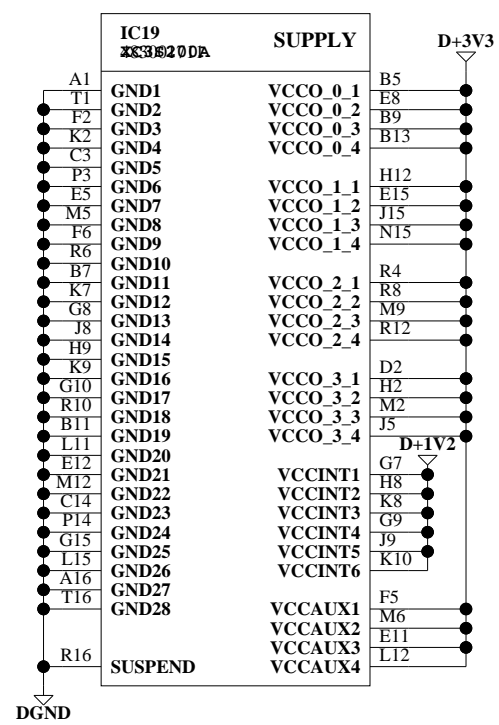
ADAT
OPTO OUT

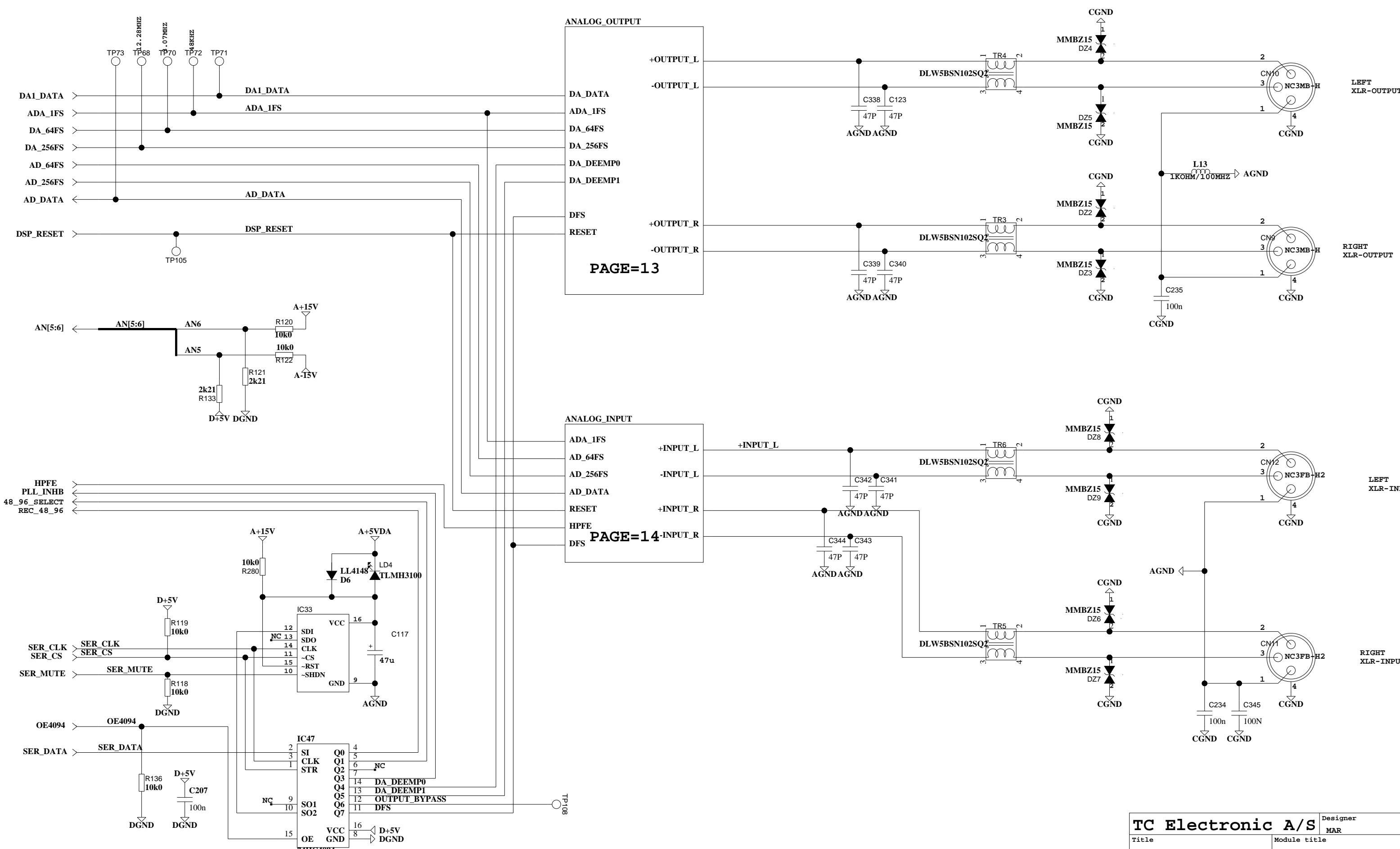
ADAT
OPTO IN



SYNC IN

TC Electronic A/S		Designer MAR
Title WIZARD2, 96KHZ		Module title P13008_WX2DGI_P13008-BA_1
Number P13008	Revision AAC	Previous page 1
Date 4-12-2007 15:38	Filename	Page / of 1 / 15





ANALOG_OUTPUT

DA_DATA
 ADA_IFS
 DA_64FS
 DA_256FS
 DA_DEEMP0
 DA_DEEMP1
 DFS
 RESET

+OUTPUT_L
 -OUTPUT_L
 +OUTPUT_R
 -OUTPUT_R

PAGE=13

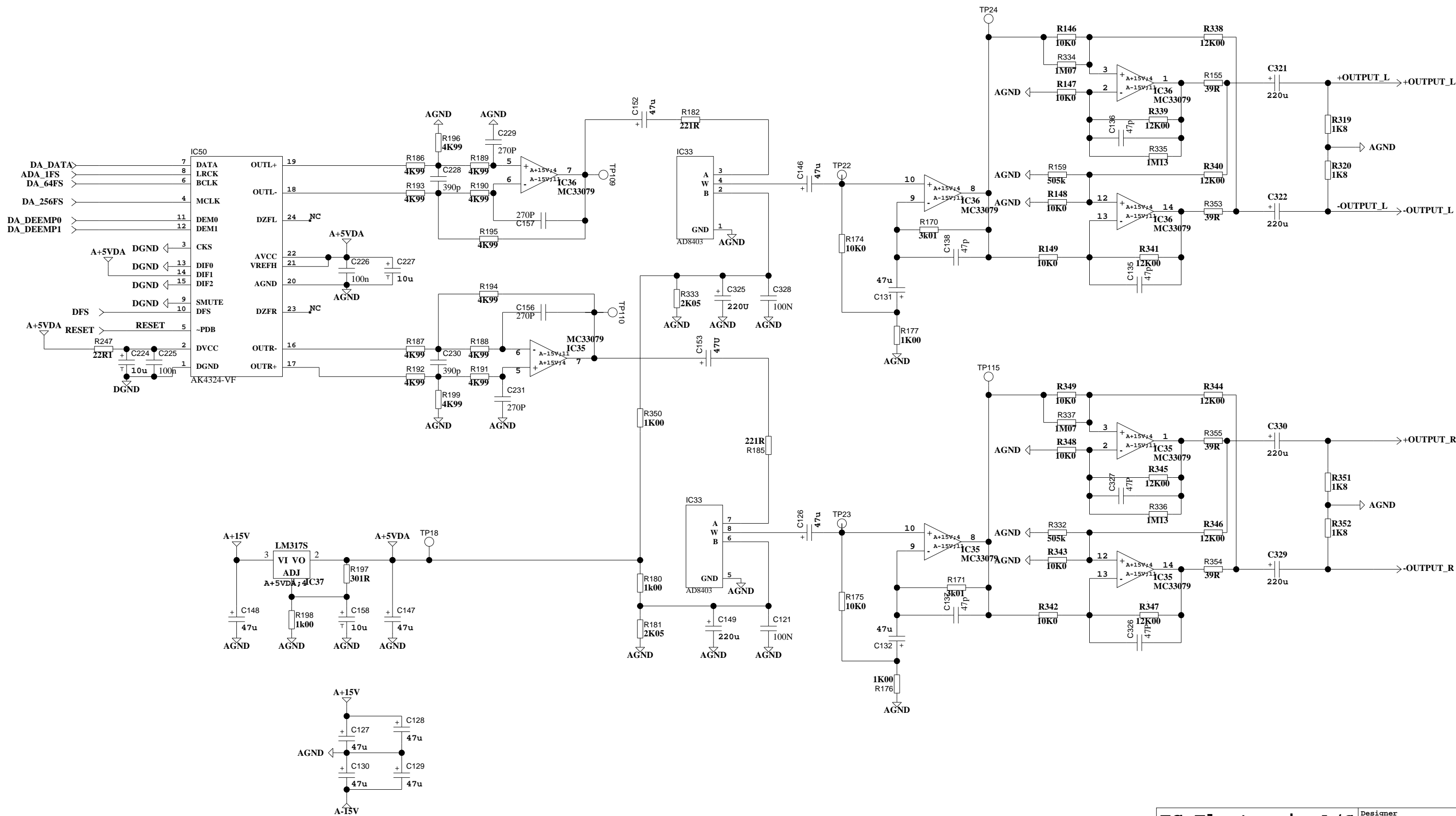
ANALOG_INPUT

ADA_IFS
 AD_64FS
 AD_256FS
 AD_DATA
 RESET
 HPFE
 DFS

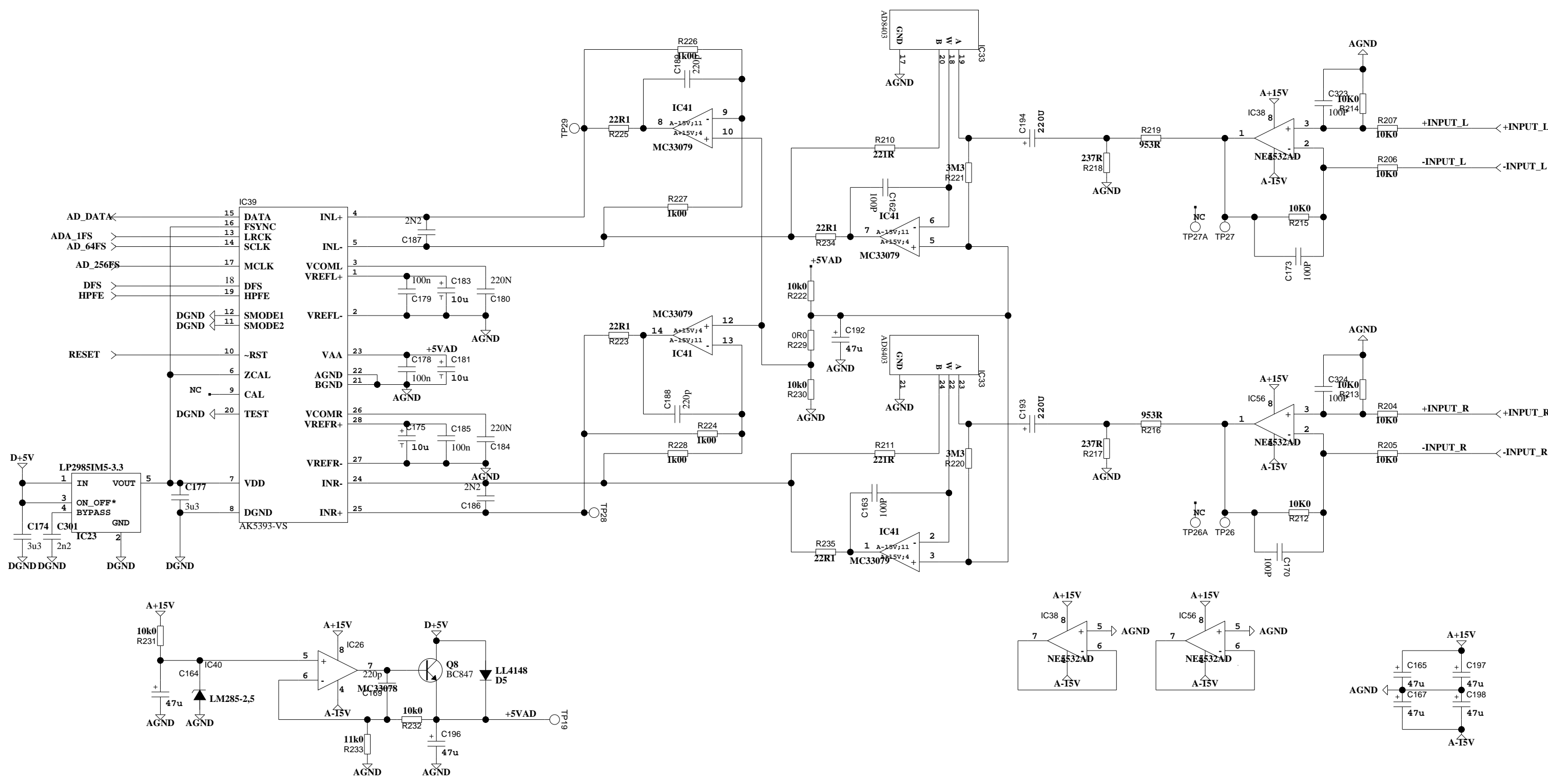
+INPUT_L
 -INPUT_L
 +INPUT_R
 -INPUT_R

PAGE=14

TC Electronic A/S		Designer MAR
Title WIZARD2, 96KHZ		Module title P13008_WX2ADA_P13008-BA_1
Number P13008	Revision AAC	Previous page 1
Date 4-12-2007 15:38	Filename	Page / of 1 / 15



TC Electronic A/S		Designer MAR
Title WIZARD2, 96KHZ		Module title P13008_WX2DA_P13008-BA_1
Number P13008	Revision AAC	Previous page 1
Date 4-12-2007 15:38	Filename	Page / of 1 / 15



TC Electronic A/S		Designer MAR
Title WIZARD2, 96KHZ		Module title P13008 WX2AD P13008-BA_1
Number P13008	Revision AAC	Previous page 1
Date 4-12-2007 15:38	Filename	Page / of 1 / 15

