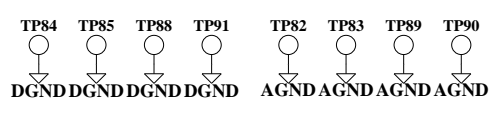
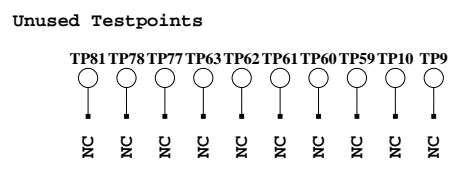
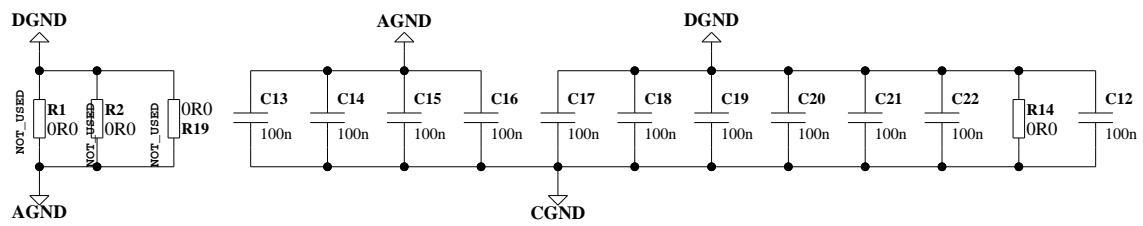
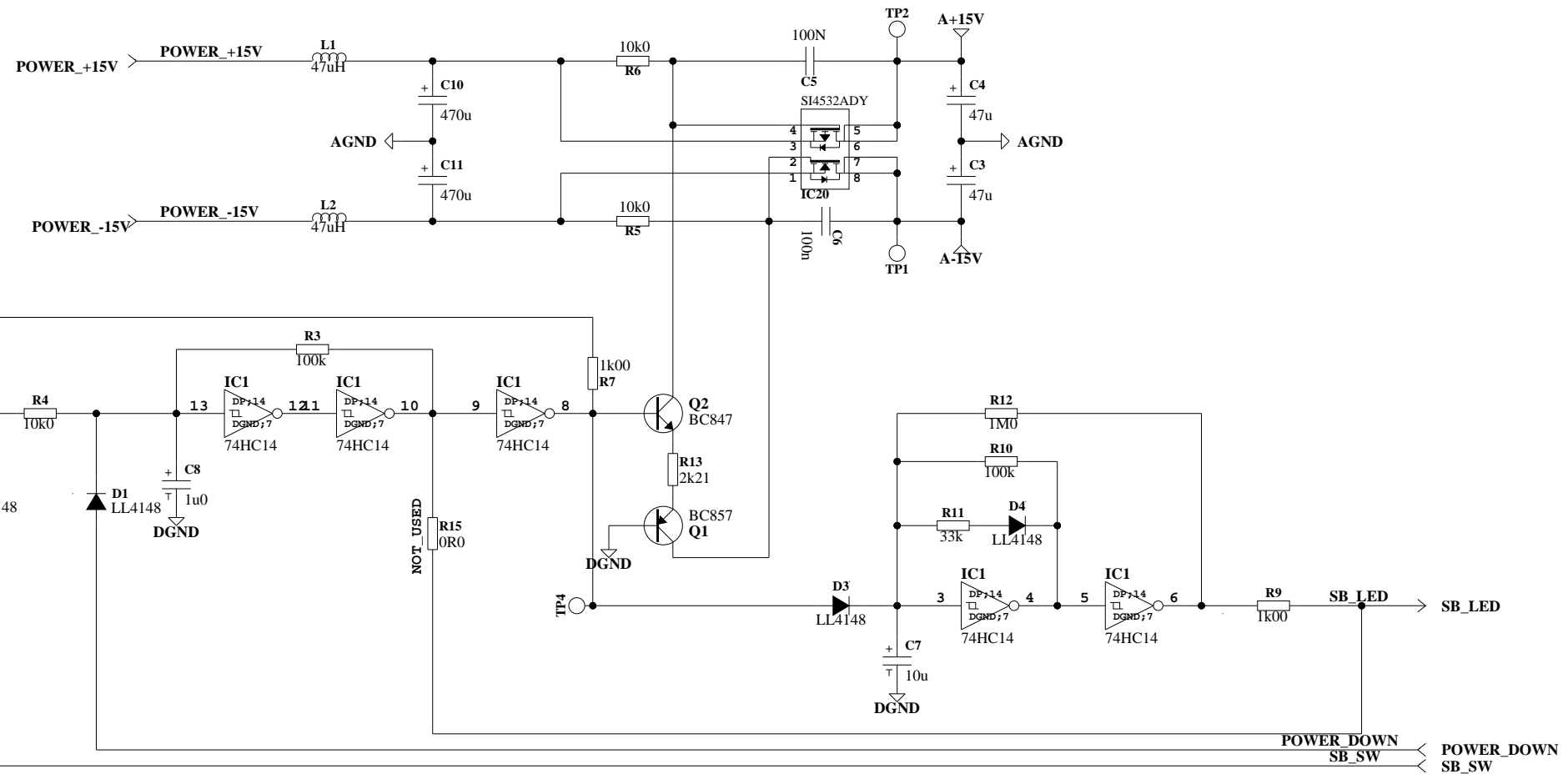
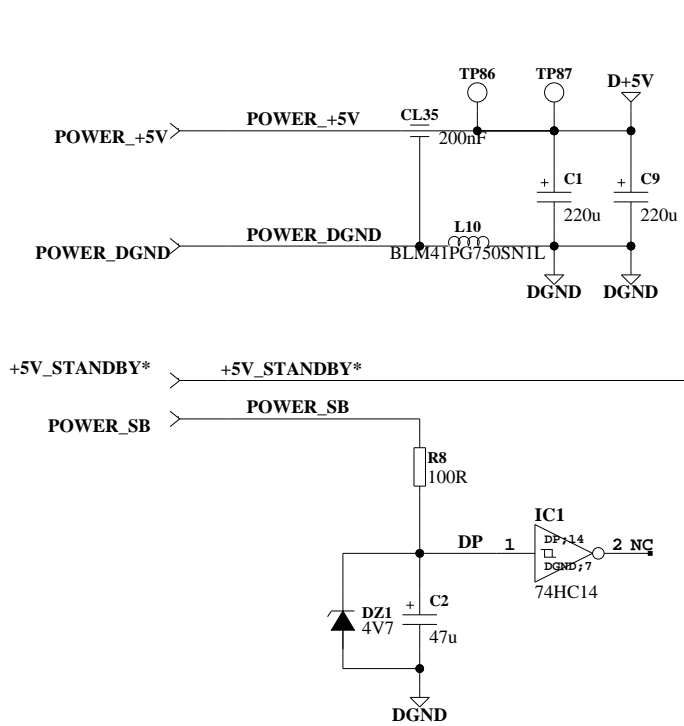
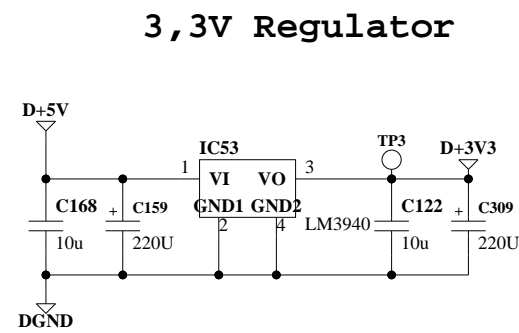
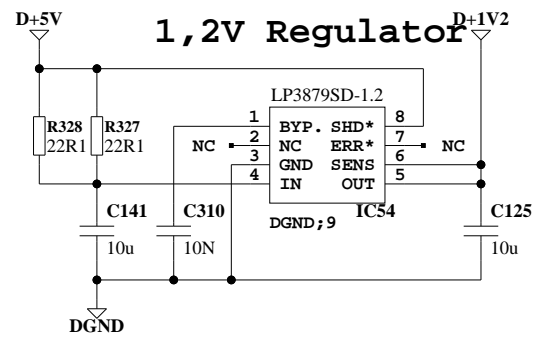
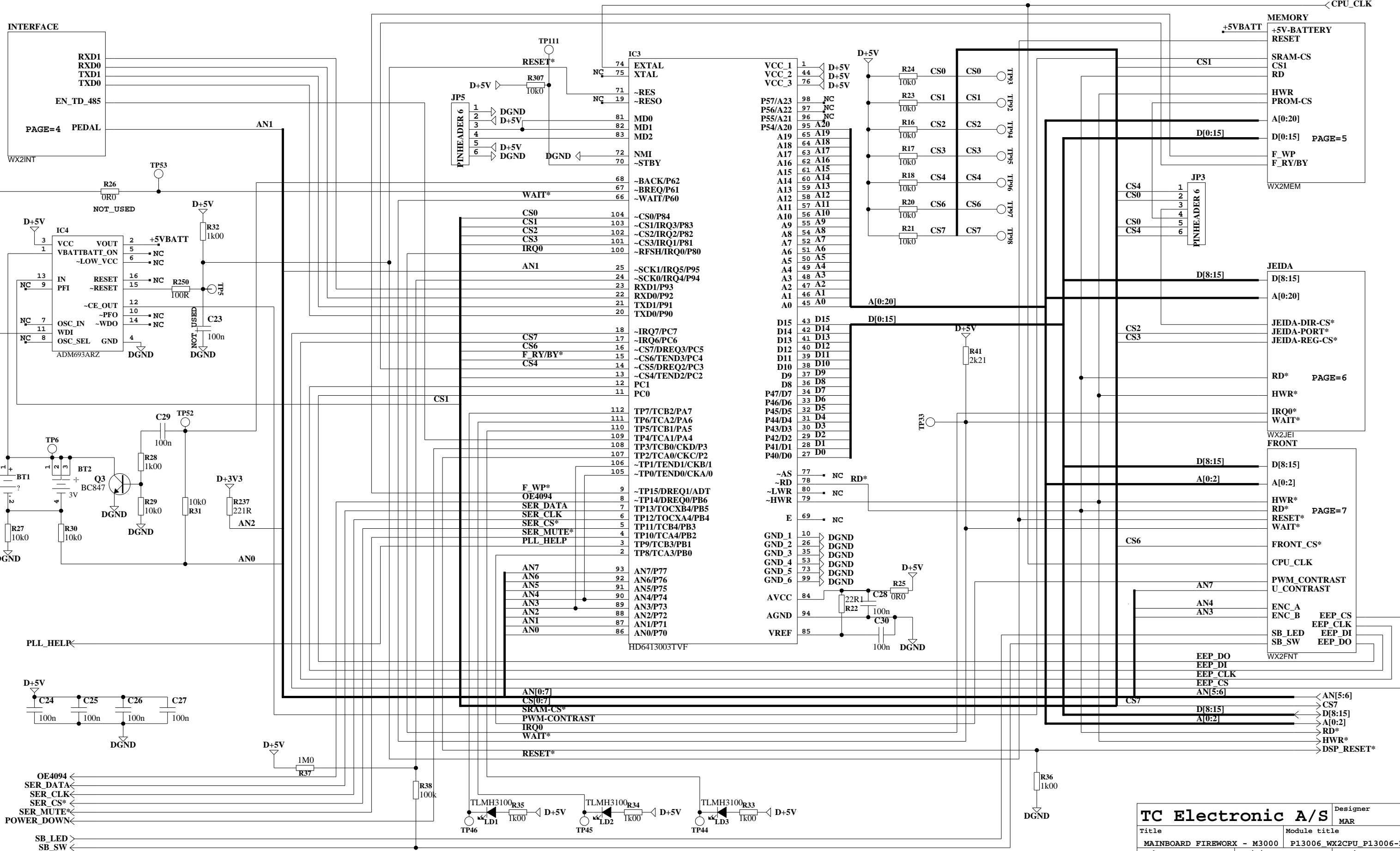
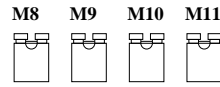


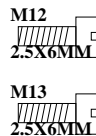
| | | |
|-------------------------------------|------------------------------------|---------------------|
| TC Electronic A/S | | Designer MAR |
| Title MAINBOARD FIREWORX - M3000 | Module title P13006-D P13006-DE | |
| Number P13006 | Revision DEB | Previous page 1 |
| Date 16-2-2009 19:23 | Filename | Page / of 1 / 15 |



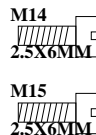
| | | |
|-------------------------------------|-----------------|---|
| TC Electronic A/S | | Designer MAR |
| Title MAINBOARD FIREWORX - M3000 | | Module title P13006 WX2POW_P13006-DE_1 |
| Number P13006 | Revision DEB | Previous page 1 |
| Date 16-2-2009 19:23 | Filename | Page / of 2 / 15 |



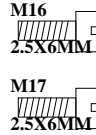
| | | |
|-------------------------------------|-----------------|---|
| TC Electronic A/S | | Designer MAR |
| Title MAINBOARD FIREWORX - M3000 | | Module title P13006_WX2CPU_P13006-DE_1 |
| Number P13006 | Revision DEB | Previous page 1 |
| Date 16-2-2009 19:23 | Filename | Page / of 3 / 15 |



MIDI IN

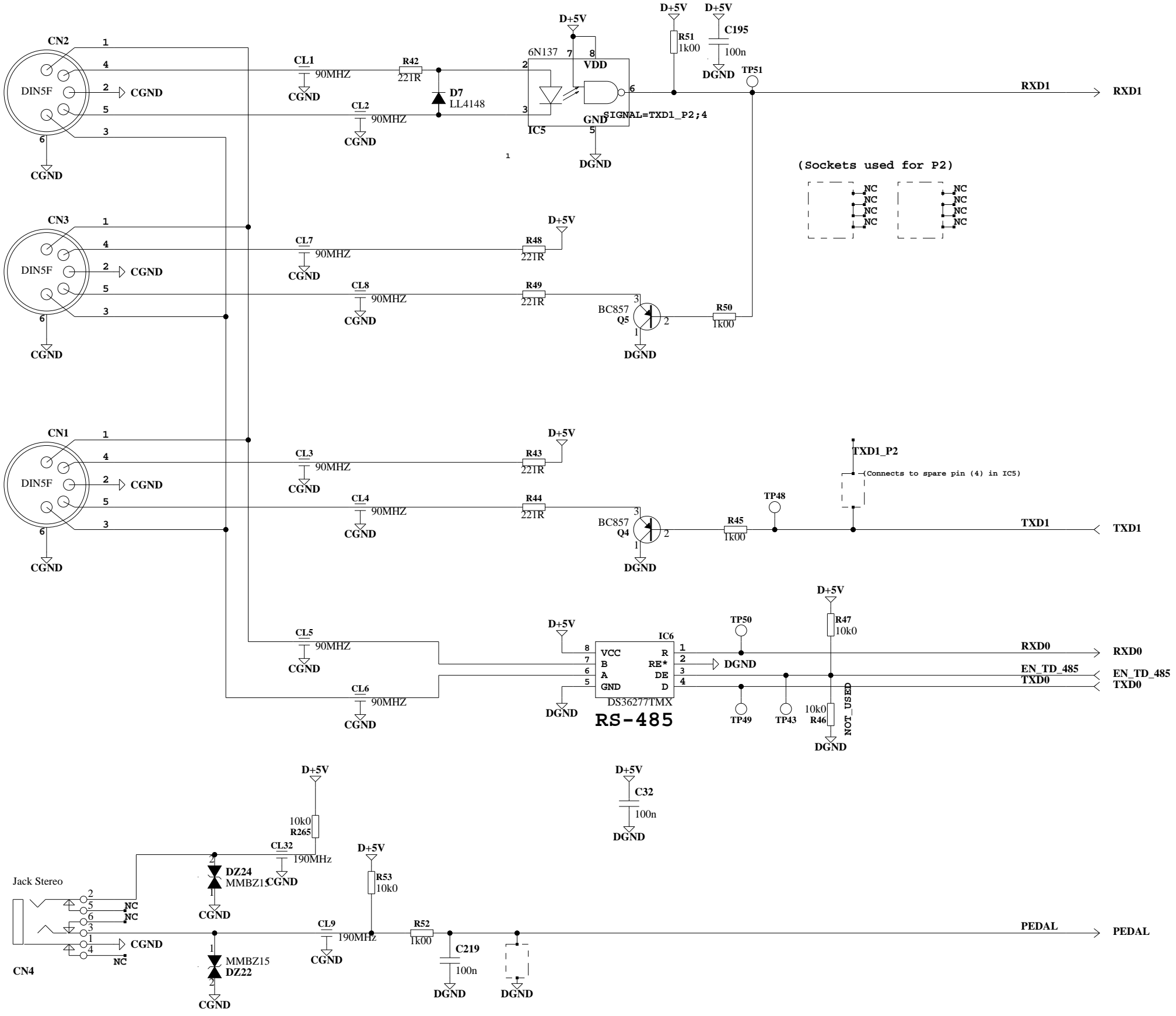


THRU

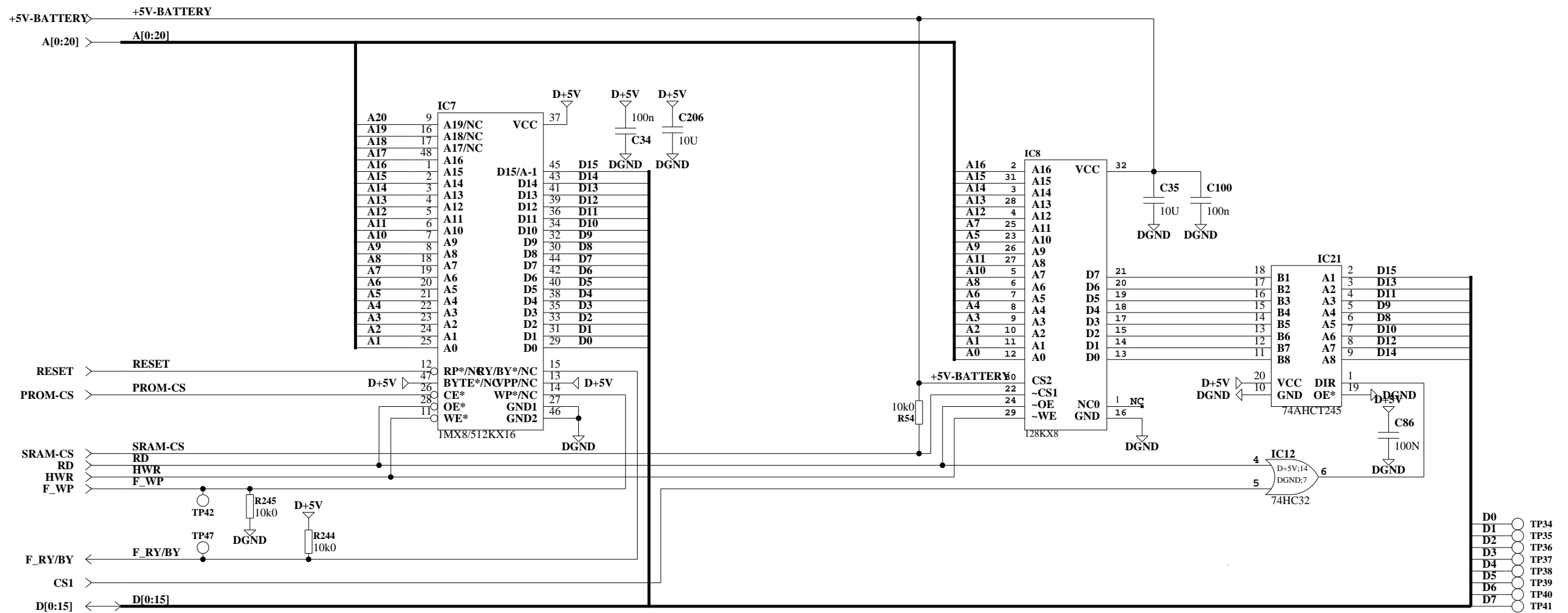


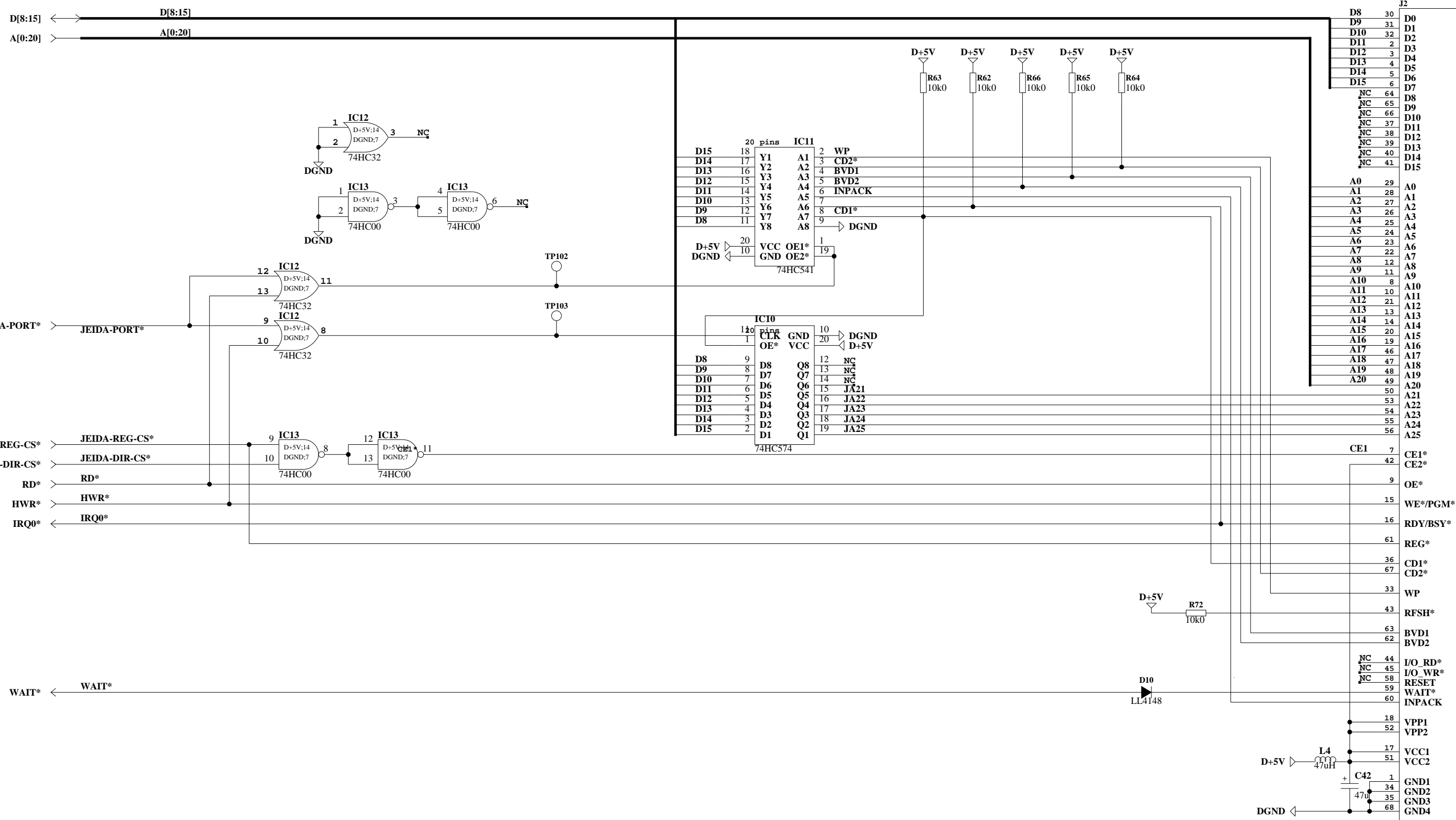
MIDI OUT

PEDAL

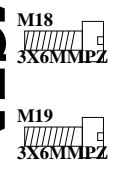


| | | |
|-------------------------------------|-----------------|---|
| TC Electronic A/S | | Designer MAR |
| Title MAINBOARD FIREWORX - M3000 | | Module title P13006 WX2INT P13006-DE_1 |
| Number P13006 | Revision DEB | Previous page 1 |
| Date 16-2-2009 19:23 | Filename | Page / of 4 / 15 |



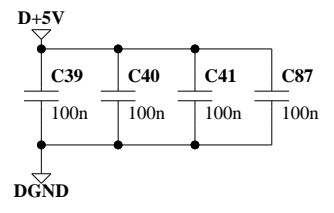


PCMCIA Type I

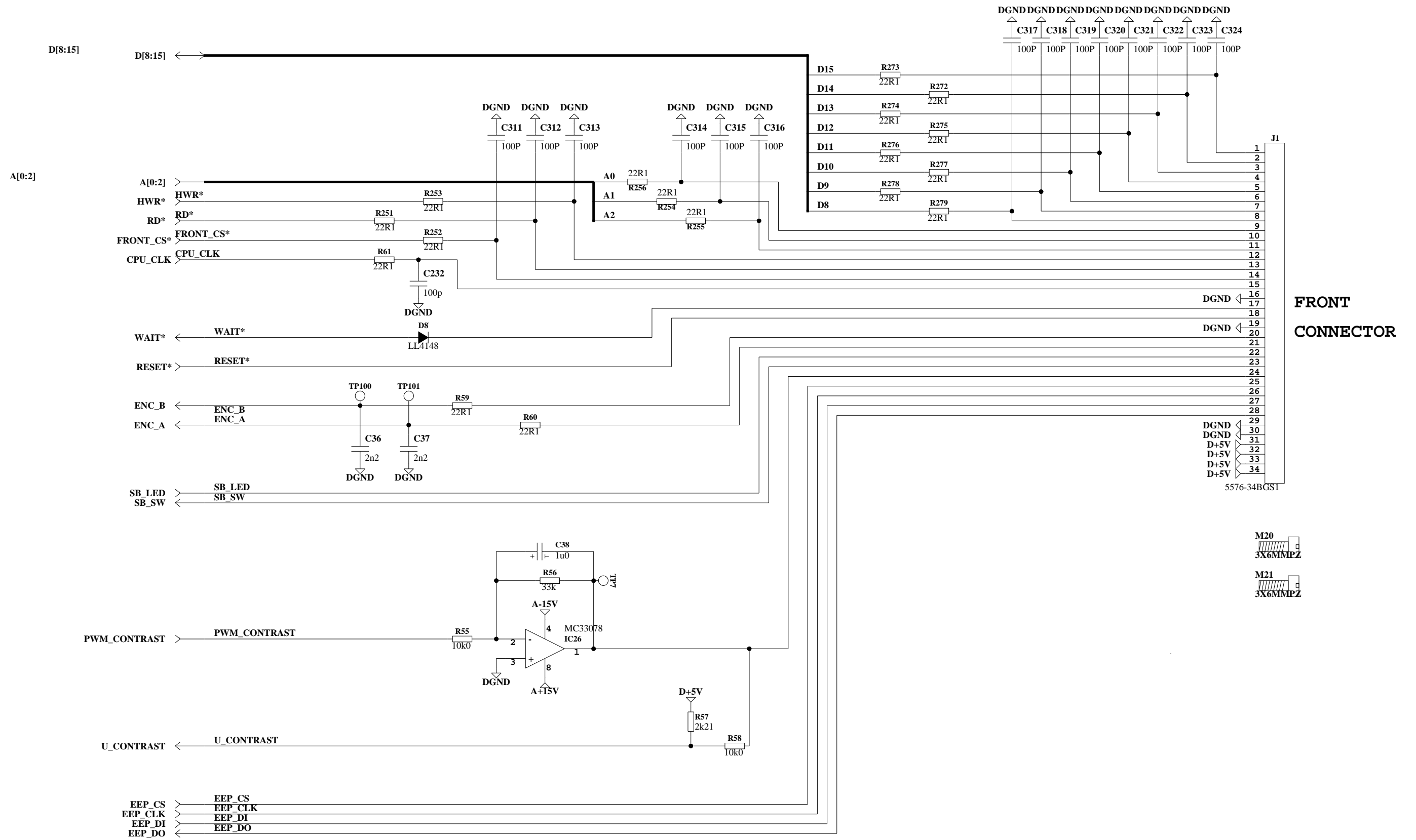


| | | |
|-----|----|----------|
| D8 | 30 | D0 |
| D9 | 31 | D1 |
| D10 | 32 | D2 |
| D11 | 2 | D3 |
| D12 | 3 | D4 |
| D13 | 4 | D5 |
| D14 | 5 | D6 |
| D15 | 6 | D7 |
| NC | 64 | D8 |
| NC | 65 | D9 |
| NC | 66 | D10 |
| NC | 37 | D11 |
| NC | 38 | D12 |
| NC | 39 | D13 |
| NC | 40 | D14 |
| NC | 41 | D15 |
| A0 | 29 | A0 |
| A1 | 28 | A1 |
| A2 | 27 | A2 |
| A3 | 26 | A3 |
| A4 | 25 | A4 |
| A5 | 24 | A5 |
| A6 | 23 | A6 |
| A7 | 22 | A7 |
| A8 | 12 | A8 |
| A9 | 11 | A9 |
| A10 | 8 | A10 |
| A11 | 10 | A11 |
| A12 | 21 | A12 |
| A13 | 13 | A13 |
| A14 | 14 | A14 |
| A15 | 20 | A15 |
| A16 | 19 | A16 |
| A17 | 46 | A17 |
| A18 | 47 | A18 |
| A19 | 48 | A19 |
| A20 | 49 | A20 |
| | 50 | A21 |
| | 53 | A22 |
| | 54 | A23 |
| | 55 | A24 |
| | 56 | A25 |
| CE1 | 7 | CE1* |
| | 42 | CE2* |
| | 9 | OE* |
| | 15 | WE*/PGM* |
| | 16 | RDY/BSY* |
| | 61 | REG* |
| | 36 | CD1* |
| | 67 | CD2* |
| | 33 | WP |
| | 43 | RFSH* |
| | 63 | BVD1 |
| | 62 | BVD2 |
| NC | 44 | I/O_RD* |
| NC | 45 | I/O_WR* |
| NC | 58 | RESET |
| | 59 | WAIT* |
| | 60 | INPACK |
| | 18 | VPP1 |
| | 52 | VPP2 |
| | 17 | VCC1 |
| | 51 | VCC2 |
| | 1 | GND1 |
| | 34 | GND2 |
| | 35 | GND3 |
| | 68 | GND4 |

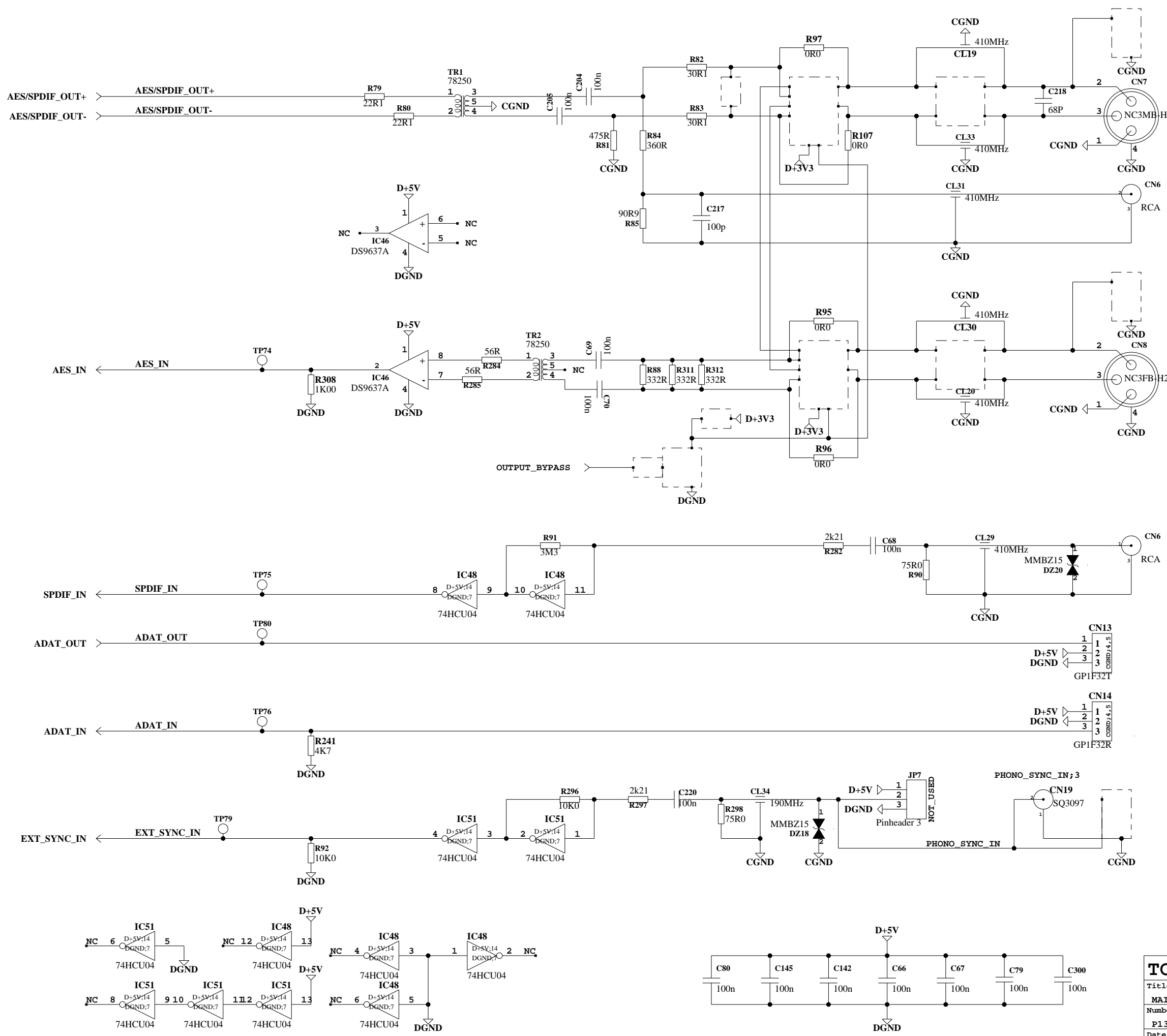
FCN-565P068-G/C-V4

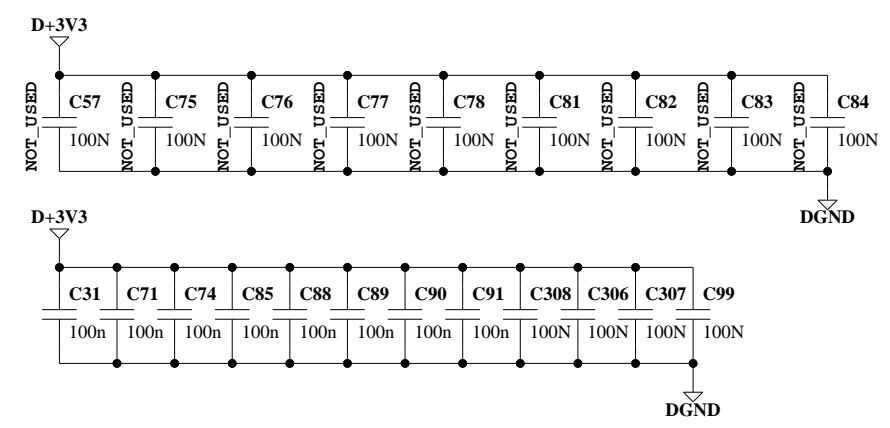
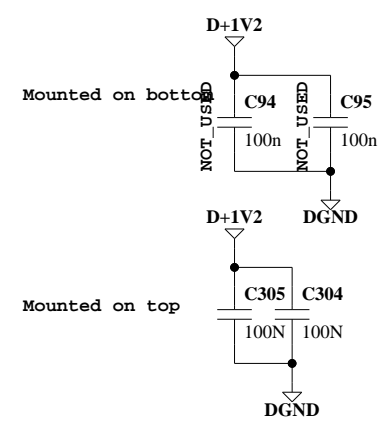
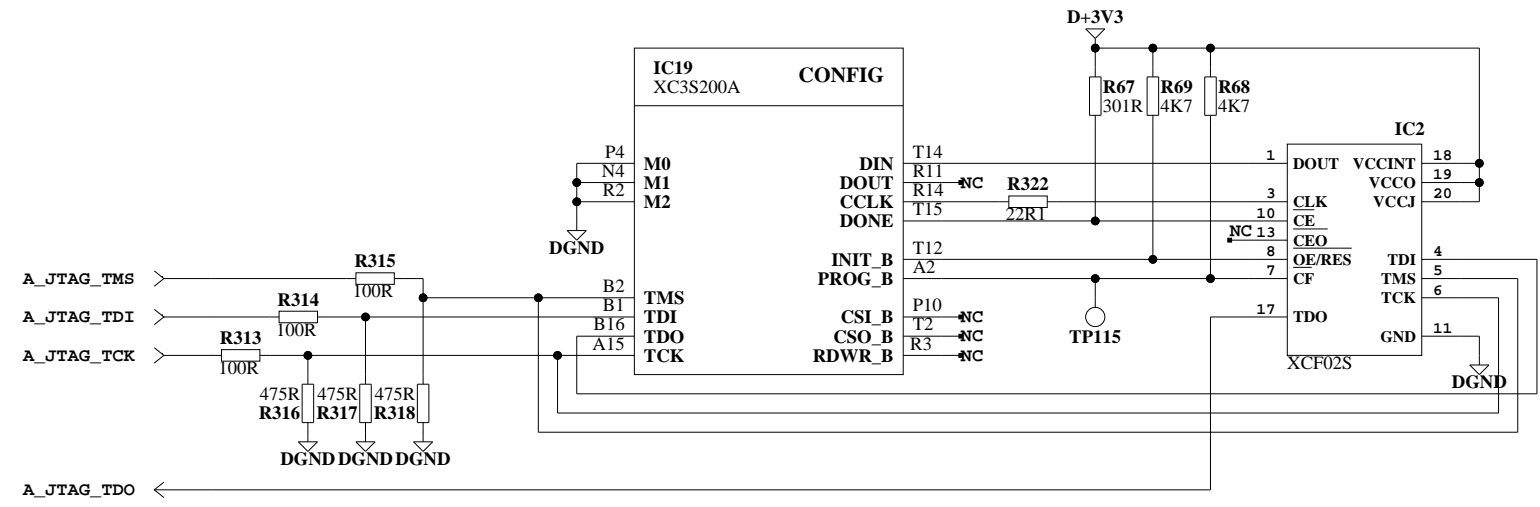
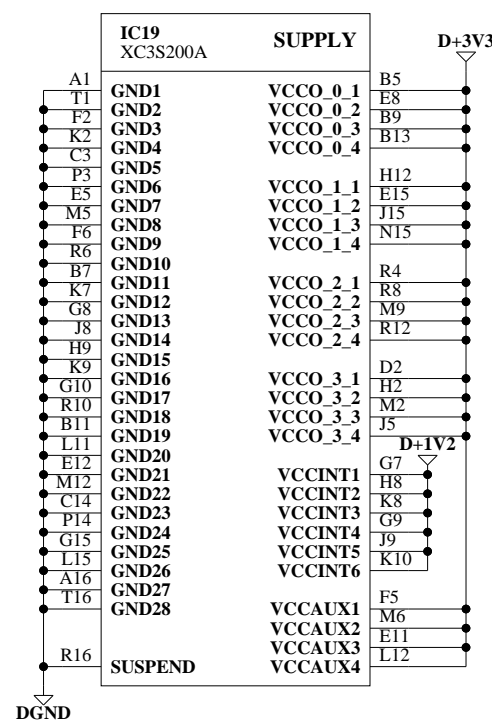


| | | |
|----------------------------|---------------------------|---------------|
| TC Electronic A/S | | Designer |
| NOT USED | | MAR |
| Title | Module title | |
| MAINBOARD FIREWORX - M3000 | P13006 WX2JEI P13006-DE_1 | |
| Number | Revision | Previous page |
| "DRMAX MAIN BOARD" P13006 | DEB | 1 |
| Date | Filename | Page / of |
| 16-2-2009 19:23 | | 6 / 15 |

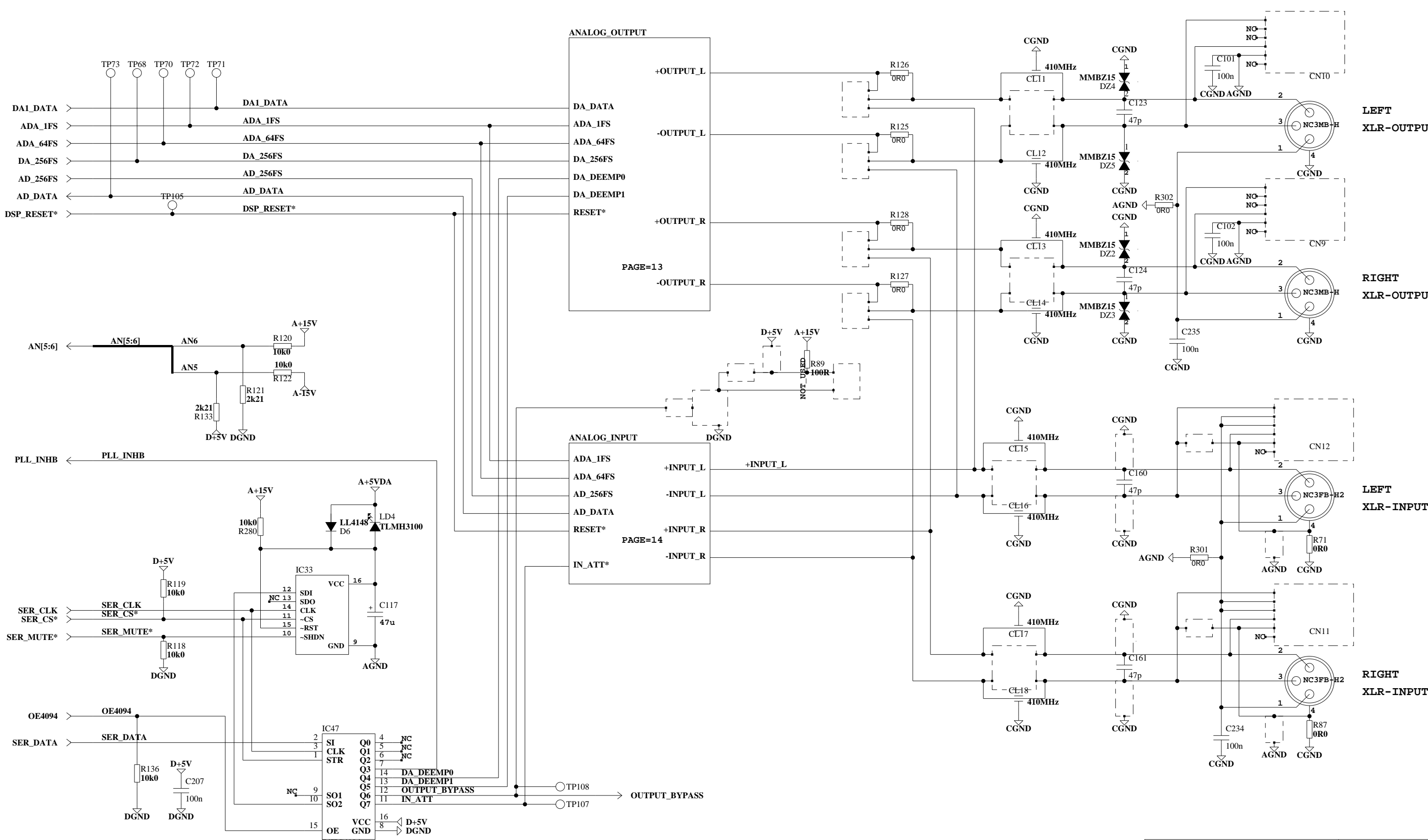


| | | |
|-------------------------------------|---|---------------------|
| TC Electronic A/S | | Designer MAR |
| Title MAINBOARD FIREWORX - M3000 | Module title P13006 WX2FNT P13006-DE_1 | |
| Number P13006 | Revision DEB | Previous page 1 |
| Date 16-2-2009 19:23 | Filename | Page / of 7 / 15 |

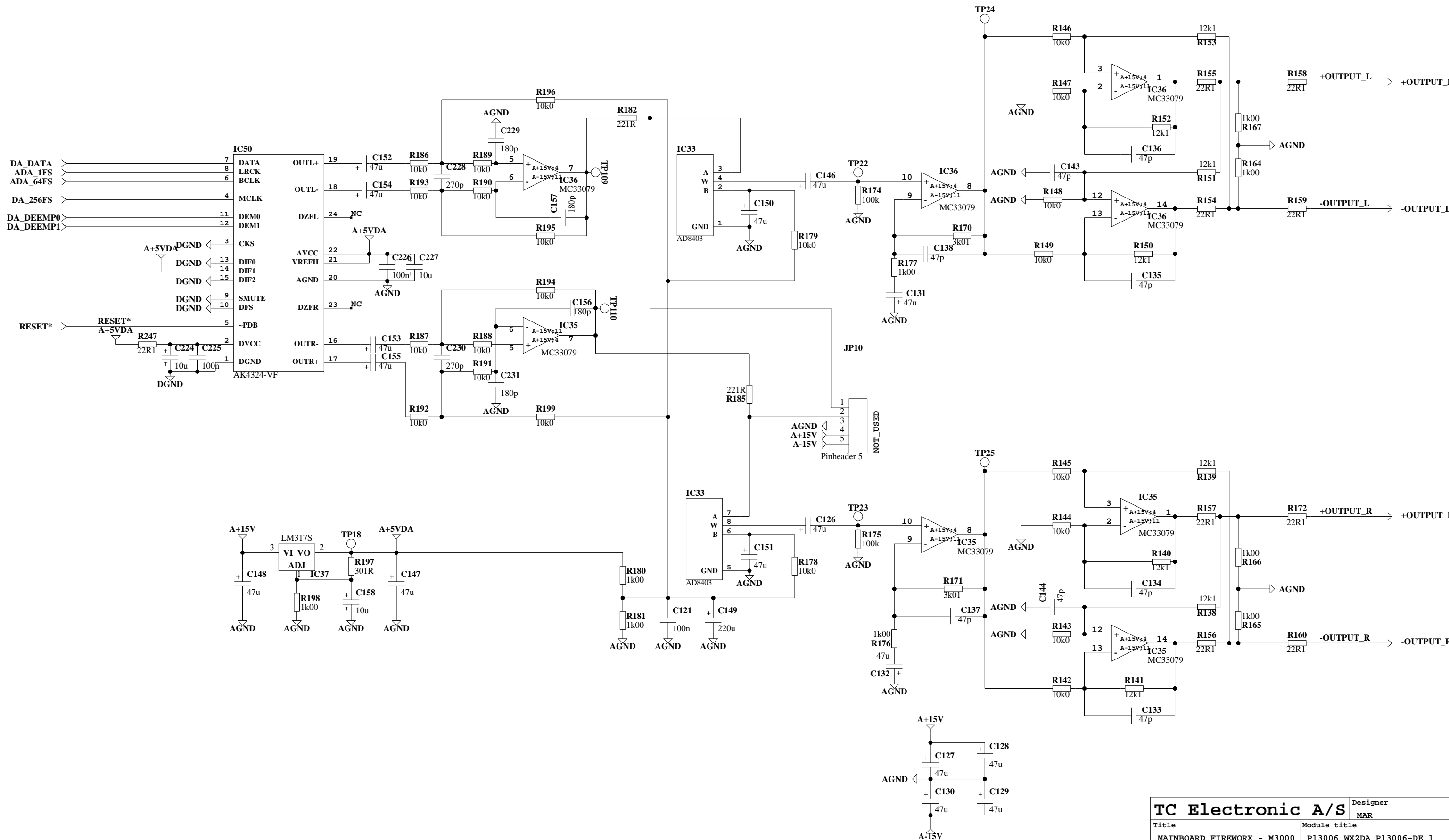




| | | |
|-------------------------------------|---|----------------------|
| TC Electronic A/S | | Designer MAR |
| Title MAINBOARD FIREWORX - M3000 | Module title P13006 WX2ASI P13006-DE_1 | |
| Number P13006 | Revision DEB | Previous page 1 |
| Date 16-2-2009 19:23 | Filename | Page / of 11 / 15 |

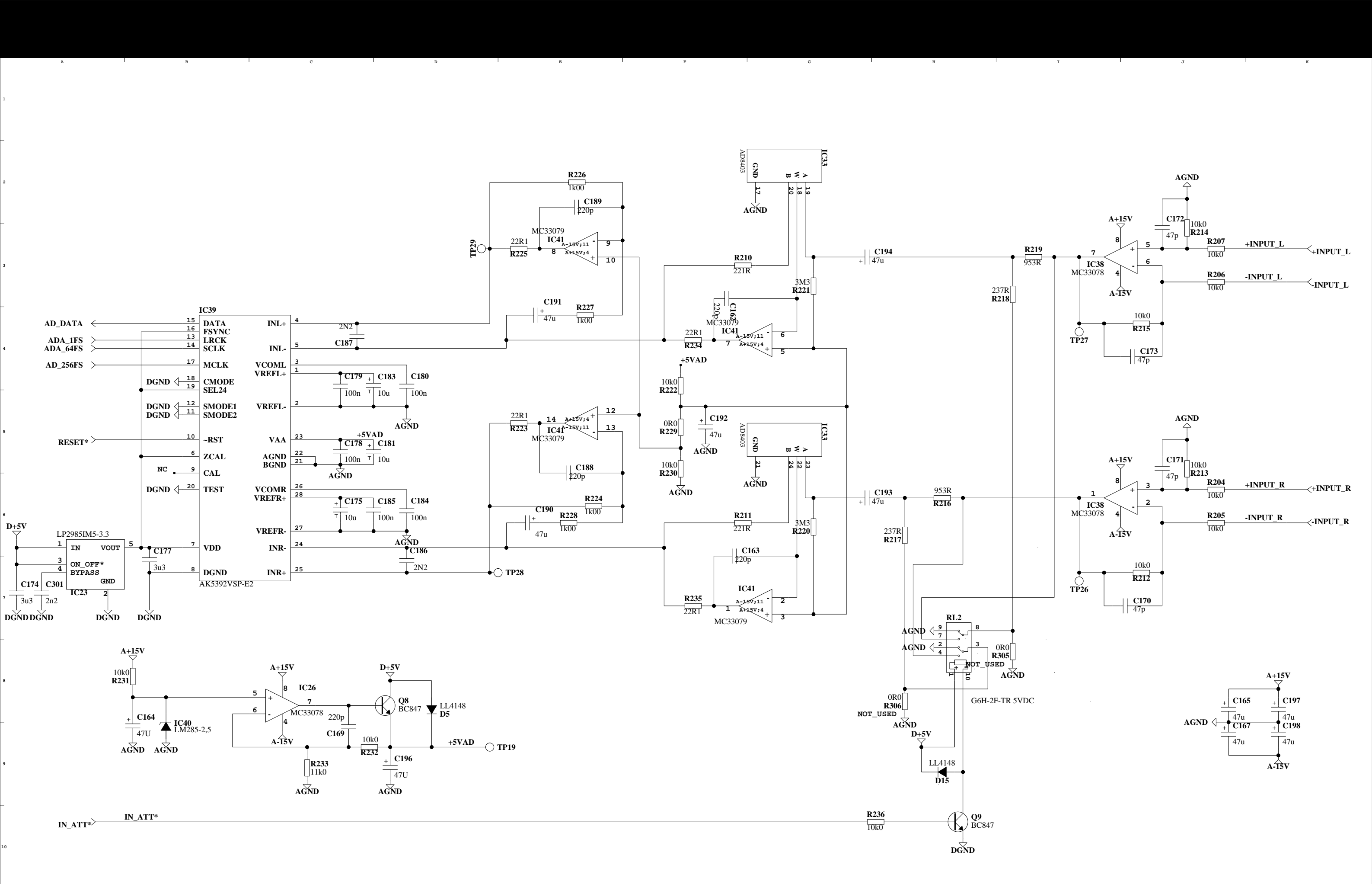


| | | |
|-------------------------------------|---|----------------------|
| TC Electronic A/S | | Designer MAR |
| Title MAINBOARD FIREWORX - M3000 | Module title P13006 WX2ADA P13006-DE_1 | |
| Number P13006 | Revision DEB | Previous page 1 |
| Date 16-2-2009 19:23 | Filename | Page / of 12 / 15 |



TC Electronic A/S Designer
MAR

| | | | |
|----------------------------|----------|--------------------------|--|
| Title | | Module title | |
| MAINBOARD FIREWORX - M3000 | | P13006 WX2DA P13006-DE_1 | |
| Number | Revision | Previous page | |
| P13006 | DEB | 1 | |
| Date | Filename | Page / of | |
| 16-2-2009 19:23 | | 13 / 15 | |



| | | |
|-------------------------------------|--|----------------------|
| TC Electronic A/S | | Designer MAR |
| Title MAINBOARD FIREWORX - M3000 | Module title P13006 WX2AD P13006-DE_1 | |
| Number P13006 | Revision DEB | Previous page 1 |
| Date 16-2-2009 19:23 | Filename | Page / of 14 / 15 |

