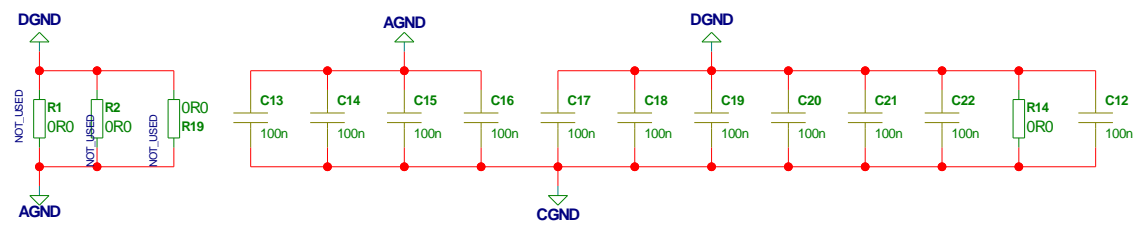
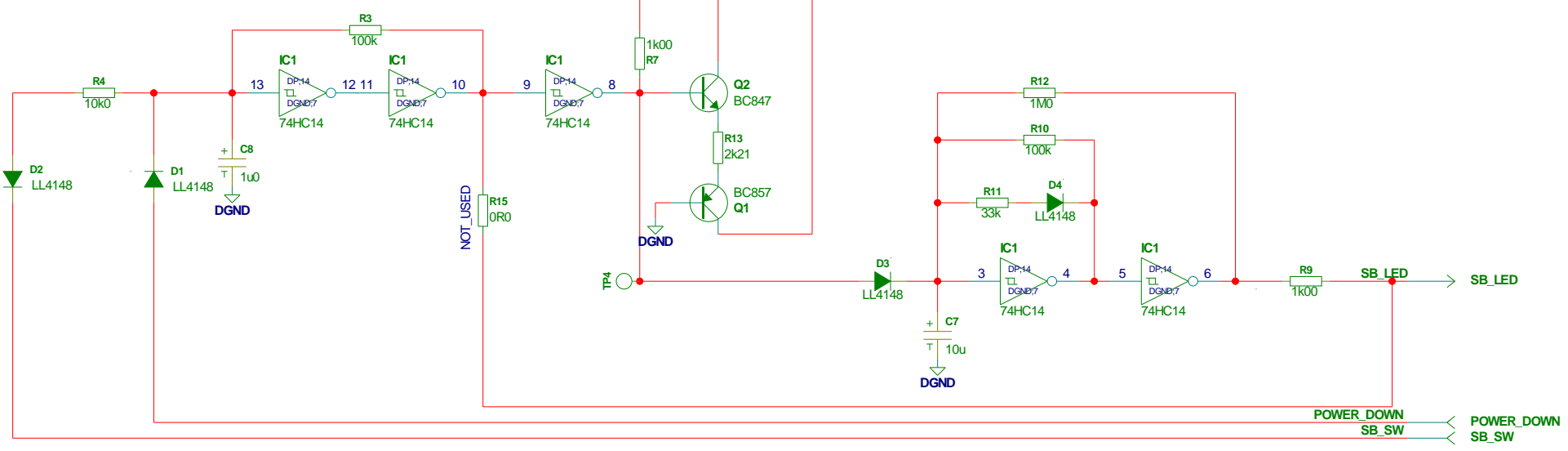
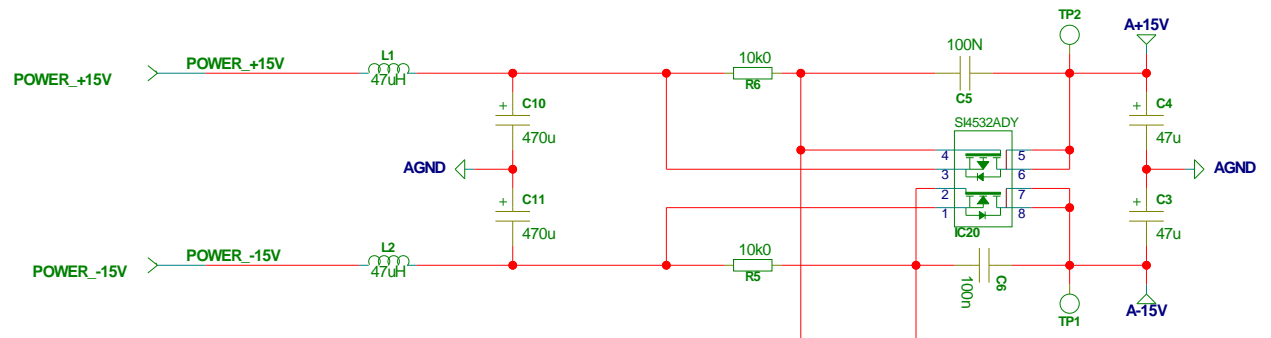
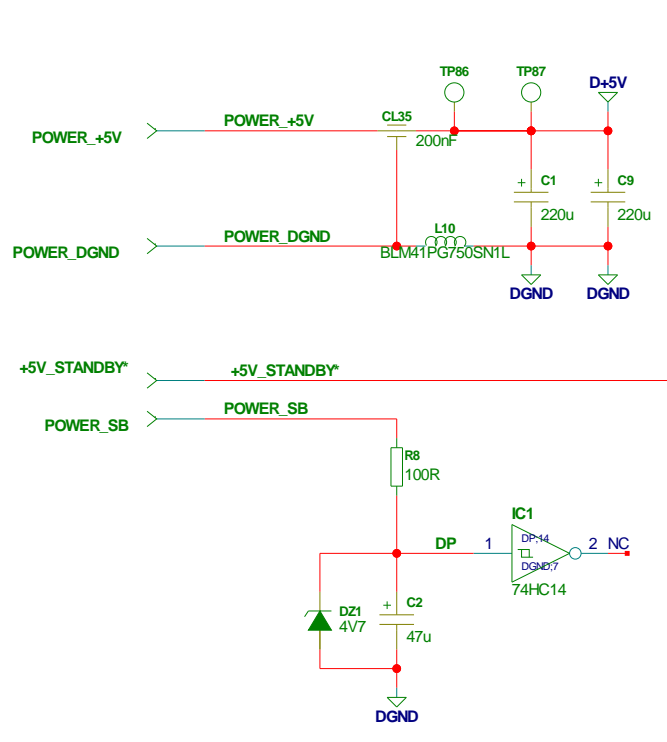
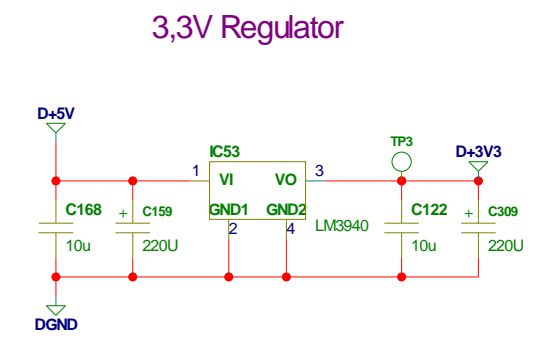
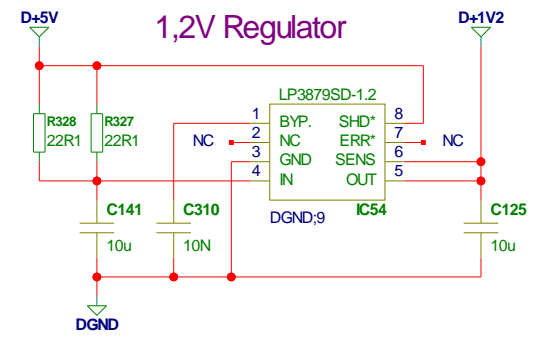
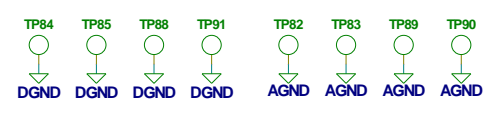
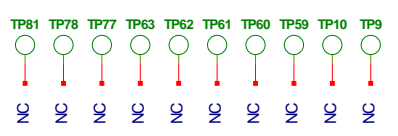


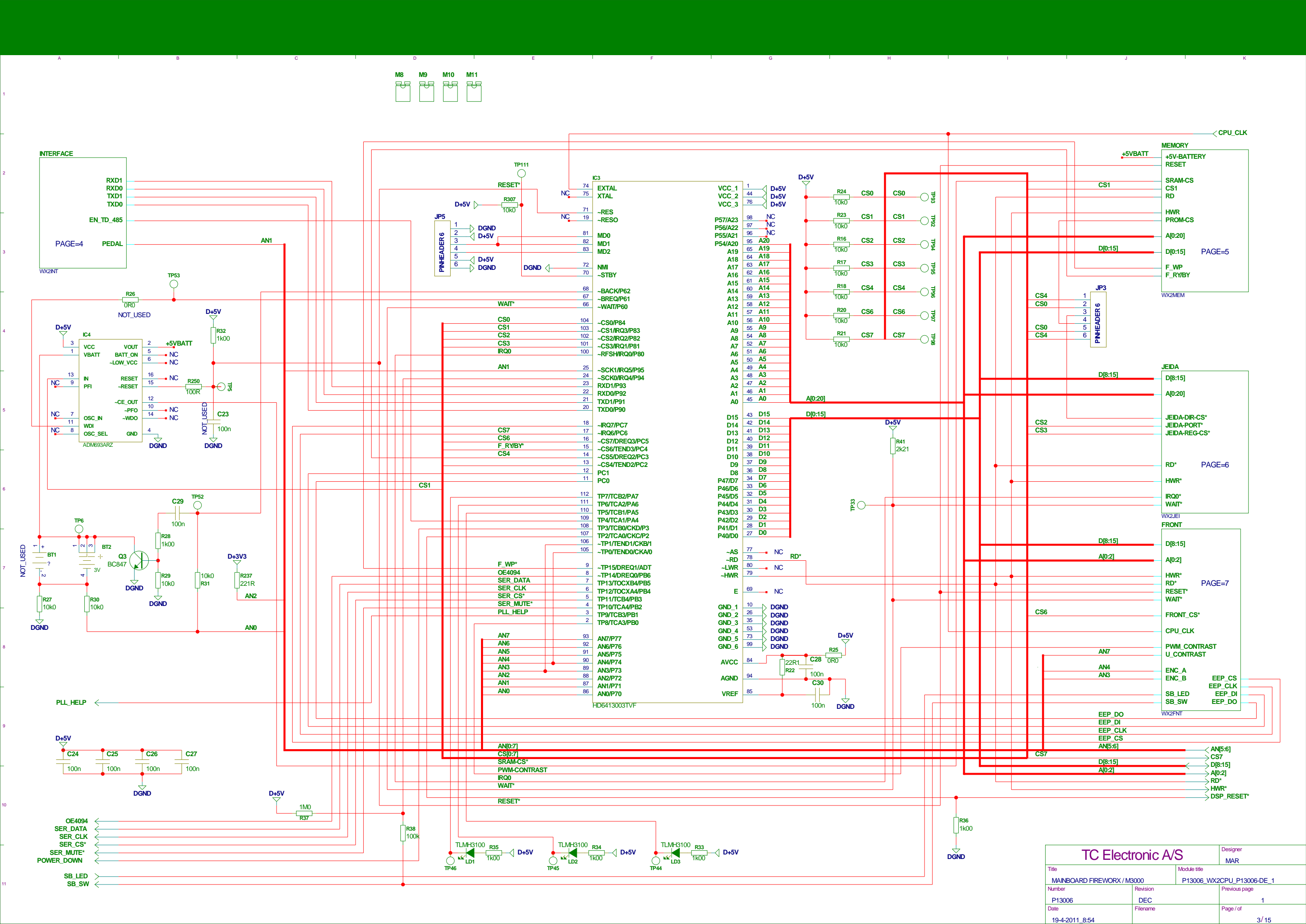
TC Electronic A/S		Designer
		MAR
Title	Module title	
MAINBOARD FIREWORX / M3000	P13006-D_P13006-DE	
Number	Revision	Previous page
P13006	DEC	1
Date	Filename	Page / of
19-4-2011_8:52		1 / 15

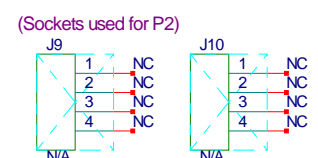
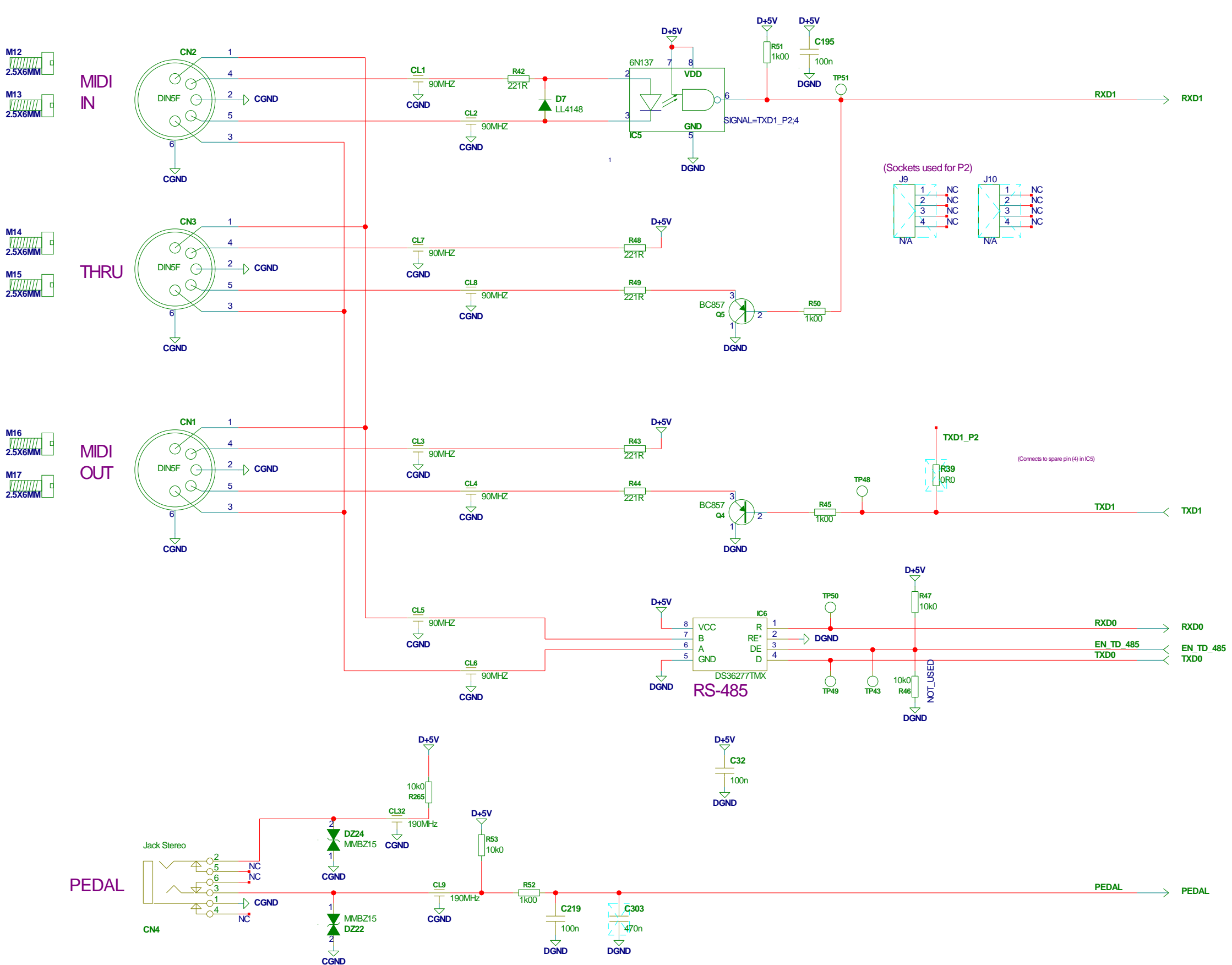


Unused Testpoints



TC Electronic A/S		Designer MAR
Title MAINBOARD FIREWORX / M3000	Module title P13006_WX2POW_P13006-DE_1	
Number P13006	Revision DEC	Previous page 1
Date 19-4-2011_8:52	Filename	Page / of 2 / 15





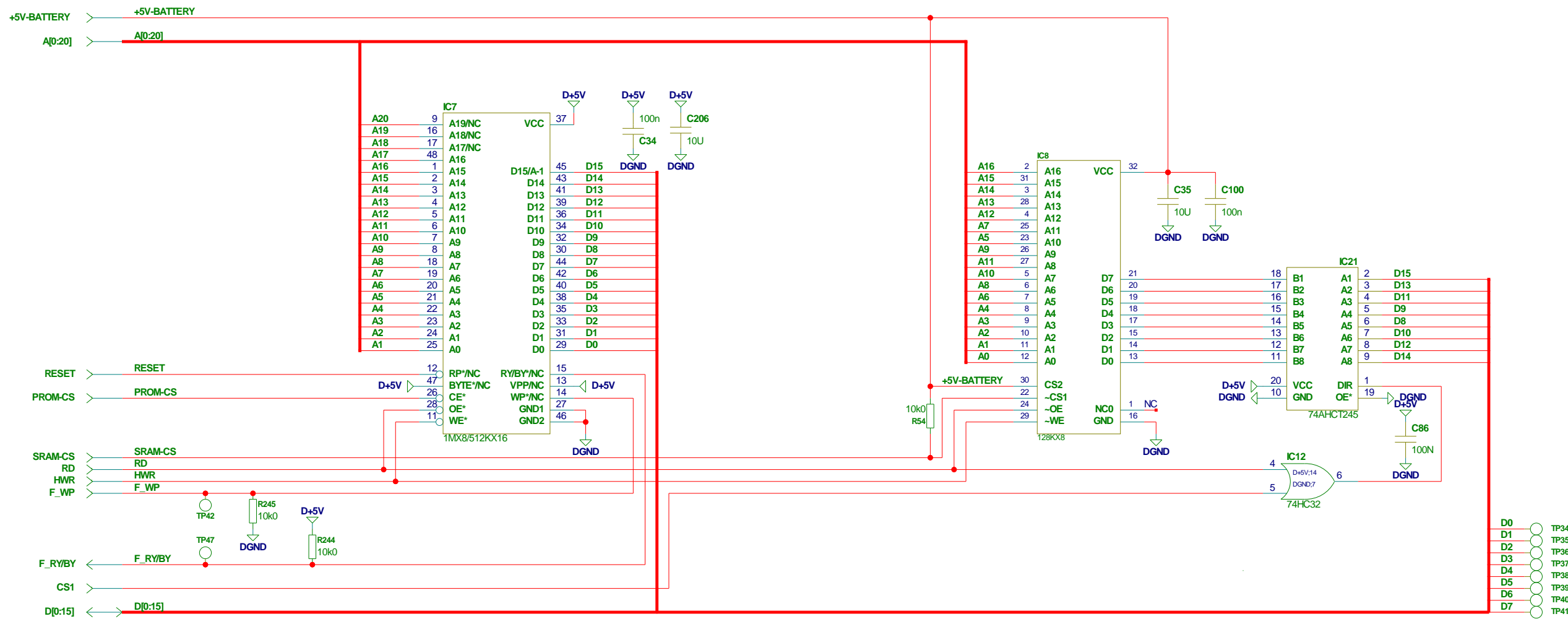
(Connects to spare pin (4) in IC5)

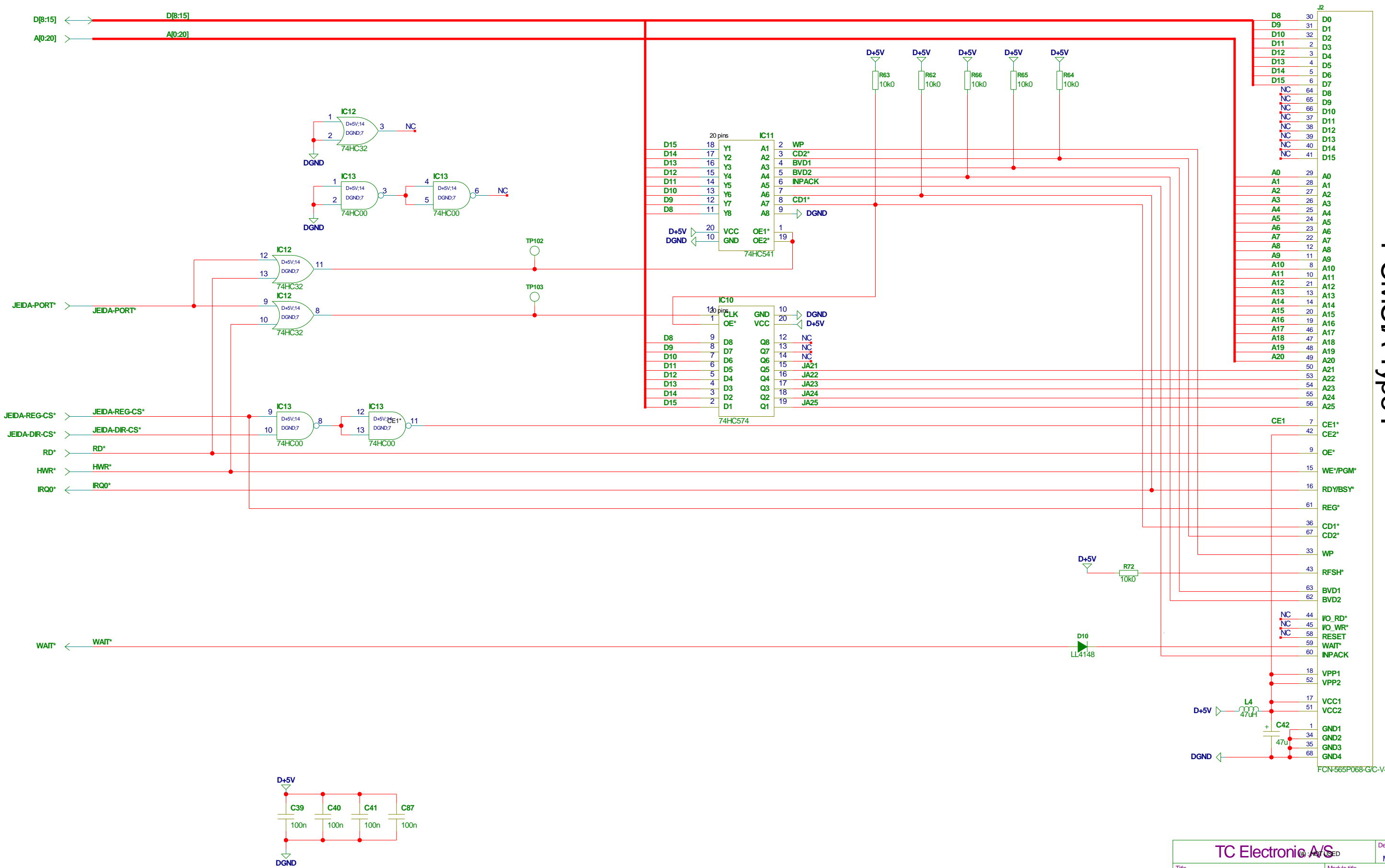
MIDI IN

THRU

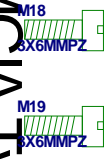
MIDI OUT

PEDAL



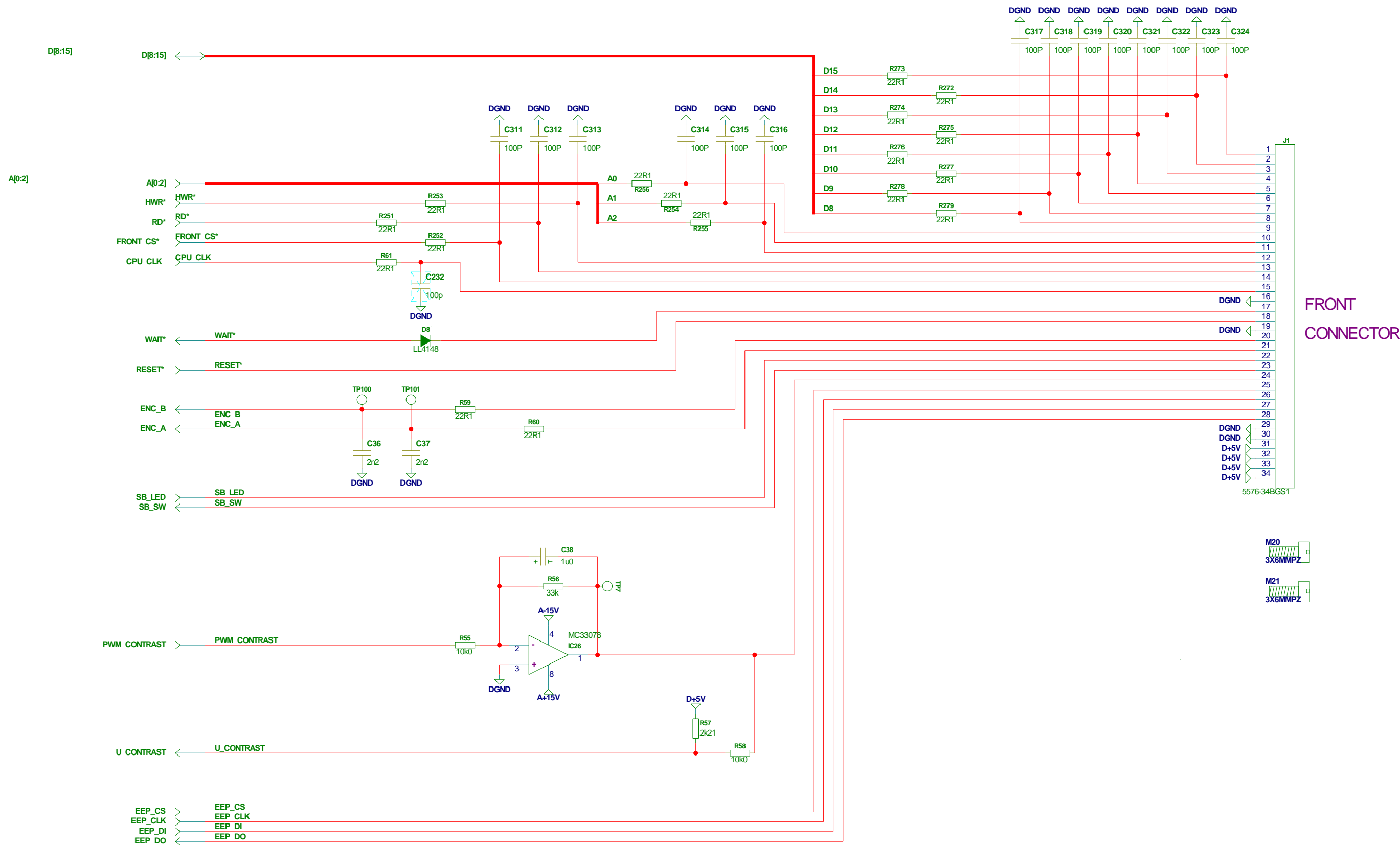


PCMCIA Type I

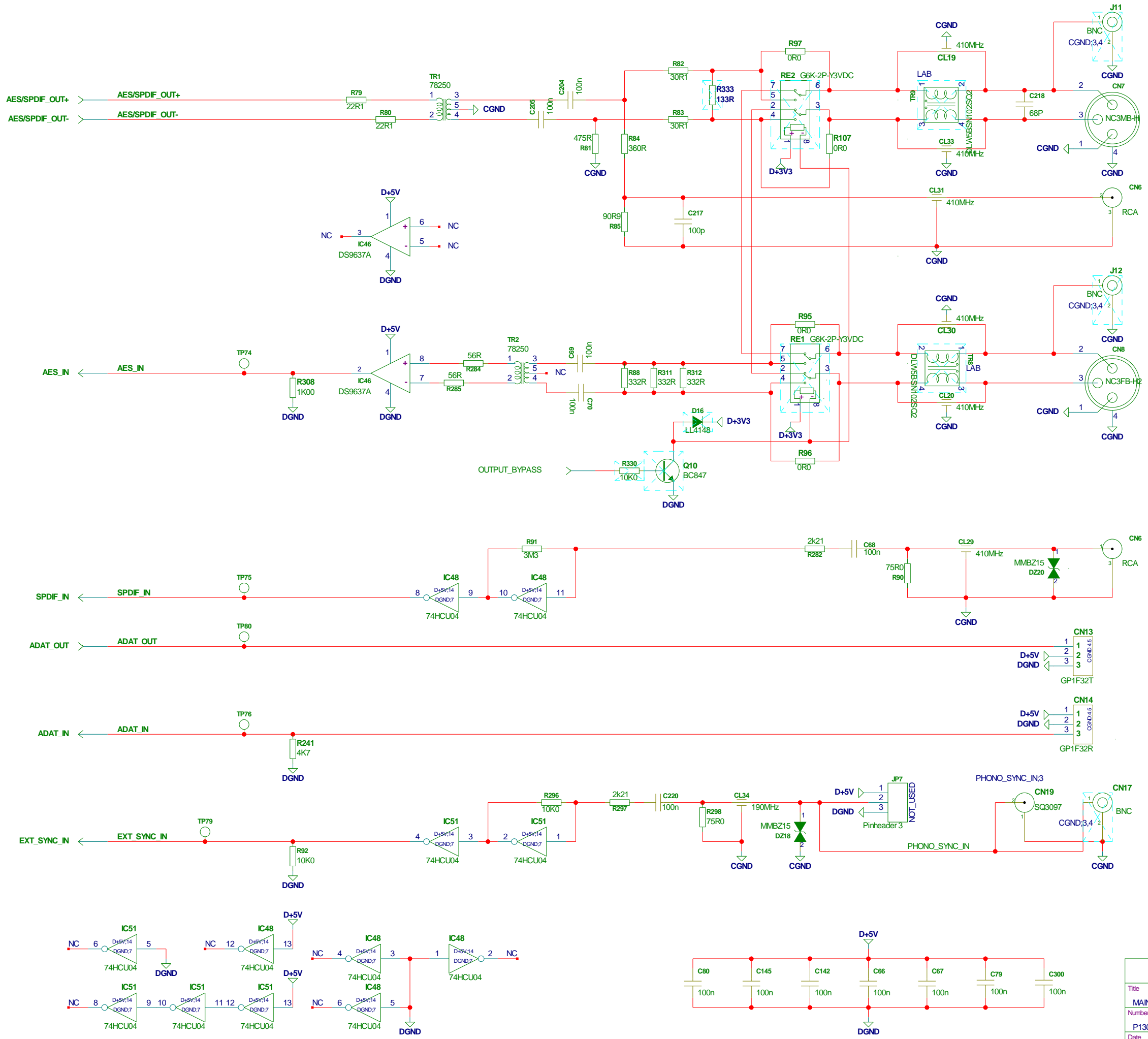


FCN-565P068-GC-V4

TC Electronic AS		Designer MAR
Title MAINBOARD FIREWORX / M3000	Module title P13006_WX2JEL_P13006-DE_1	
Number "DBMX MAIN BOARD" P13006	Revision DEC	Previous page 3
Date 19-4-2011_8:53	Filename	Page / of 6 / 15



TC Electronic A/S		Designer MAR
Title MAINBOARD FIREWORX / M3000	Module title P13006_WX2FNT_P13006-DE_1	
Number P13006	Revision DEC	Previous page 3
Date 19-4-2011_8:54	Filename	Page / of 7 / 15



Optional AES3id
BNC OUT

AES/EBU
XLR OUT

S/PDIF
RCA PHONO OUT

Optional AES3id
BNC IN

AES/EBU
XLR IN

S/PDIF
RCA PHONO IN

ADAT
OPTO OUT

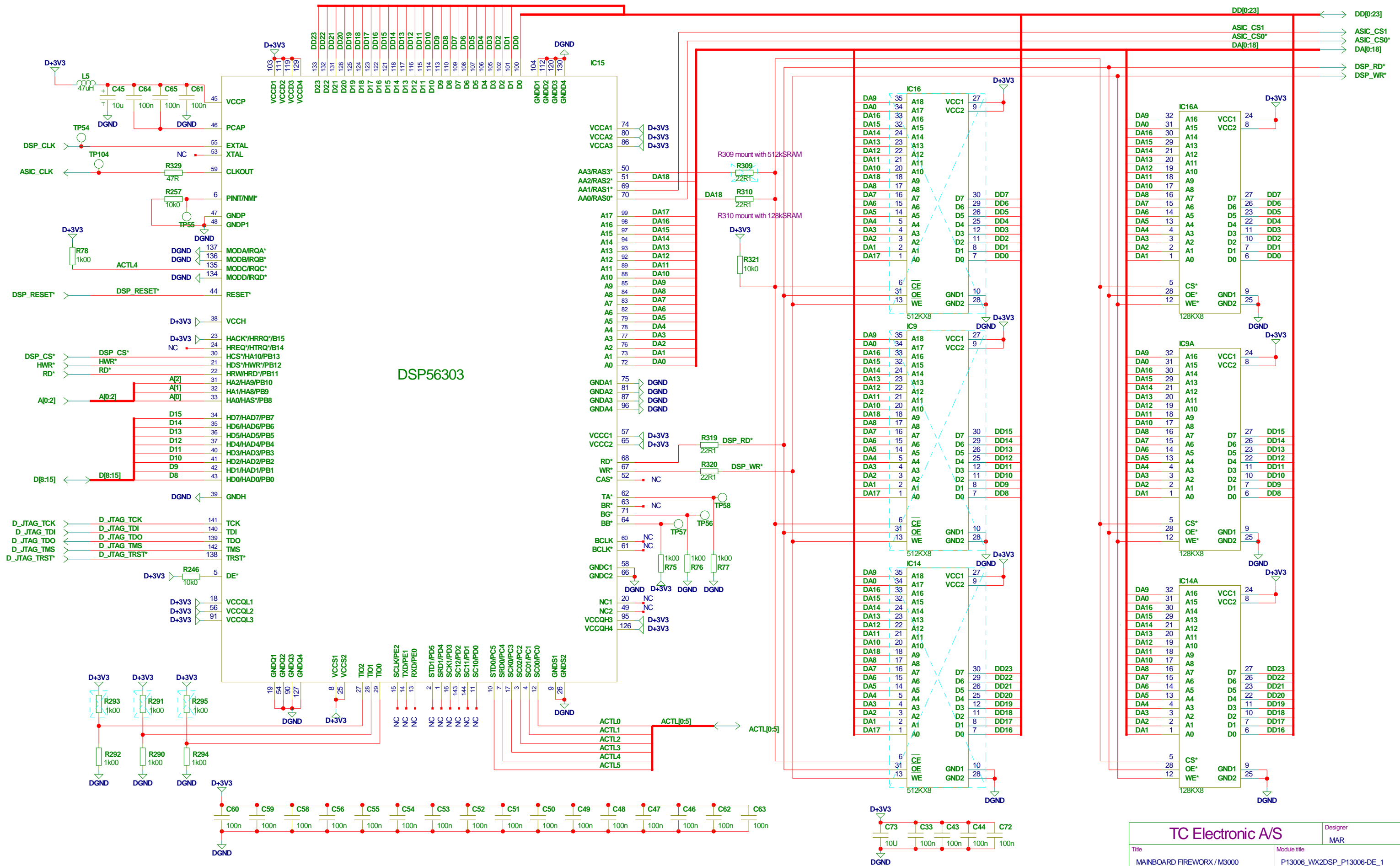
ADAT
OPTO IN

SYNC IN

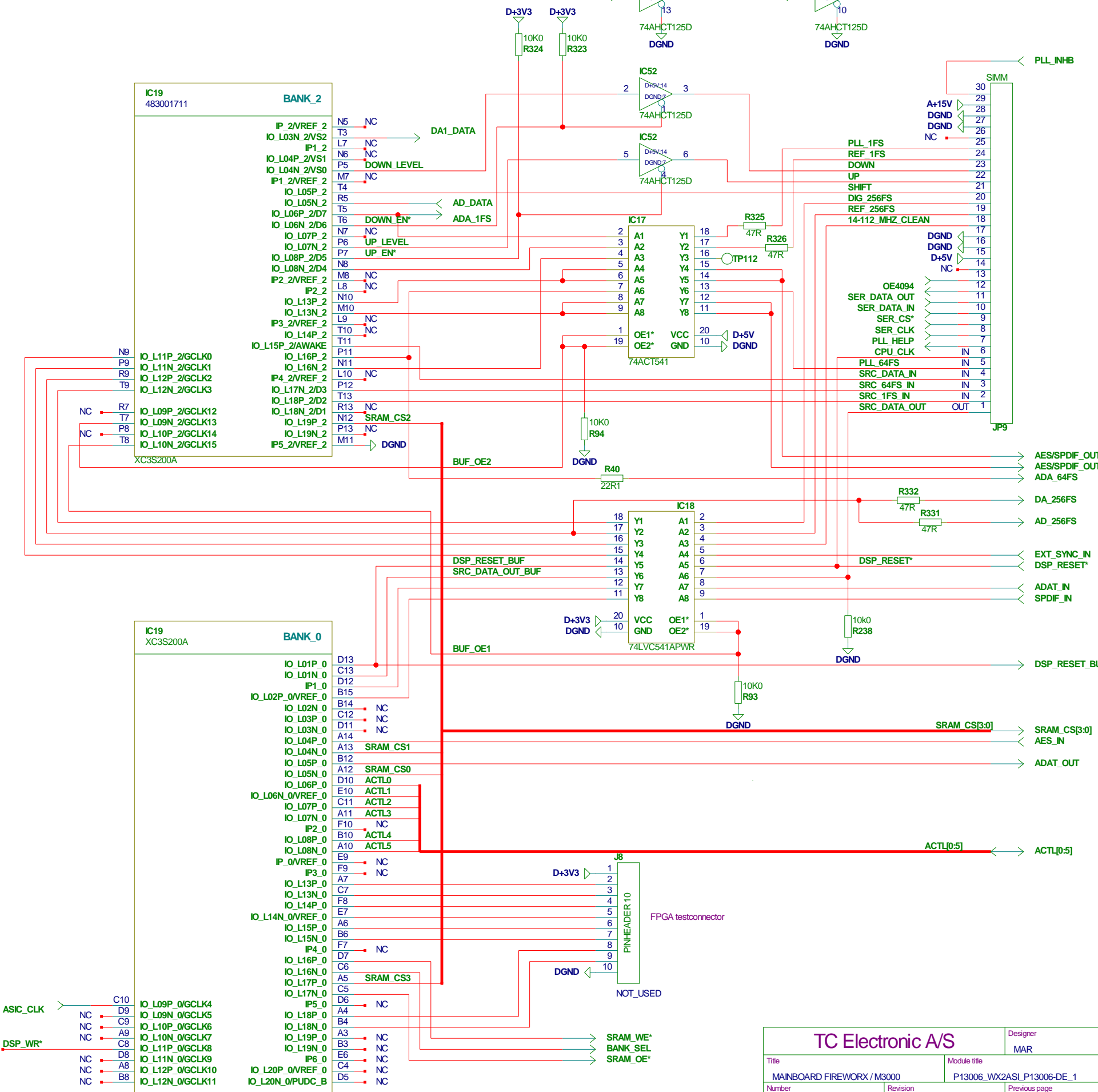
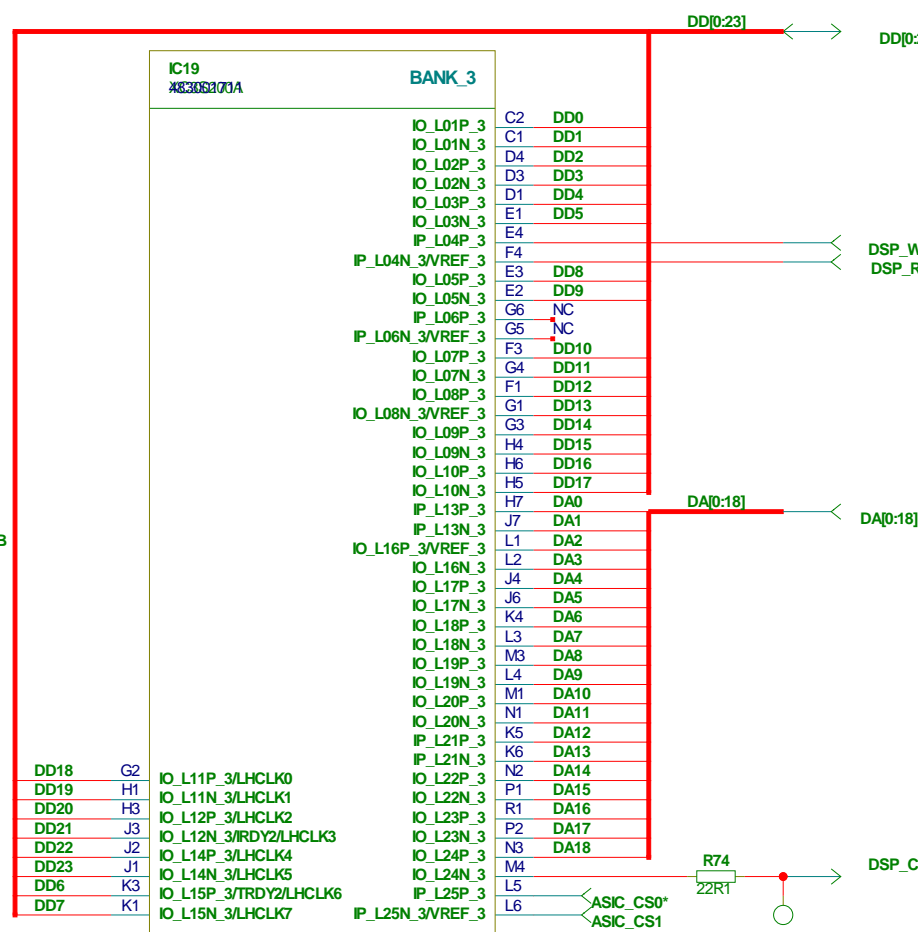
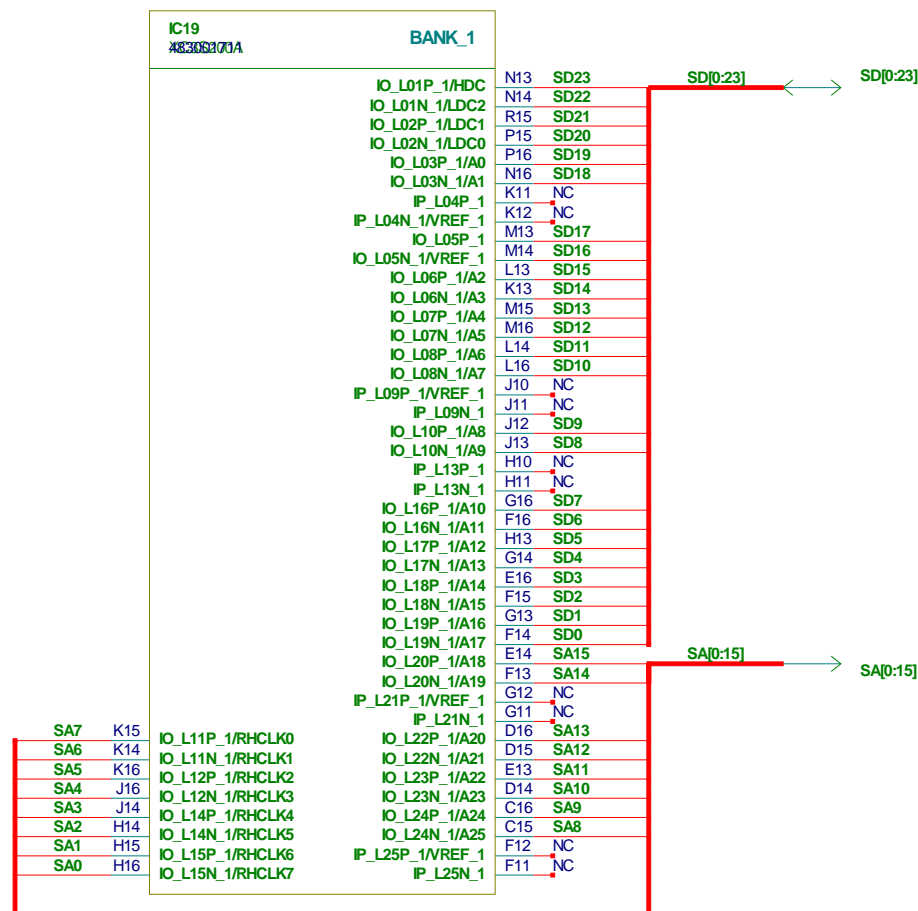
TC Electronic A/S		Designer MAR
Title MAINBOARD FIREWORX / M3000	Module title P13006_WX2DGL_P13006-DE_1	
Number P13006	Revision DEC	Previous page 1
Date 19-4-2011_8:54	Filename	Page / of 8 / 15

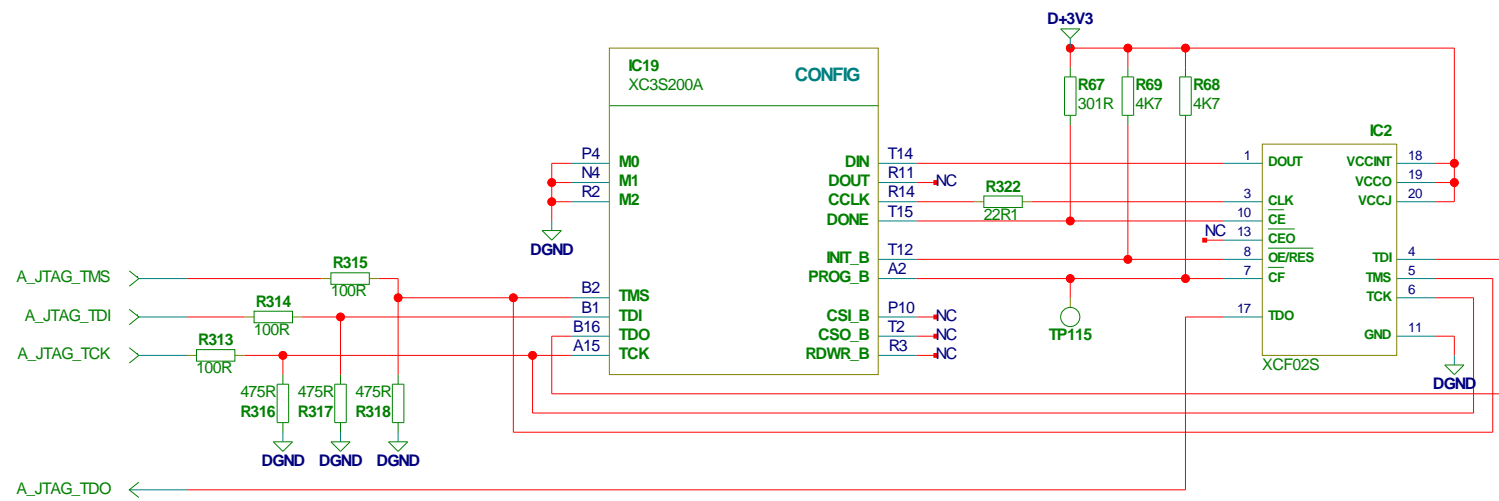
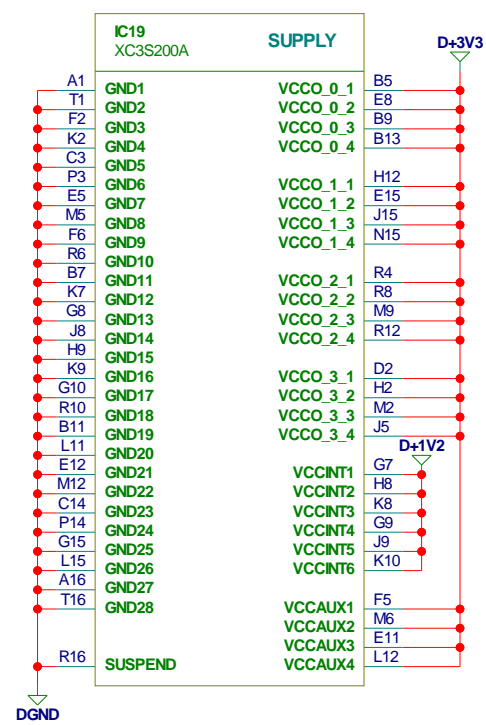
512k SRAM option

128k SRAM option

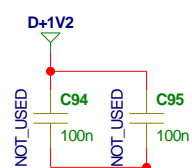


TC Electronic A/S		Designer	MAR
Title	Module title		P13006_WX2DSP_P13006-DE_1
Number	Revision	Previous page	
P13006	DEC	1	
Date	Filename	Page / of	
19-4-2011_8:54		9 / 15	

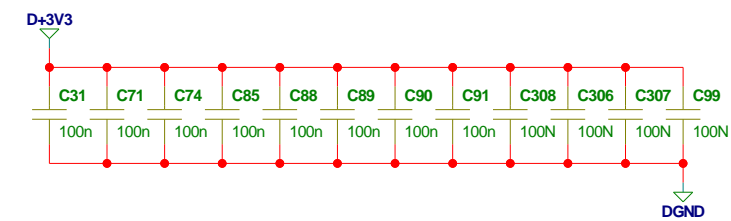
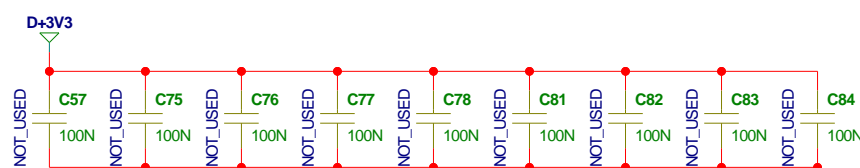
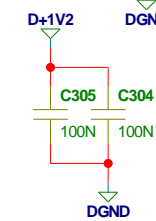


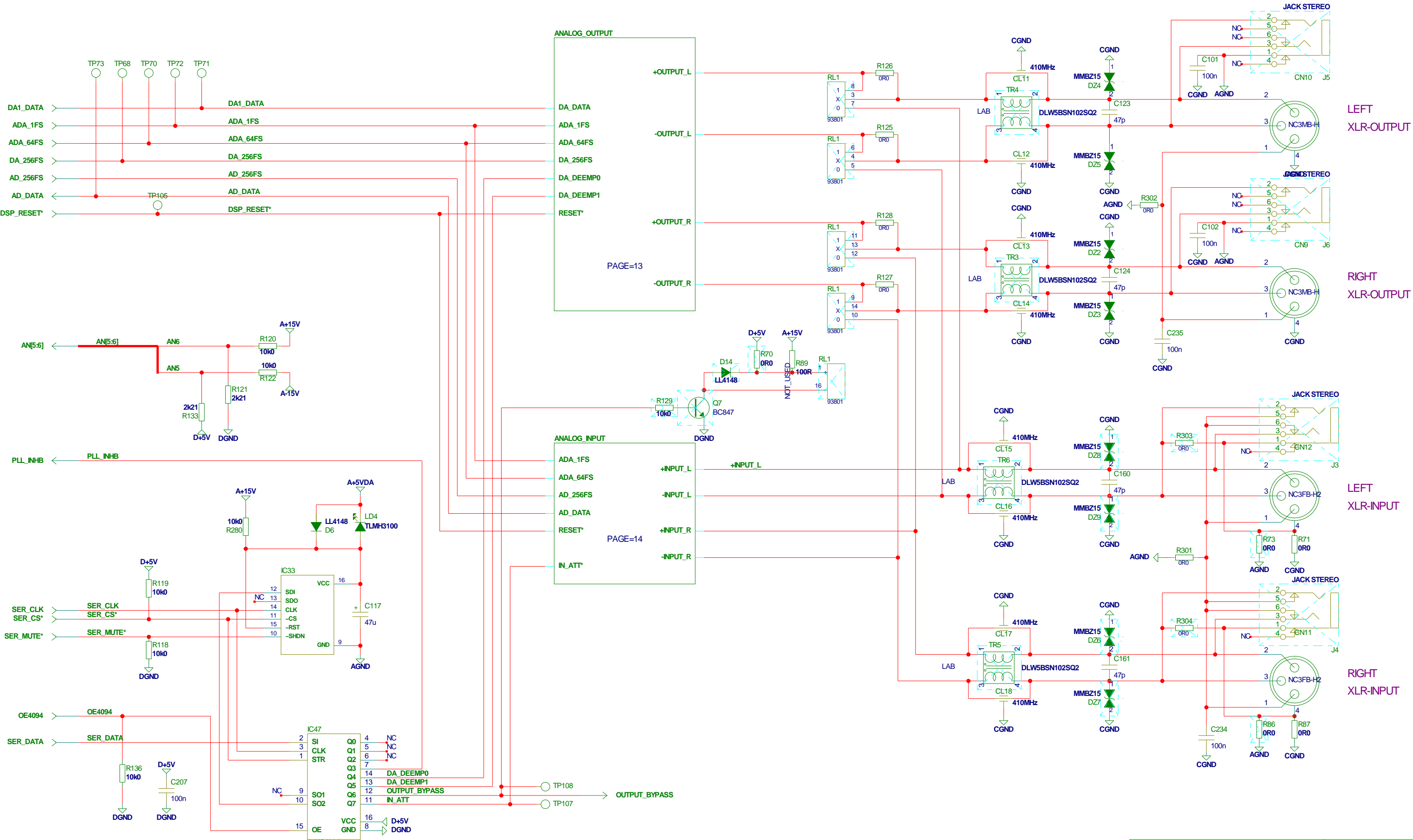


Mounted on bottom

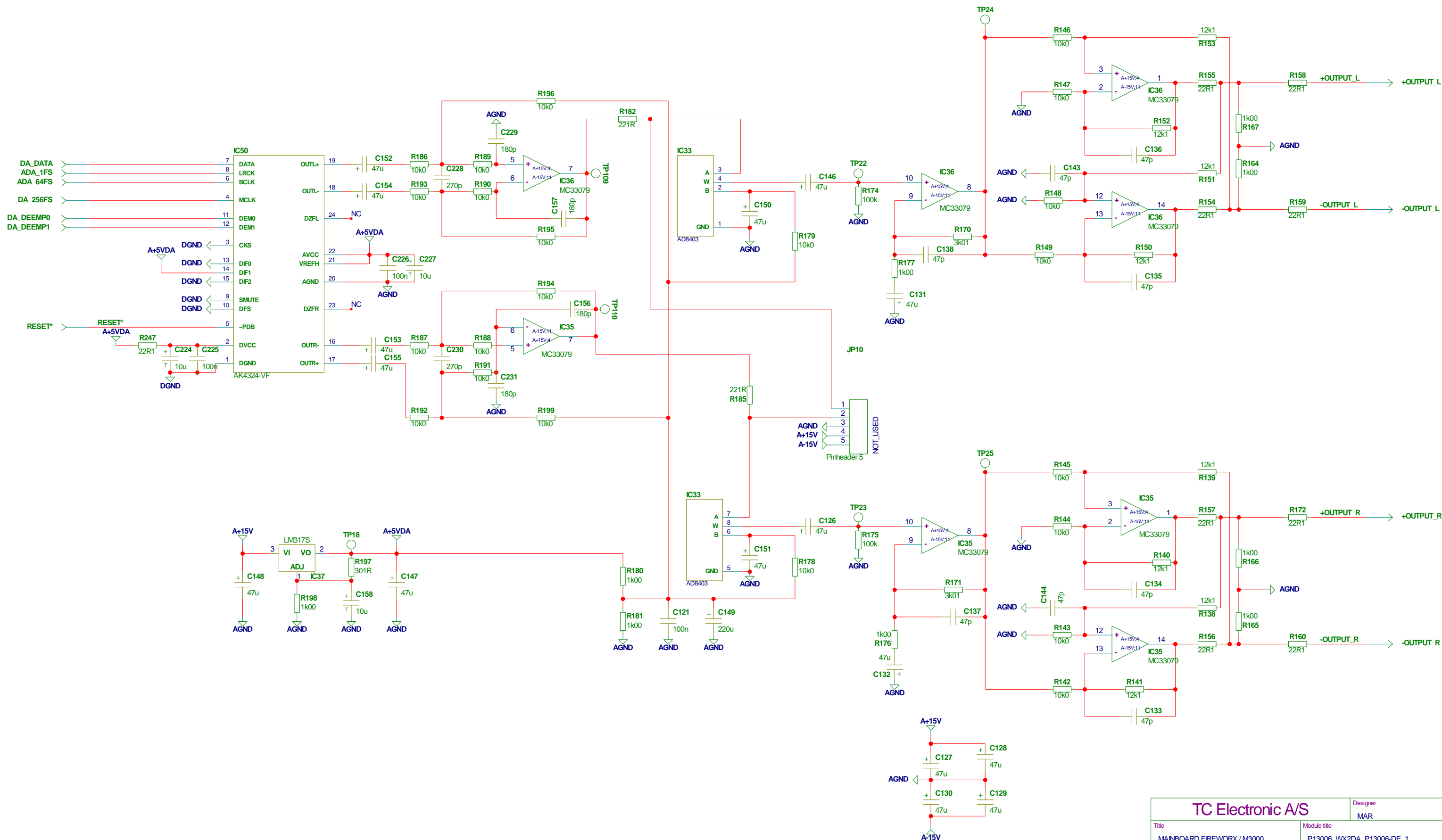


Mounted on top

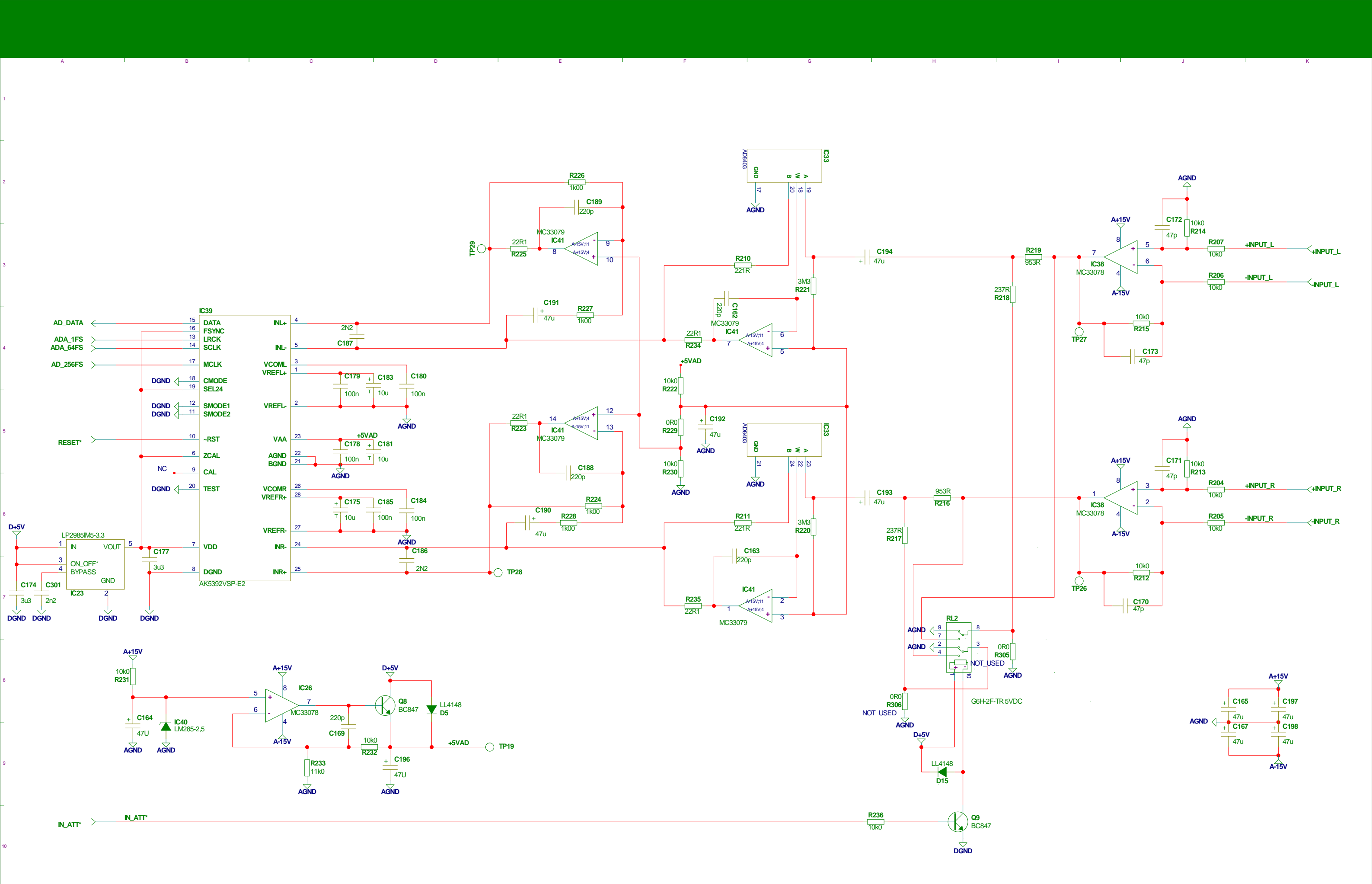




TC Electronic A/S		Designer
Title		MAR
MAINBOARD FIREWORX / M3000	Module title	P13006_WX2ADA_P13006-DE_1
Number	Revision	Previous page
P13006	DEC	1
Date	Filename	Page / of
19-4-2011_8:55		12 / 15



TC Electronic A/S		Designer
Title		MAR
MAINBOARD FIREWORX / M3000		Module title
P13006		P13006_WX2DA_P13006-DE_1
Number	Revision	Previous page
P13006	DEC	12
Date	Filename	Page / of
19-4-2011_8:56		13 / 15



TC Electronic A/S		Designer MAR
Title MAINBOARD FIREWORX / M3000	Module title P13006_WX2AD_P13006-DE_1	
Number P13006	Revision DEC	Previous page 12
Date 19-4-2011_8:56	Filename	Page / of 14 / 15

