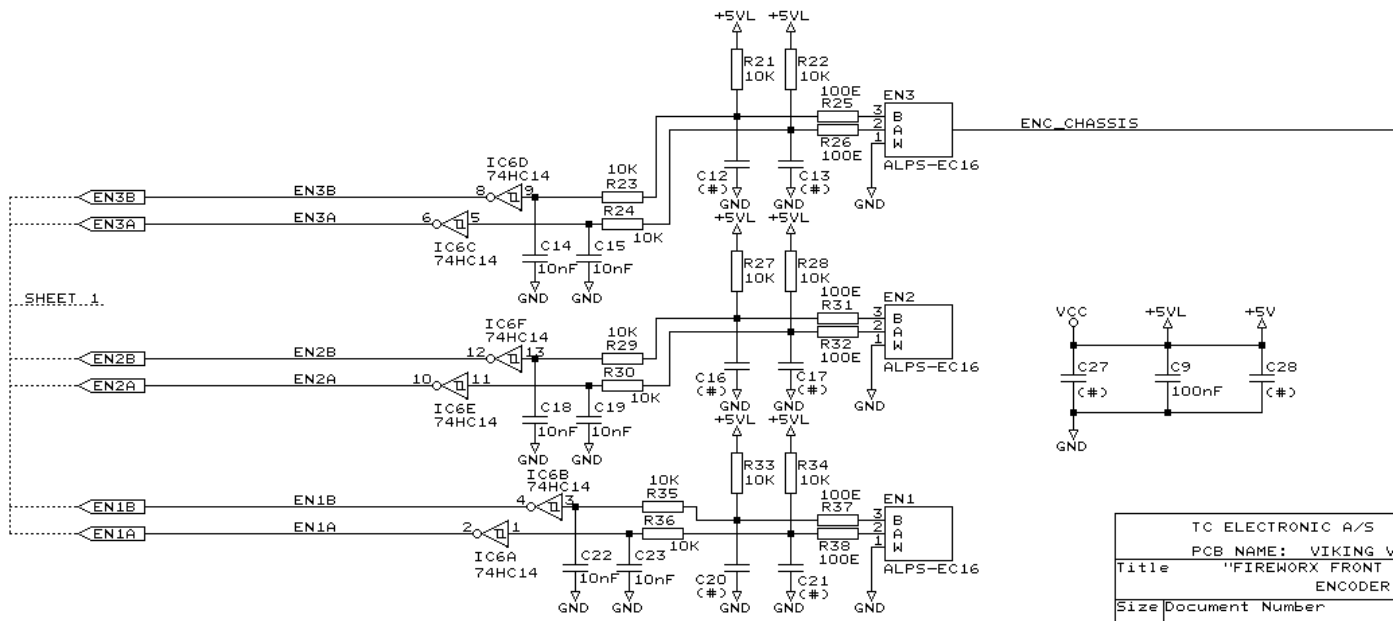
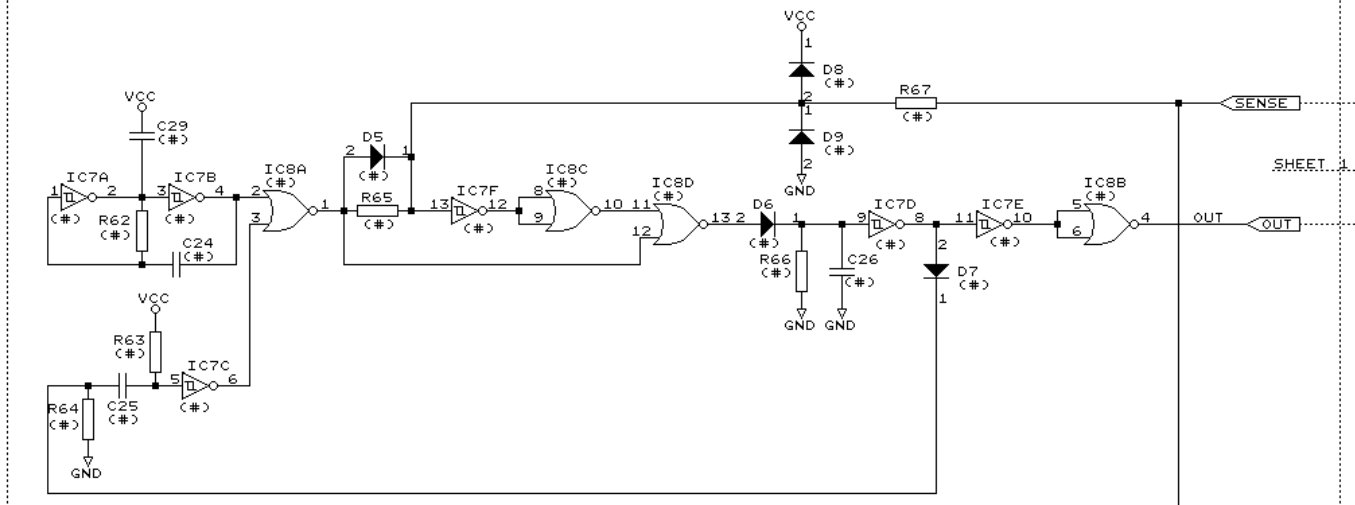


(#) : NOT USED

TC ELECTRONIC A/S		
PCB NAME: VIKING V, PC12505-2		
Title "FIREHORX FRONT BOARD" MAIN		
Size	Document Number	REV
B	P1250521.SCH	2.1
Date:	May 27, 1999	Sheet 1 of 4

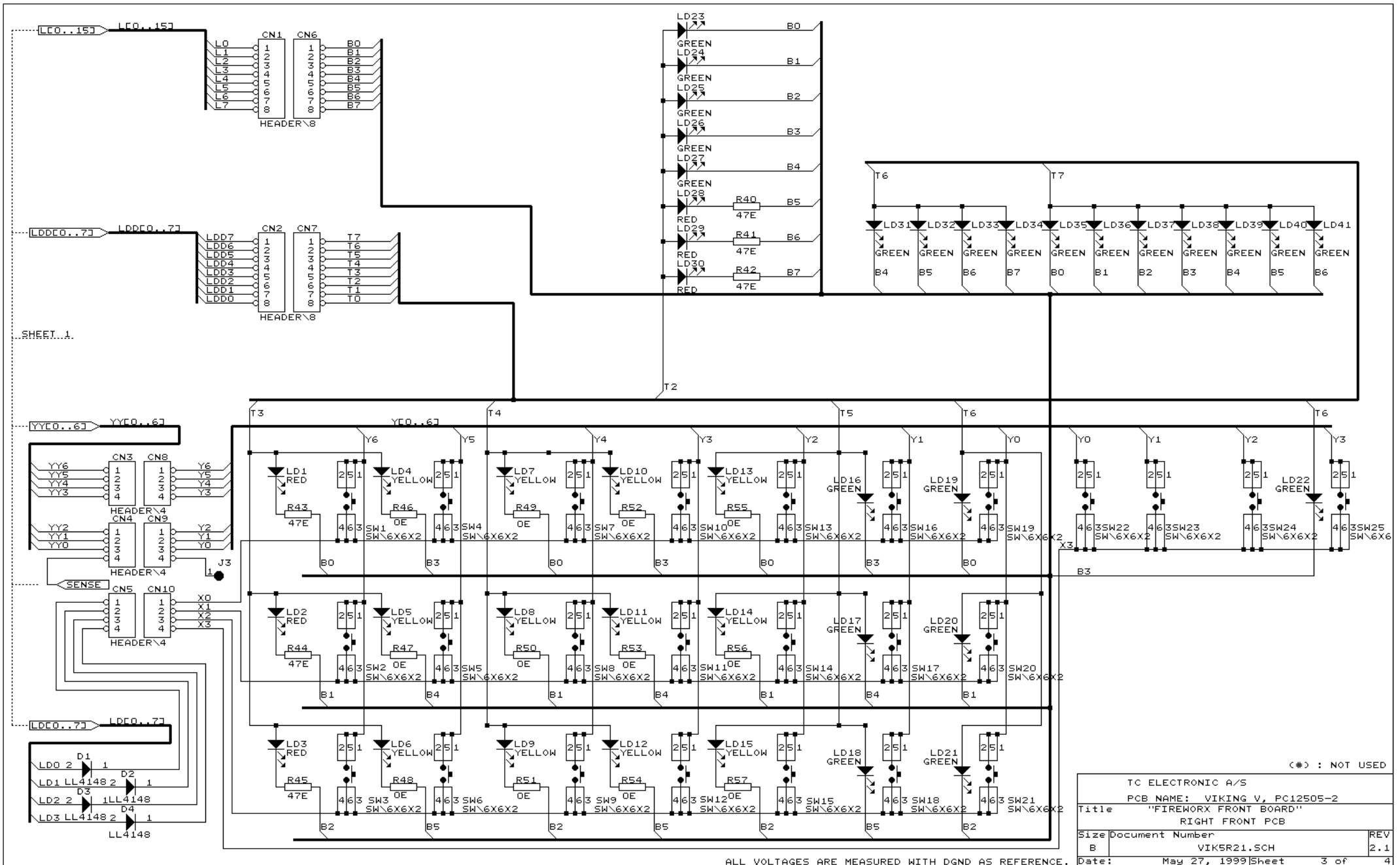
OPTION (not mounted): Hum detection circuit

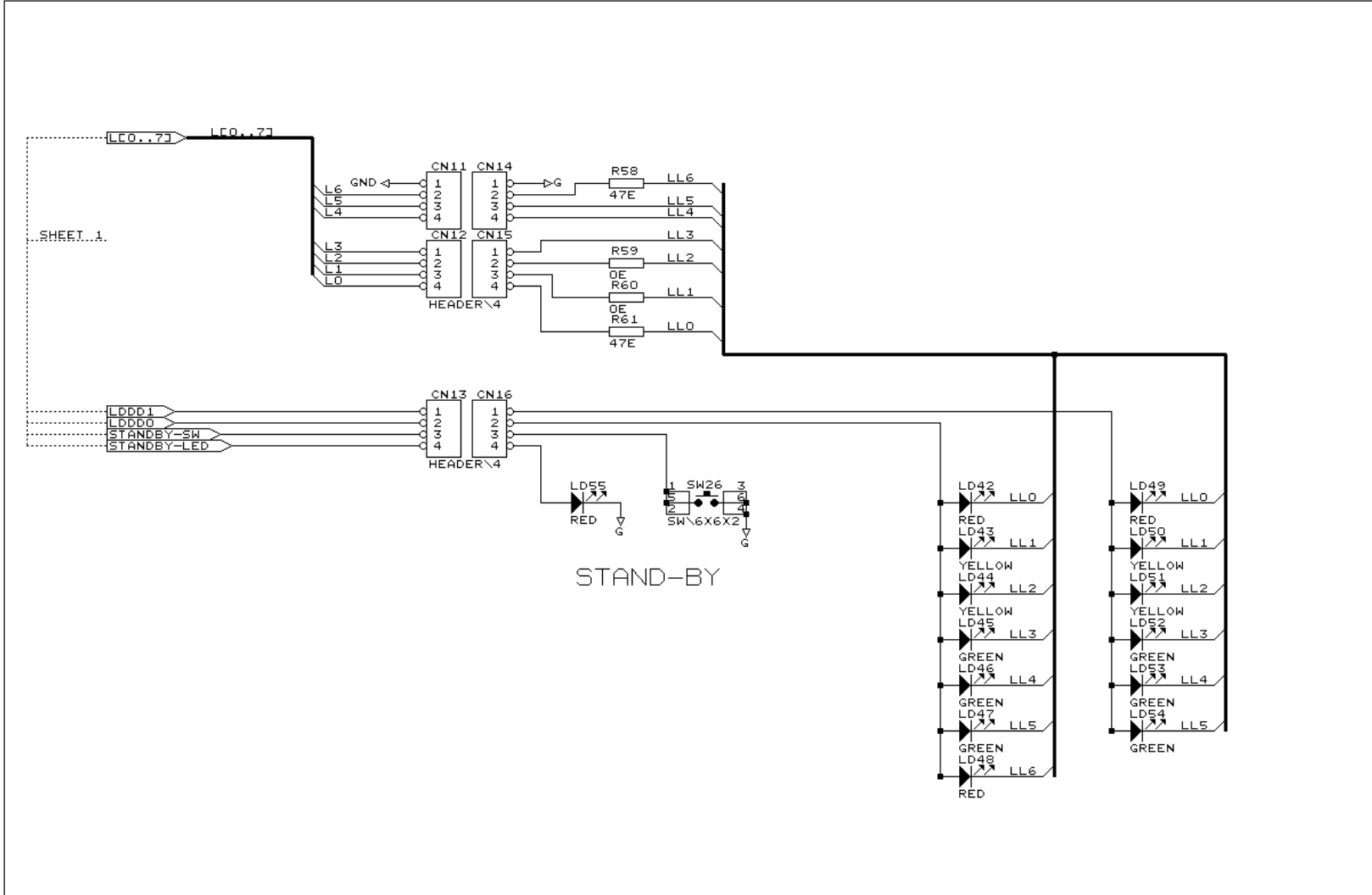


(<#> : NOT USED

TC ELECTRONIC A/S		
PCB NAME: VIKING V, PC12505-2		
Title "FIREWORX FRONT BOARD"		
ENCODER		
Size	Document Number	REV
A	ENC0021.sch	2.1
Date:	June 11, 1999	Sheet 2 of 4

ALL VOLTAGES ARE MEASURED WITH DGND AS REFERENCE.





SHEET 1.

STAND-BY

(<#> : NOT USED

TC ELECTRONIC A/S		
PCB NAME: VIKING V, PC12505-2		
Title "FIREWORX FRONT BOARD" LEFT FRONT PCB		
Size	Document Number	REV
A	VIK5L21.SCH	2.1
Date:	May 27, 1999	Sheet 4 of 4

ALL VOLTAGES ARE MEASURED WITH DGND AS REFERENCE.