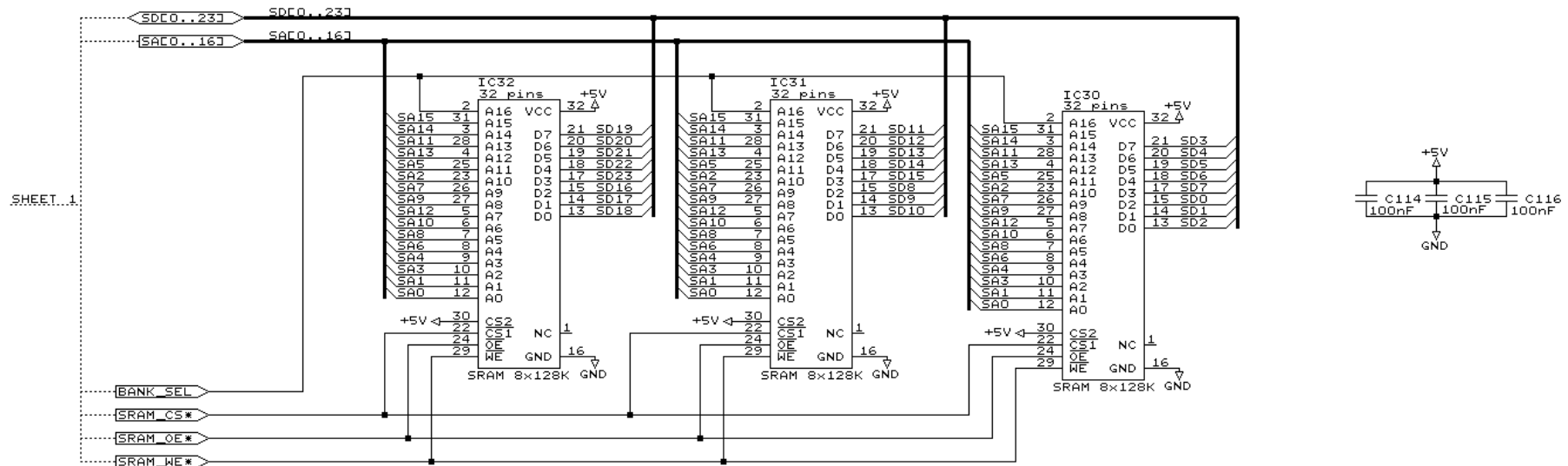


(#) : NOT USED

TC ELECTRONIC A/S		
PCB NAME: WIZARD II, PC13001-4		
Title "DBMAX MAIN BOARD" MAIN BOARD		
Size	Document Number	REV
B	P1300147.SCH	4.7
Date:	June 9, 1999	Sheet 1 of 14

ALL VOLTAGES ARE MEASURED WITH DGND AS REFERENCE.

# SOUND RAM

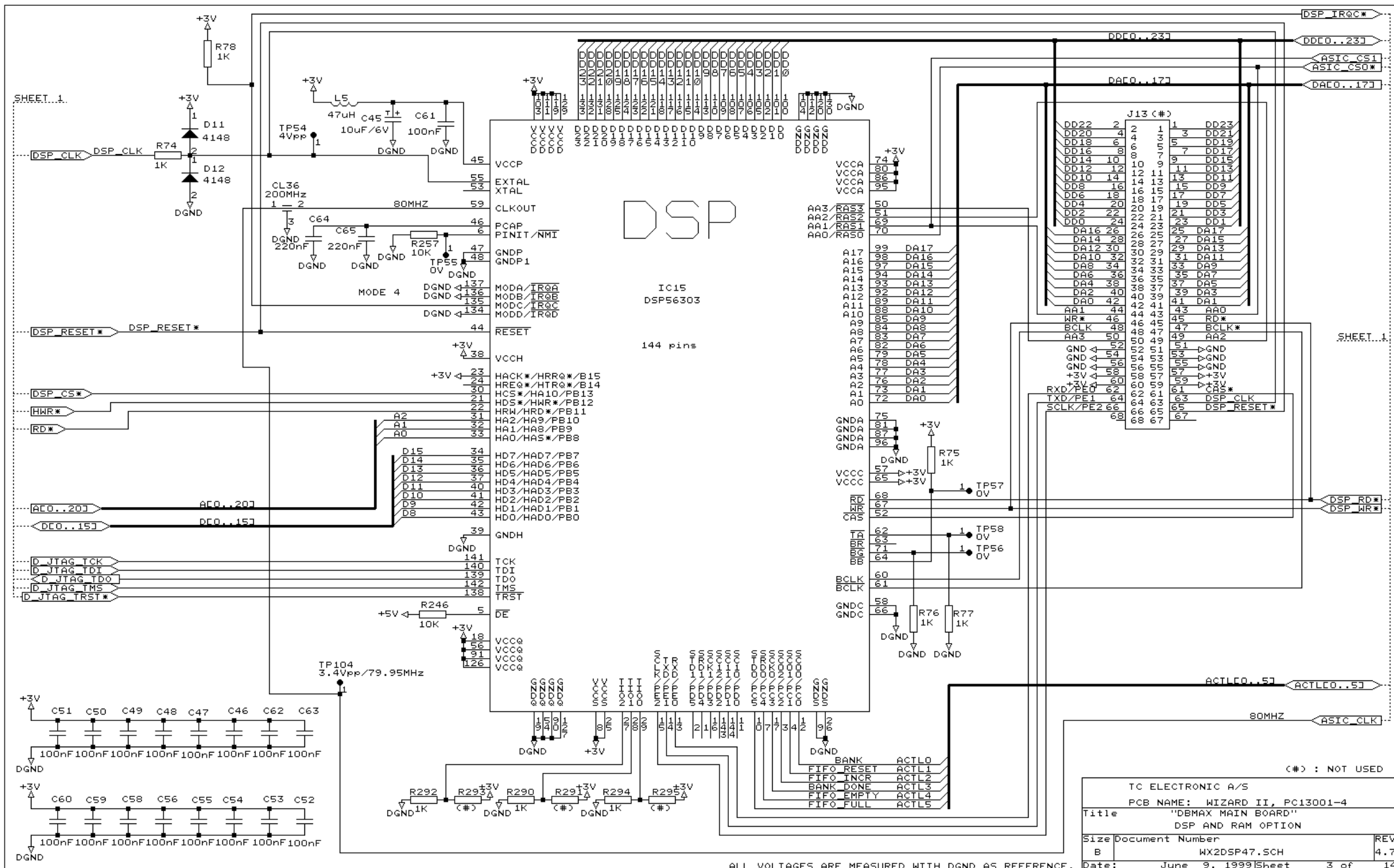


SHEET...1

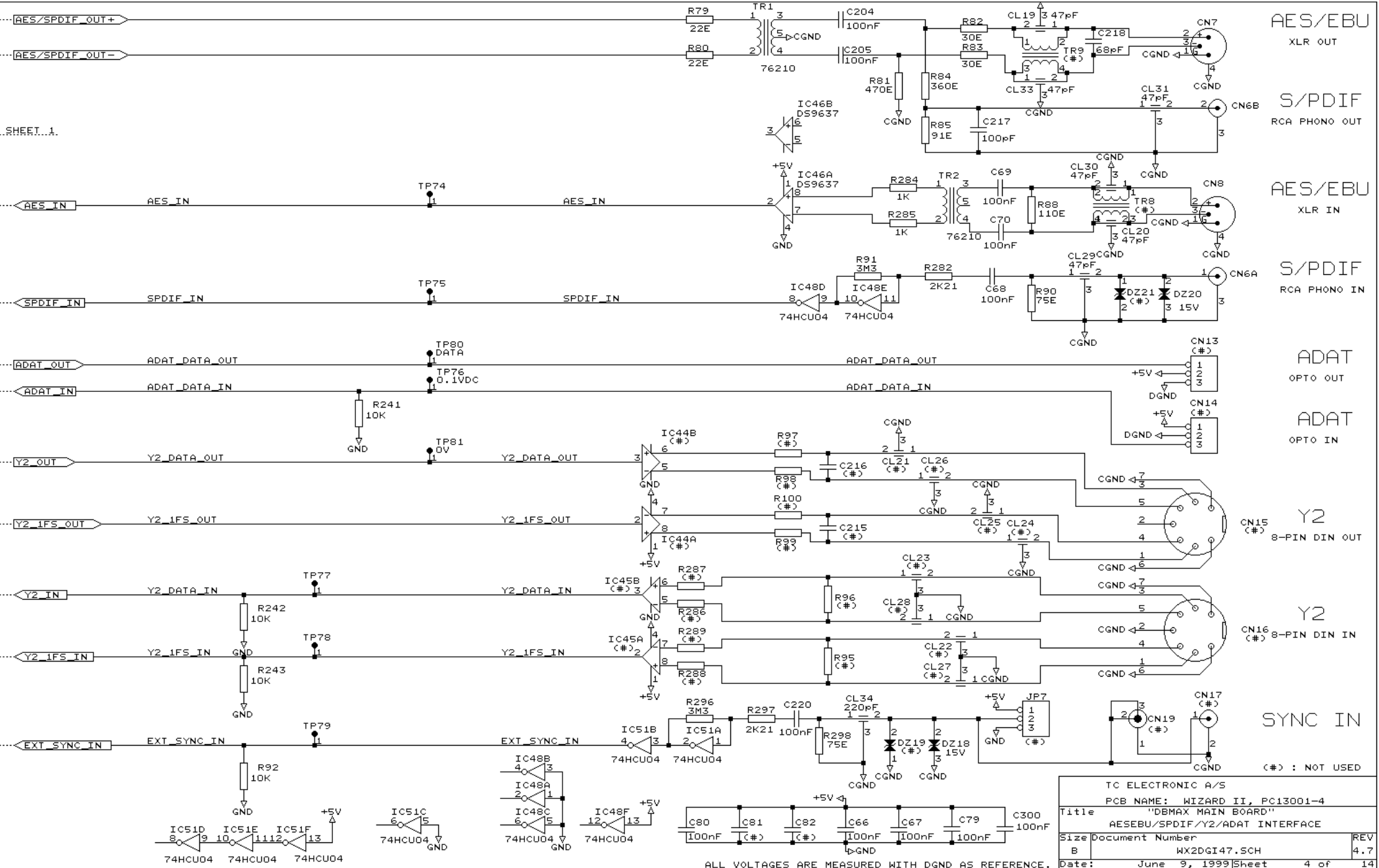
(#) : NOT USED

TC ELECTRONIC A/S		
PCB NAME: WIZARD II, PC13001-4		
Title "DBMAX MAIN BOARD"		
MEMORY FOR DSP		
Size	Document Number	REV
B	WX2DSM47.SCH	4.7
Date:	June 9, 1999	Sheet 2 of 14

ALL VOLTAGES ARE MEASURED WITH DGND AS REFERENCE.

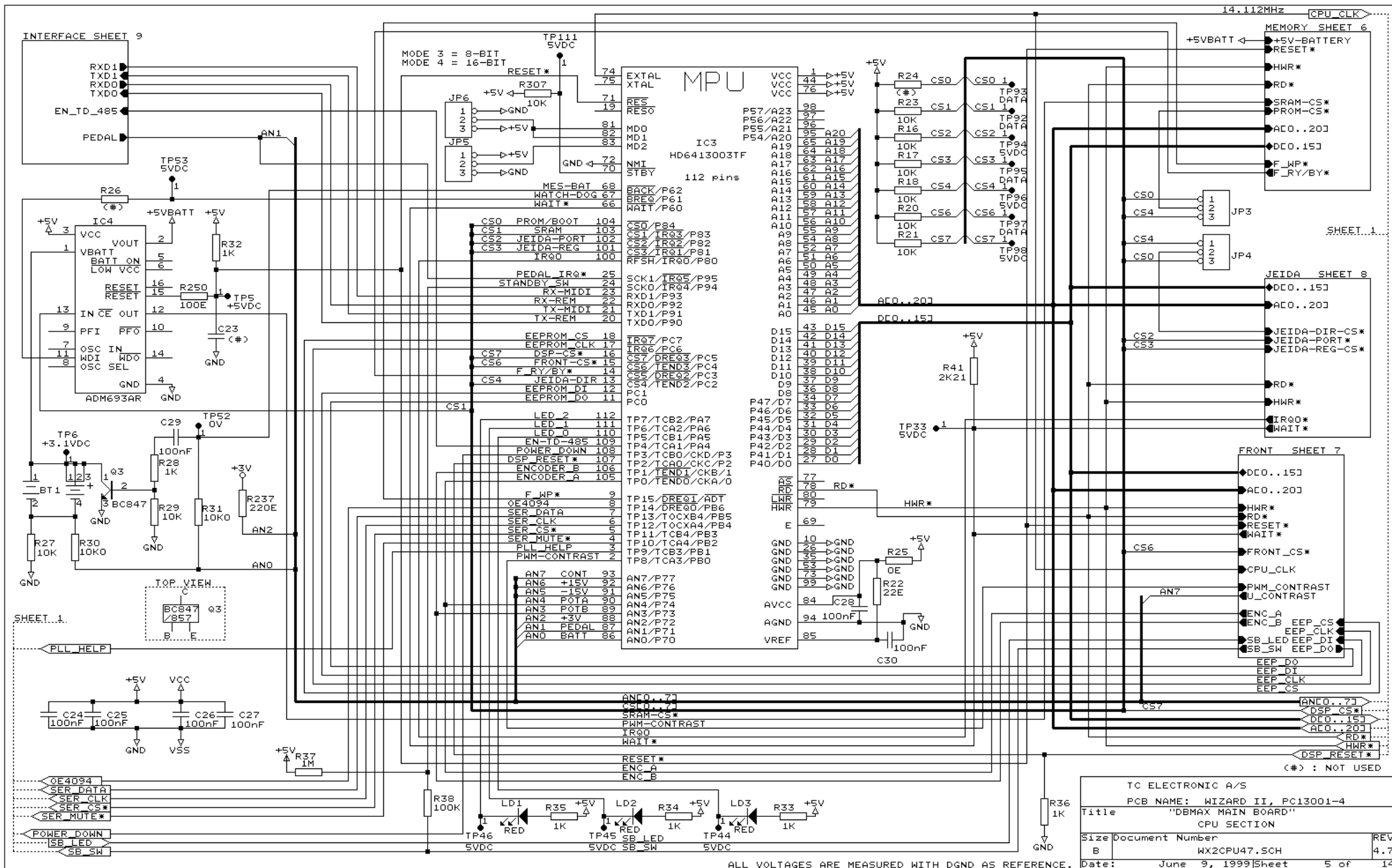


SHEET...1.



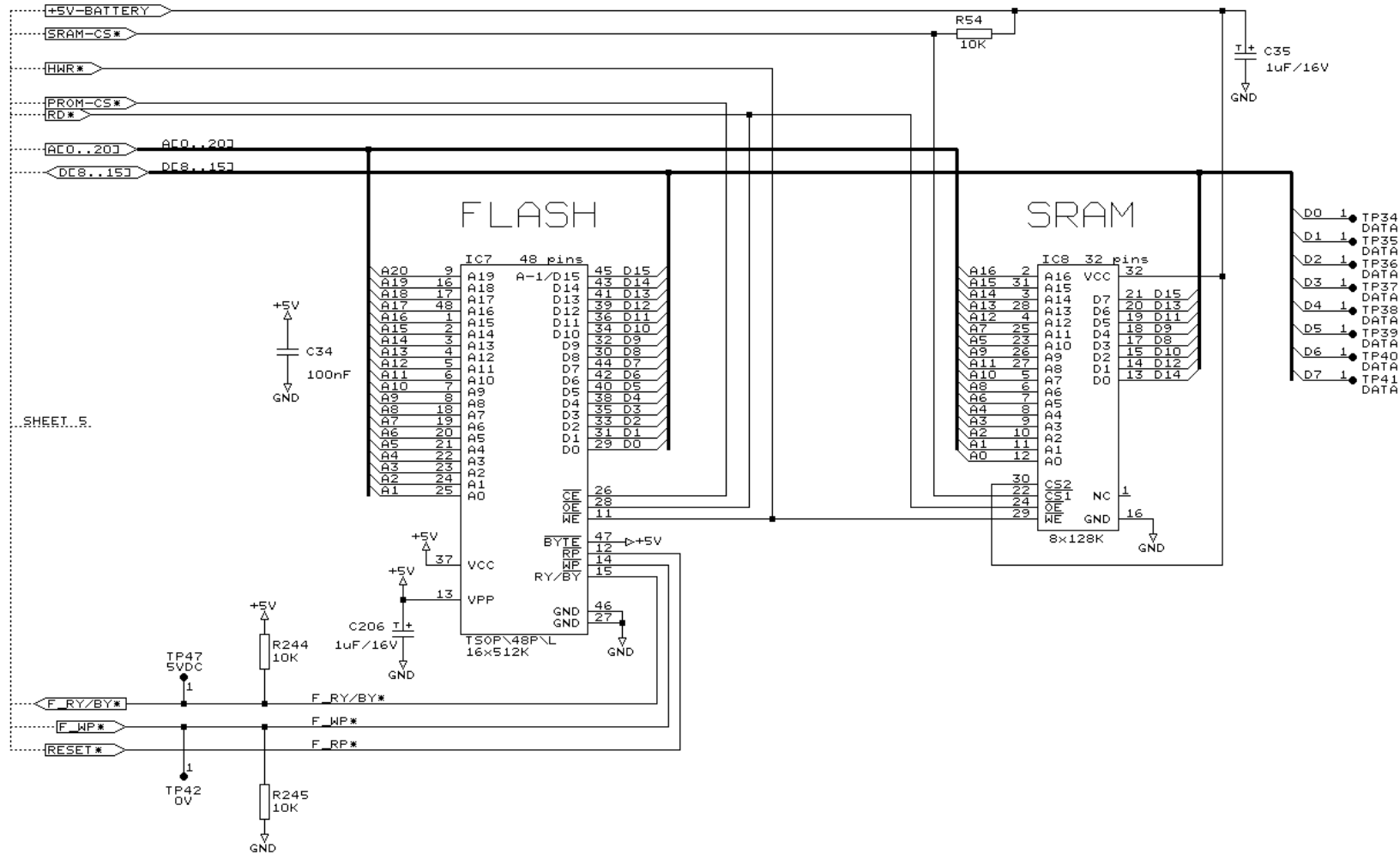
TC ELECTRONIC A/S	
PCB NAME: WIZARD II, PC13001-4	
Title "DBMAX MAIN BOARD"	
AESEBU/SPDIF/Y2/ADAT INTERFACE	
Size	Document Number
B	HX2DGI47.SCH
Date:	June 9, 1999
Sheet	4 of 14
REV	4.7

ALL VOLTAGES ARE MEASURED WITH DGND AS REFERENCE.



TC ELECTRONIC A/S	
PCB NAME: WIZARD II, PC13001-4	
Title "DBMAX MAIN BOARD" CPU SECTION	
Size	Document Number
B	WX2CPU47.SCH
REV	4.7
Date:	June 9, 1999 Sheet 5 of 14

ALL VOLTAGES ARE MEASURED WITH DGND AS REFERENCE.



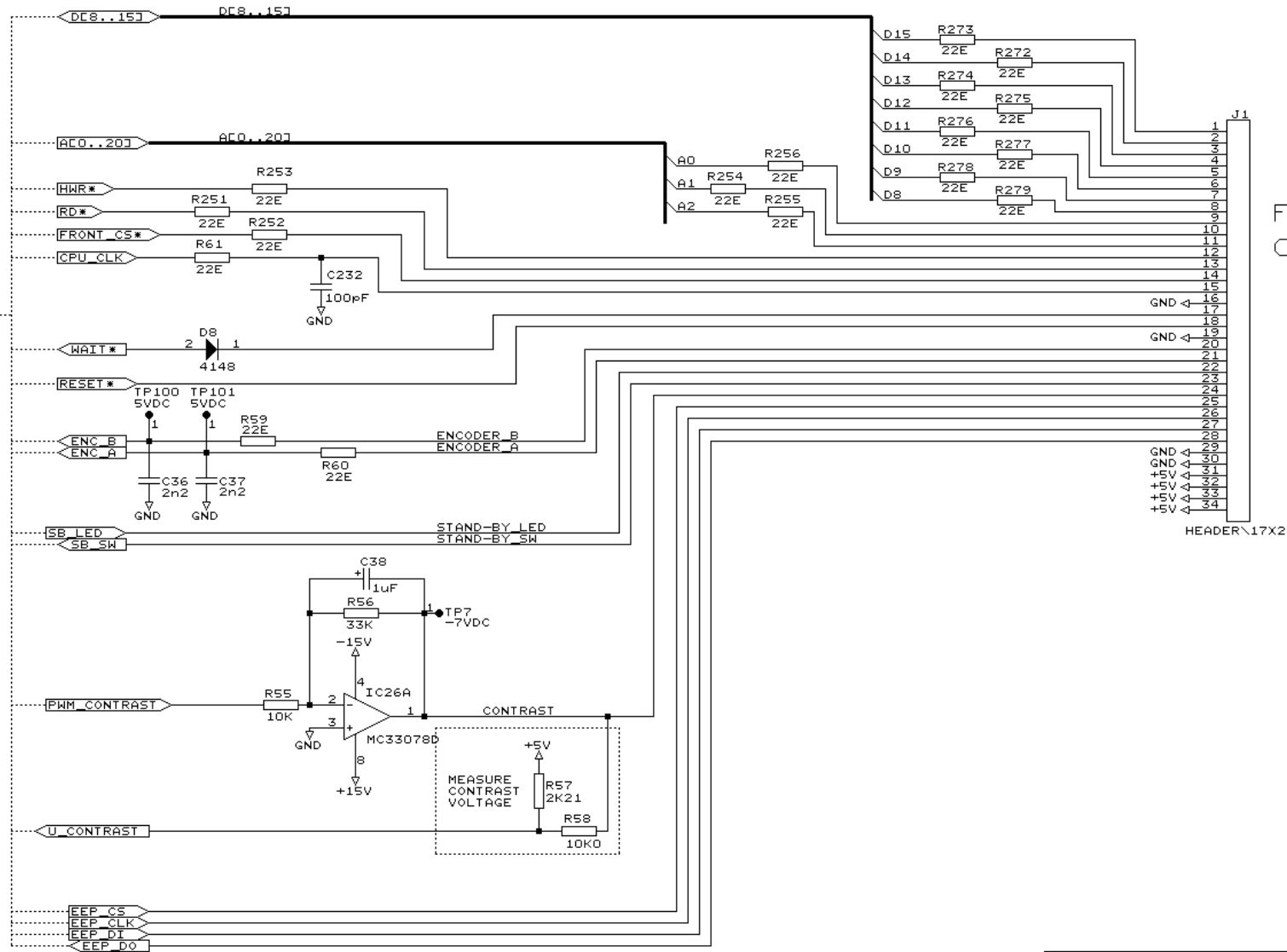
SHEET...5.

(#) : NOT USED

TC ELECTRONIC A/S		
PCB NAME: WIZARD II, PC13001-4		
Title "DBMAX MAIN BOARD" CPU MEMORY		
Size	Document Number	REV
B	WX2MEM47.SCH	4.7
Date:	June 9, 1999	Sheet 6 of 14

ALL VOLTAGES ARE MEASURED WITH DGND AS REFERENCE.

SHEET 5



FRONT CONNECTOR

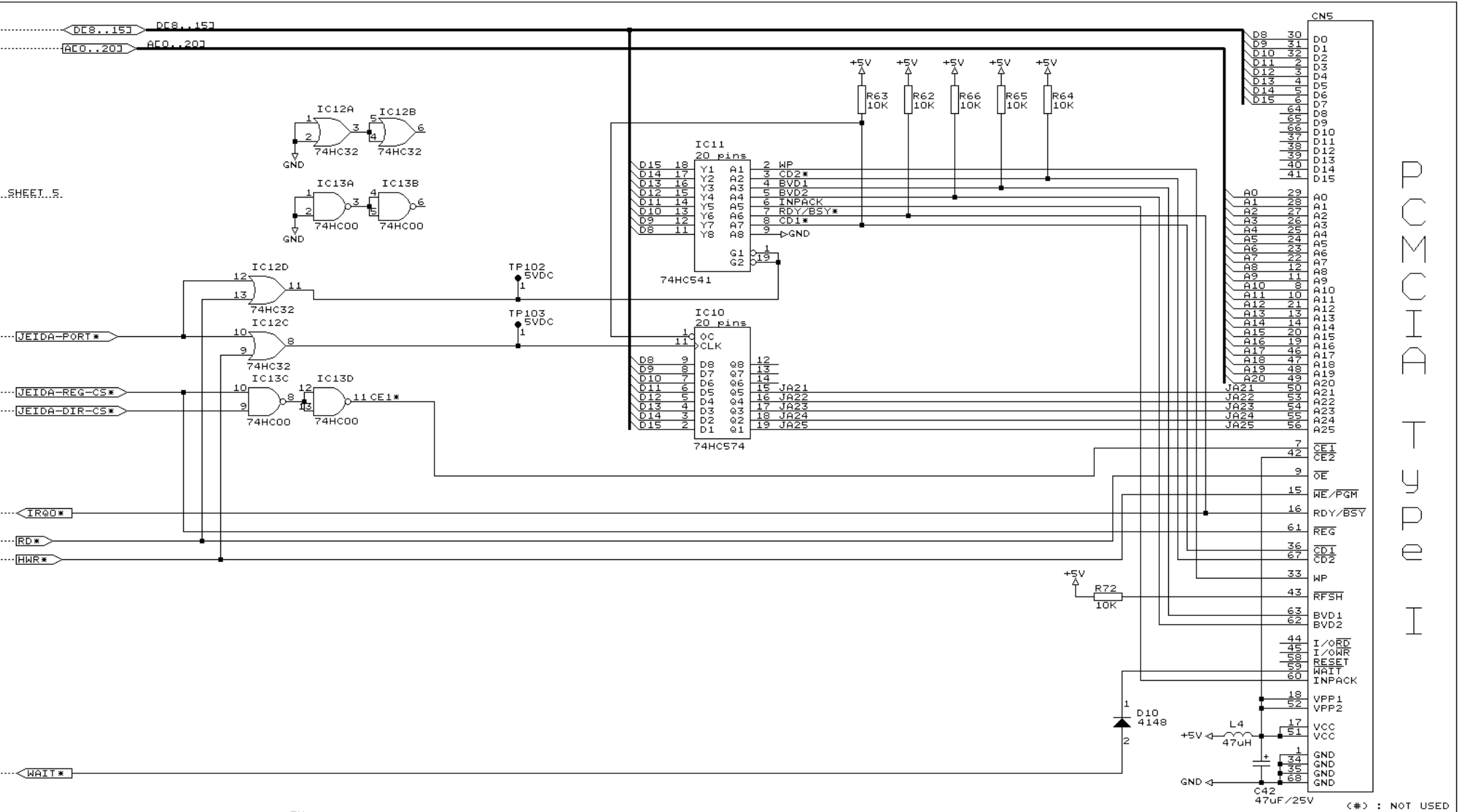
HEADER 17X2

(#) : NOT USED

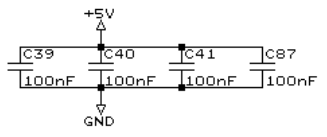
TC ELECTRONIC A/S		
PCB NAME: WIZARD II, PC13001-4		
Title "DBMAX MAIN BOARD"		
CONNECTION TO FRONT PCB		
Size	Document Number	REV
B	WX2FNT47.SCH	4.7
Date:	June 9, 1999	Sheet 7 of 14

ALL VOLTAGES ARE MEASURED WITH DGND AS REFERENCE.

SHEET 5.



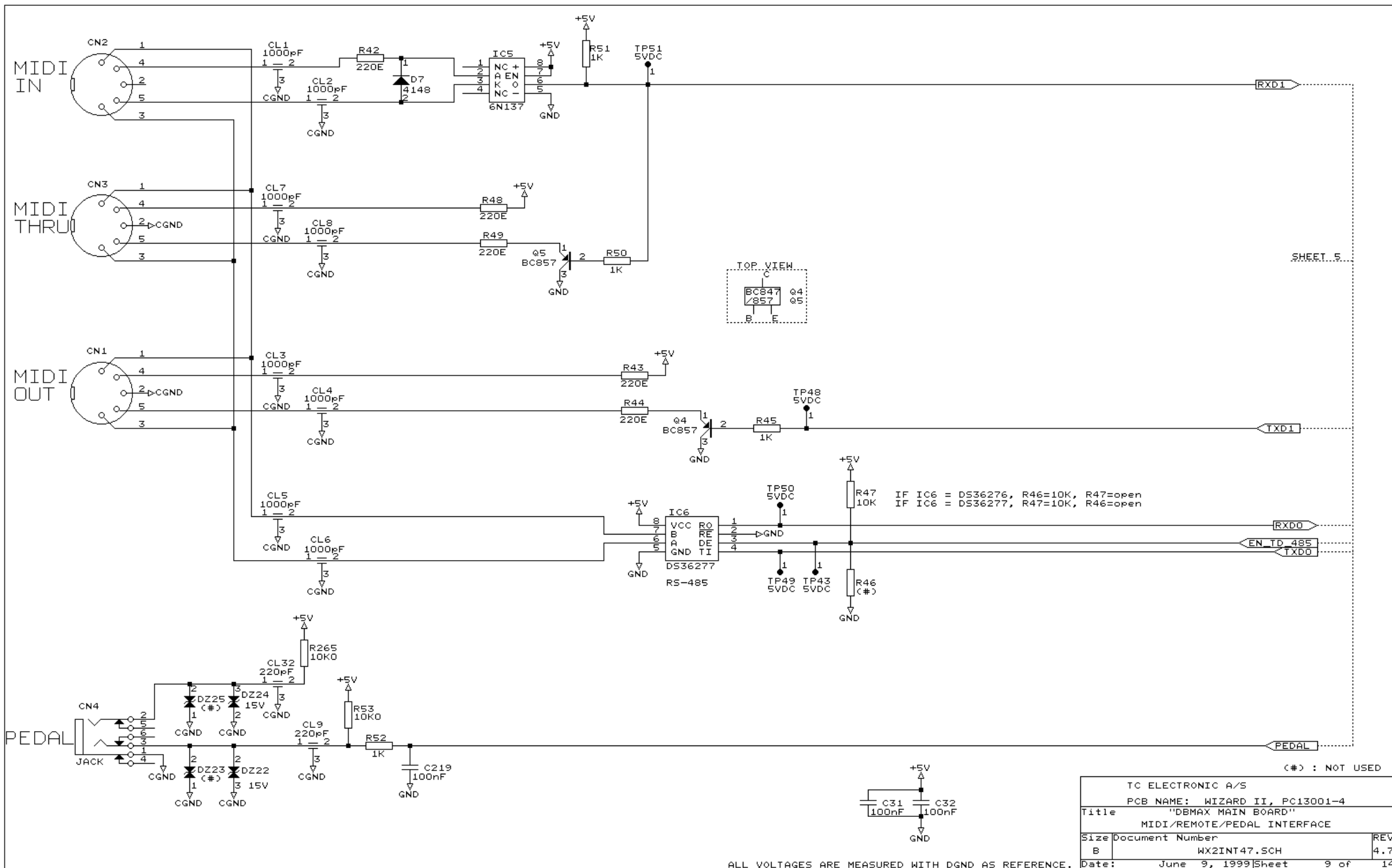
PCMCIA CONNECTOR



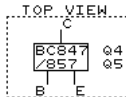
TC ELECTRONIC A/S		
PCB NAME: WIZARD II, PC13001-4		
Title 'DBMAX MAIN BOARD' PCMCIA CONNECTOR		
Size	Document Number	REV
B	WX2JEI47.SCH	4.7
Date:	June 9, 1999	Sheet 8 of 14

ALL VOLTAGES ARE MEASURED WITH DGND AS REFERENCE.





SHEET...5...

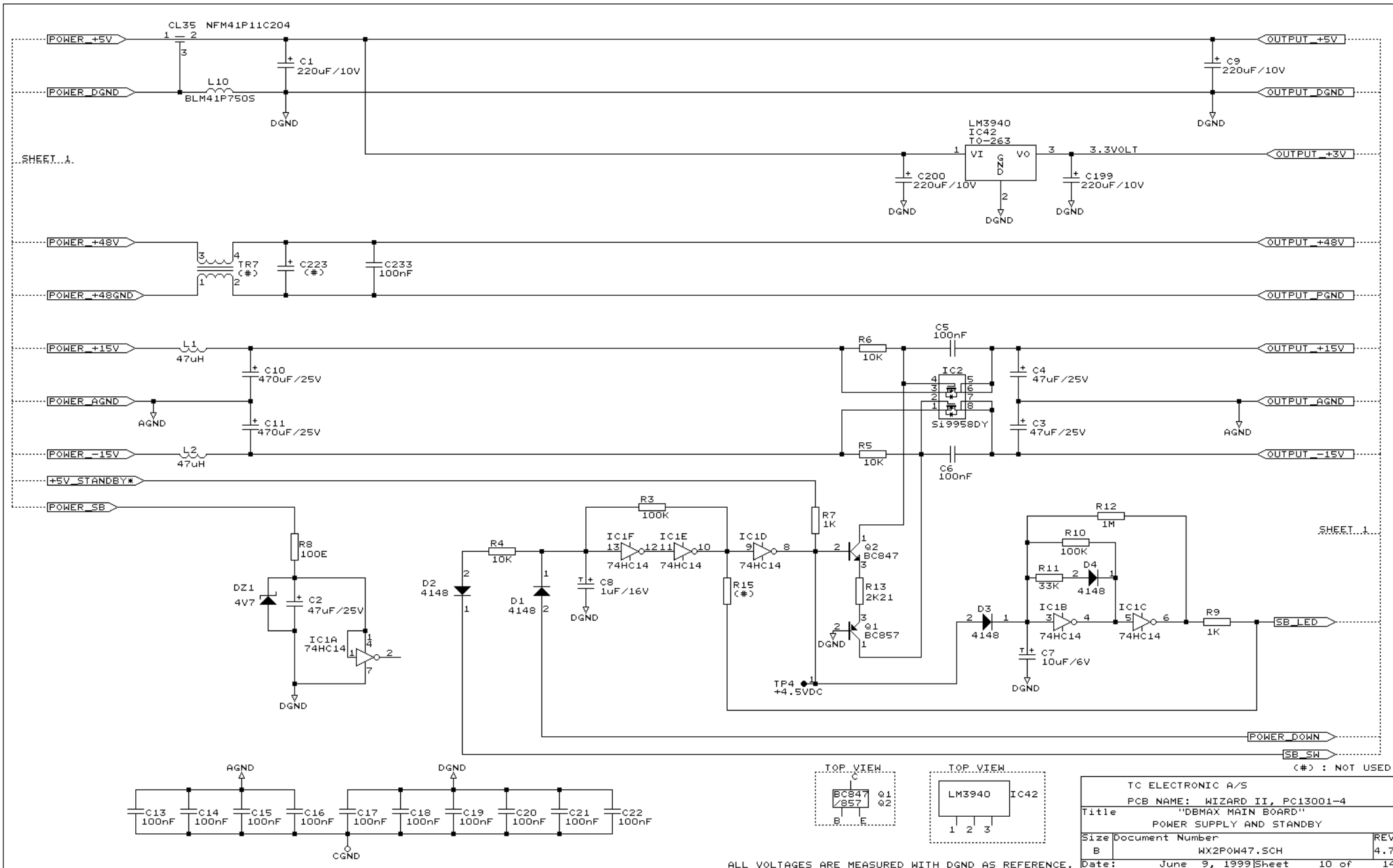


IF IC6 = D536276, R46=10K, R47=open  
 IF IC6 = D536277, R47=10K, R46=open

(#) : NOT USED

TC ELECTRONIC A/S		
PCB NAME: WIZARD II, PC13001-4		
Title "DBMAX MAIN BOARD"		
MIDI/REMOTE/PEDAL INTERFACE		
Size	Document Number	REV
B	HX2INT47.SCH	4.7
Date:	June 9, 1999	Sheet 9 of 14

ALL VOLTAGES ARE MEASURED WITH DGND AS REFERENCE.

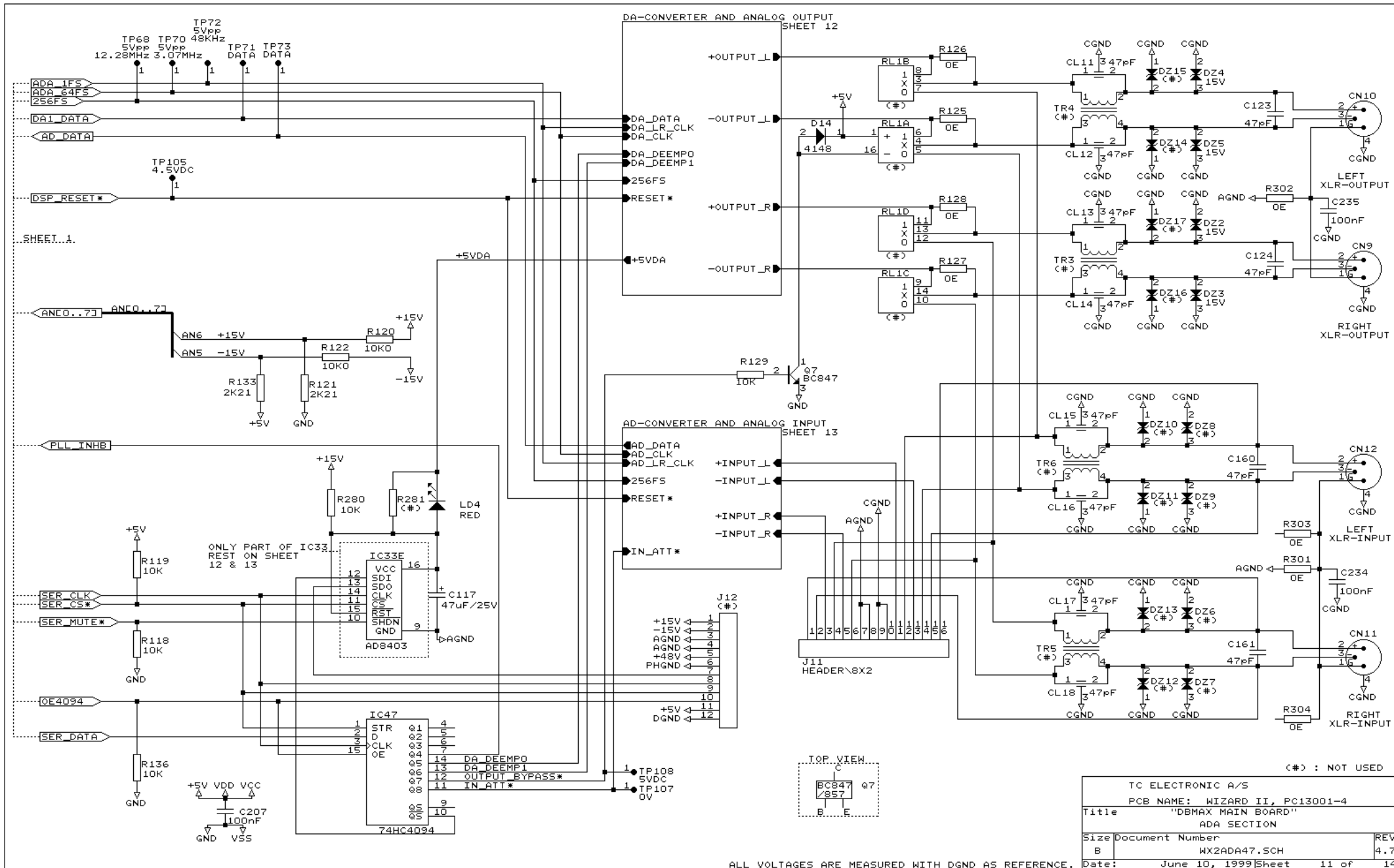


SHEET 1.

SHEET 1.

(#) : NOT USED

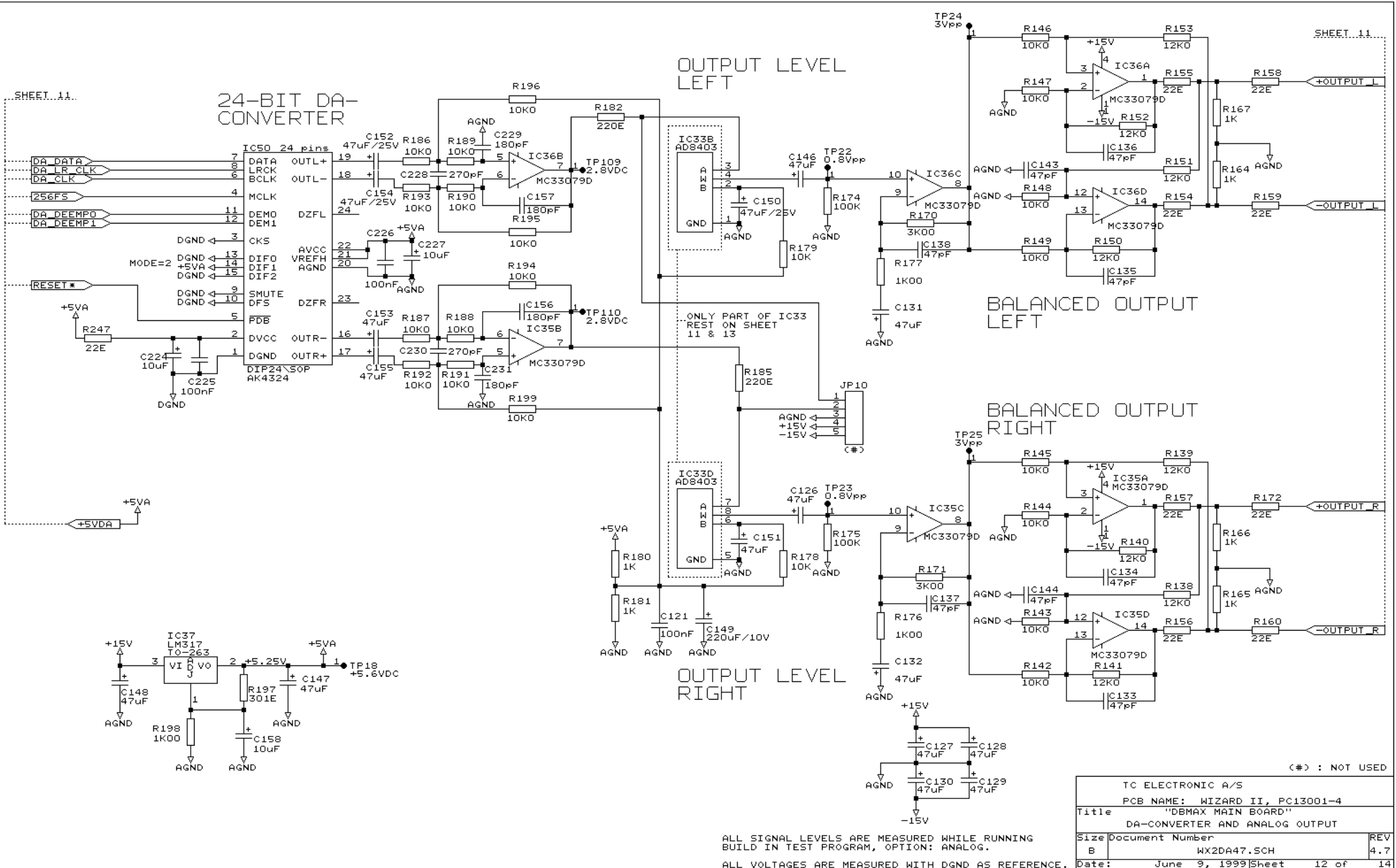
ALL VOLTAGES ARE MEASURED WITH DGND AS REFERENCE.



( # ) : NOT USED

TC ELECTRONIC A/S		
PCB NAME: WIZARD II, PC13001-4		
Title "DBMAX MAIN BOARD" ADA SECTION		
Size	Document Number	REV
B	WX2ADA47.SCH	4.7
Date:	June 10, 1999	Sheet 11 of 14

ALL VOLTAGES ARE MEASURED WITH DGND AS REFERENCE.



SHEET 11.

SHEET 11.

24-BIT DA-CONVERTER

OUTPUT LEVEL LEFT

BALANCED OUTPUT LEFT

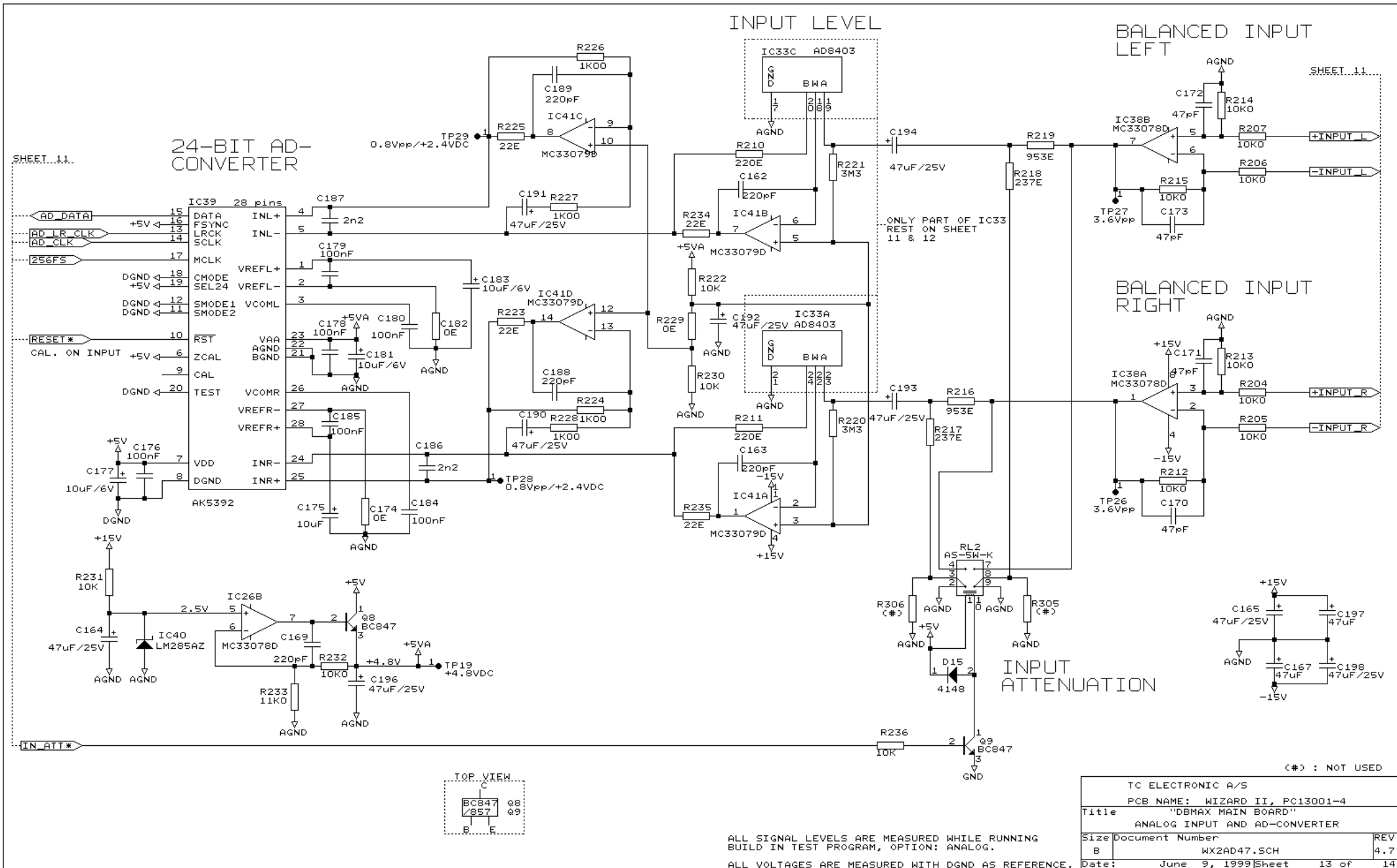
BALANCED OUTPUT RIGHT

OUTPUT LEVEL RIGHT

(#) : NOT USED

TC ELECTRONIC A/S		
PCB NAME: WIZARD II, PC13001-4		
Title "DBMAX MAIN BOARD"		
DA-CONVERTER AND ANALOG OUTPUT		
Size	Document Number	REV
B	HX2DA47.SCH	4.7
Date:	June 9, 1999	Sheet 12 of 14

ALL SIGNAL LEVELS ARE MEASURED WHILE RUNNING BUILD IN TEST PROGRAM, OPTION: ANALOG.  
ALL VOLTAGES ARE MEASURED WITH DGND AS REFERENCE.

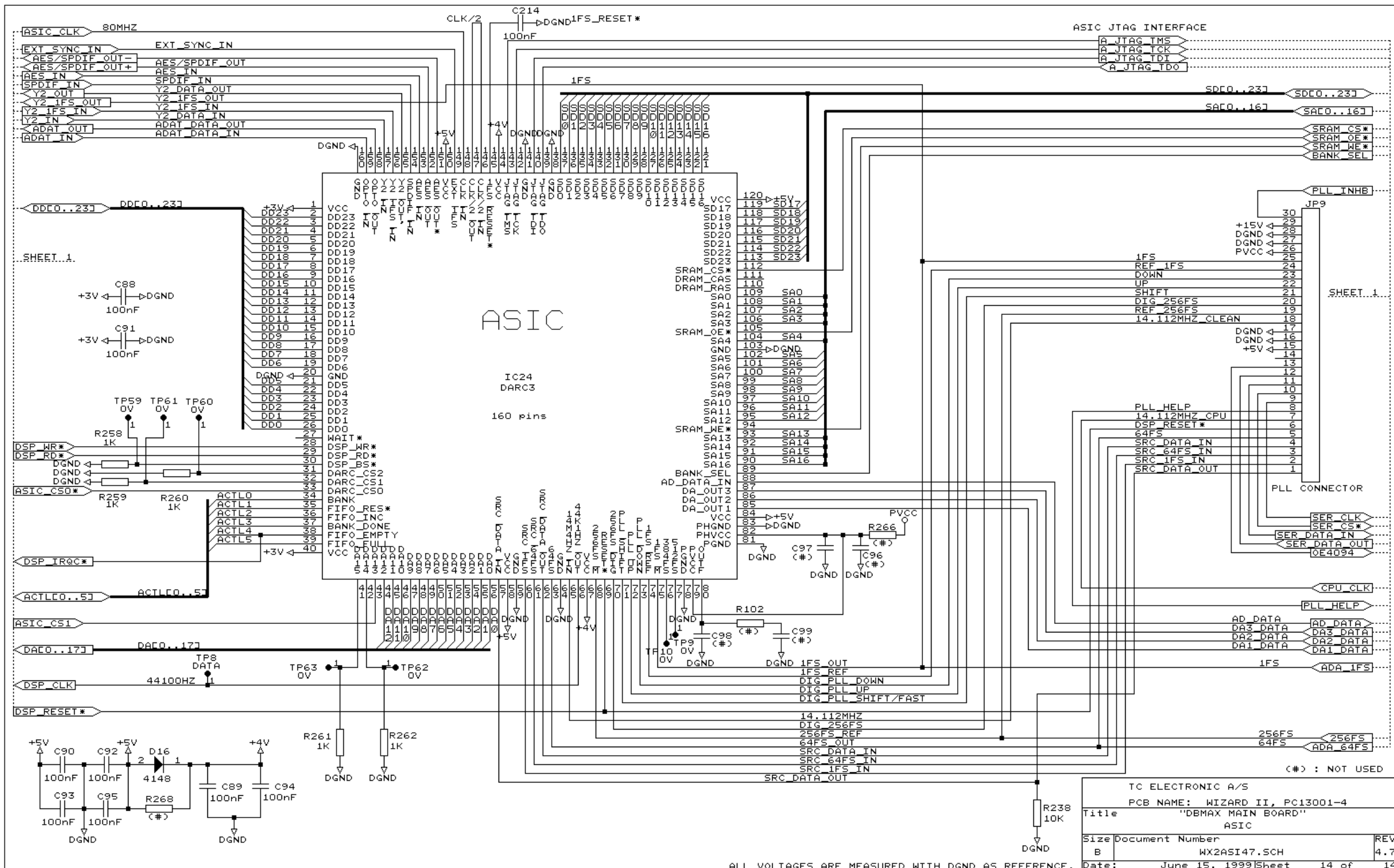


SHEET...11.

SHEET...11.

ONLY PART OF IC33  
REST ON SHEET  
11 & 12

(#) : NOT USED



TC ELECTRONIC A/S		
PCB NAME: WIZARD II, PC13001-4		
Title "DBMAX MAIN BOARD" ASIC		
Size B	Document Number WX2ASI47.SCH	REV 4.7
Date:	June 15, 1999	Sheet 14 of 14