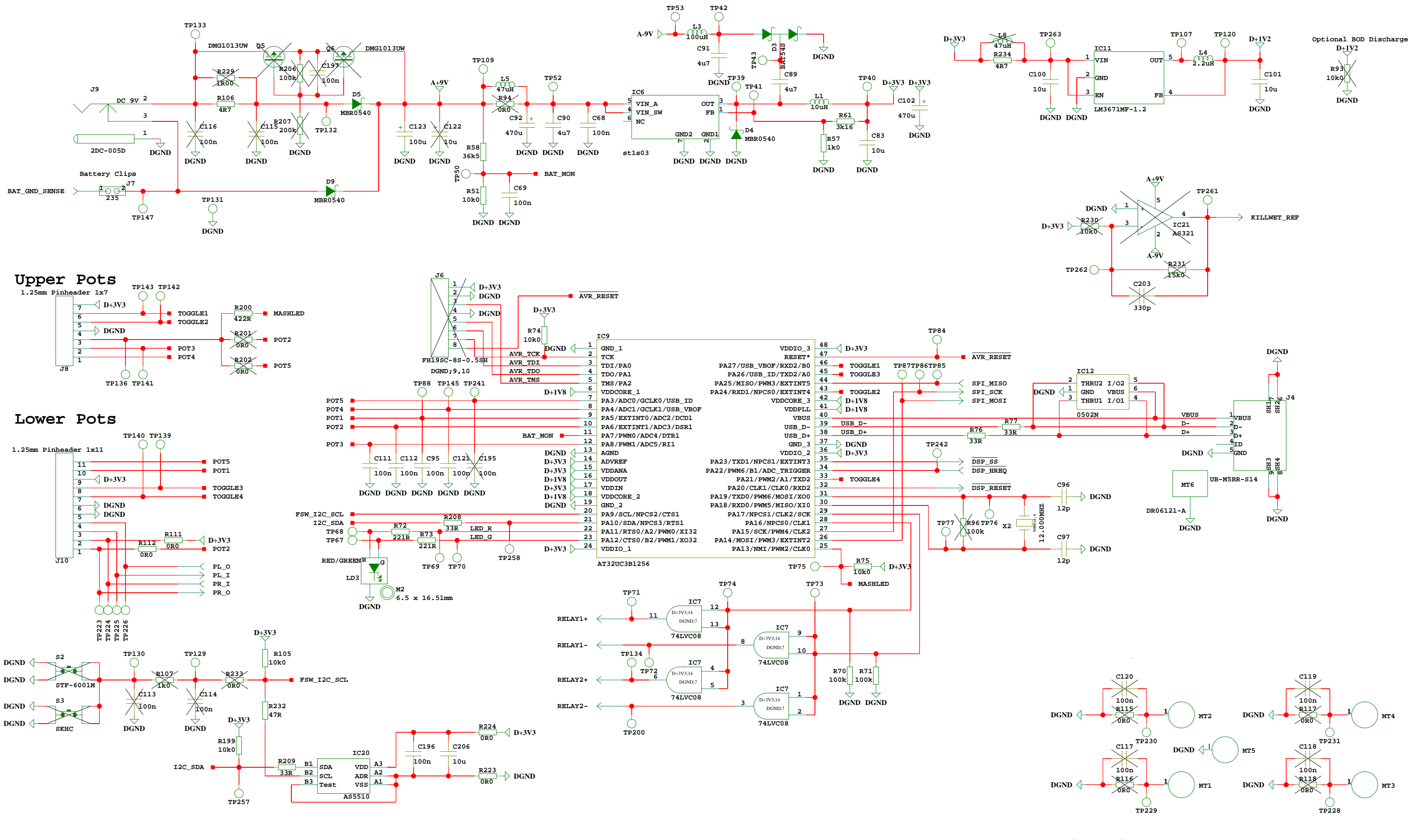
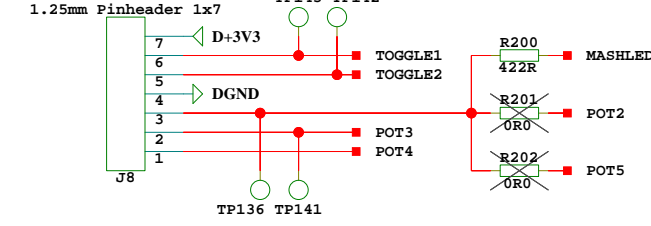


M1
 P22387-B
 pcb

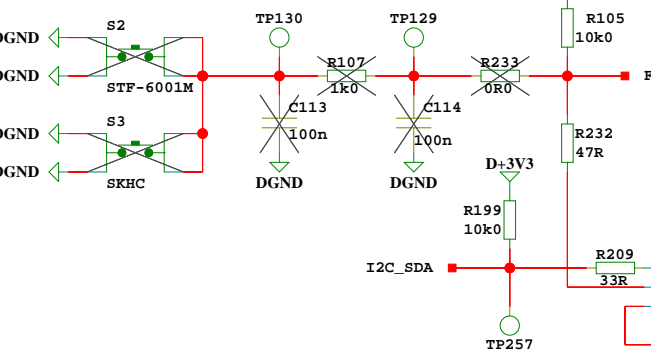
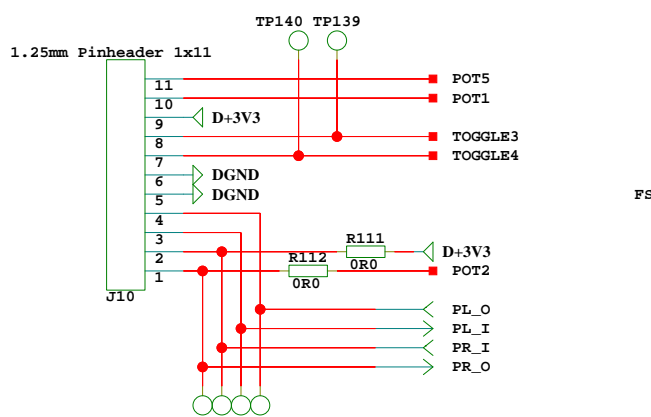
TC Electronic				Designer(s) HJE/PRO/SOMIK
Title 1413-MCFLY				Module title MODULE TITLE
Number P22387	Revision B	Variant A	Version D	Board type MAINBOARD
Date 16/03/2017:09:26	Filename			Page / of 1 / 5



Upper Pots

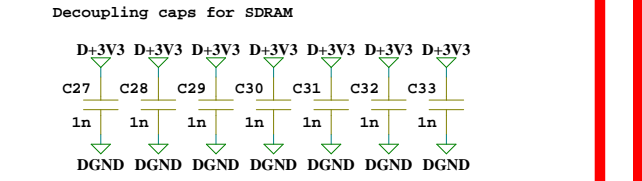
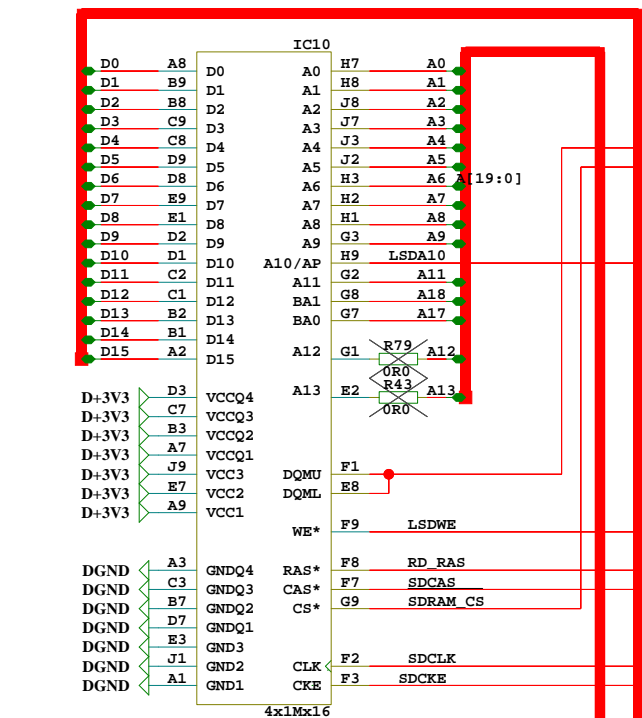
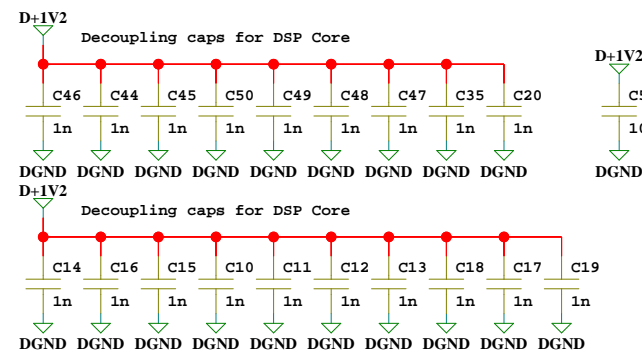


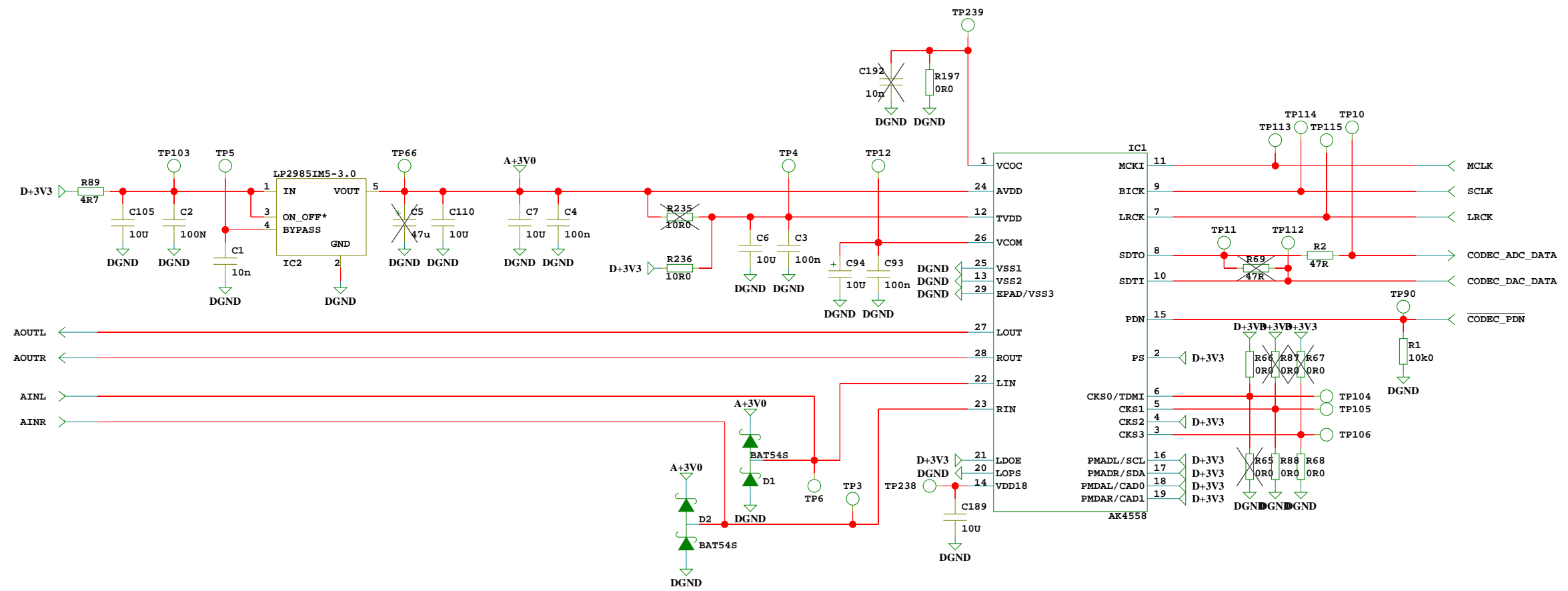
Lower Pots



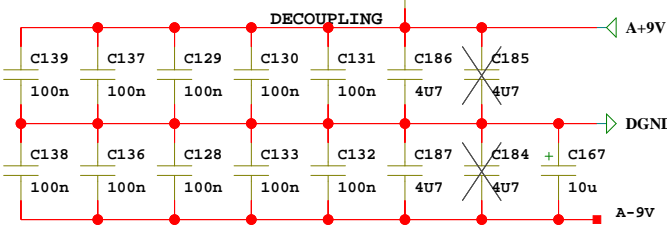
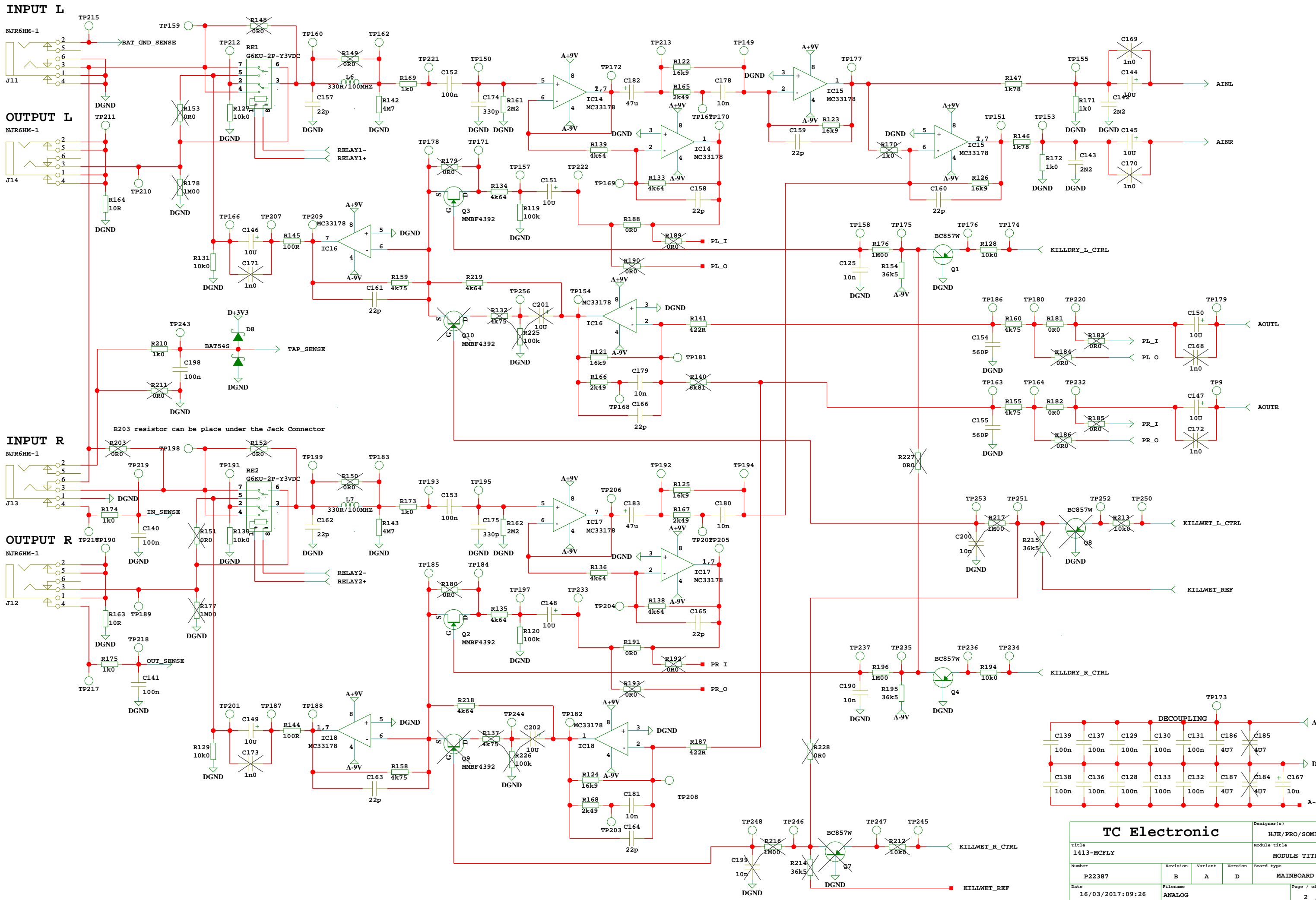
Optional BOD Discharge		KILLWET_REF GRAMP		VDDOUT		VDDCORE_1		VDDCORE_2		VDDCORE_3		VDDIO_1		VDDIO_2		VDDIO_3		VDDANA		RELAY DRIVE		D+1V8	
C205	C204	C78	C82	C72	C59	C73	C60	C74	C61	C75	C62	C64	C76	C81	C77	C63	C80	C65	C79	C66	C188	R53	D+1V8
100n	100n	1n0	10u	1n0	100n	1n0	100n	1n0	100n	1n0	100n	100n	1n0	10u	1n0	100n	1n0	100n	1n0	100n	100n	10k0	TP63

TC Electronic				Designer(s) HJE/PRO/SOMIK	
Title 1413-MCFLY				Module title MODULE TITLE	
Number P22387		Revision B	Variant A	Version D	Board type MAINBOARD
Date 16/03/2017:09:27	Filename uc_and_connects			Page / of 5 / 5	





TC Electronic				Designer(s) HJE/PRO/SOMIK	
Title 1413-MCFLY				Module title MODULE TITLE	
Number P22387	Revision B	Variant A	Version D	Board type MAINBOARD	
Date 16/03/2017:09:26	Filename codec			Page / of 3 / 5	



TC Electronic				Designer(s)	HJE/PRO/SOMIK
Title				Module title	
1413-MCFLY				MODULE TITLE	
Number	Revision	Variant	Version	Board type	
P22387	B	A	D	MAINBOARD	
Date	Filename				Page / of
16/03/2017:09:26	ANALOG				2 / 5