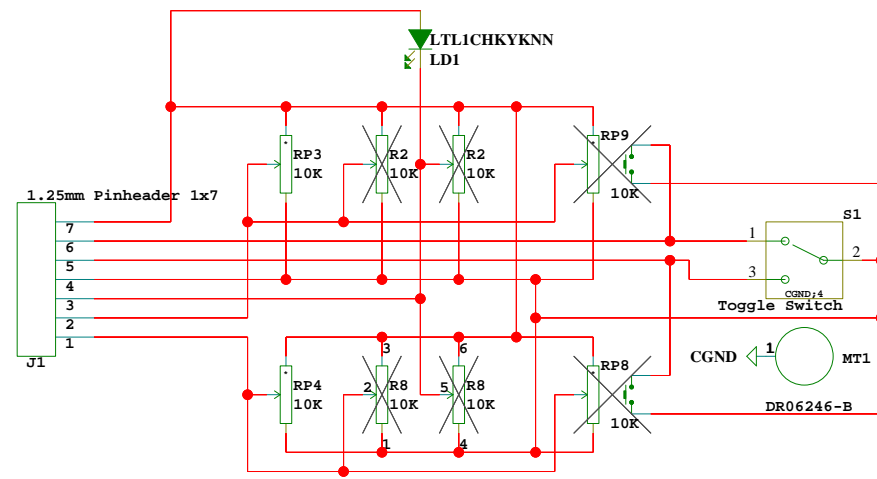
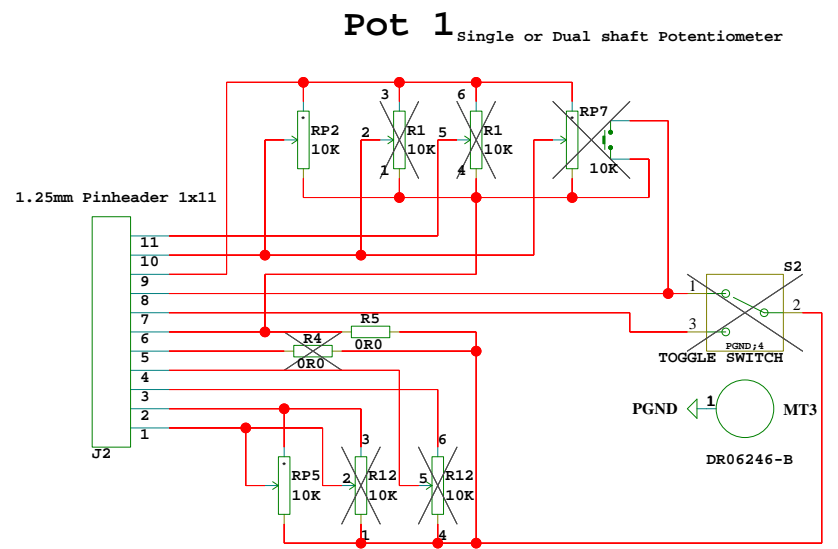


Pot 3 Single or Dual shaft Potentiometer

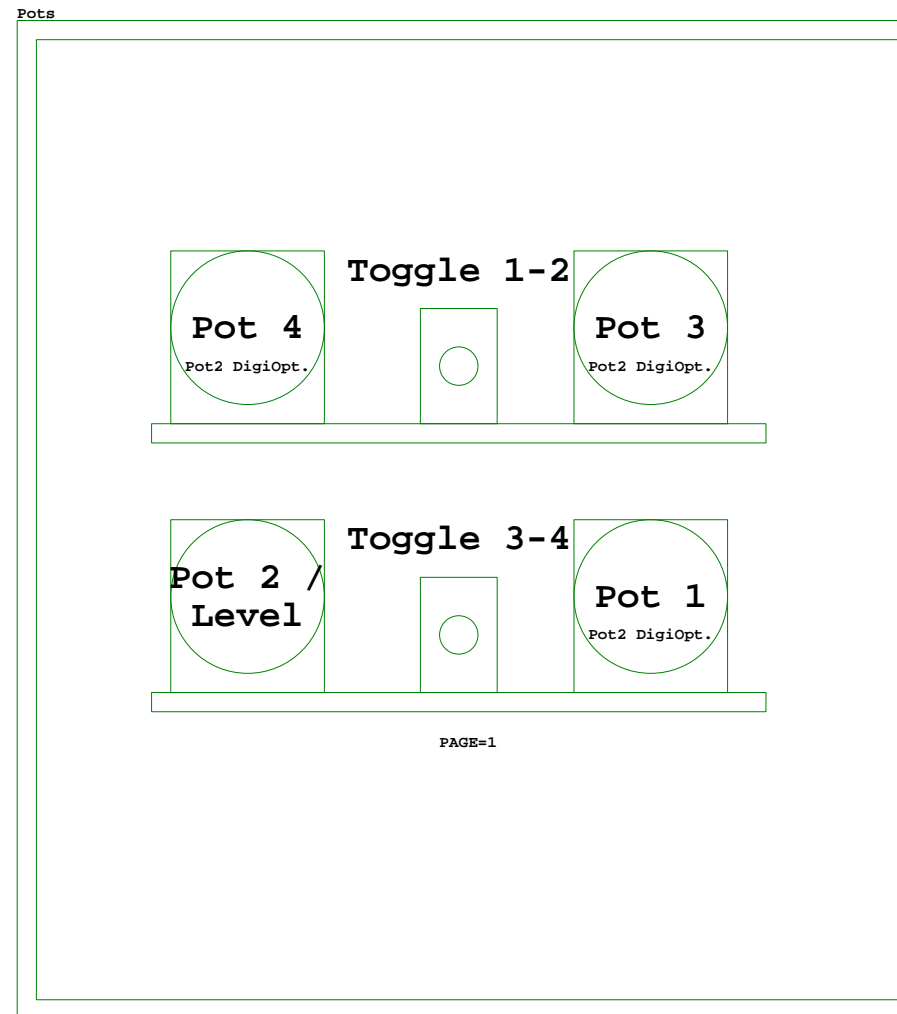


Pot 4 Single or Dual shaft Potentiometer



Pot 2 Single Deck or Stereo Level Potentiometer

TC Electronic				Designer(s) HJE/PRO/SOMIK
Title 1413 - MCFLY UI BOARD				Module title MODULE TITLE
Number P22392	Revision A	Variant A	Version A	Board type POTENTIOMETERBOARD
Date 26/05/2016:14:54	Filename Pots			Page / of 2 / 2



M1
P22392-A
PCB

TC Electronic			Designer(s) HJE/PRO/SOMIK
Title 1413 - MCFLY UI BOARD			Module title MODULE TITLE
Number P22392	Revision A	Variant A	Version A
Date 26/05/2016:14:54	Filename P22390-D	Board type POTENTIOMETERBOARD	
			Page / of 1 / 2