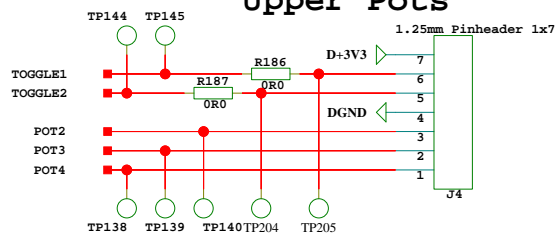


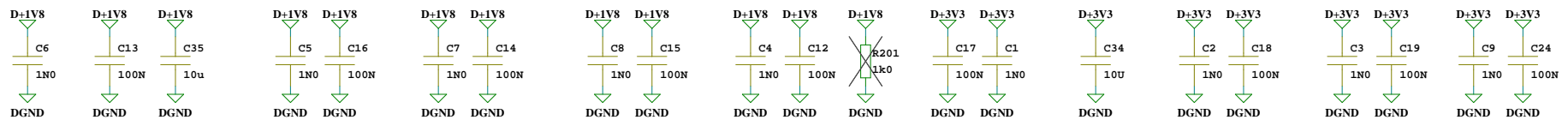
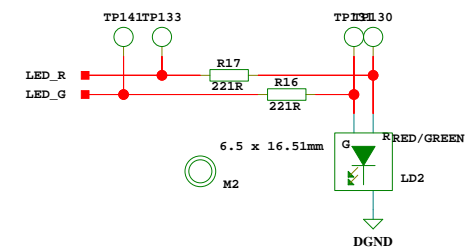
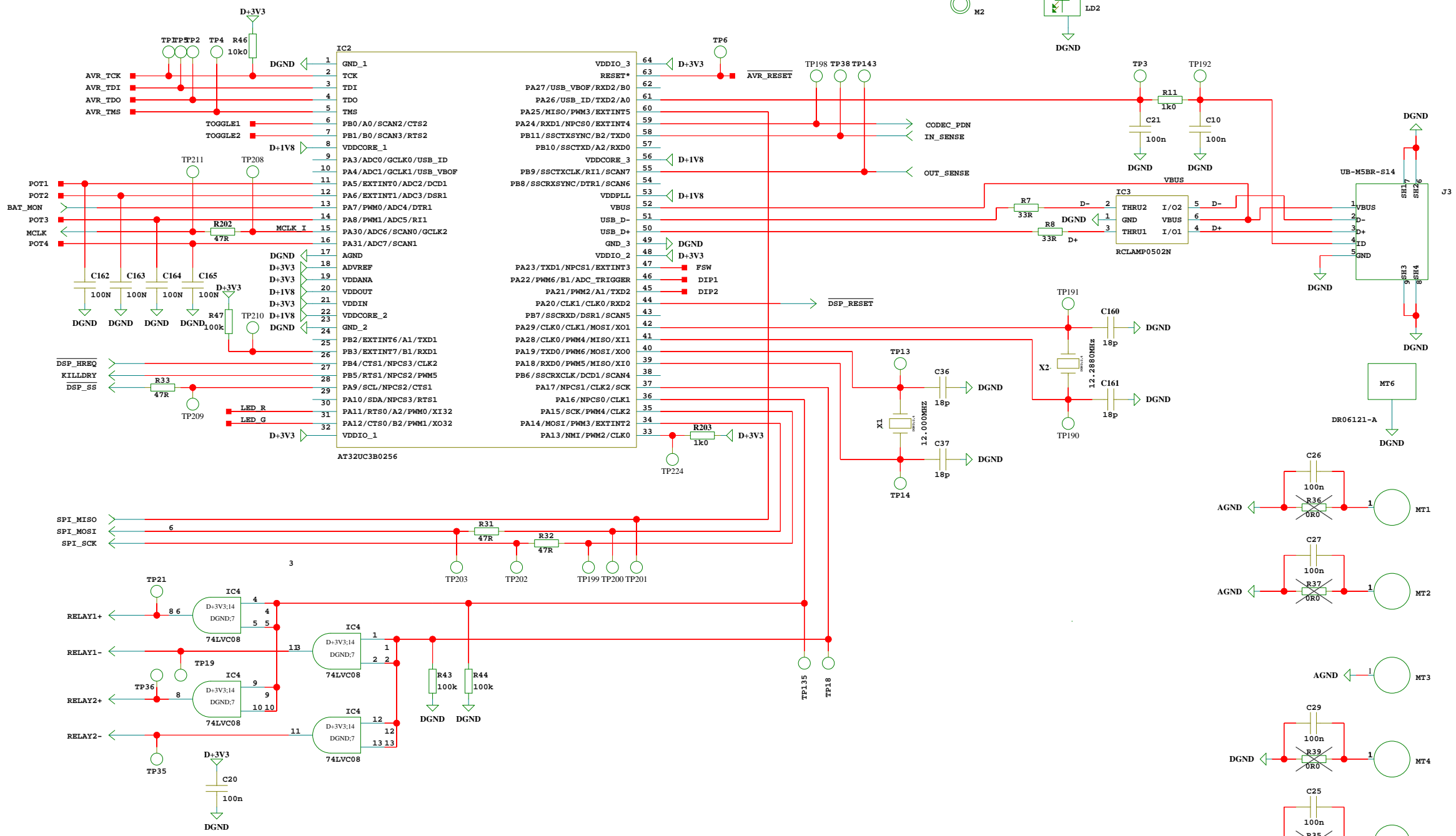
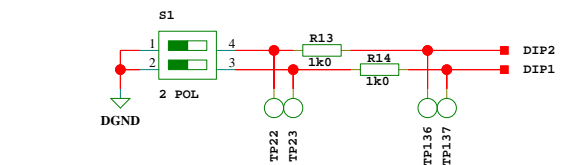
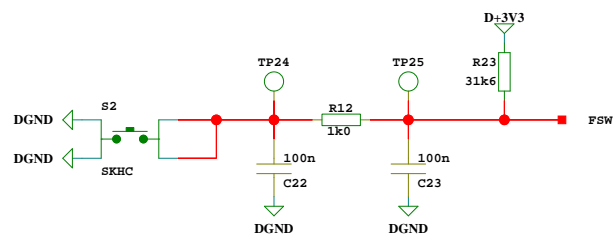
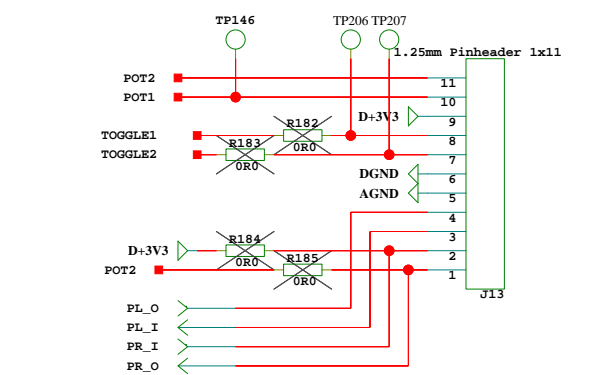
M1
P22381-D
PCB

		Designer(s) HJE/PRO		
Title FLASHBACK (1096-ERIK)		Module title MODULE TITLE		
Number P22381	Revision D	Variant A	Version A	Board type MAINBOARD
Date 13/09/2013:09:00	Filename P22381-D	Page / of 1 / 5		

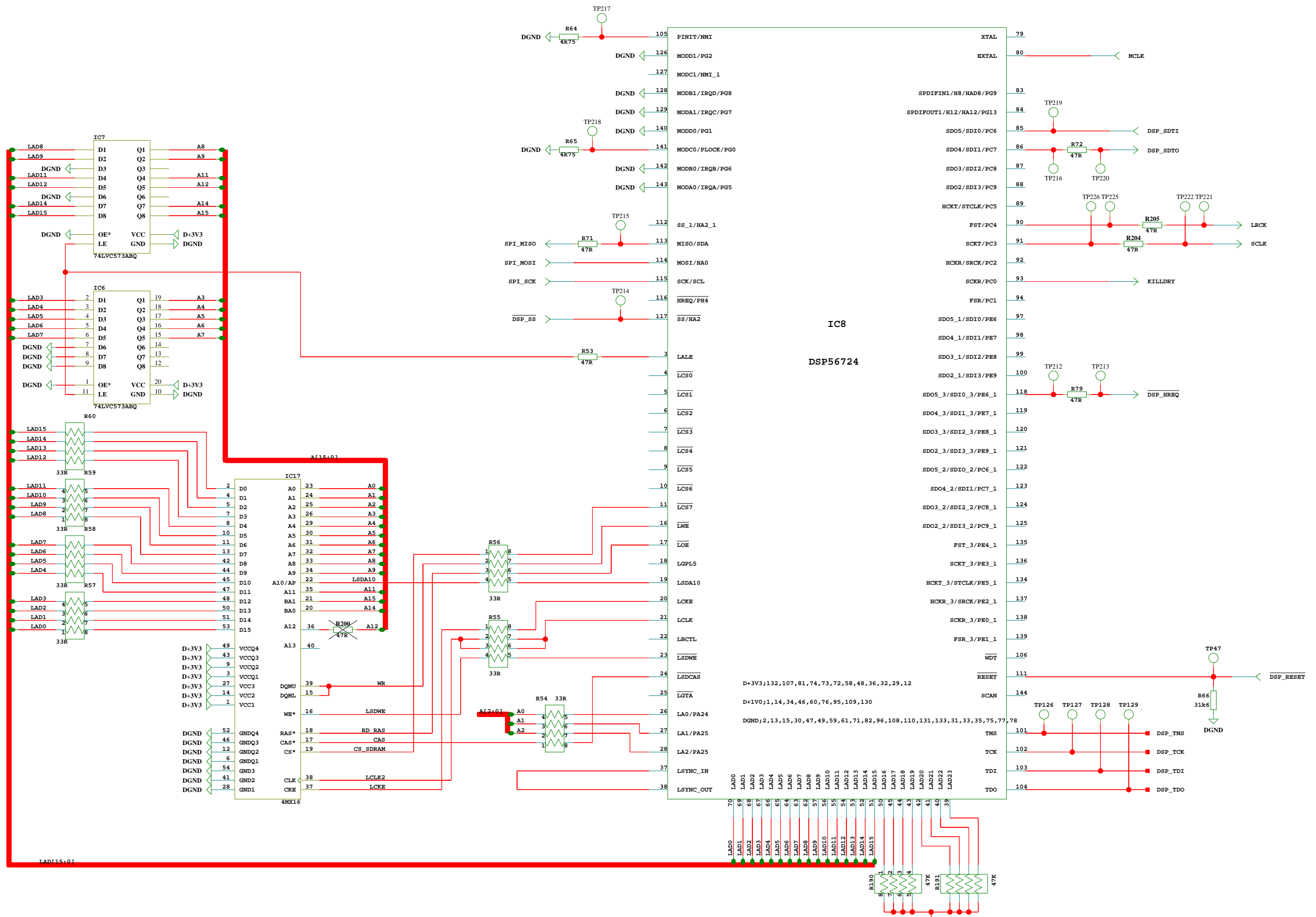
Upper Pots



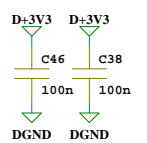
Lower Pots



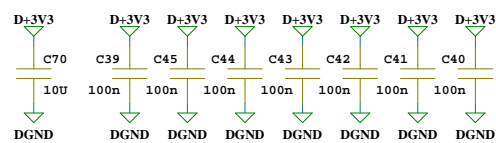
				Designer(s) HJE/PRO	
Title FLASHBACK (1096-ERIK)				Module title MODULE TITLE	
Number F22381	Revision D	Variant A	Version A	Board type MAINBOARD	
Date 13/09/2013:09:00	Filename uc_and_connects			Page / of 2 / 5	



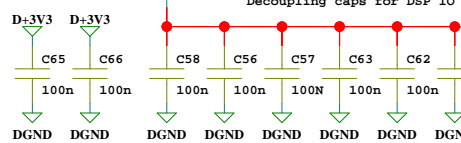
Decoupling caps for Latch



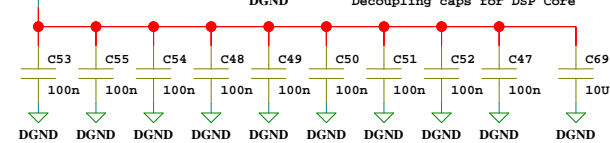
Decoupling caps for SDRAM



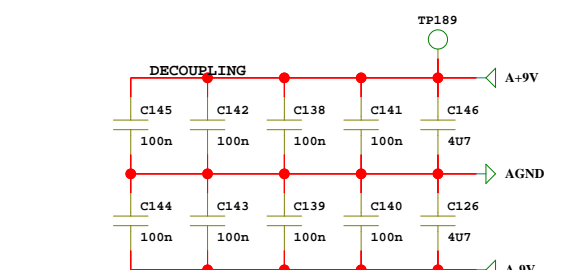
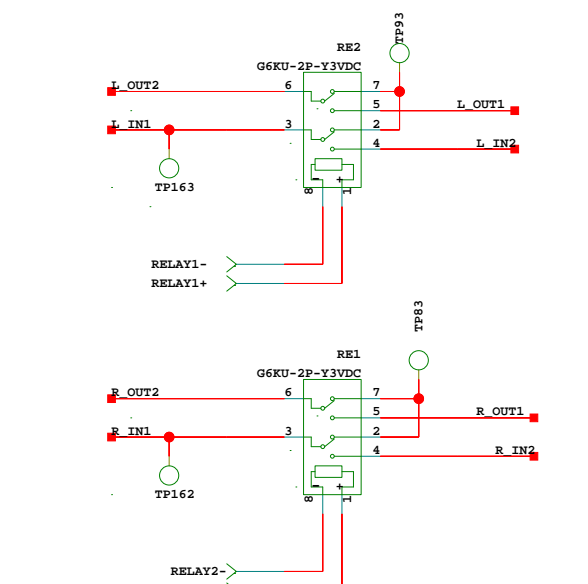
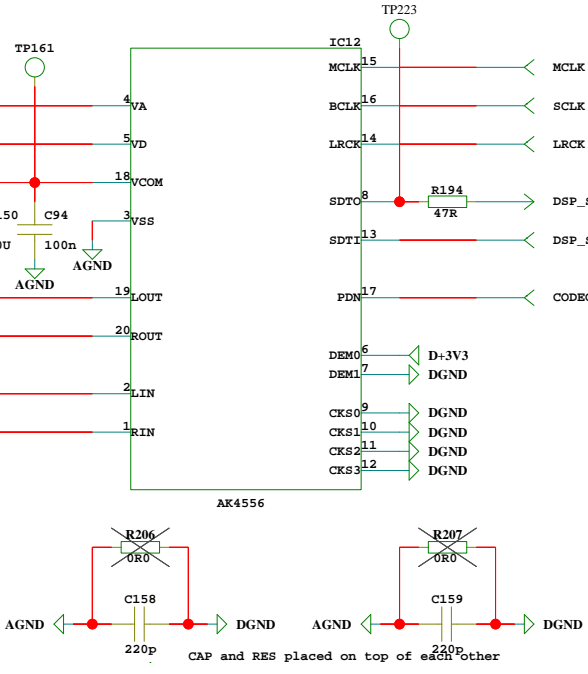
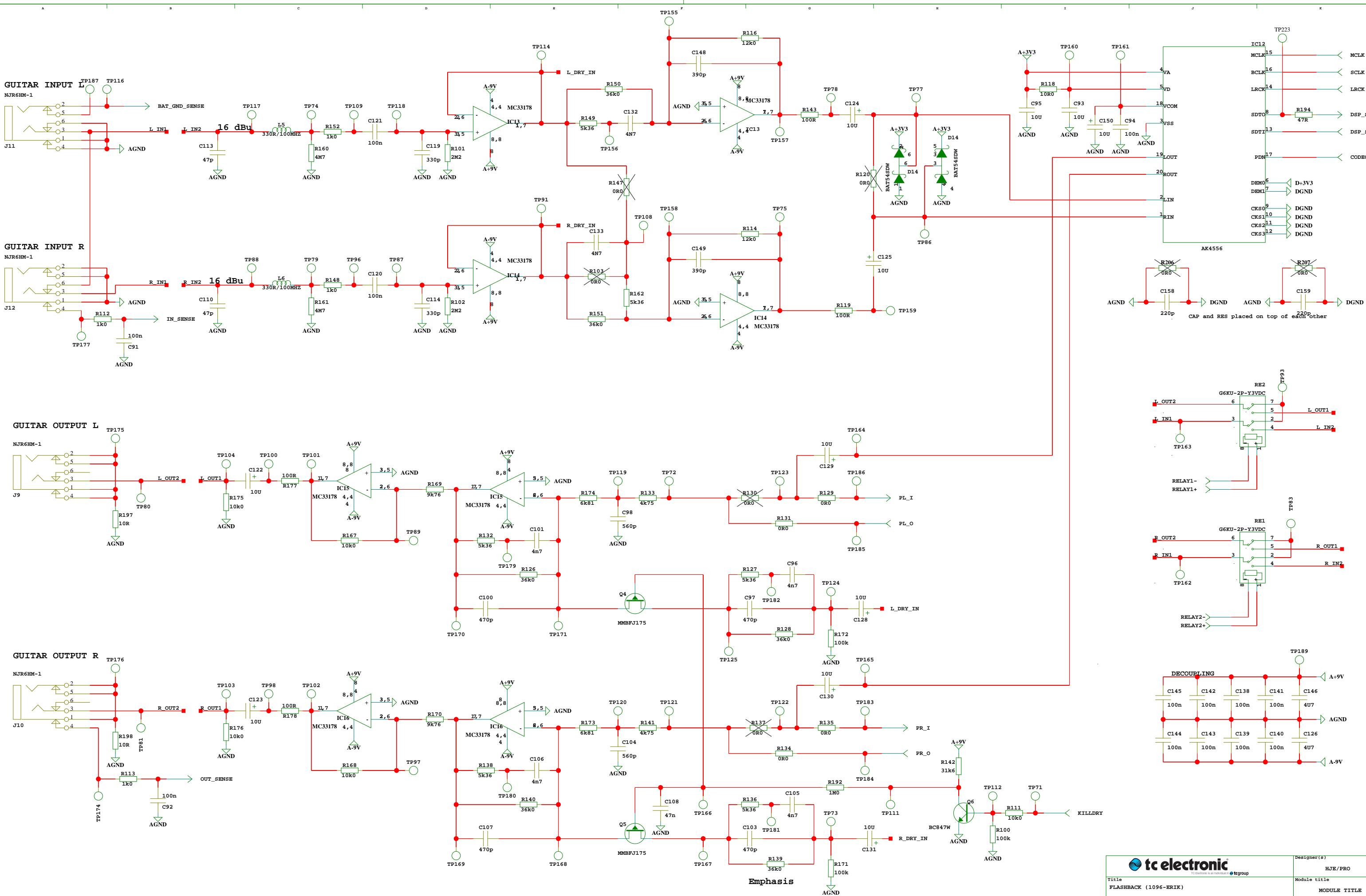
Decoupling caps for DSP IO



Decoupling caps for DSP Core



tc electronic <small>TC Electronic is a member of the kgroup</small>				Designer(s) HJE/PRO
Title FLASHBACK (1096-ERIK)				Module title MODULE TITLE
Number P22381	Revision D	Variant A	Version A	Board type MAINBOARD
Date 13/09/2013:09:00	Filename dsp724	Page / of 3 / 5		



Emphasis

				Designer(s)	HJE/PRO
Title FLASHBACK (1096-ERIK)				Module title MODULE TITLE	
Number P22381	Revision D	Variant A	Version A	Board type MAINBOARD	
Date 13/09/2013:09:00	Filename analog			Page / of 4 / 5	

