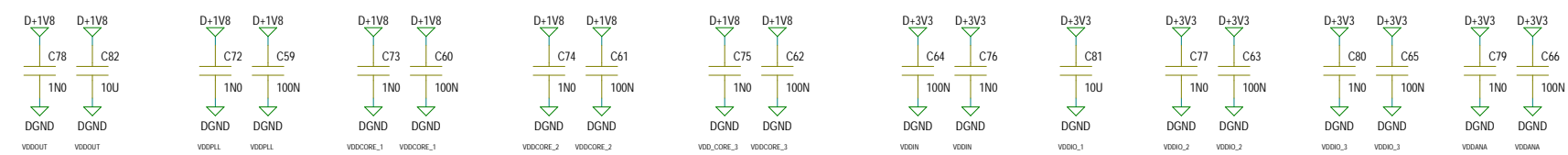
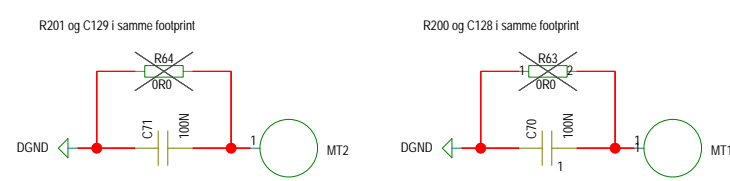
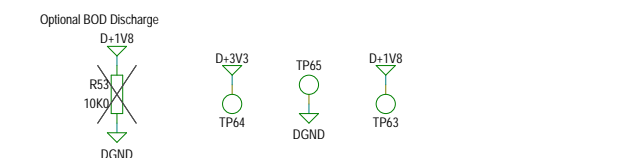
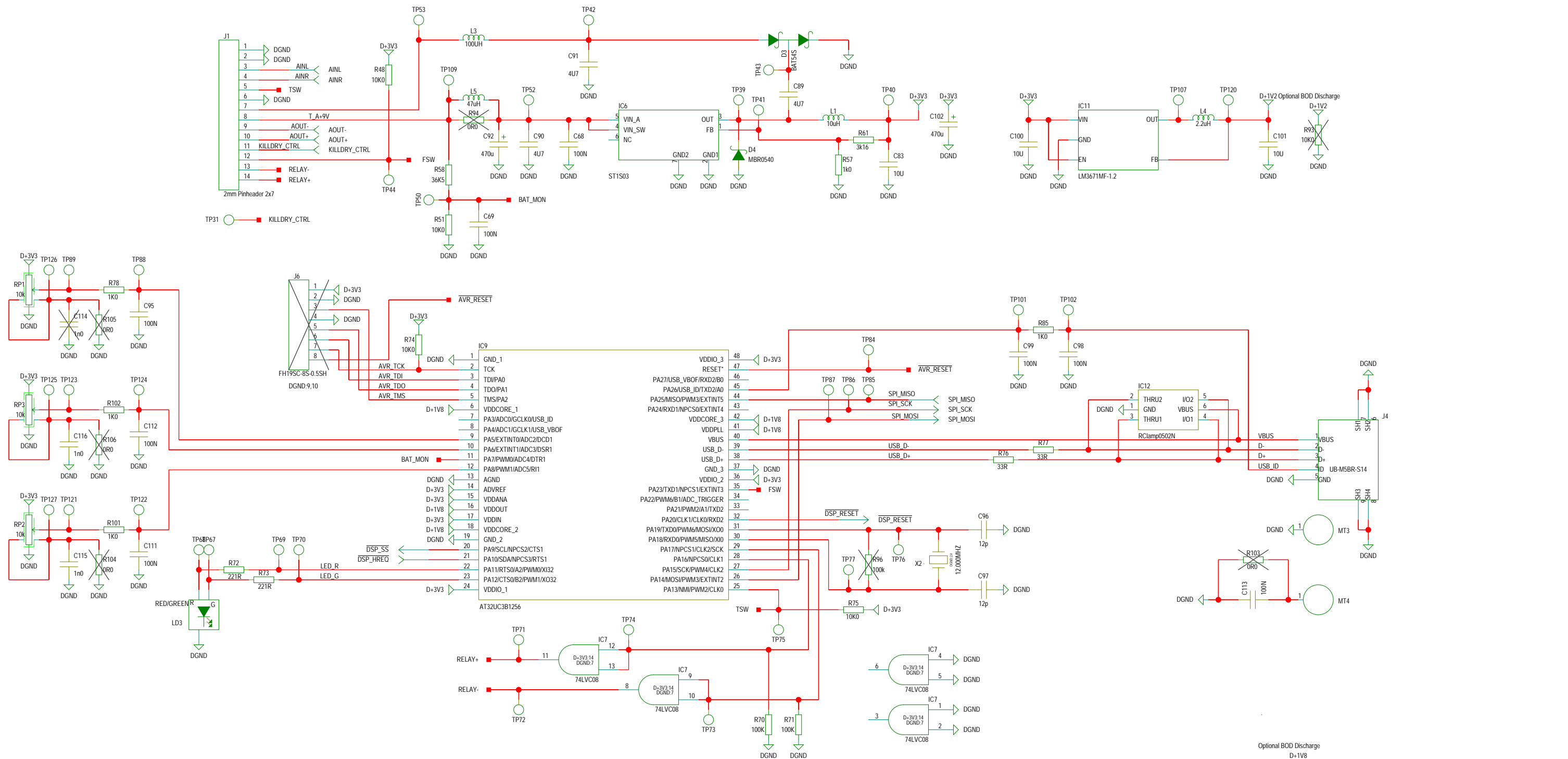
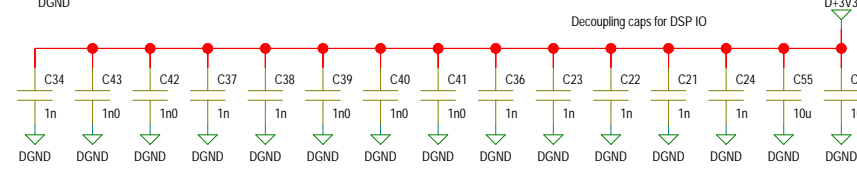
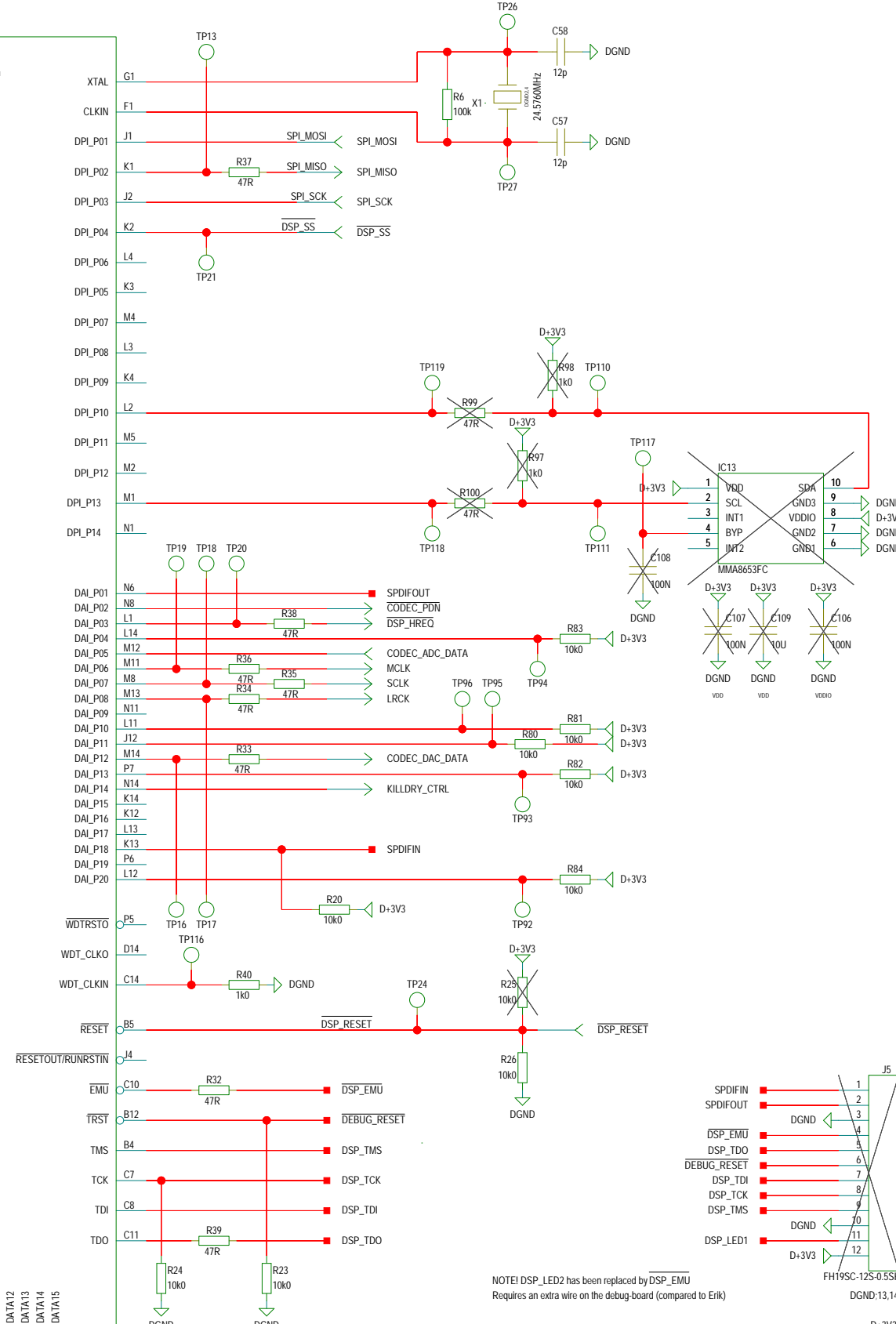
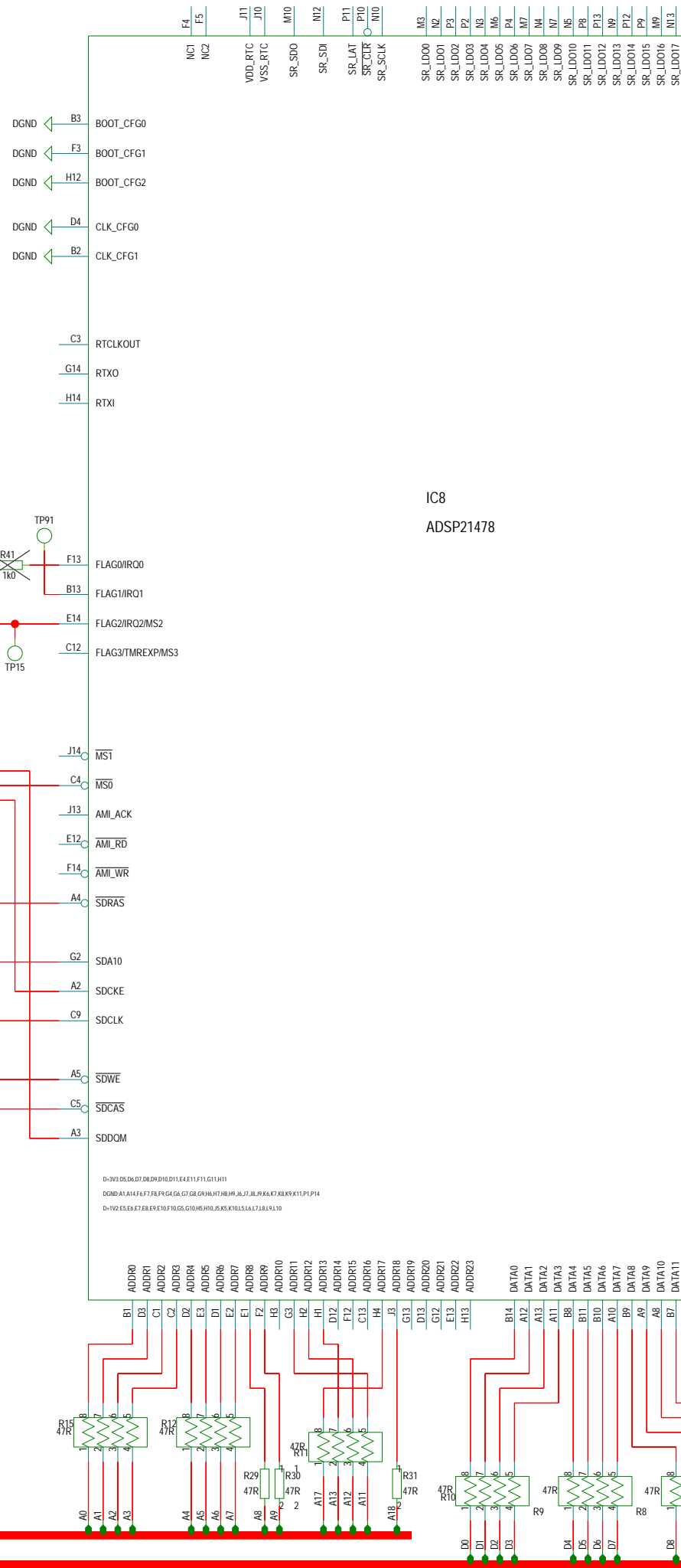
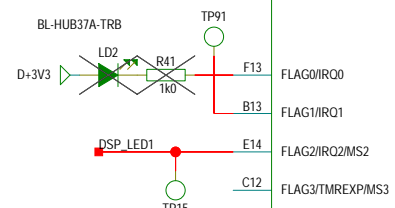
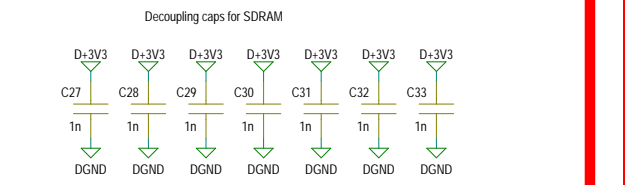
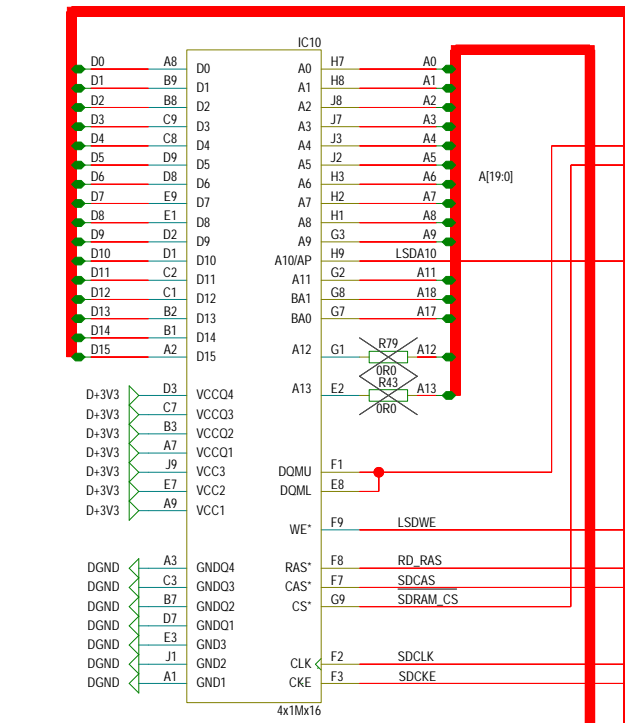
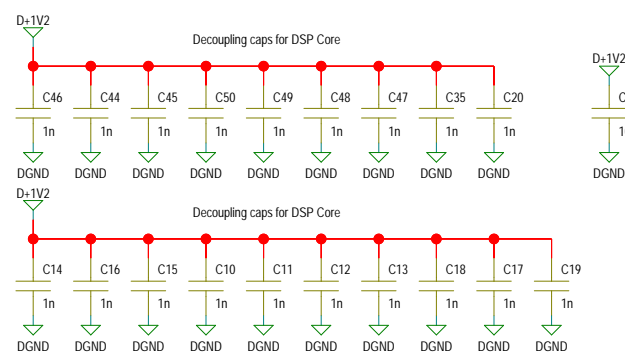


M1
P22594-B
pcb

				Designer(s)	HJE/PRO
Title 1255-TRIPOD				Module title	MODULE TITLE
Number P22594	Revision B	Variant A	Version B	Board type	UI BOARD
Date 13/01/2014:09:33	Filename			Page / of	1 / 4



				(Designer(s)) HJE/PRO	
Title 1255-TRIPOD		Revision B		Module title MODULE TITLE	
Number P22594		Variant A		Board type UI BOARD	
Date 13/01/2014:09:33		Version B		Page / of 2 / 4	
uc_and_connects					



NOTE! DSP_LED2 has been replaced by DSP_EMU
Requires an extra wire on the debug-board (compared to Erik)

		Designer(s) HJE/PRO	
Title 1255-TRIPOD		Module title MODULE TITLE	
Number P22594	Revision B	Variant A	Version B
Board type UI BOARD		Page / of 3 / 4	
Date 13/01/2014:09:33	Filename dsp		

