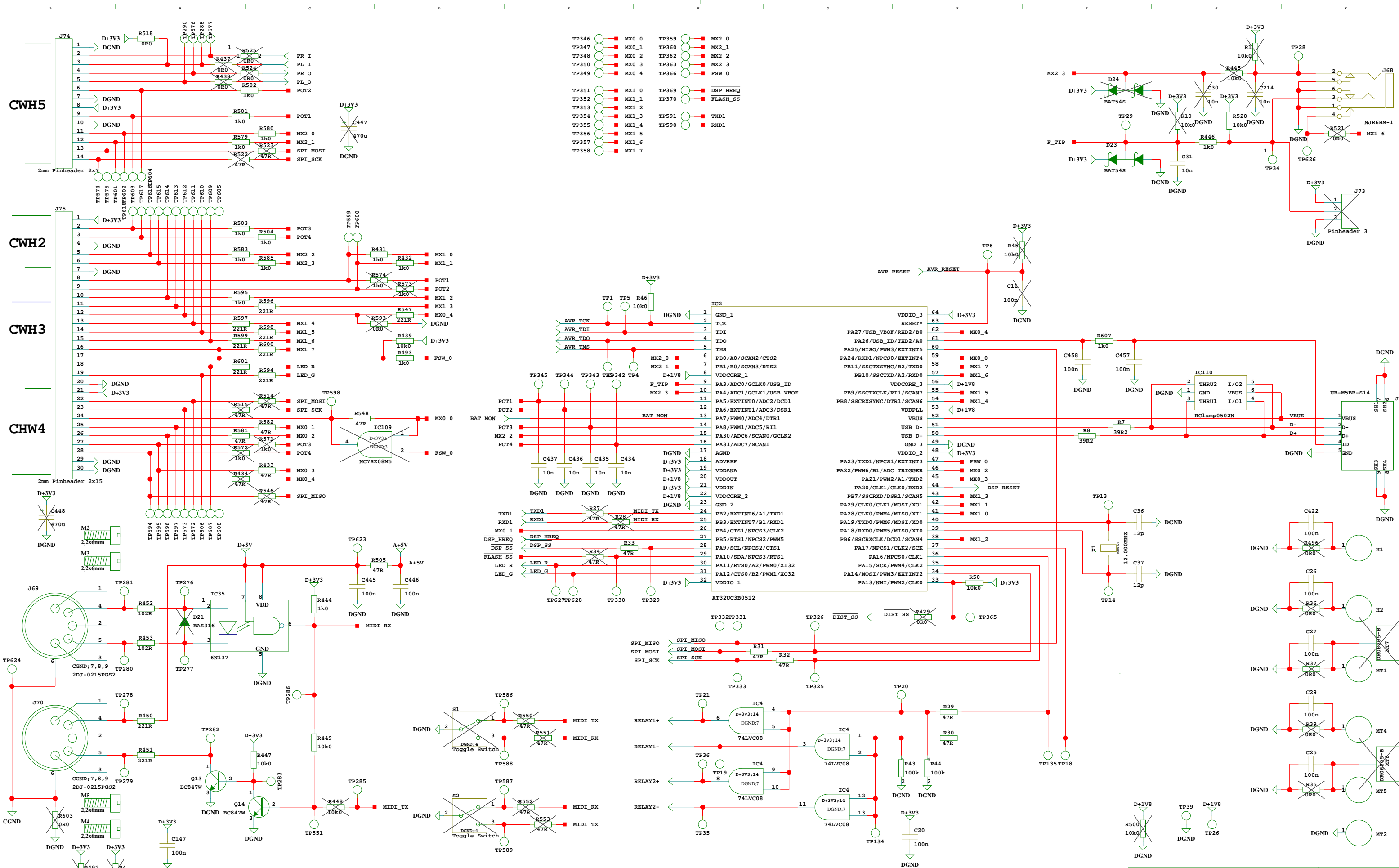
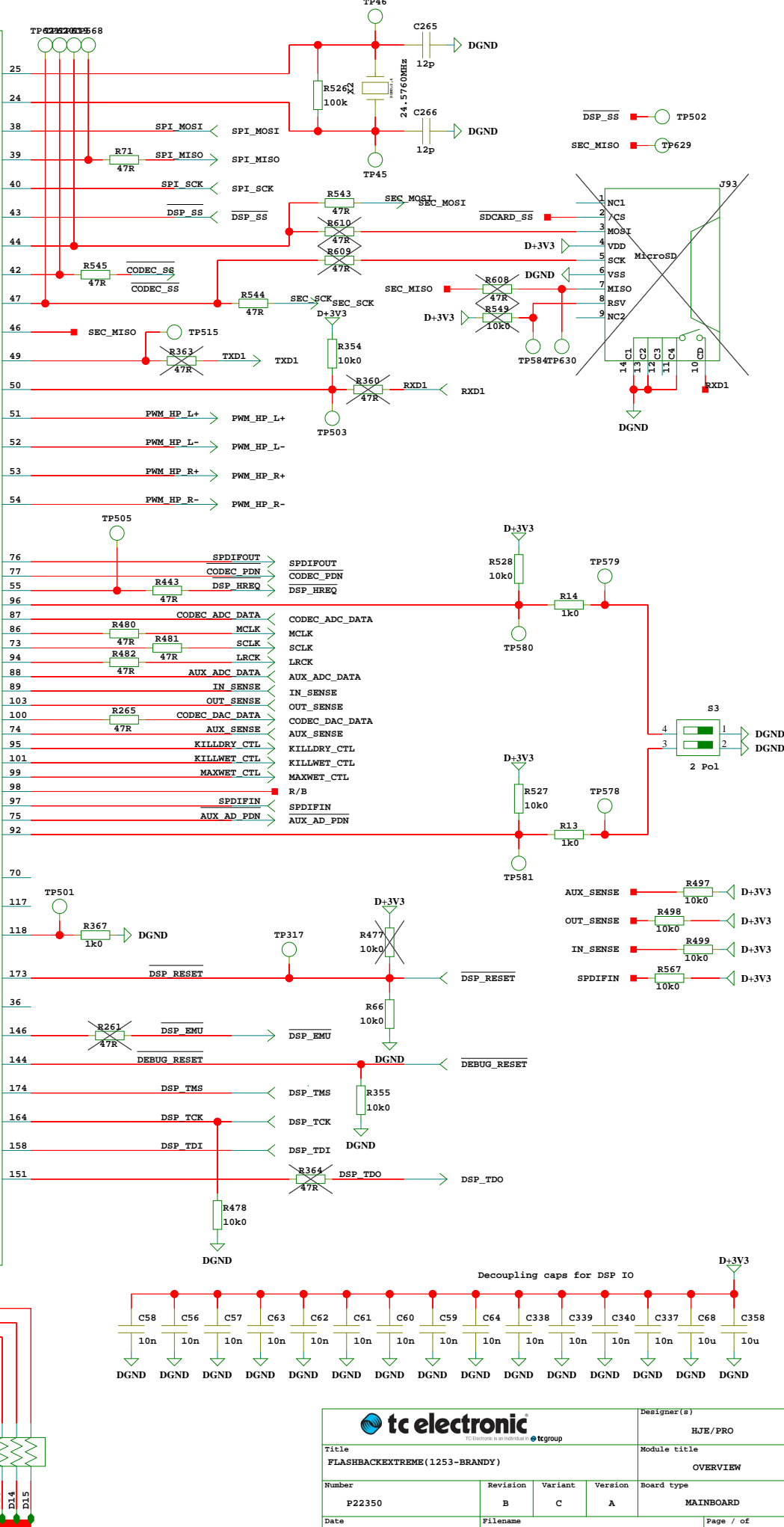
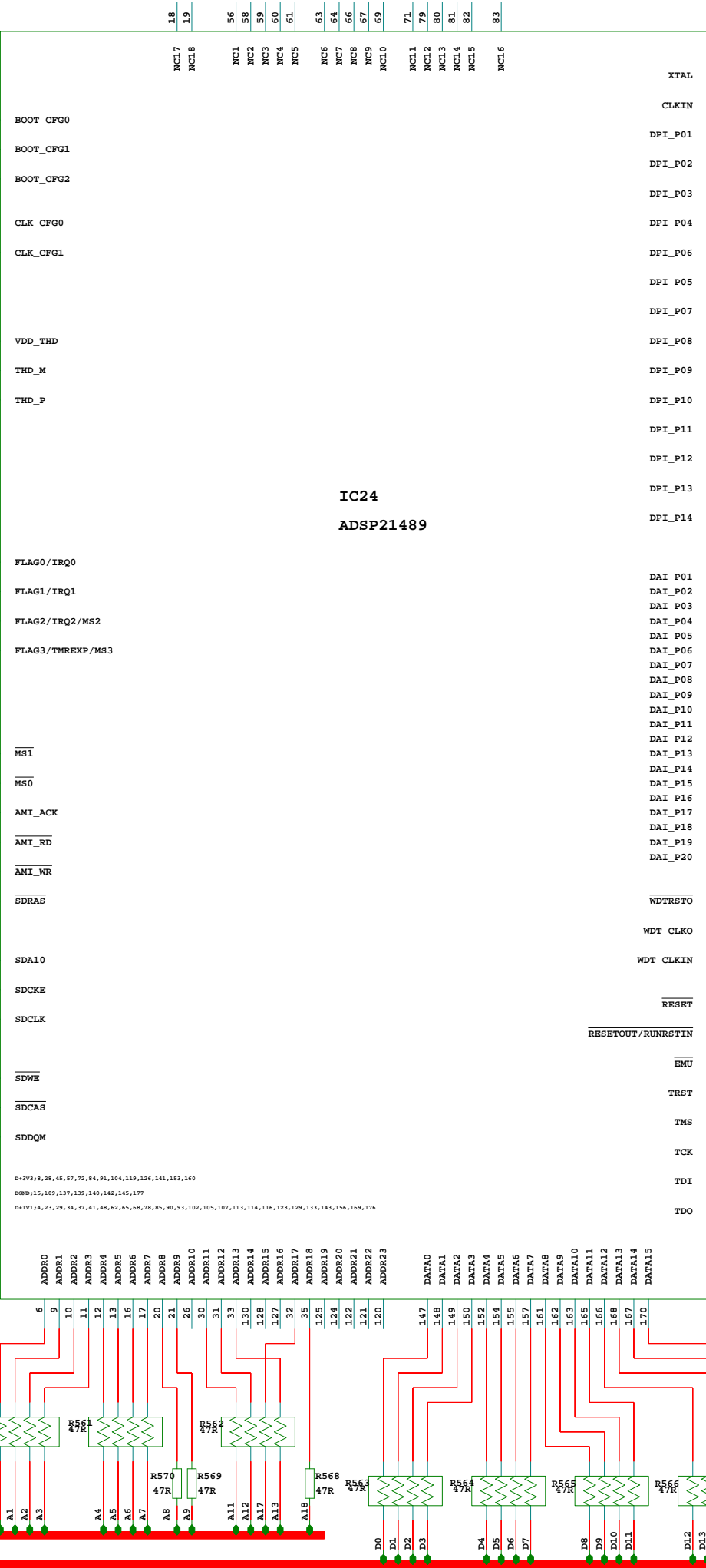
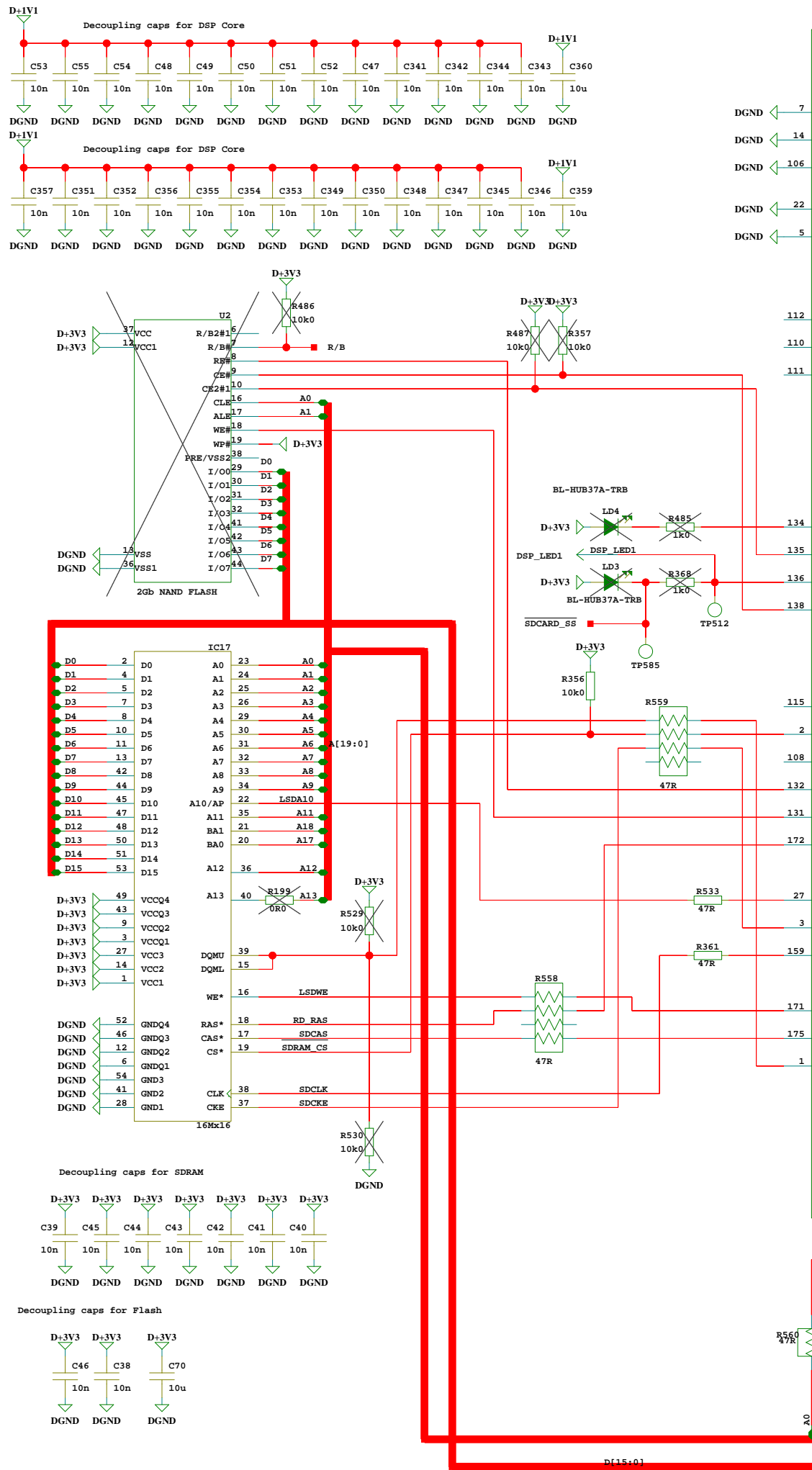


pcb  
M1  
P22350-B

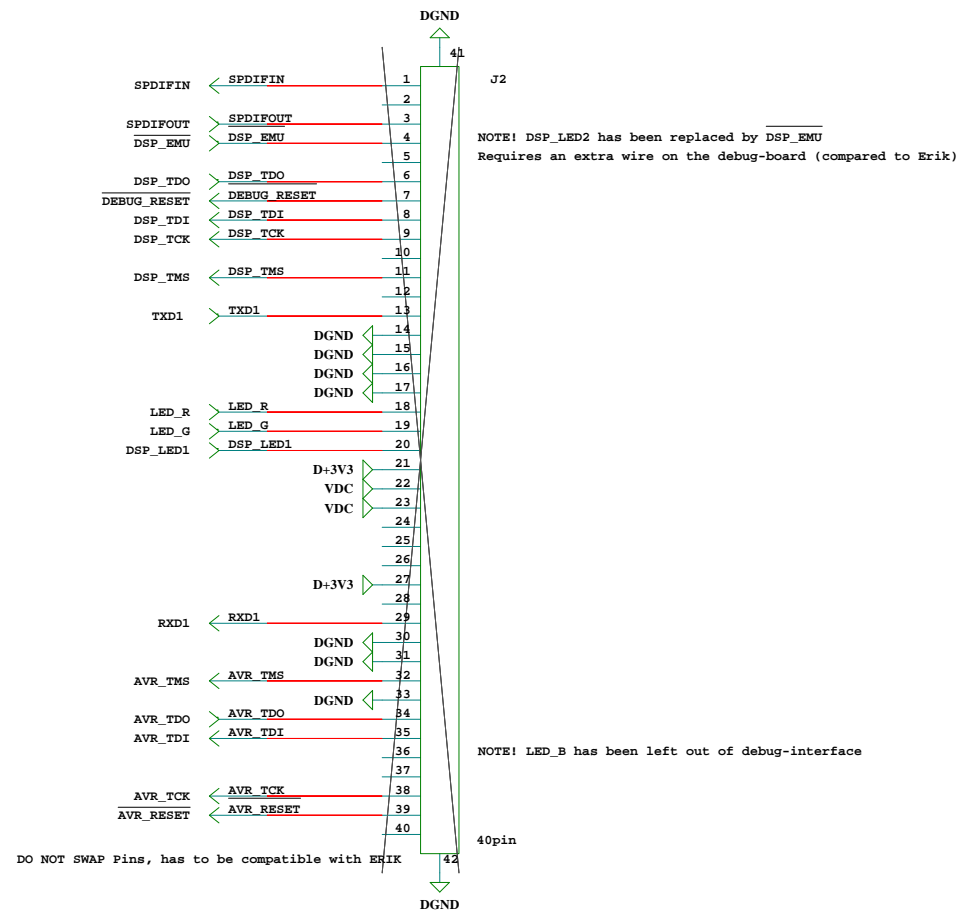
		Designer(s)	
Title FLASHBACKEXTREME(1253-BRANDY)		HJE/PRO	
Number P22350		Module title OVERVIEW	
Revision B	Variant C	Version A	Board type MAINBOARD
Date 13/03/2014:11:16	Filename P22350-B	Page / of 1 / 8	

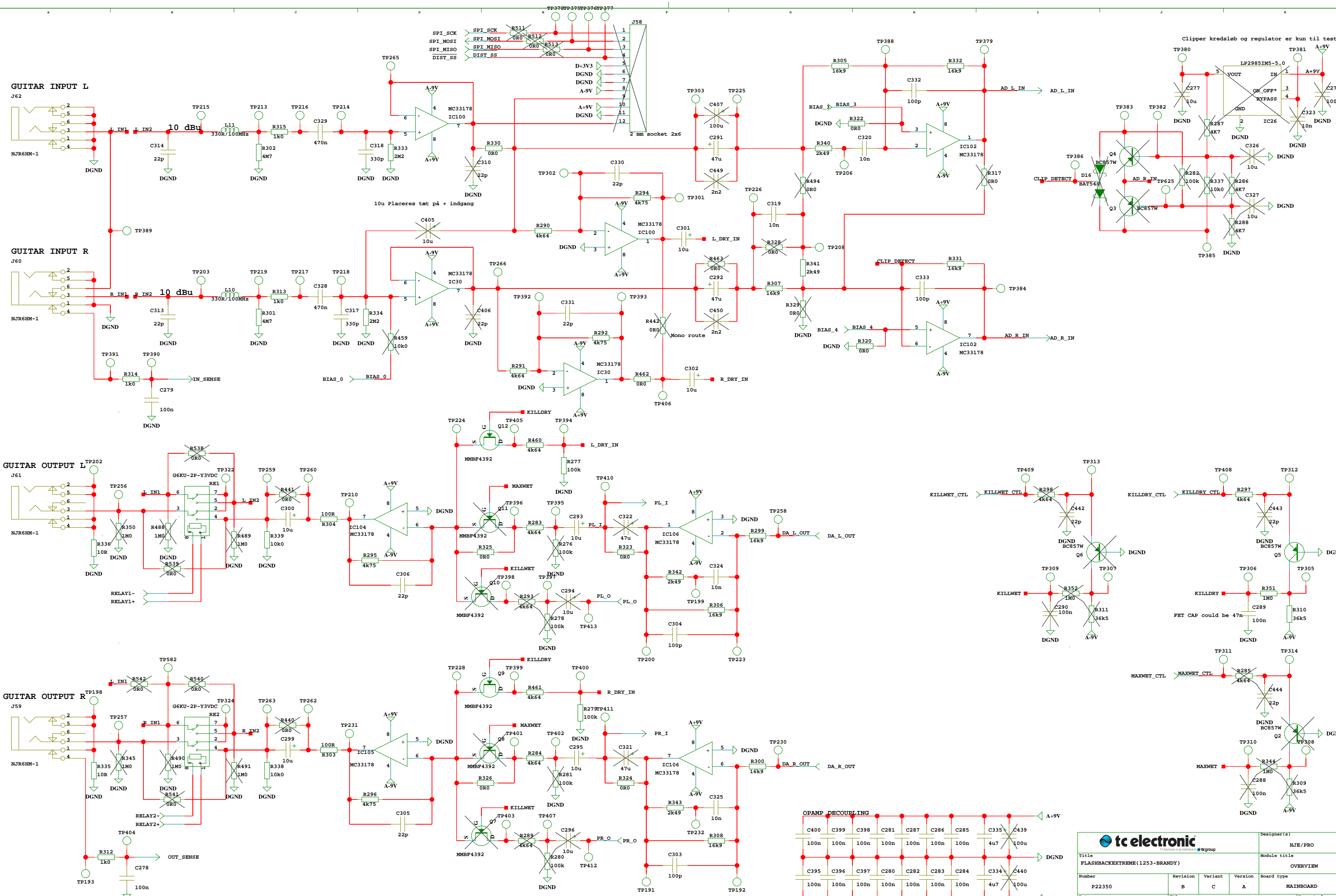


<b>tc electronic</b> <small>TC Electronic is a member of the kgroup</small>				Designer(s) HJE/PRO	
Title FLASHBACKEXTREME(1253-BRANDY)				Module title OVERVIEW	
Number P22350	Revision B	Variant C	Version A	Board type MAINBOARD	
Date 13/03/2014:11:17	Filename uc_and_connects			Page / of 2 / 8	

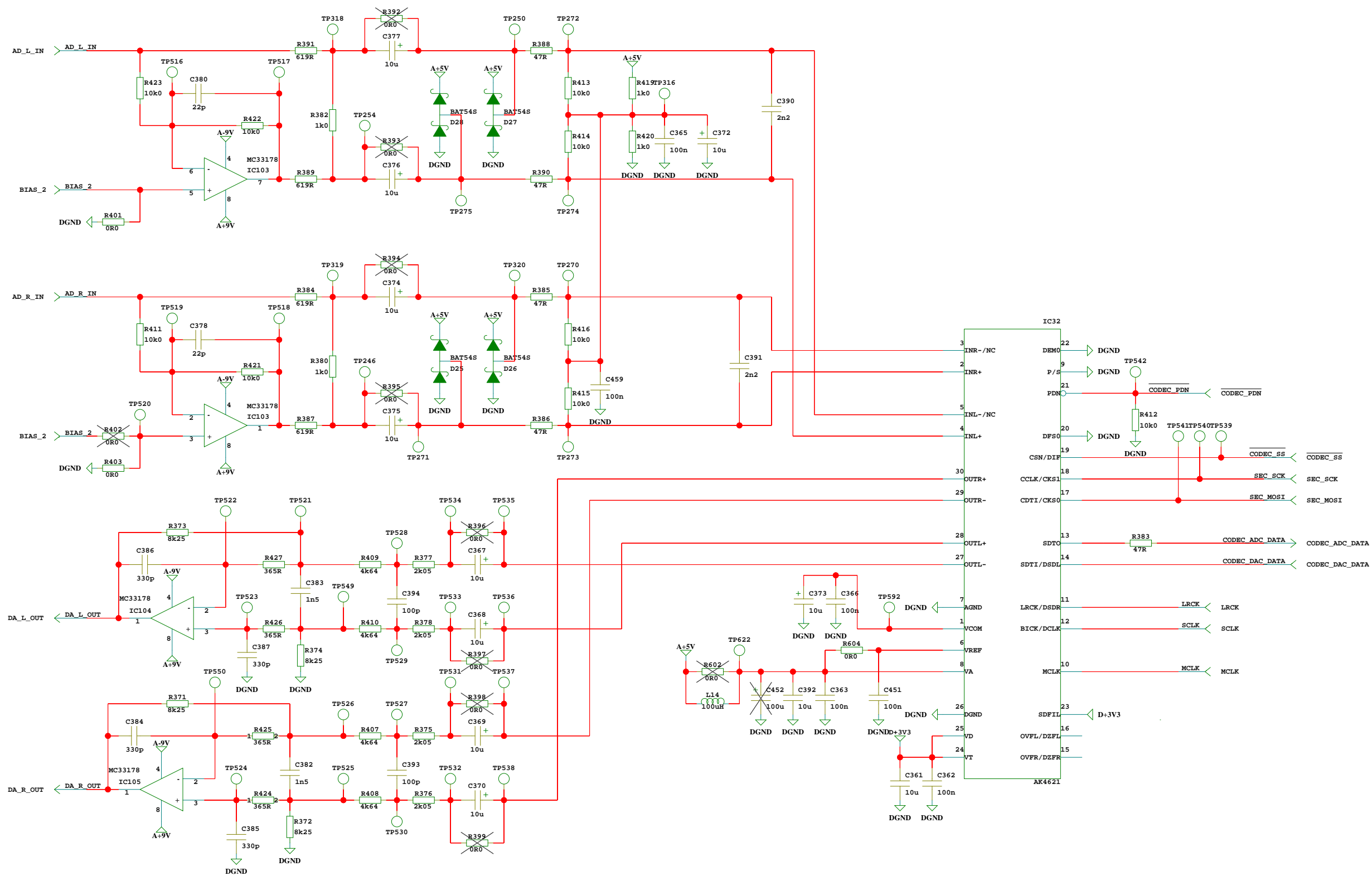


<b>tc electronic</b>		Designer(s)		HJE/PRO
Title		Revision		Module title
FLASHBACKEXTREME(1253-BRANDY)		Variant		OVERVIEW
Number	P22350	Version	A	Board type
Date	13/03/2014:11:17	Filename	dsp	Page / of
				3 / 8

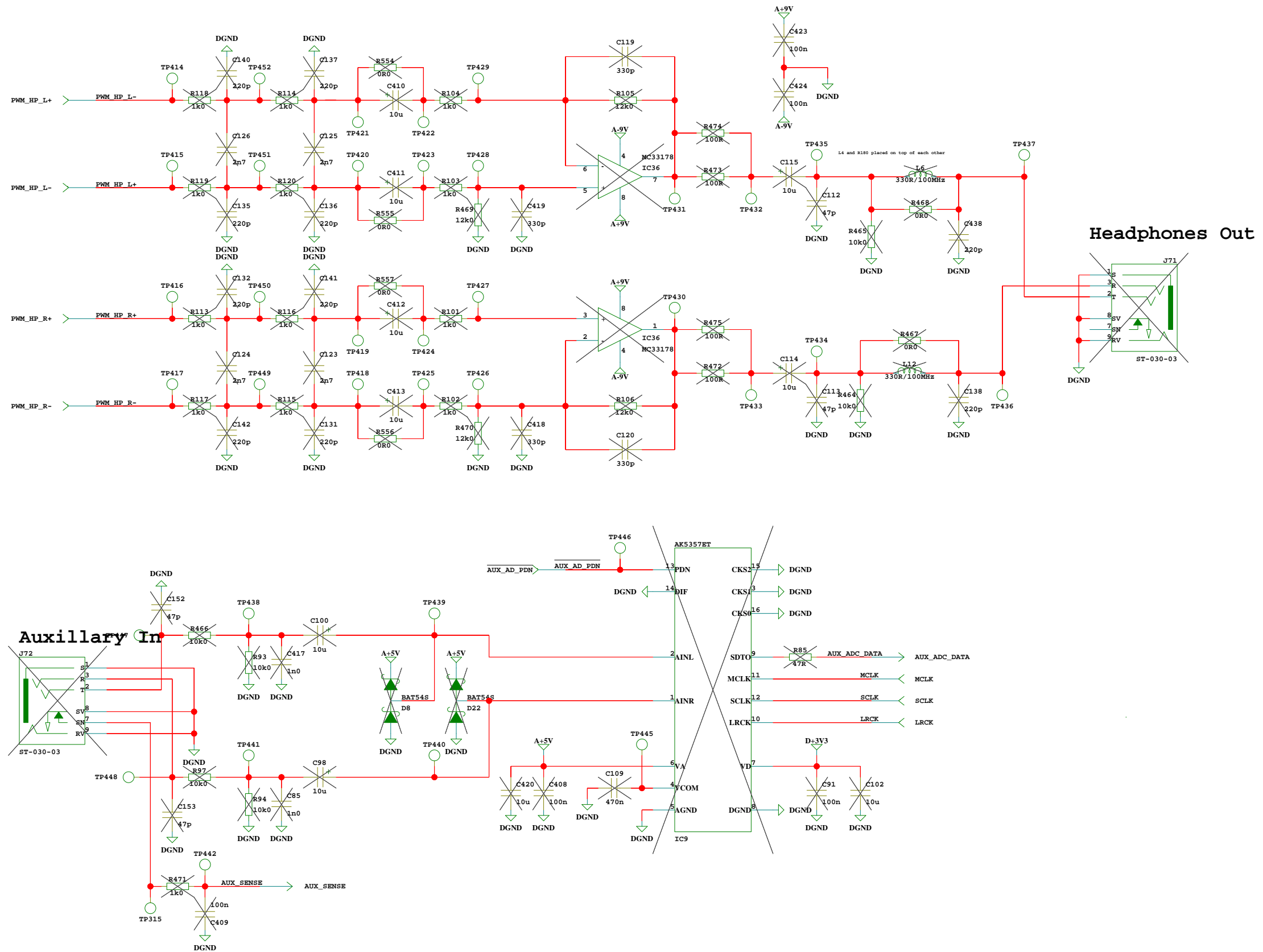




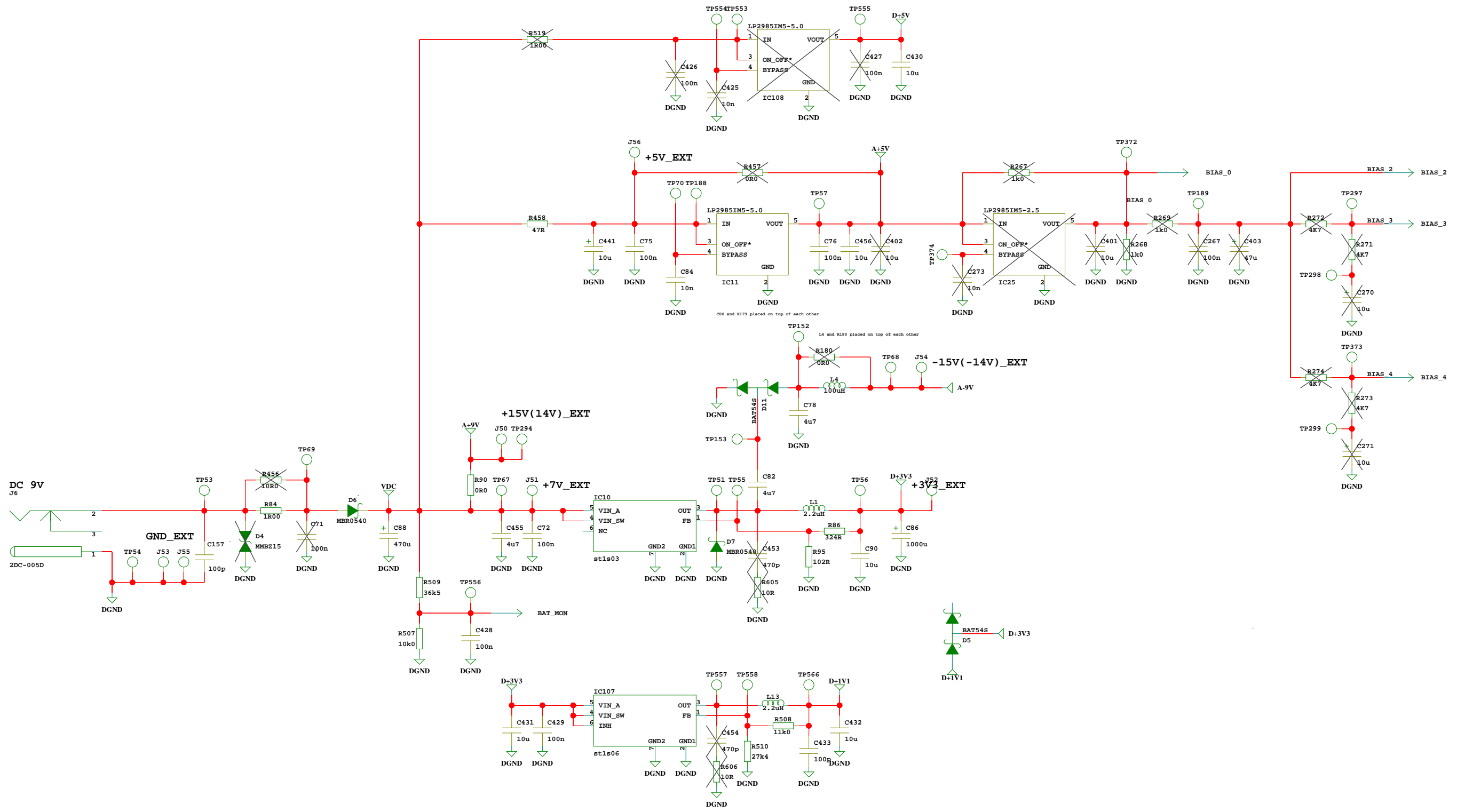
		Designer(s)		HJE/PRO
		Module title		OVERVIEW
Number	Revision	Variant	Version	Board type
F22350	B	C	A	MAINBOARD
Date	Filename			Page / of
13/03/2014:11:17	analog			5 / 8



				Designer(s)	
				HJE/PRO	
Title				Module title	
FLASHBACKEXTREME (1253-BRANDY)				OVERVIEW	
Number	Revision	Variant	Version	Board type	
P22350	B	C	A	MAINBOARD	
Date	Filename	Page / of			
13/03/2014:11:17	Codec	6 / 8			



				Designer(s)	
Title FLASHBACKEXTREME(1253-BRANDY)				HJE/PRO	
Number F22350				Module title OVERVIEW	
Revision B		Variant C	Version A	Board type MAINBOARD	
Date 13/03/2014:11:17		Filename phones_aux		Page / of 7 / 8	



		Designer(s)		
		HJE/PRO		
Title		Module title		
FLASHBACKEXTREME(1253-BRANDY)		OVERVIEW		
Number	Revision	Variant	Version	Board type
F22350	B	C	A	MAINBOARD
Date	Filename	Page / of		
13/03/2014:11:17	power	8 / 8		