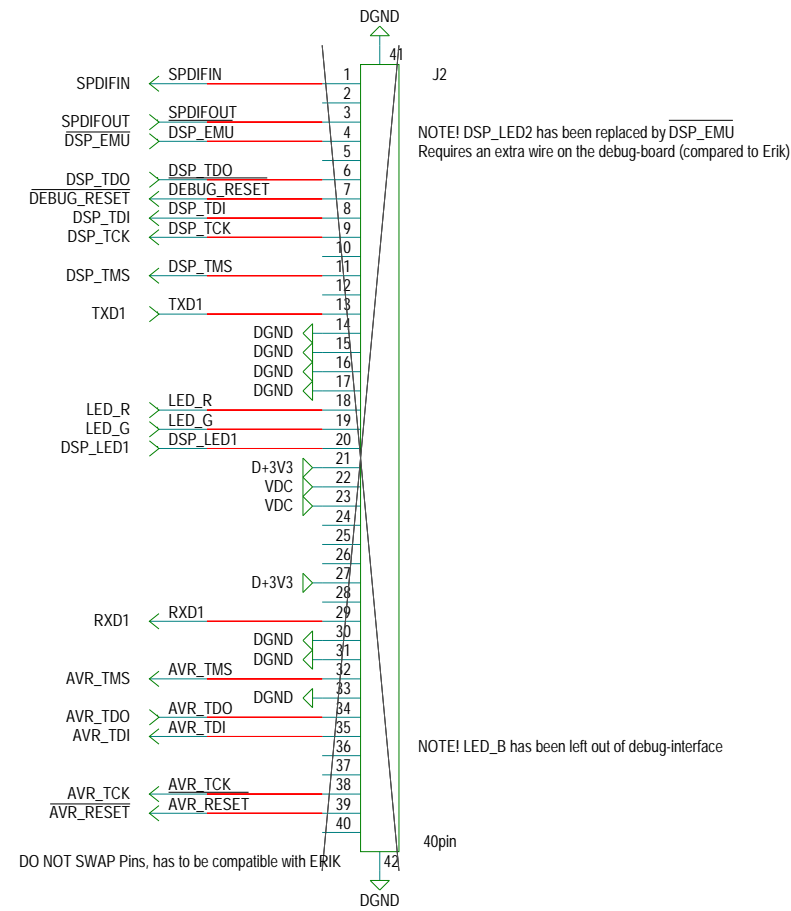
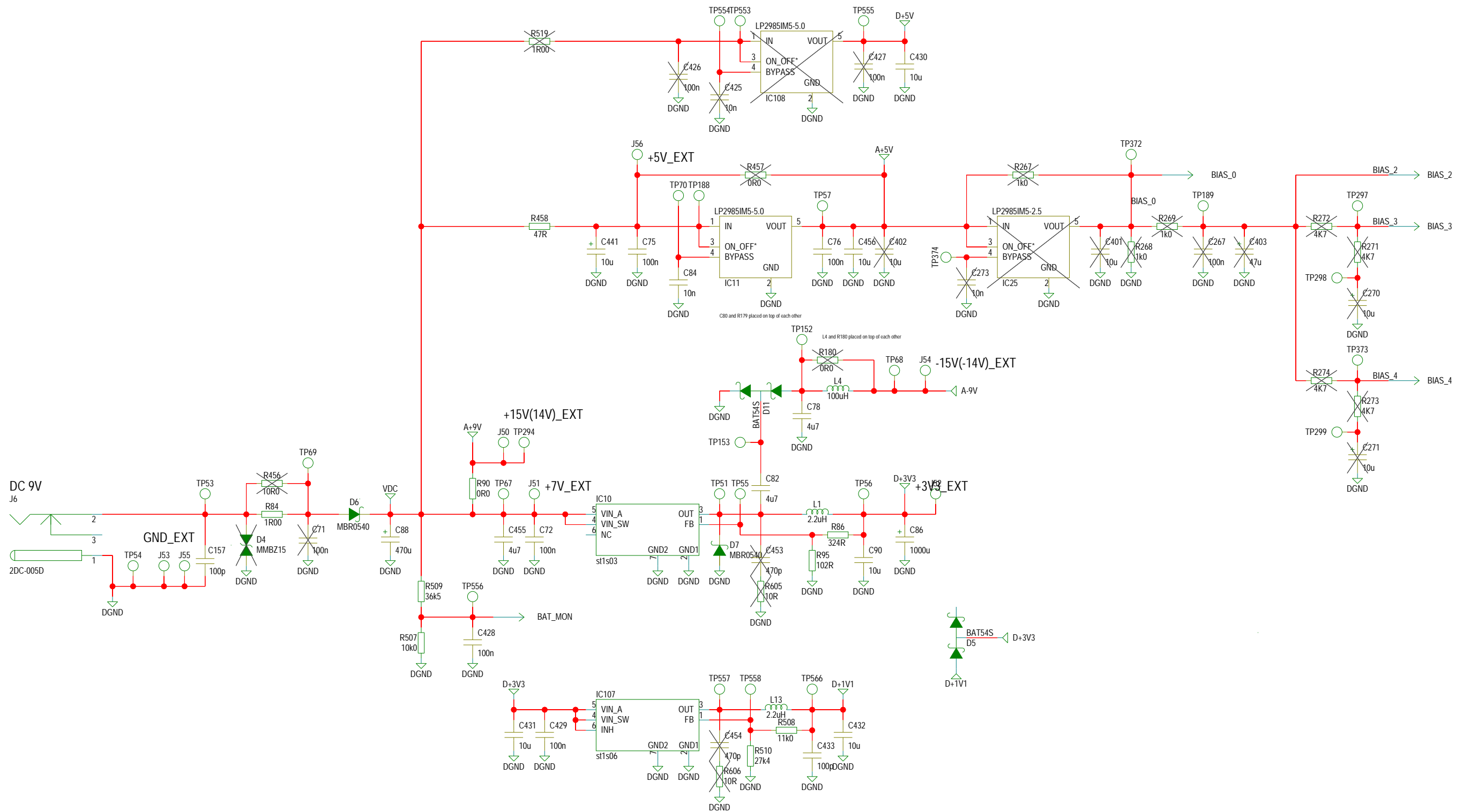
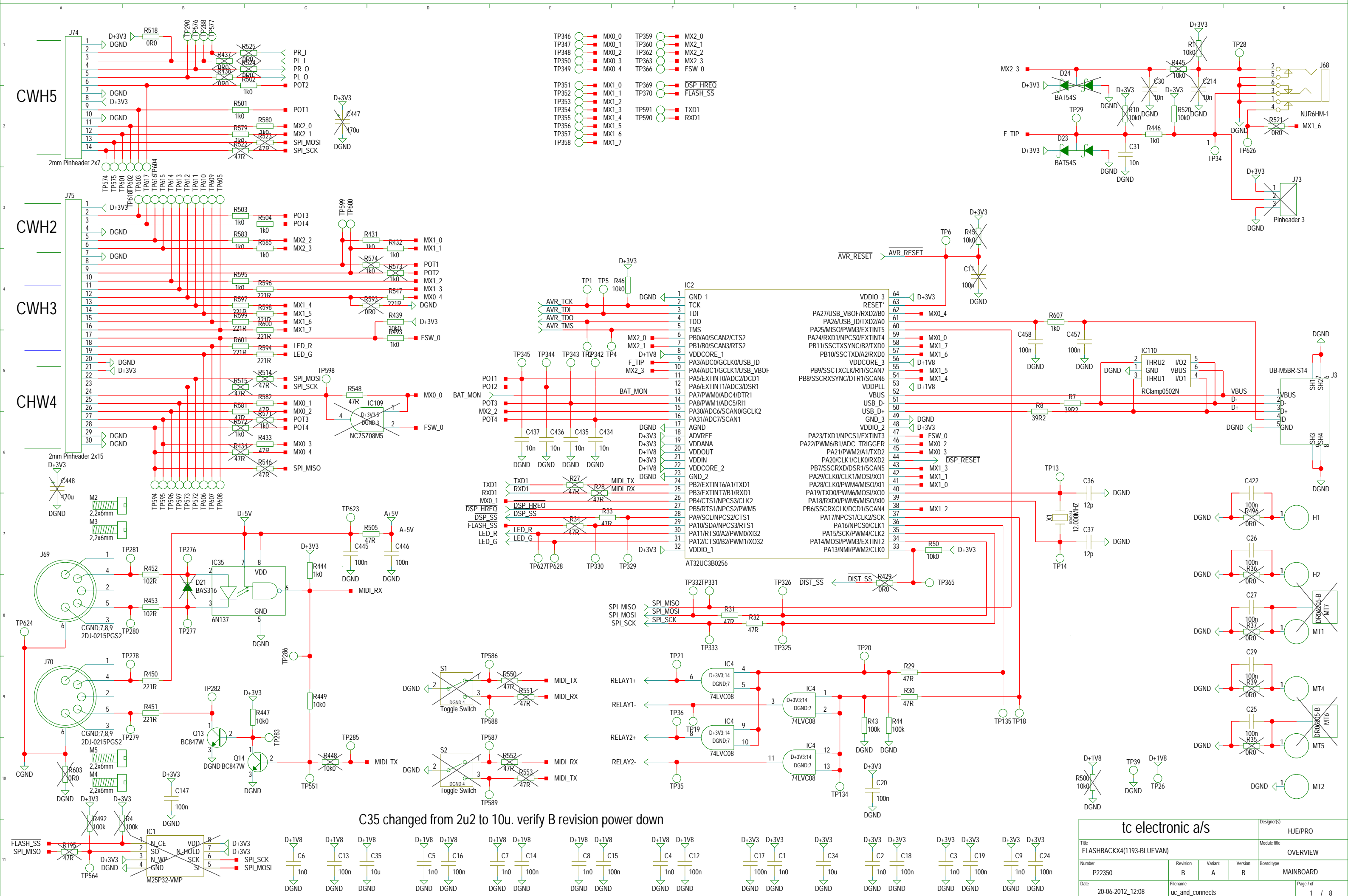


M1
P22350-B

tc electronic a/s				Designer(s)	HJE/PRO
Title FLASHBACKX4(1193-BLUEVAN)				Module title OVERVIEW	
Number P22350	Revision B	Variant A	Version B	Board type MAINBOARD	
Date 20-06-2012_12:07	Filename P22350-A			Page / of 1 / 8	





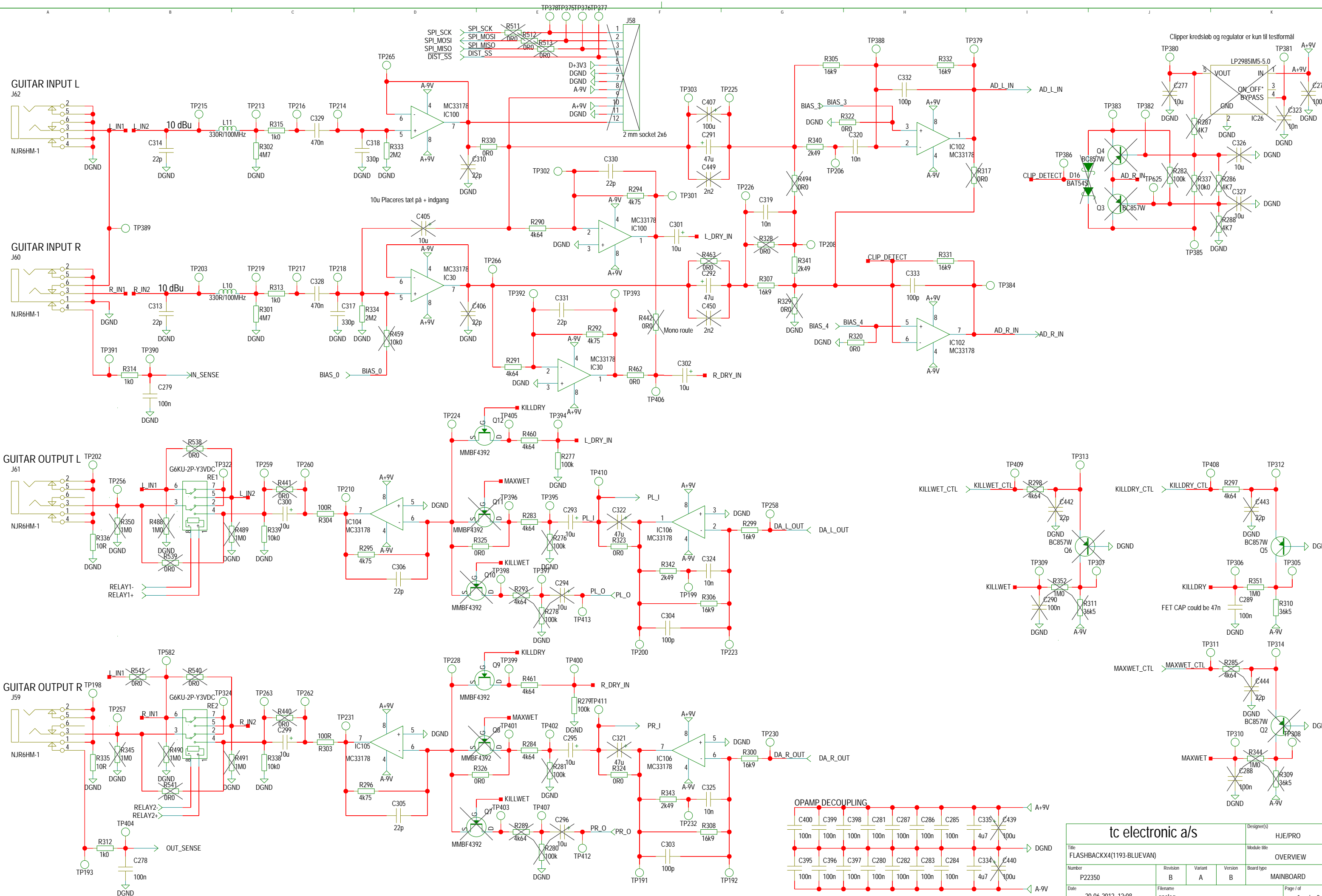


- TP346 ● MX0_0
- TP347 ● MX0_1
- TP348 ● MX0_2
- TP350 ● MX0_3
- TP349 ● MX0_4
- TP351 ● MX1_0
- TP352 ● MX1_1
- TP353 ● MX1_2
- TP354 ● MX1_3
- TP355 ● MX1_4
- TP356 ● MX1_5
- TP357 ● MX1_6
- TP358 ● MX1_7
- TP359 ● MX2_0
- TP360 ● MX2_1
- TP362 ● MX2_2
- TP363 ● MX2_3
- TP366 ● FSW_0
- TP369 ● DSP_HREQ
- TP370 ● FLASH_SS
- TP591 ● TXD1
- TP590 ● RXD1

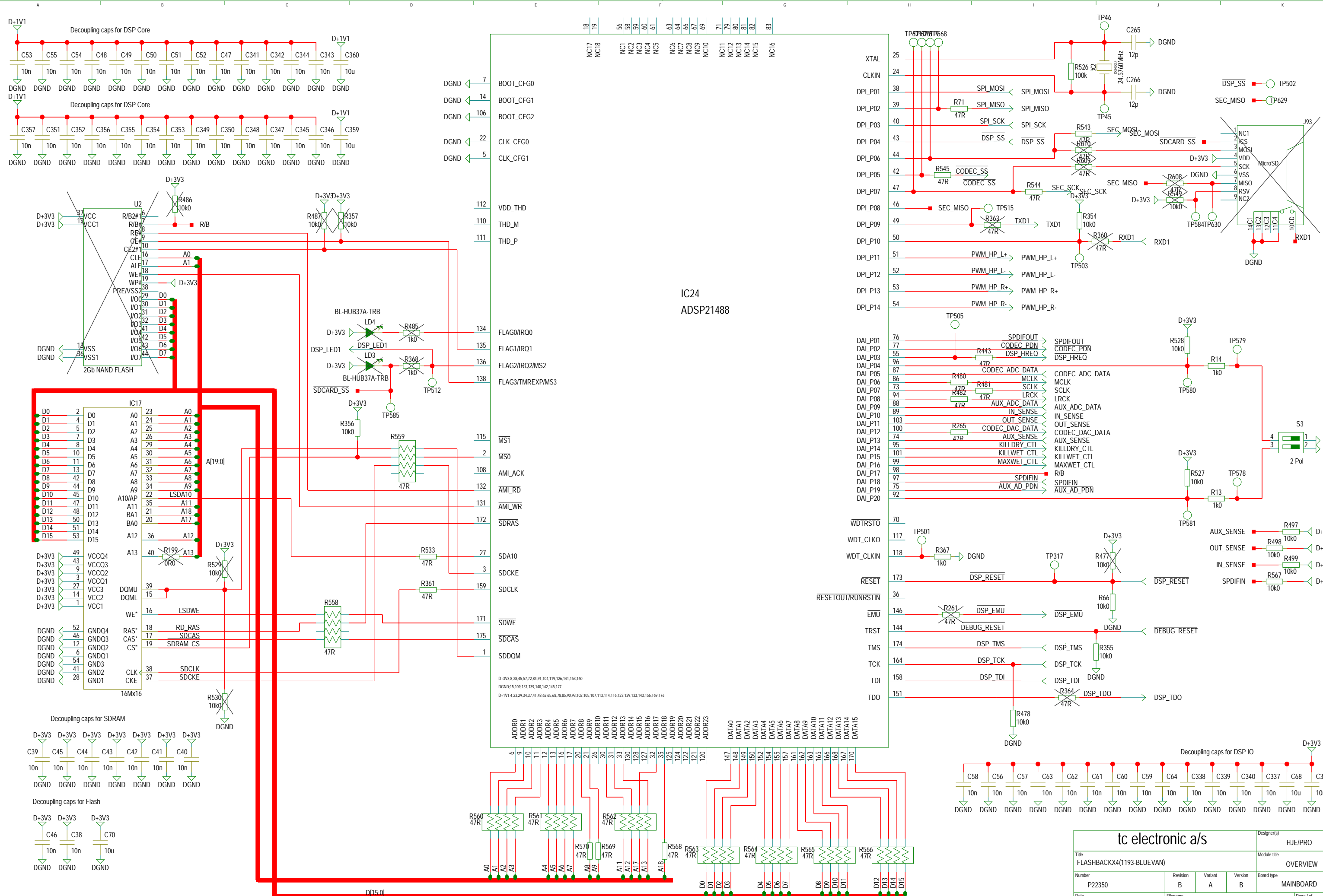
- TP1 ● AVR_TCK
- TP5 ● AVR_TDI
- TP5 ● AVR_TDO
- TP5 ● AVR_TMS
- TP1 ● MX2_0
- TP5 ● MX2_1
- TP5 ● MX2_2
- TP5 ● MX2_3
- TP345 ● TXD1
- TP344 ● RXD1
- TP343 ● TXD0
- TP342 ● RXD0
- TP4 ● TXD1
- TP4 ● RXD1
- TP330 ● TXD1
- TP329 ● RXD1
- TP333 ● TXD1
- TP325 ● RXD1
- TP20 ● TXD1
- TP134 ● RXD1
- TP35 ● TXD1
- TP35 ● RXD1

C35 changed from 2u2 to 10u. verify B revision power down

tc electronic a/s				Designer(s)	HJE/PRO
Title FLASHBACKX4(1193-BLUEVAN)				Module title OVERVIEW	
Number P22350	Revision B	Variant A	Version B	Board type MAINBOARD	
Date 20-06-2012_12:08	Filename uc_and_connects	Page 1 / 8			

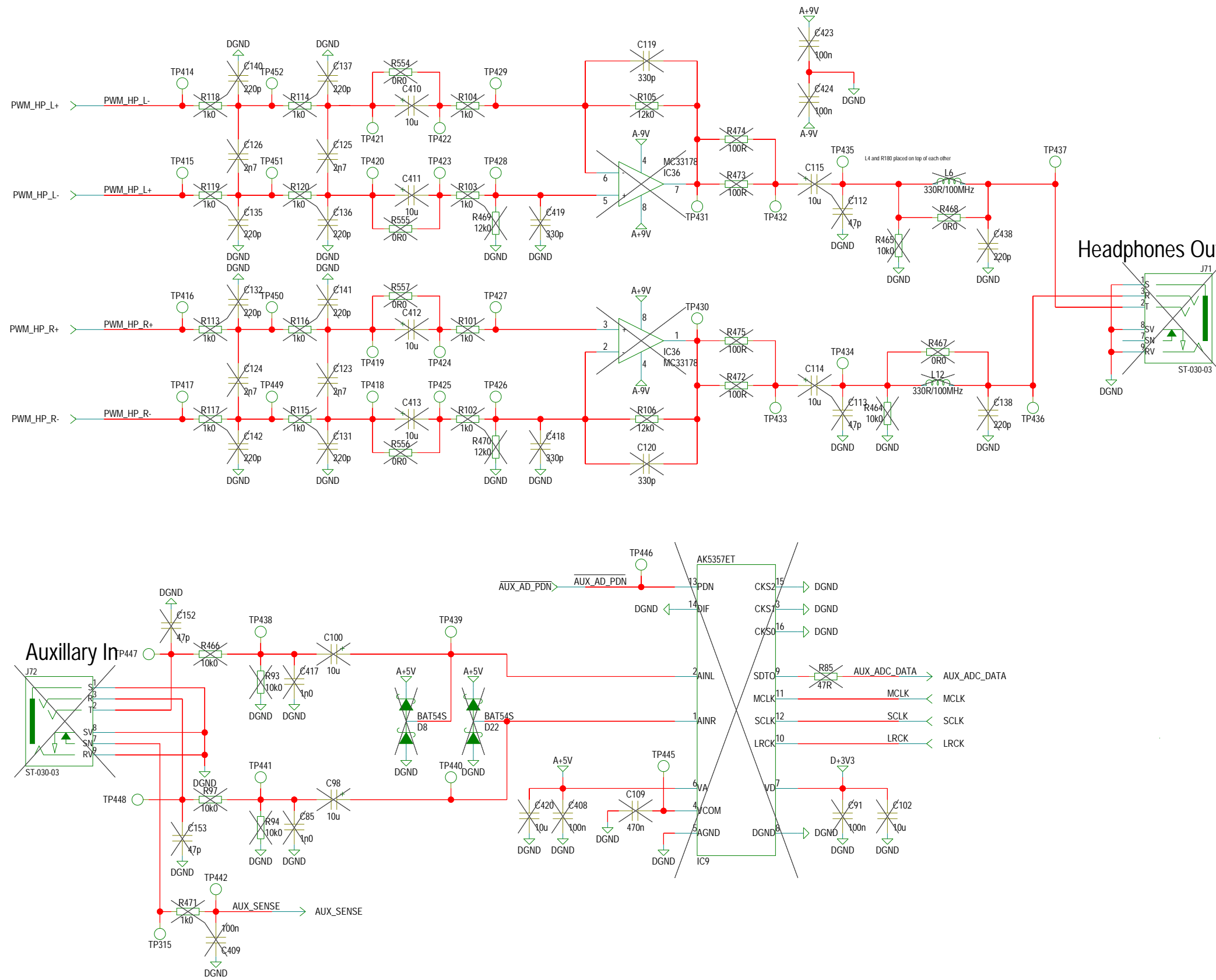


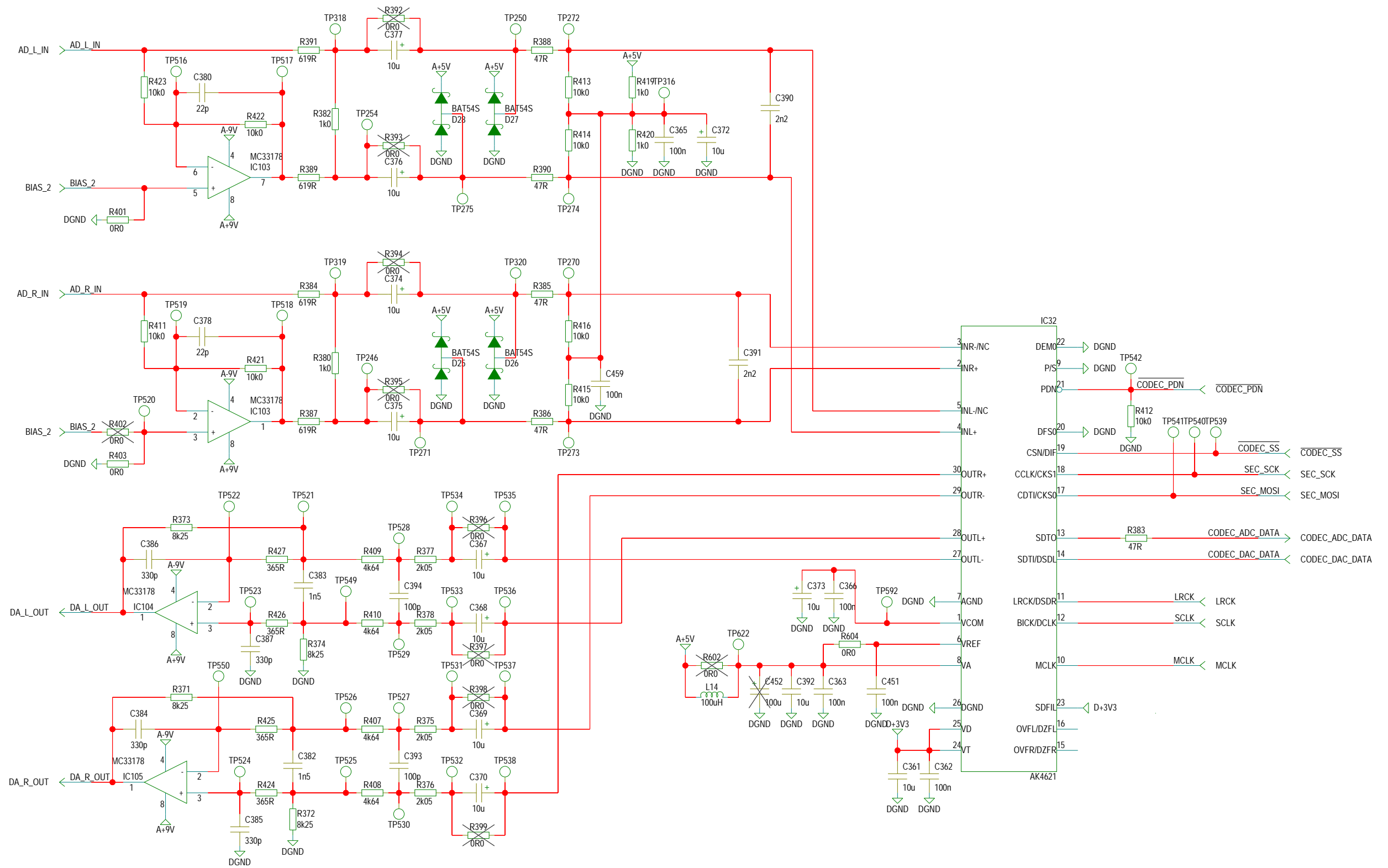
tc electronic a/s				Designer(s)	HJE/PRO
Title FLASHBACKX4(1193-BLUEVAN)				Module title OVERVIEW	
Number P22350	Revision B	Variant A	Version B	Board type MAINBOARD	
Date 20-06-2012_12:08	Filename analog			Page / of 1 / 8	



D-+3V3: 28, 45, 57, 72, 84, 91, 104, 119, 126, 141, 153, 160
 DGND: 15, 109, 137, 139, 140, 142, 145, 177
 D-+1V1: 4, 23, 29, 34, 37, 41, 48, 62, 65, 68, 78, 85, 90, 93, 102, 105, 107, 113, 114, 116, 123, 129, 133, 143, 156, 169, 176

tc electronic a/s				Designer(s) HJE/PRO	
Title FLASHBACKX4(1193-BLUEVAN)				Module title OVERVIEW	
Number P22350	Revision B	Variant A	Version B	Board type MAINBOARD	
Date 20-06-2012_12:08	Filename dsp	Page 1 of 8			





tc electronic a/s				Designer(s)	HJE/PRO
Title FLASHBACKX4(1193-BLUEVAN)				Module title OVERVIEW	
Number P22350	Revision B	Variant A	Version B	Board type MAINBOARD	
Date 20-06-2012_12:08	Filename Codec			Page / of 1 / 8	